



US00D692435S

(12) **United States Design Patent**
Bremenkamp

(10) **Patent No.:** **US D692,435 S**

(45) **Date of Patent:** **** Oct. 29, 2013**

(54) **COMPUTER PERIPHERAL DEVICE FOR A VEHICLE**

(75) Inventor: **Ralph Bremenkamp**, München (DE)

(73) Assignee: **Continental Automotive GmbH**, Hannover (DE)

(**) Term: **14 Years**

(21) Appl. No.: **29/410,497**

(22) Filed: **Jan. 9, 2012**

(30) **Foreign Application Priority Data**

Jul. 7, 2011 (EM) 001888413-0001

(51) **LOC (9) Cl.** **08-07**

(52) **U.S. Cl.**
USPC **D14/447**

(58) **Field of Classification Search**
USPC D14/432, 433, 434, 439, 440, 451, 452,
D14/239, 217, 224.1, 251, 252, 253, 457,
D14/458, 459, 460, 461; D6/406.1, 406.2,
D6/406.3, 406.4, 406.5, 406.6;
361/679.06, 679.21, 679.22, 679.24,
361/679.26, 679.27, 679.28, 679.3, 679.55,
361/679.56, 709; 248/917-924, 133, 136,
248/139, 150, 176.1, 188.6; D13/108, 110;
D12/415, 416

See application file for complete search history.

(56) **References Cited**

U.S. PATENT DOCUMENTS

D376,805 S * 12/1996 Johansson D14/253

D381,338 S * 7/1997 Johansson D14/253
D431,019 S * 9/2000 Richter D12/426.1
D557,259 S * 12/2007 Hirsch D14/217
D560,592 S * 1/2008 Brassard D12/415
D619,079 S * 7/2010 Bailo D12/416
D640,247 S * 6/2011 Baumann et al. D14/253
D645,462 S * 9/2011 Choi D14/253
D649,153 S * 11/2011 Symons D14/447
D663,735 S * 7/2012 Musselman D14/447
D667,012 S * 9/2012 Chen et al. D14/447
D670,295 S * 11/2012 Prescott et al. D14/447
D674,381 S * 1/2013 Ma D14/253

* cited by examiner

Primary Examiner — Angela J Lee

(74) *Attorney, Agent, or Firm* — Cozen O'Connor

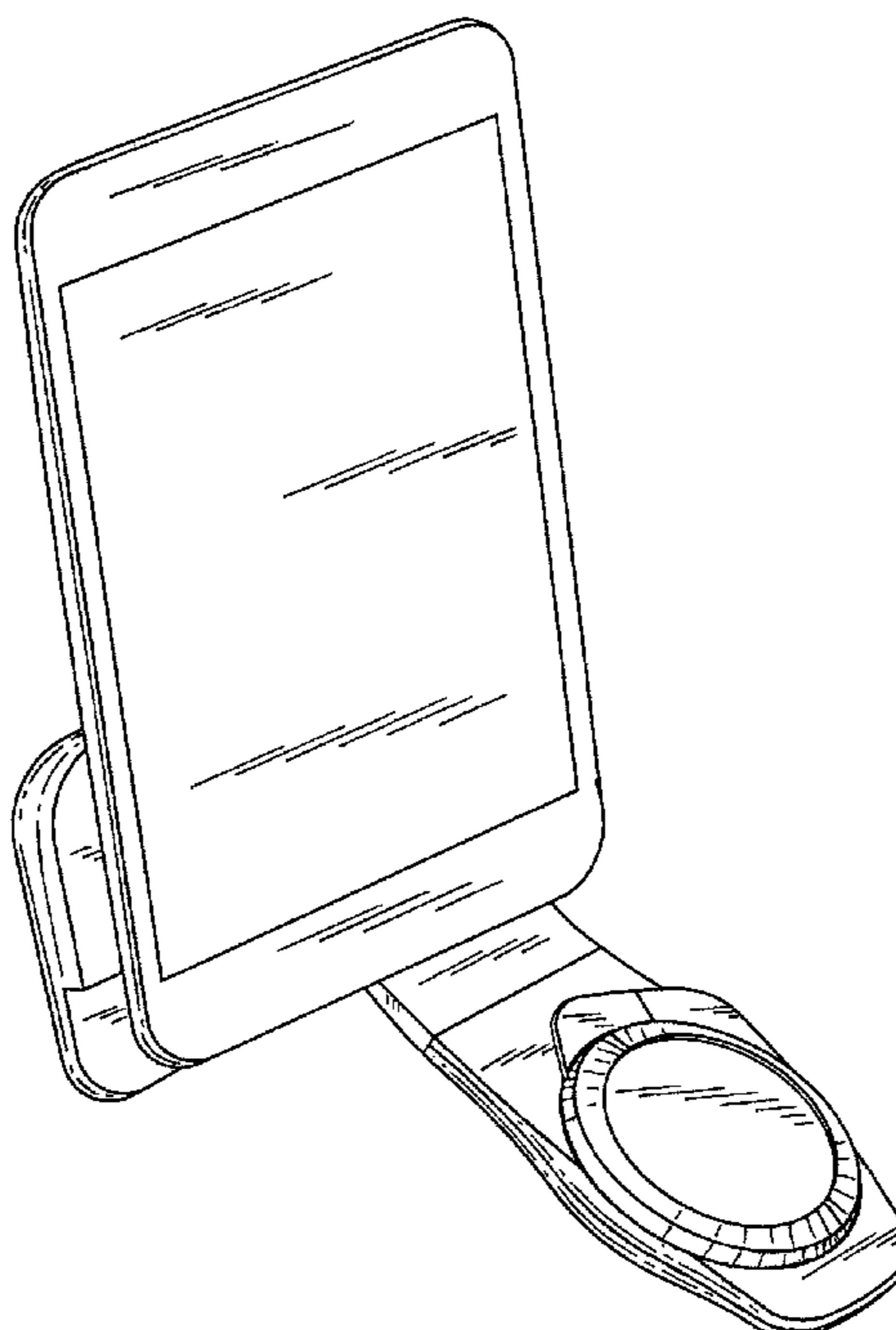
(57) **CLAIM**

I claim an ornamental design for a computer peripheral device for a vehicle, as shown and described.

DESCRIPTION

FIG. 1 is a perspective view of a computer peripheral device for a vehicle showing the present invention;
FIG. 2 is a front view thereof;
FIG. 3 is a side view thereof;
FIG. 4 is a rear view thereof;
FIG. 5 is a side view thereof;
FIG. 6 is a top view thereof; and,
FIG. 7 is a bottom view thereof.

1 Claim, 4 Drawing Sheets



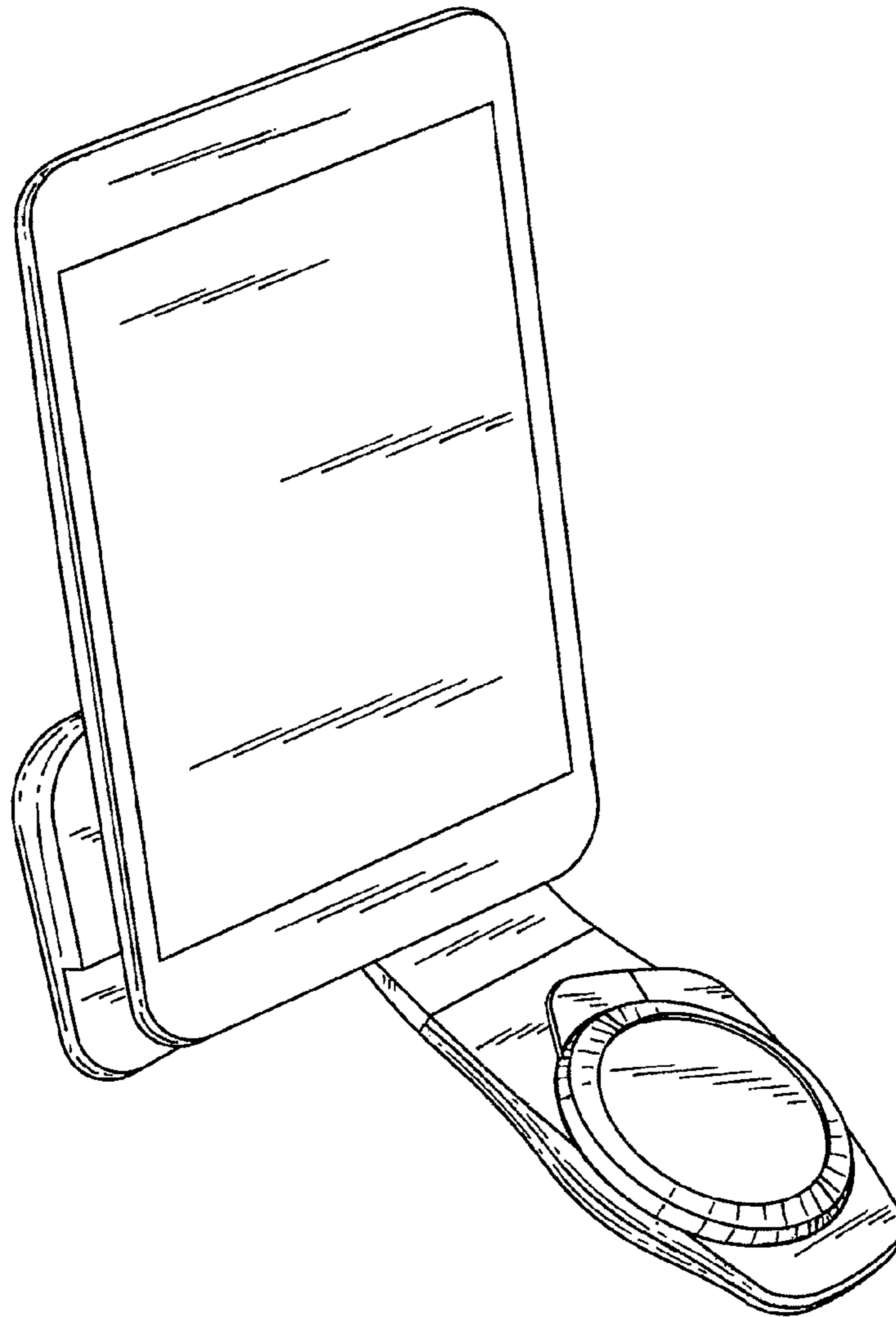


FIG. 1

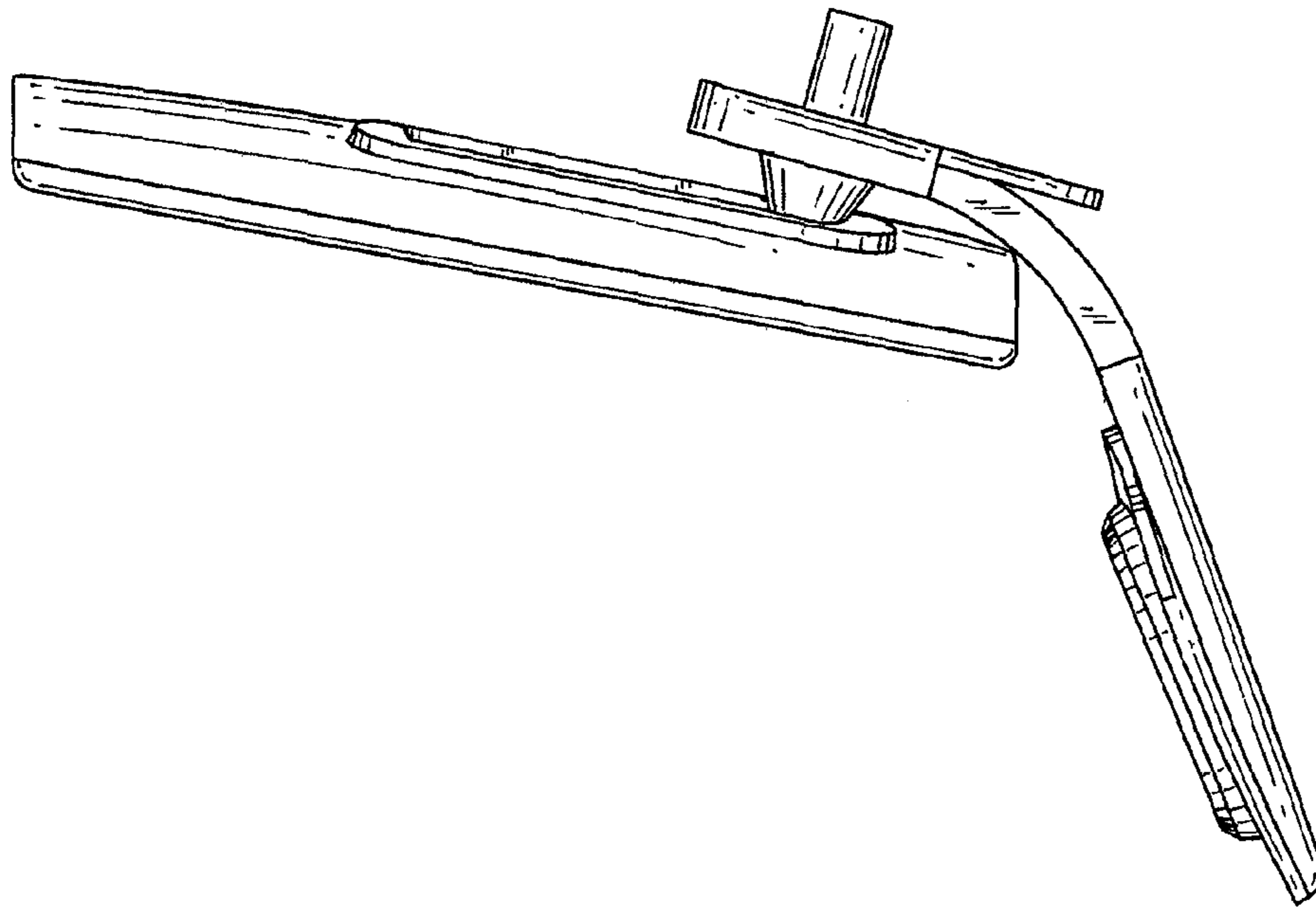


FIG. 3

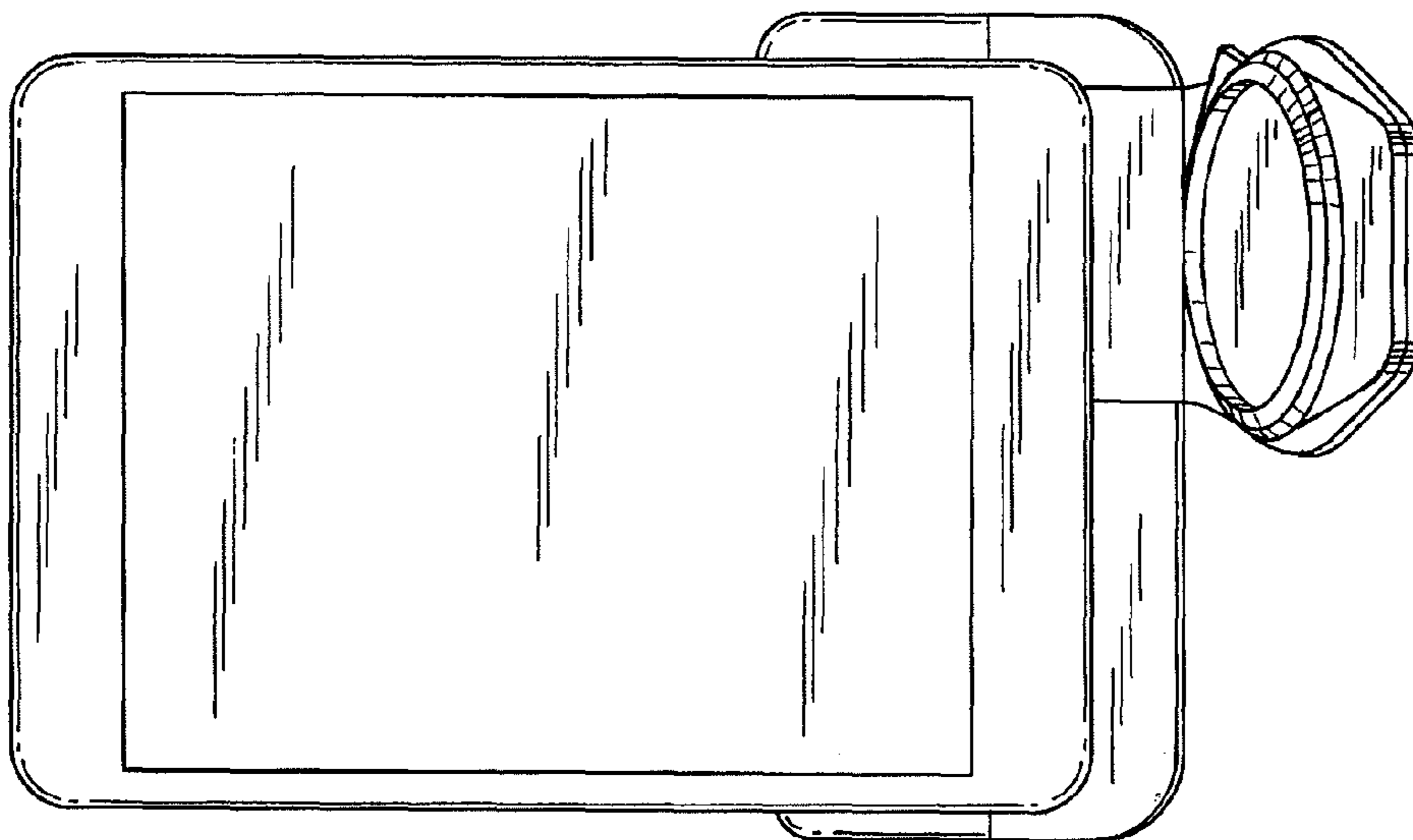


FIG. 2

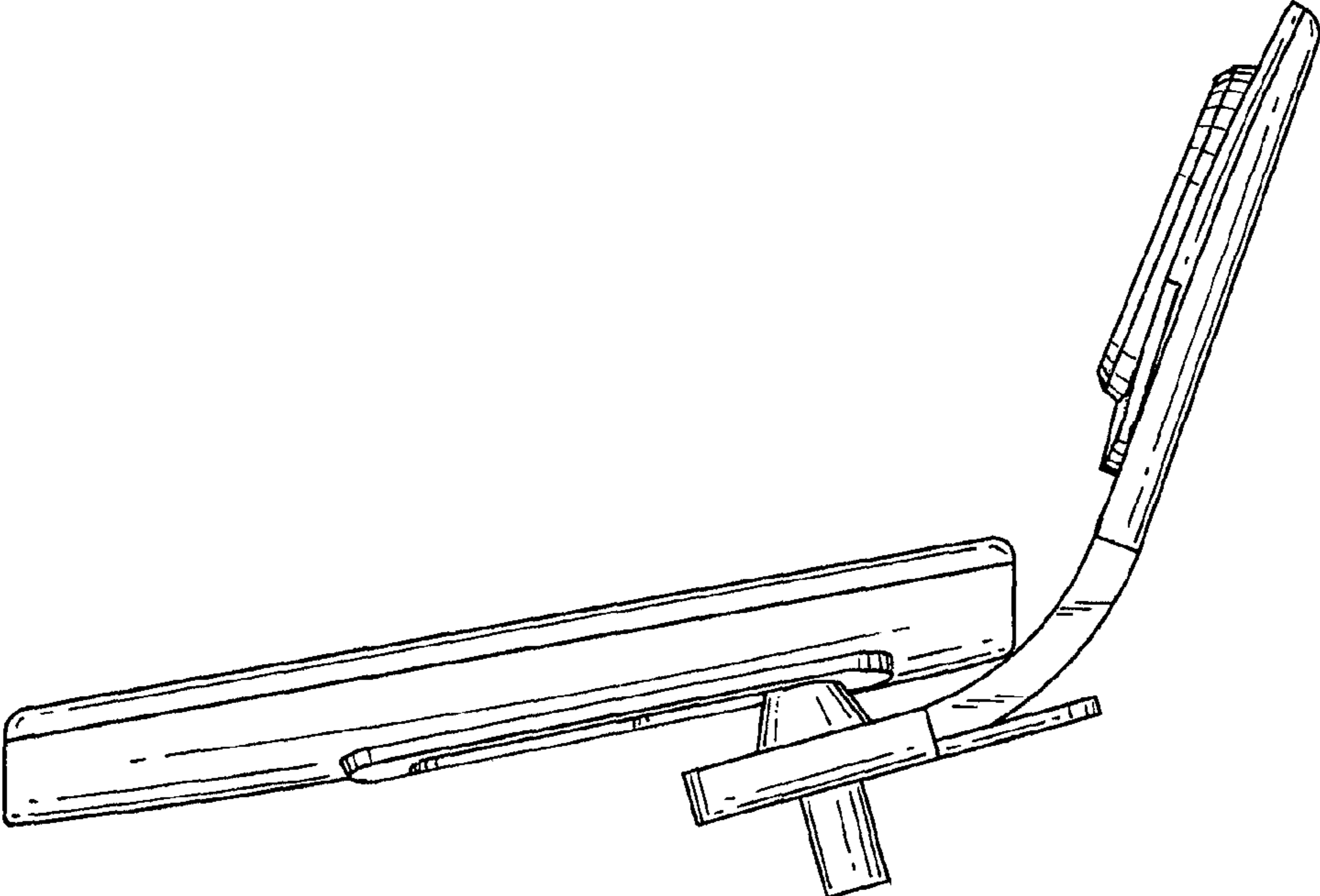


FIG. 5

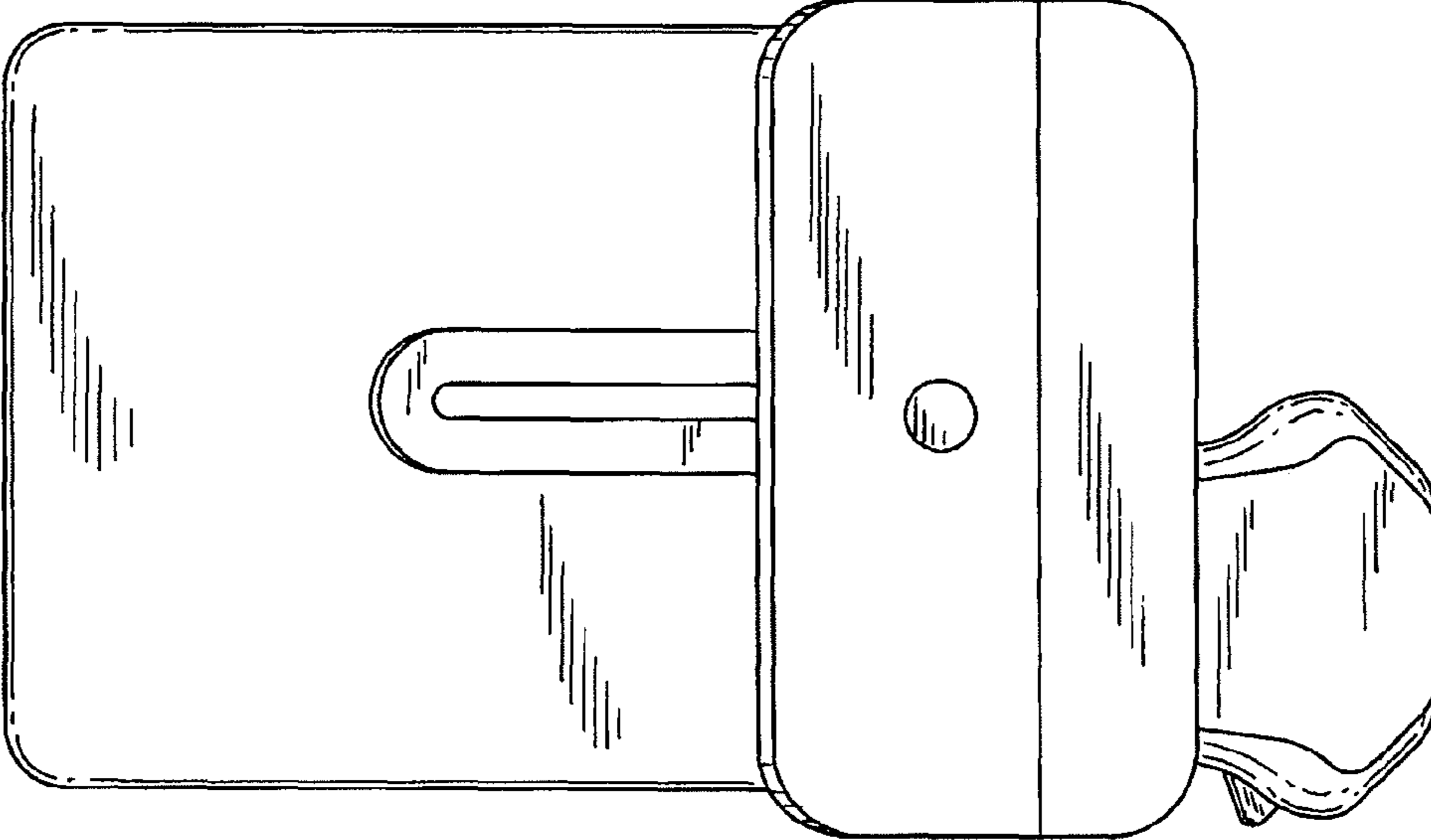


FIG. 4

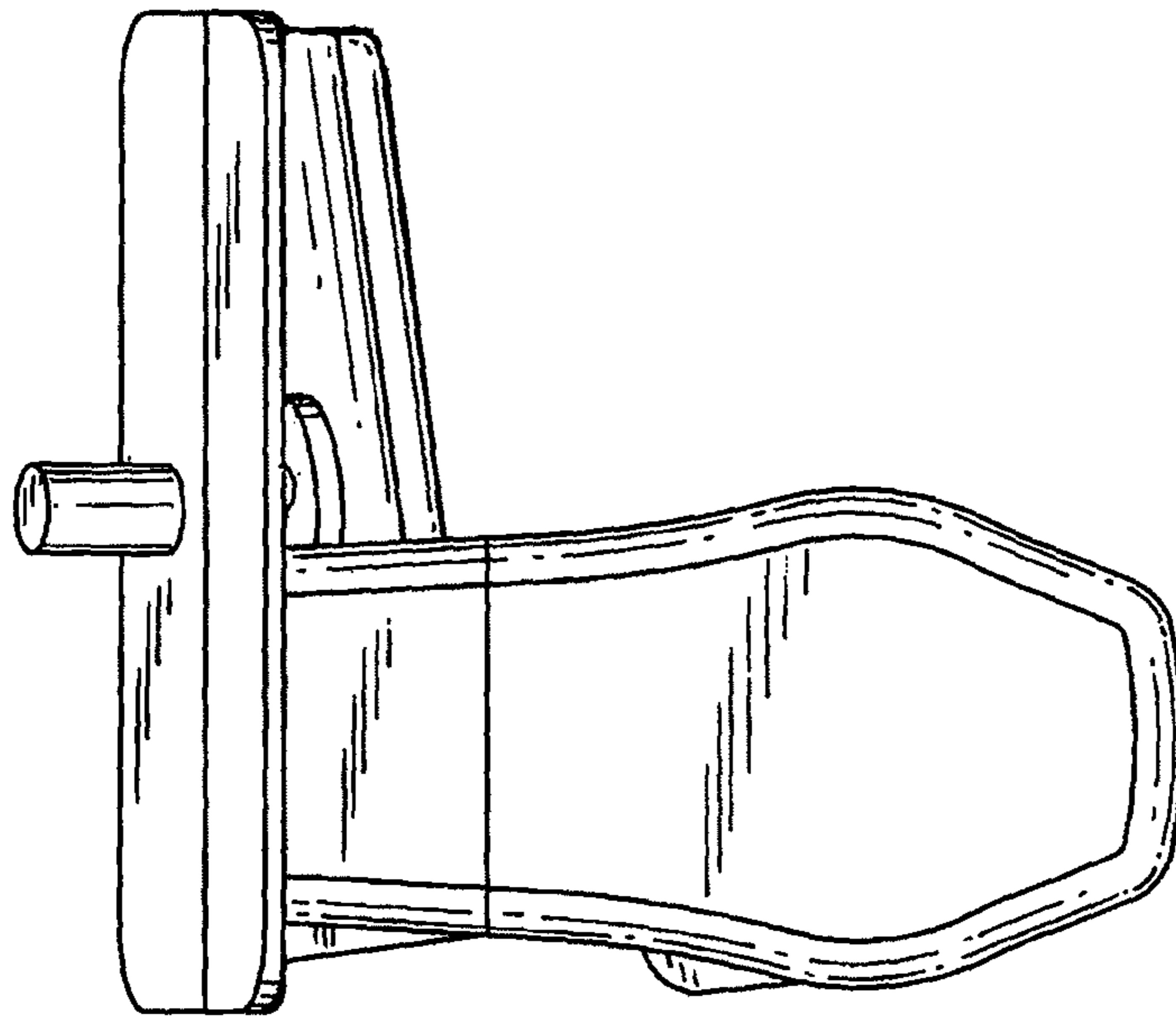


FIG. 7

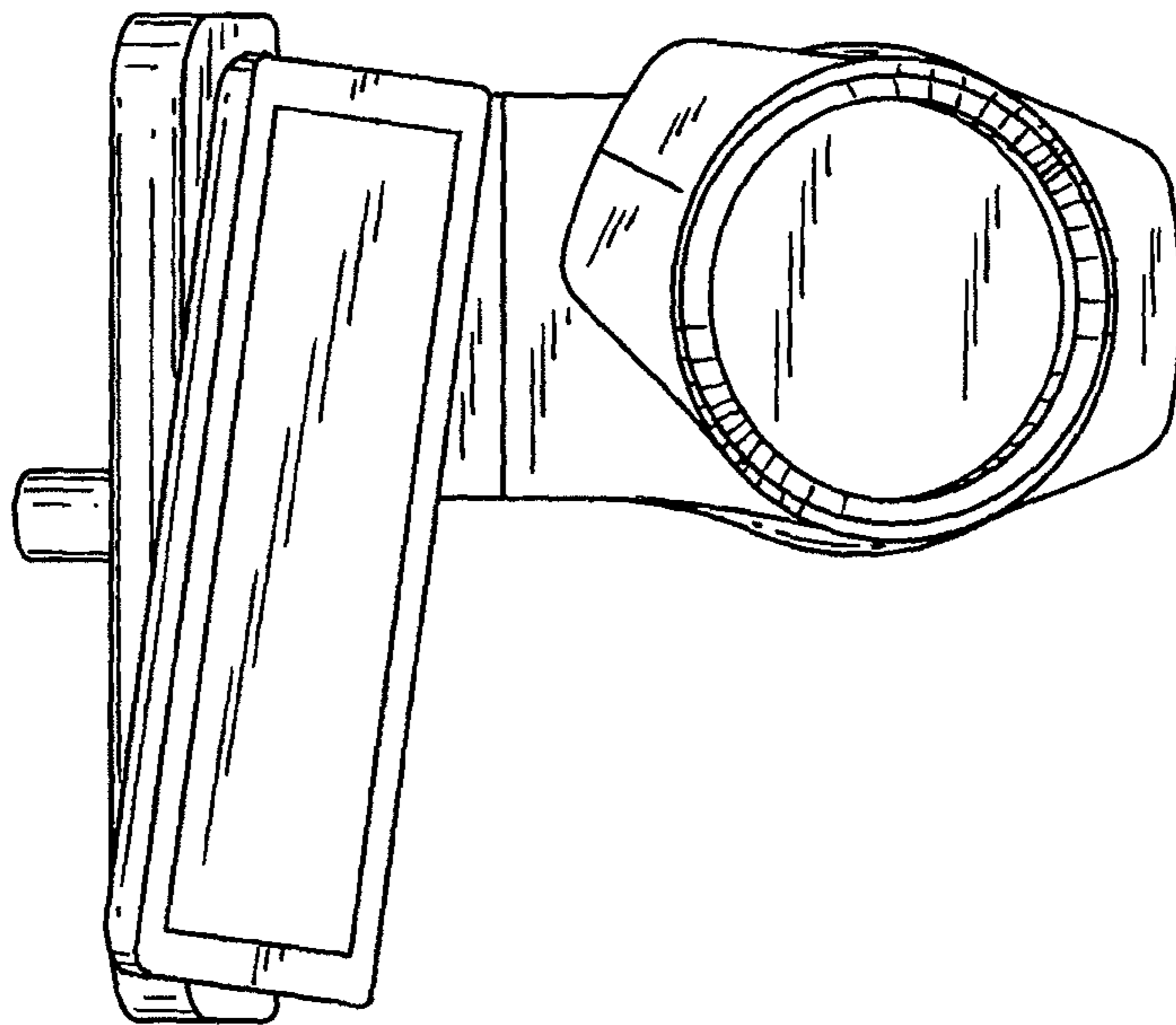


FIG. 6