



US00D692434S

(12) **United States Design Patent**
Kim

(10) **Patent No.:** **US D692,434 S**

(45) **Date of Patent:** **** Oct. 29, 2013**

(54) **CASE FOR TABLET PC**

(75) Inventor: **Dong Hun Kim**, Seoul (KR)

(73) Assignee: **Samsung Electronics Co., Ltd.**,
Gyeonggi-do (KR)

(**) Term: **14 Years**

(21) Appl. No.: **29/423,245**

(22) Filed: **May 30, 2012**

(51) **LOC (9) Cl.** **14-02**

(52) **U.S. Cl.**
USPC **D14/440**

(58) **Field of Classification Search**
USPC D14/250, 251, 253, 240, 217, 496, 440,
D14/203.3, 203.4, 203.5, 203.8, 341, 318;
D3/218, 215, 201, 294, 289, 900;
220/4.02; 248/309.1; 361/679.56;
379/426, 433.11, 455; 455/575.1,
455/575.8; 190/100; 206/305, 320;
D21/469

See application file for complete search history.

(56) **References Cited**

U.S. PATENT DOCUMENTS

| | | | | | |
|-----------|------|---------|--------------|-------|-----------|
| 1,370,279 | A * | 3/1921 | Burzynski | | 211/43 |
| 2,726,835 | A * | 12/1955 | Hummel | | 248/459 |
| D230,376 | S * | 2/1974 | Andrew | | D19/91 |
| 4,318,527 | A * | 3/1982 | Smith | | 248/459 |
| 7,318,521 | B2 * | 1/2008 | Lau | | 206/45.24 |
| D581,865 | S * | 12/2008 | Koza | | D13/102 |
| D663,304 | S * | 7/2012 | Akana et al. | | D14/440 |
| 8,230,992 | B2 * | 7/2012 | Law et al. | | 206/320 |

| | | | | | |
|--------------|------|---------|-----------------|-------|---------|
| 8,235,208 | B2 * | 8/2012 | Sirichai et al. | | 206/320 |
| 8,245,843 | B1 * | 8/2012 | Wu | | 206/320 |
| D672,781 | S * | 12/2012 | Lu | | D14/440 |
| D673,158 | S * | 12/2012 | Yang et al. | | D14/440 |
| D679,279 | S * | 4/2013 | Yang et al. | | D14/440 |
| 2012/0194448 | A1 * | 8/2012 | Rothkopf | | D19/26 |
| 2012/0211613 | A1 * | 8/2012 | Yang et al. | | 248/174 |

* cited by examiner

Primary Examiner — Cynthia Underwood

(74) *Attorney, Agent, or Firm* — Harness, Dickey & Pierce,
P.L.C.

(57) **CLAIM**

I claim the ornamental design for a case for tablet PC, as shown.

DESCRIPTION

FIG. 1 is a front/right-side/top perspective view of a case for tablet PC showing our new design;
 FIG. 2 is a front-side elevational view thereof;
 FIG. 3 is a rear-side elevational view thereof;
 FIG. 4 is a left-side elevational view thereof;
 FIG. 5 is a right-side elevational view thereof;
 FIG. 6 is a top-side elevational view thereof;
 FIG. 7 is a bottom-side elevational view thereof;
 FIG. 8 is a perspective view shown unfolded and in a state of use; and,
 FIG. 9 is a perspective view shown unfolded and in a state of use.
 The broken lines represent unclaimed structure in FIG. 3 and in FIGS. 8 and 9 they represent environment. None of the broken lines form any part of the claim.

1 Claim, 8 Drawing Sheets

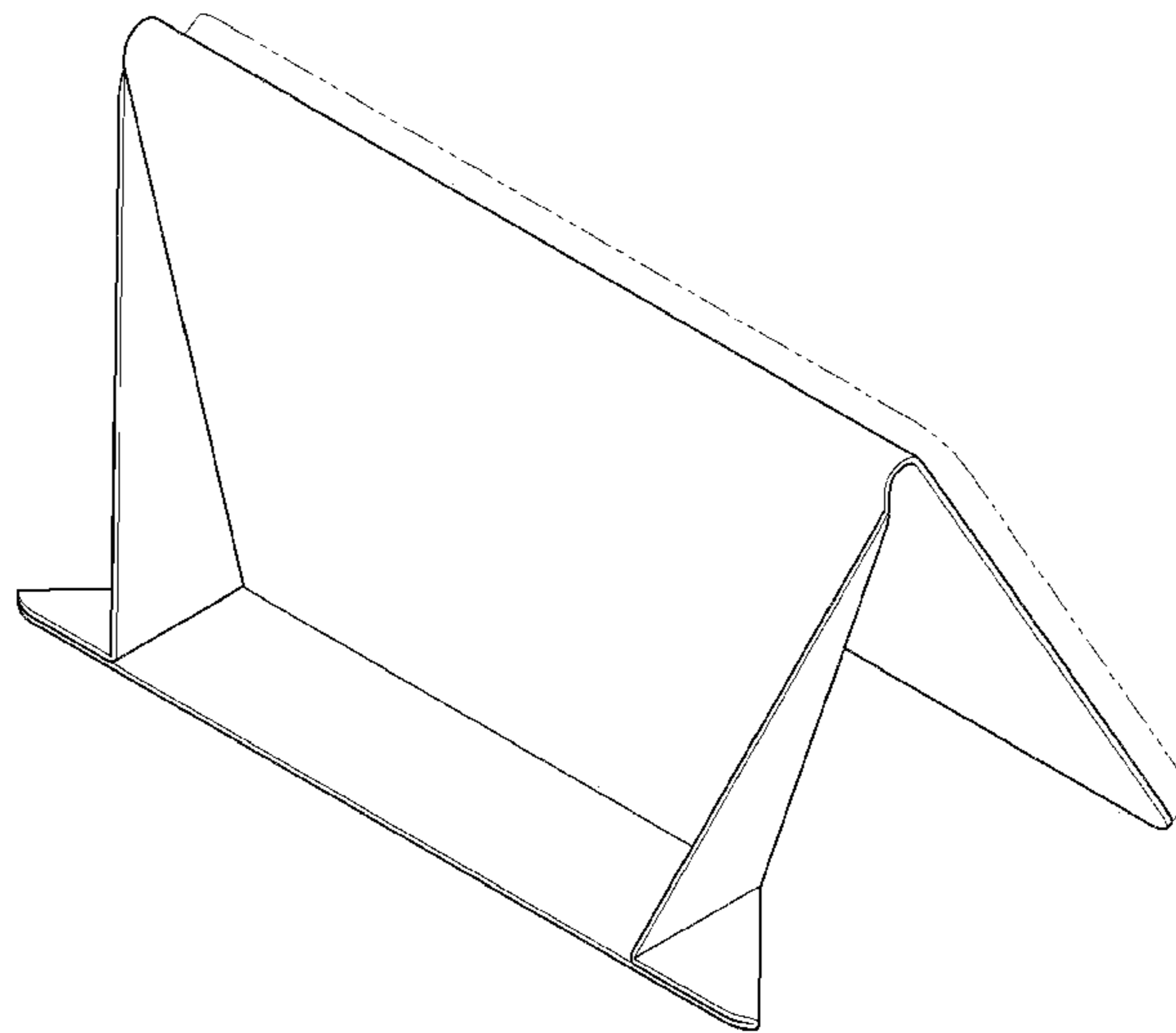
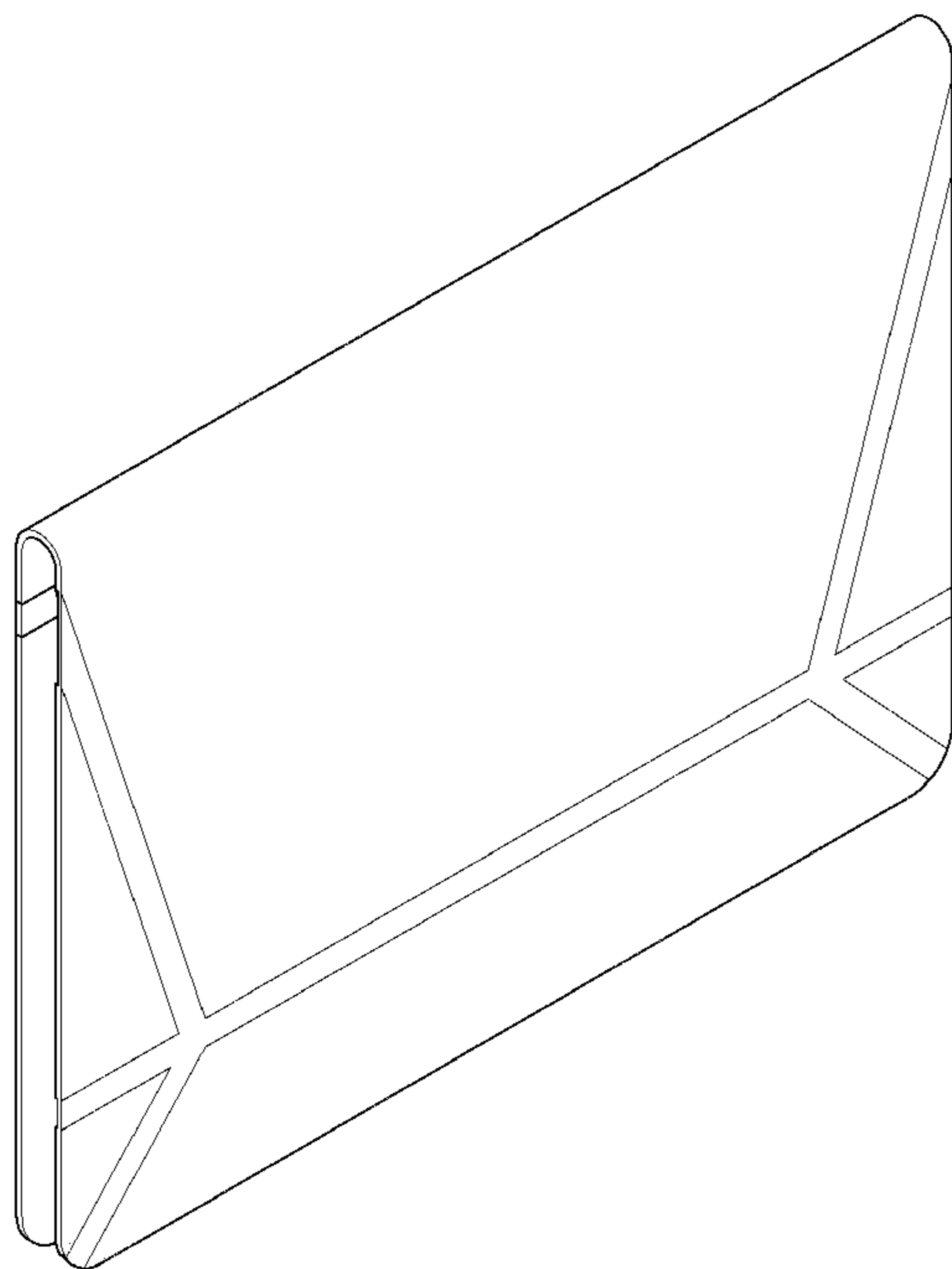


FIG. 1

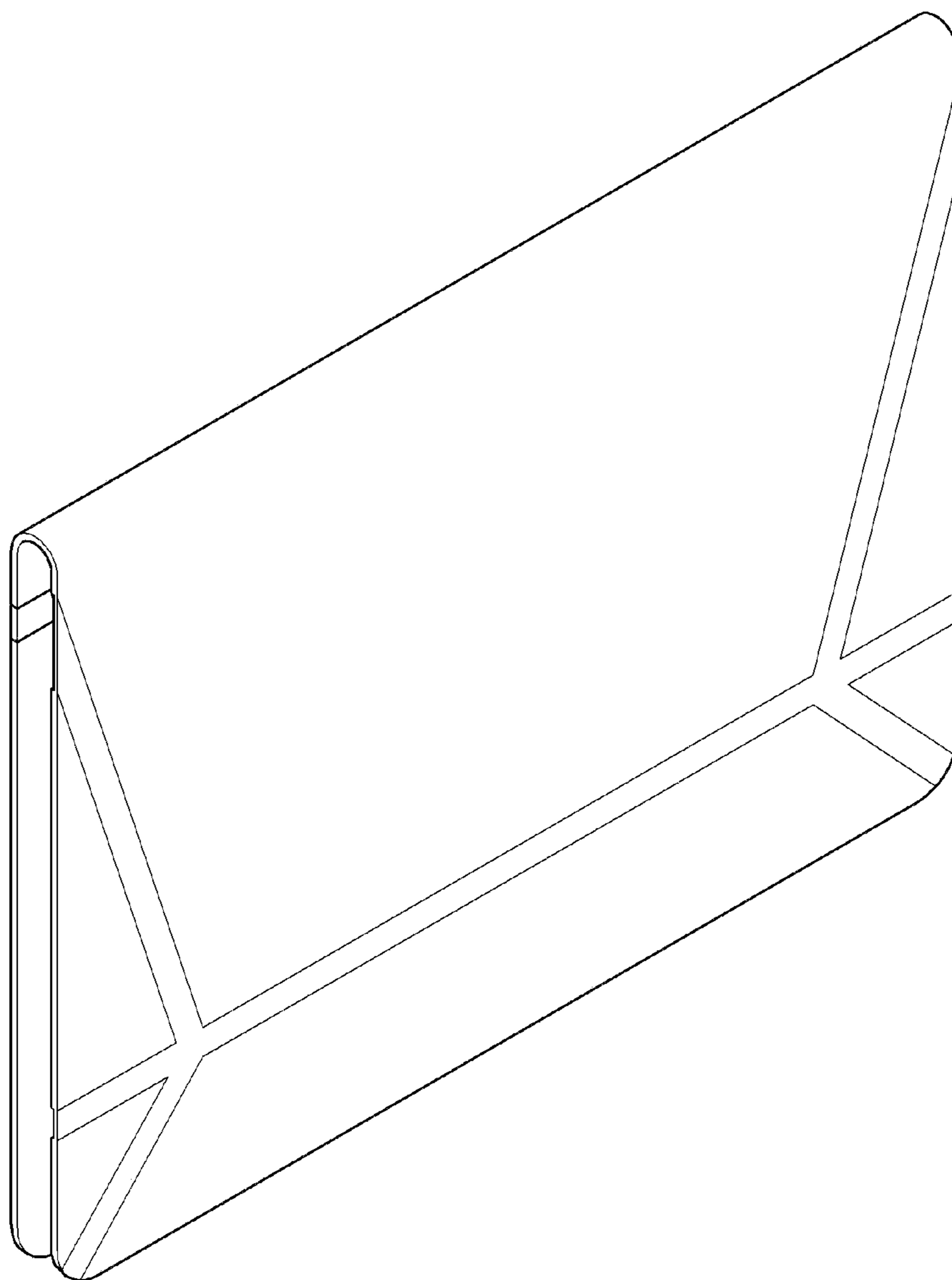


FIG. 2

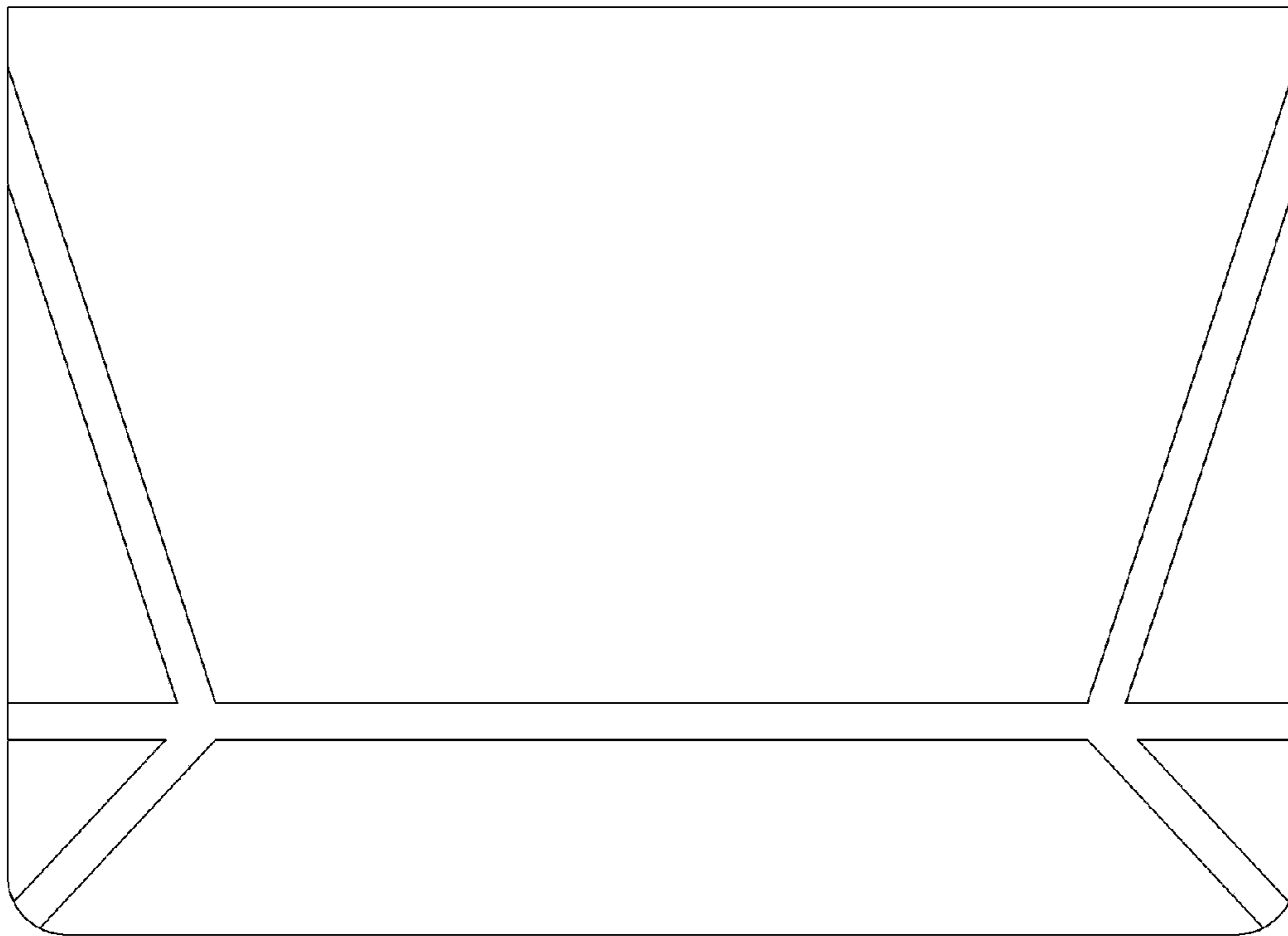


FIG. 3

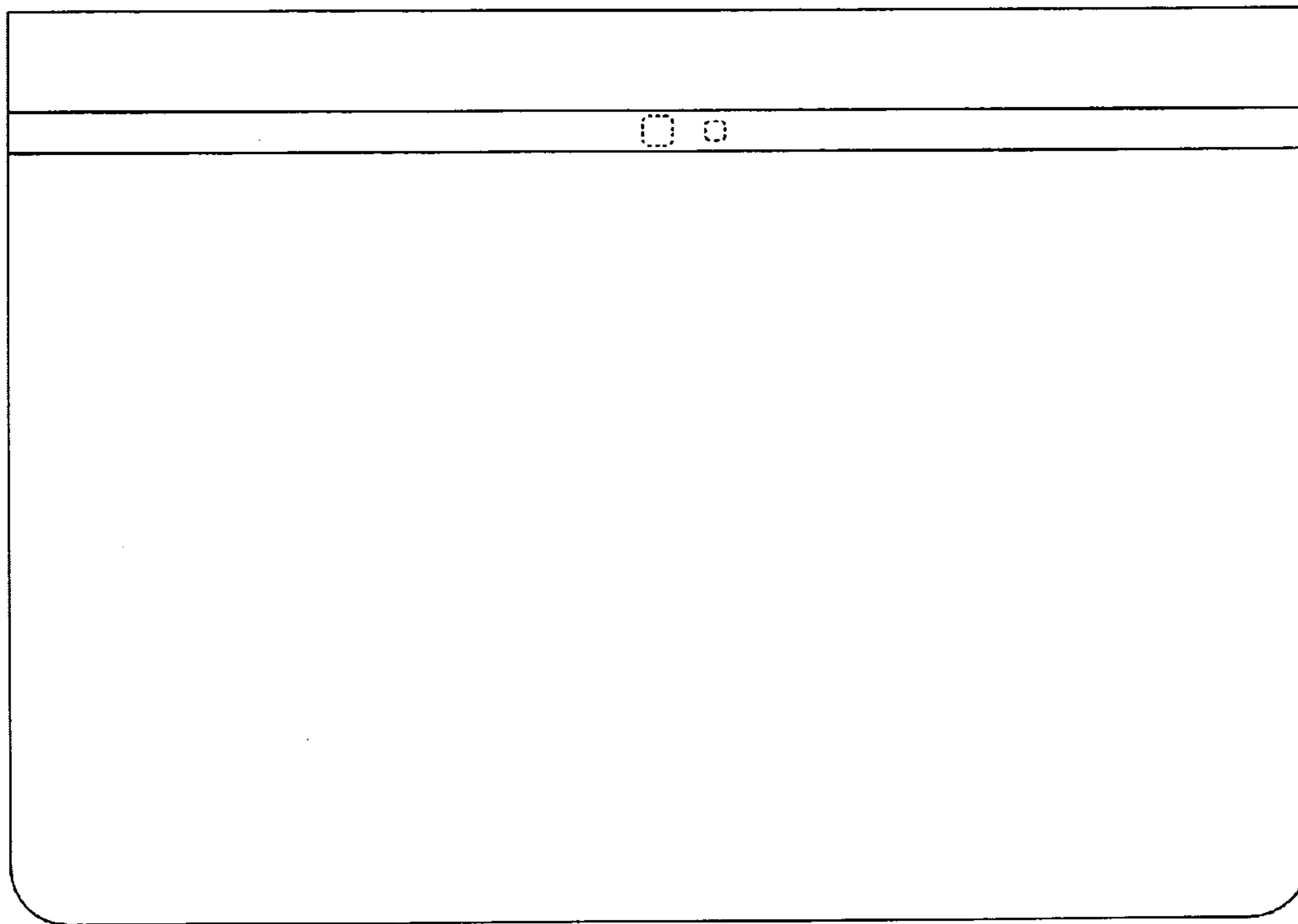


FIG. 4

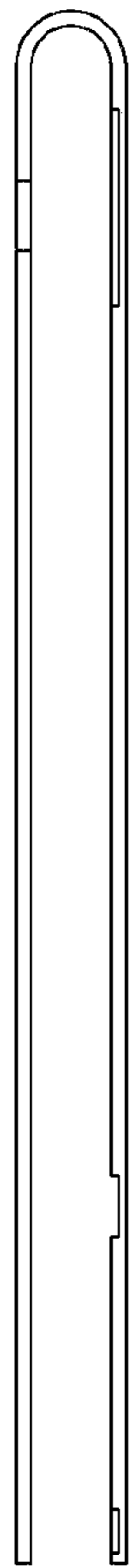


FIG. 5



FIG. 6



FIG. 7

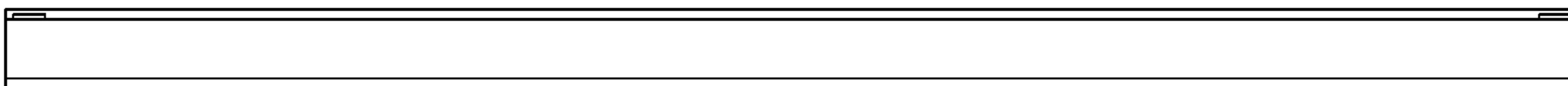


FIG. 8

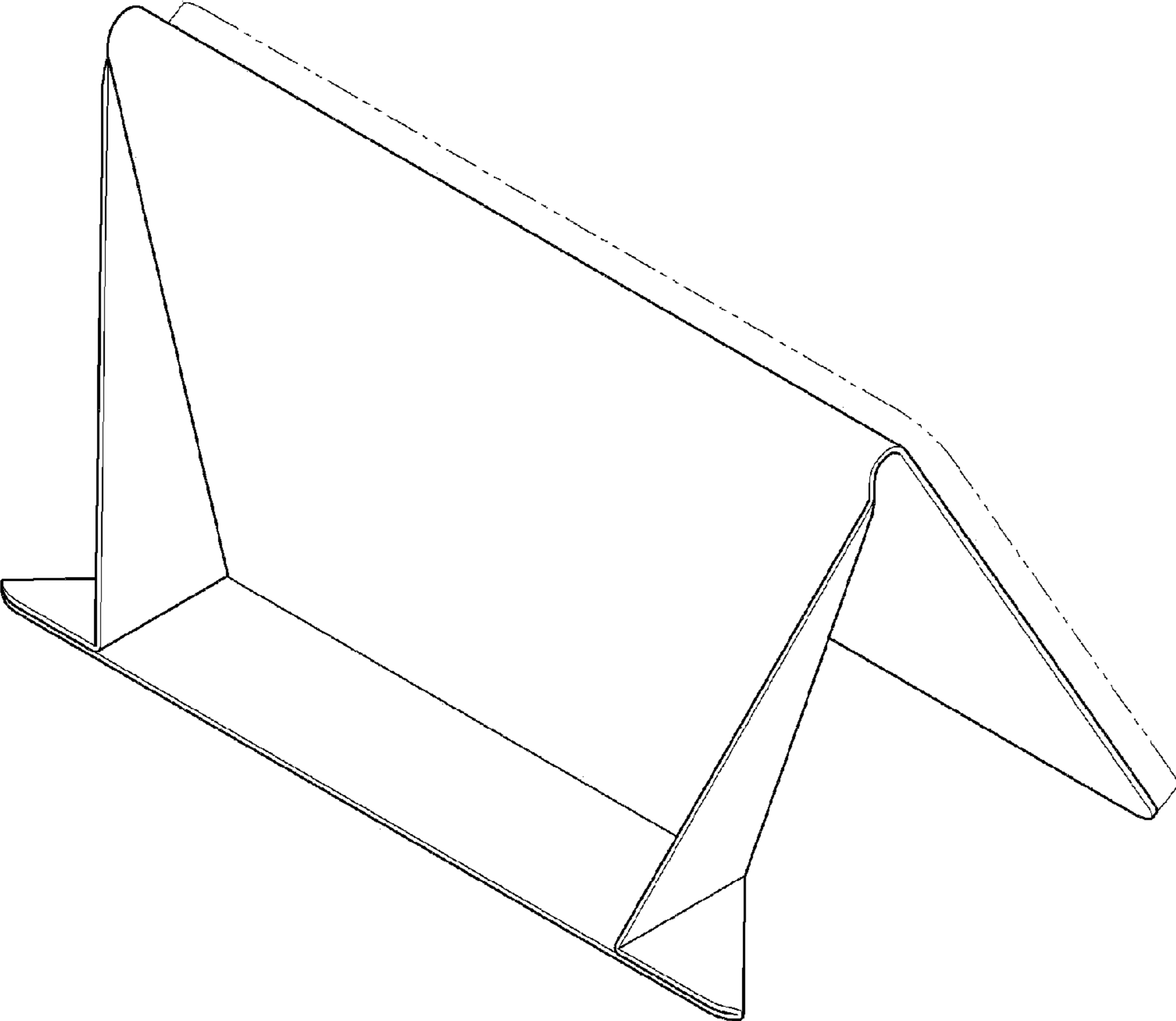


FIG. 9

