



US00D692432S

(12) **United States Design Patent**  
**Liu et al.**

(10) **Patent No.:** **US D692,432 S**  
(45) **Date of Patent:** **\*\* Oct. 29, 2013**

(54) **CASING WITH FOLDABLE KEYBOARD**

(75) Inventors: **Chia-Hung Liu**, Taoyuan (TW);  
**Ting-Kuei Cheng**, Taoyuan (TW);  
**Chang-En Sun**, Taoyuan (TW)

(73) Assignee: **Darfon Electronics Corp.**, Gueishan,  
Taoyuan (TW)

(\*\*) Term: **14 Years**

(21) Appl. No.: **29/405,770**

(22) Filed: **Nov. 7, 2011**

(30) **Foreign Application Priority Data**

May 27, 2011 (TW) ..... 100302645

(51) **LOC (9) Cl.** ..... **14-02**

(52) **U.S. Cl.**  
USPC ..... **D14/440**

(58) **Field of Classification Search**  
USPC ..... D14/447, 440, 439, 250, 252, 432, 300,  
D14/320, 396; 220/4.02; 361/679.56  
See application file for complete search history.

(56) **References Cited**

**U.S. PATENT DOCUMENTS**

681,976	A *	9/1901	Rathvon	248/456
1,370,279	A *	3/1921	Burzynski	211/43
2,354,782	A *	8/1944	Stradling et al.	281/16
2,726,835	A *	12/1955	Hummel	248/459
4,318,527	A *	3/1982	Smith	248/459
4,703,160	A *	10/1987	Narishima et al.	235/1 D
4,718,550	A *	1/1988	Johnson	206/387.13
D362,434	S *	9/1995	Abell et al.	D14/395
5,457,453	A *	10/1995	Chiu et al.	341/22
D394,045	S *	5/1998	Iino	D14/320
D416,008	S *	11/1999	Robinson et al.	D14/393
D420,655	S *	2/2000	Louis et al.	D14/396
D466,356	S *	12/2002	Marsilio	D6/632
6,493,969	B2 *	12/2002	Devos	40/120

D469,438	S *	1/2003	Corrales	D14/432
D471,008	S *	3/2003	Dubone	D3/247
D478,623	S *	8/2003	Wilburn	D19/26
6,646,672	B2 *	11/2003	Feierbach	348/14.02
D486,488	S *	2/2004	Olodort et al.	D14/396
D506,196	S *	6/2005	Shim	D14/399
D530,716	S *	10/2006	Kimura et al.	D14/396
D546,878	S *	7/2007	Bharma	D19/26
7,318,521	B2 *	1/2008	Lau	206/45.24
D562,321	S *	2/2008	Jawerth et al.	D14/391
D581,865	S *	12/2008	Koza	D13/102
D584,314	S *	1/2009	Davis et al.	D14/440
7,542,052	B2 *	6/2009	Solomon et al.	345/659
D609,226	S *	2/2010	Hofer et al.	D14/248
8,016,107	B2 *	9/2011	Emsky	206/320
D646,266	S *	10/2011	Kim et al.	D14/250

(Continued)

*Primary Examiner* — Cynthia Underwood

(74) *Attorney, Agent, or Firm* — Winston Hsu; Scott Margo

(57) **CLAIM**

I claim the ornamental design for a casing with a foldable keyboard, as shown and described.

**DESCRIPTION**

FIG. 1 is a perspective view of a casing with a foldable keyboard in accordance with the new design, wherein the casing is opened and the foldable keyboard is expanded;

FIG. 2 is a front elevational view thereof;

FIG. 3 is a rear elevational view thereof;

FIG. 4 is a left side elevational view thereof;

FIG. 5 is a right side elevational view thereof;

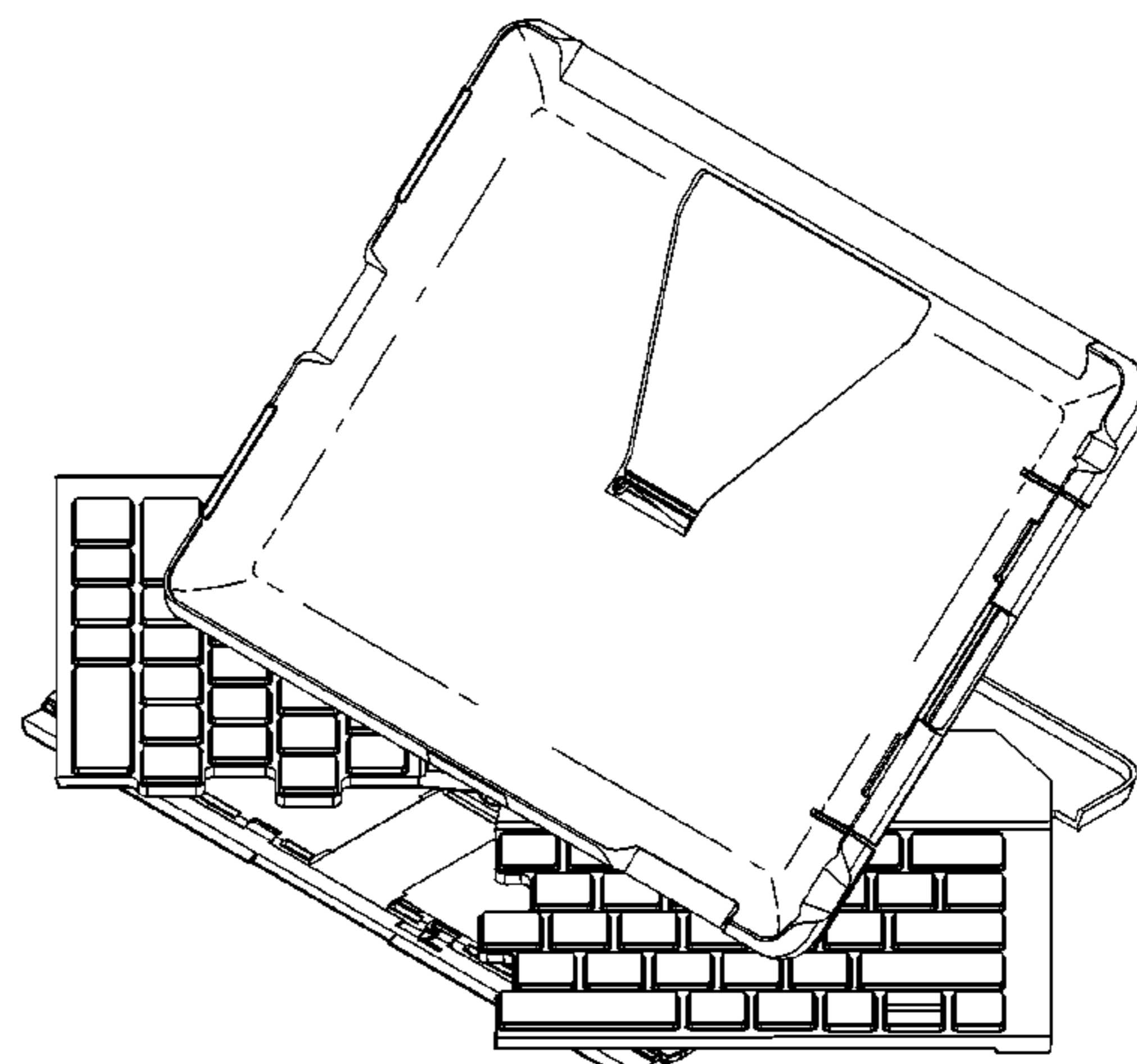
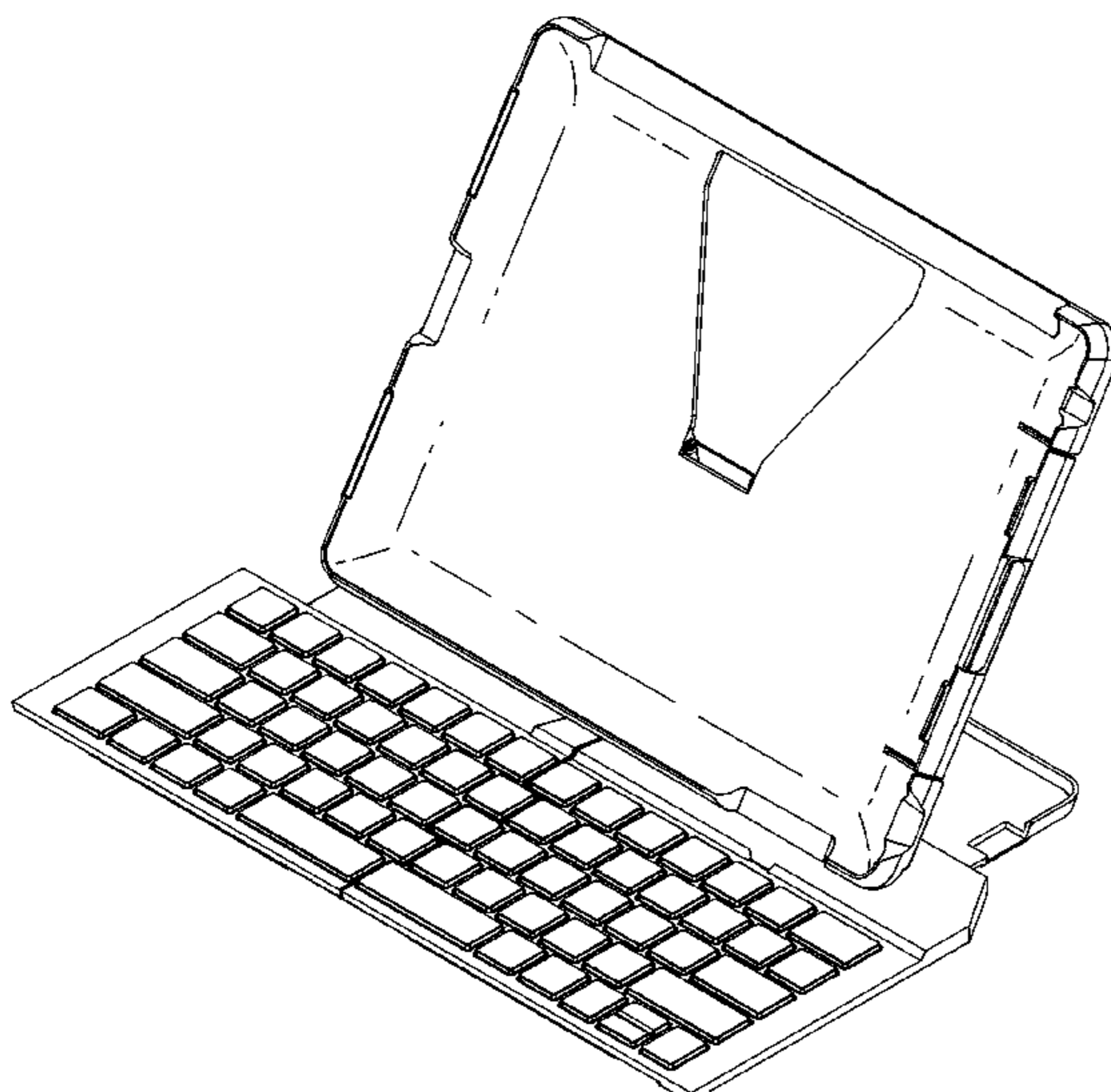
FIG. 6 is a top plan view thereof;

FIG. 7 is a bottom plan view thereof;

FIG. 8 is another perspective view thereof showing that the casing is half-closed and the foldable keyboard is half-folded; and,

FIG. 9 is another perspective view thereof showing that the casing is closed completely and the foldable keyboard is accommodated within the casing.

**1 Claim, 9 Drawing Sheets**



(56)

**References Cited**

U.S. PATENT DOCUMENTS

D648,529 S *	11/2011	Brown	.....	D3/269	8,230,992 B2 *	7/2012	Law et al.	.....	206/320
D654,069 S *	2/2012	Kwon et al.	.....	D14/250	D665,809 S *	8/2012	Wang et al.	.....	D14/439
8,132,670 B1 *	3/2012	Chen	.....	206/320	8,235,208 B2 *	8/2012	Sirichai et al.	.....	206/320
8,147,154 B2 *	4/2012	Jawerth et al.	.....	400/489	8,245,843 B1 *	8/2012	Wu	.....	206/320
D659,139 S *	5/2012	Gengler	.....	D14/392	2009/0194209 A1 *	8/2009	De Filippis et al.	.....	150/107
D662,100 S *	6/2012	Van Den Nieuwenhuizen	.....	D14/440	2010/0122924 A1 *	5/2010	Andrews	.....	206/320
		et al.	.....	D14/440	2010/0289390 A1 *	11/2010	Kenney	.....	312/223.1
D662,503 S *	6/2012	Akana et al.	.....	D14/439	2012/0043231 A1 *	2/2012	Perrier et al.	.....	206/216
D663,304 S *	7/2012	Akana et al.	.....	D14/440	2012/0170212 A1 *	7/2012	Gallouzi et al.	.....	361/679.56
					2012/0194448 A1 *	8/2012	Rothkopf	.....	345/173
					2012/0212896 A1 *	8/2012	Schulz	.....	361/679.02

\* cited by examiner

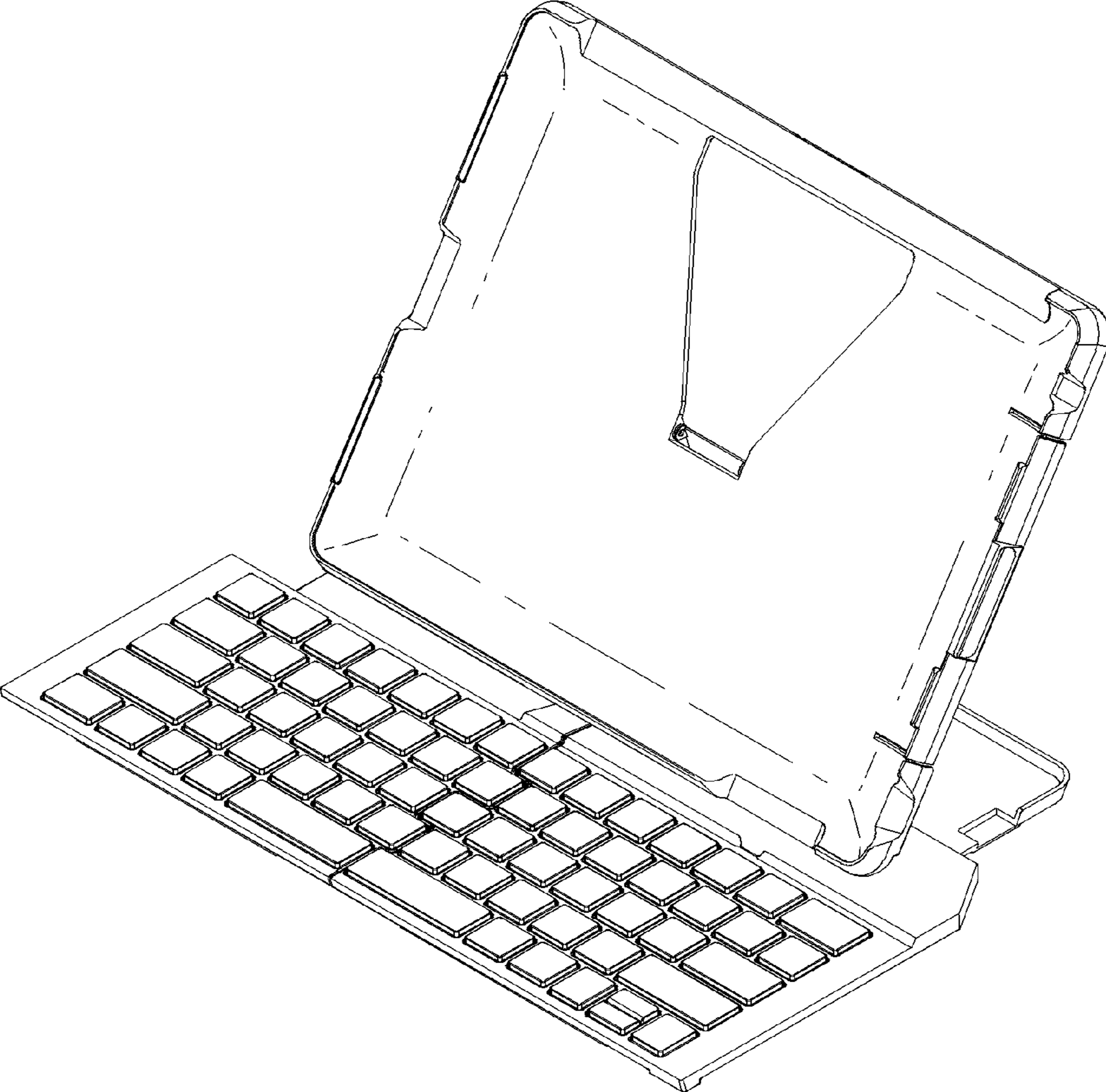


FIG. 1

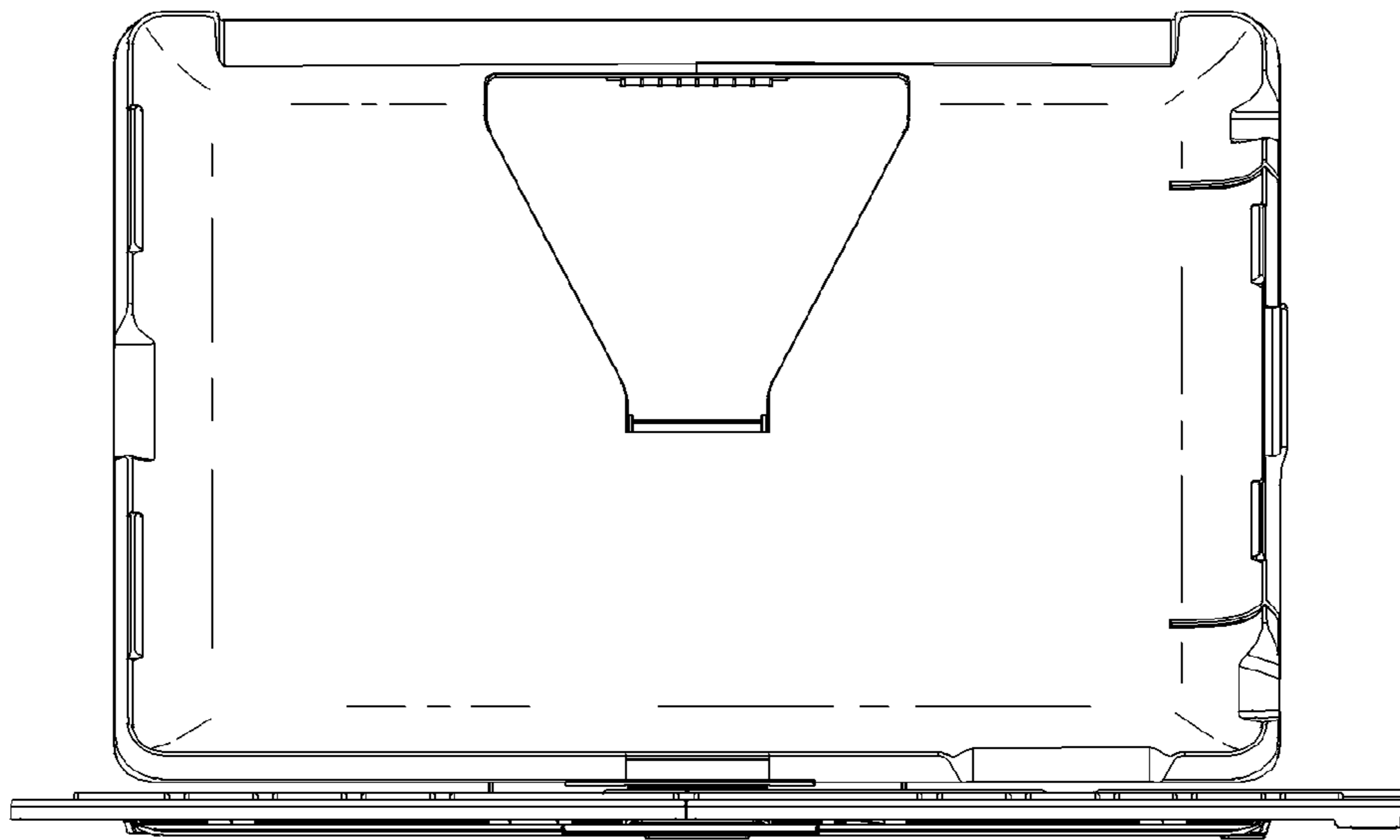


FIG. 2

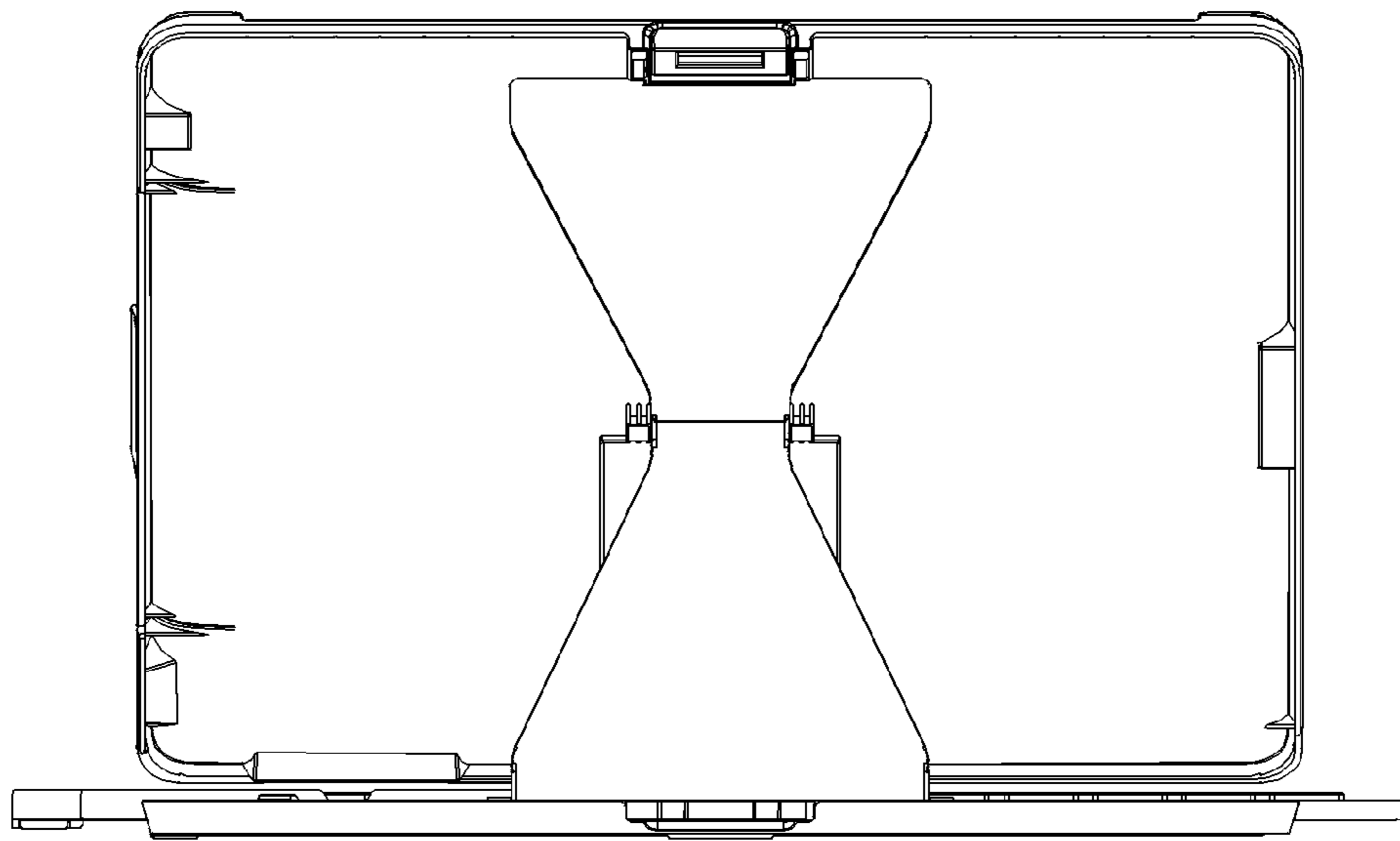


FIG. 3

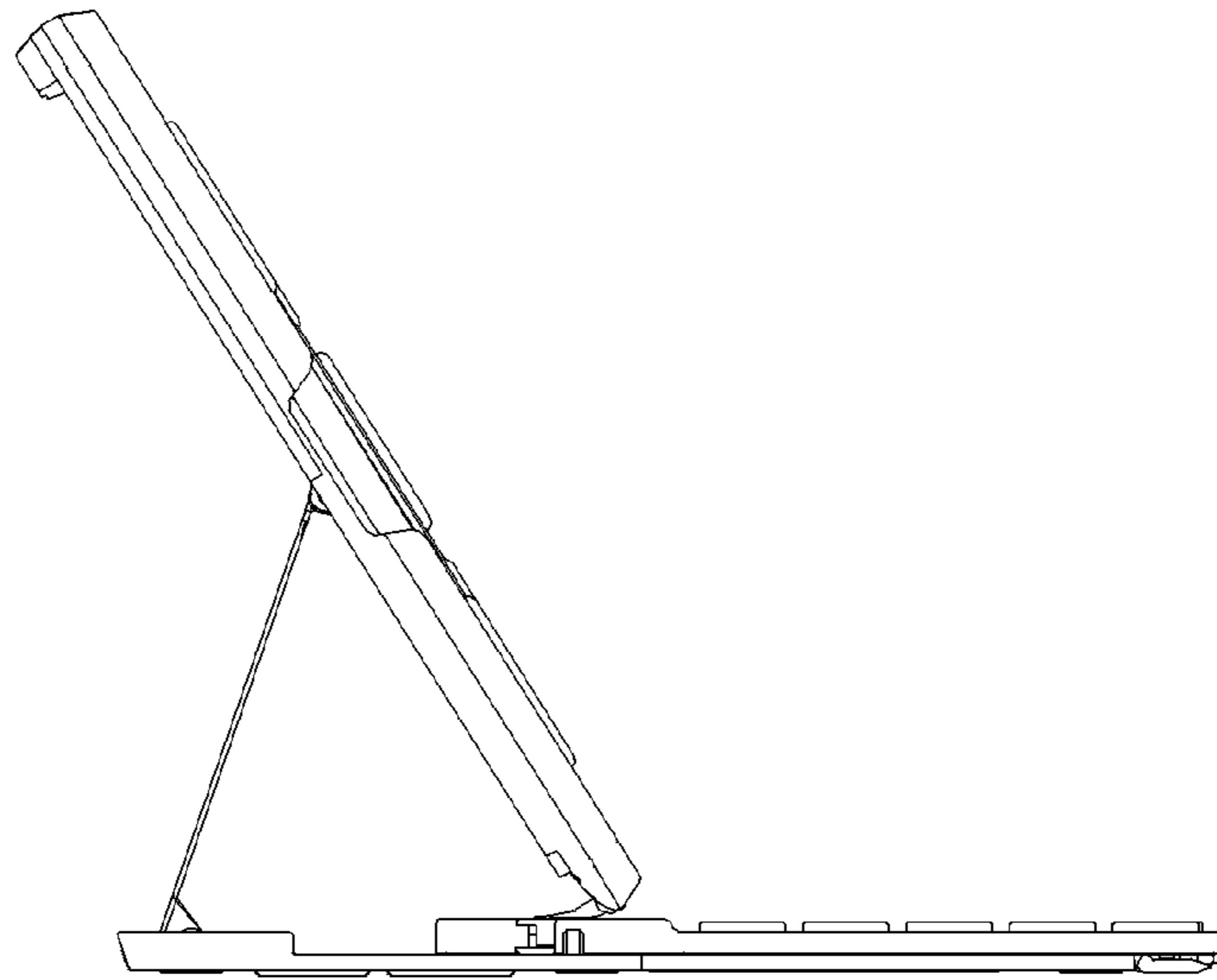


FIG. 4

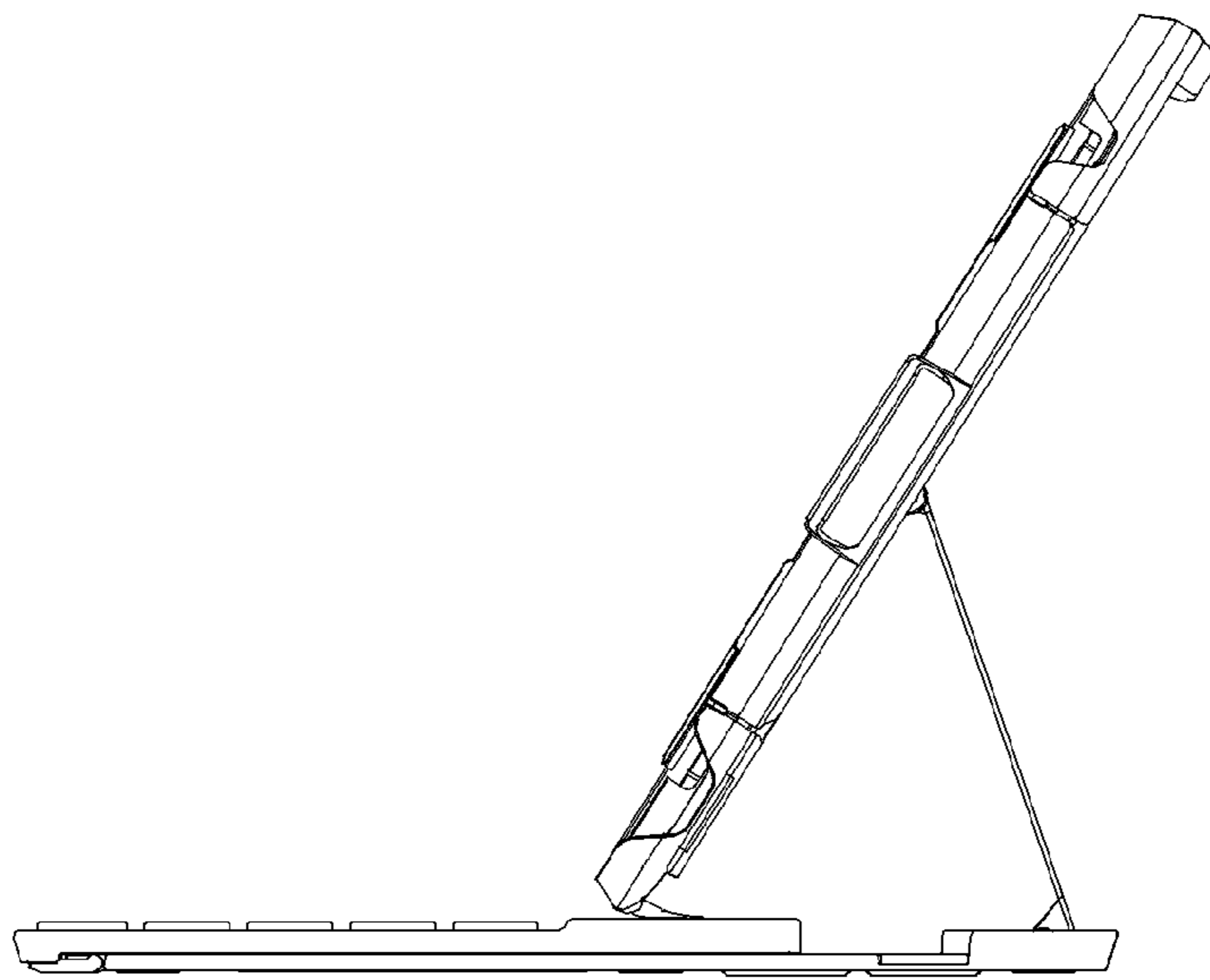


FIG. 5

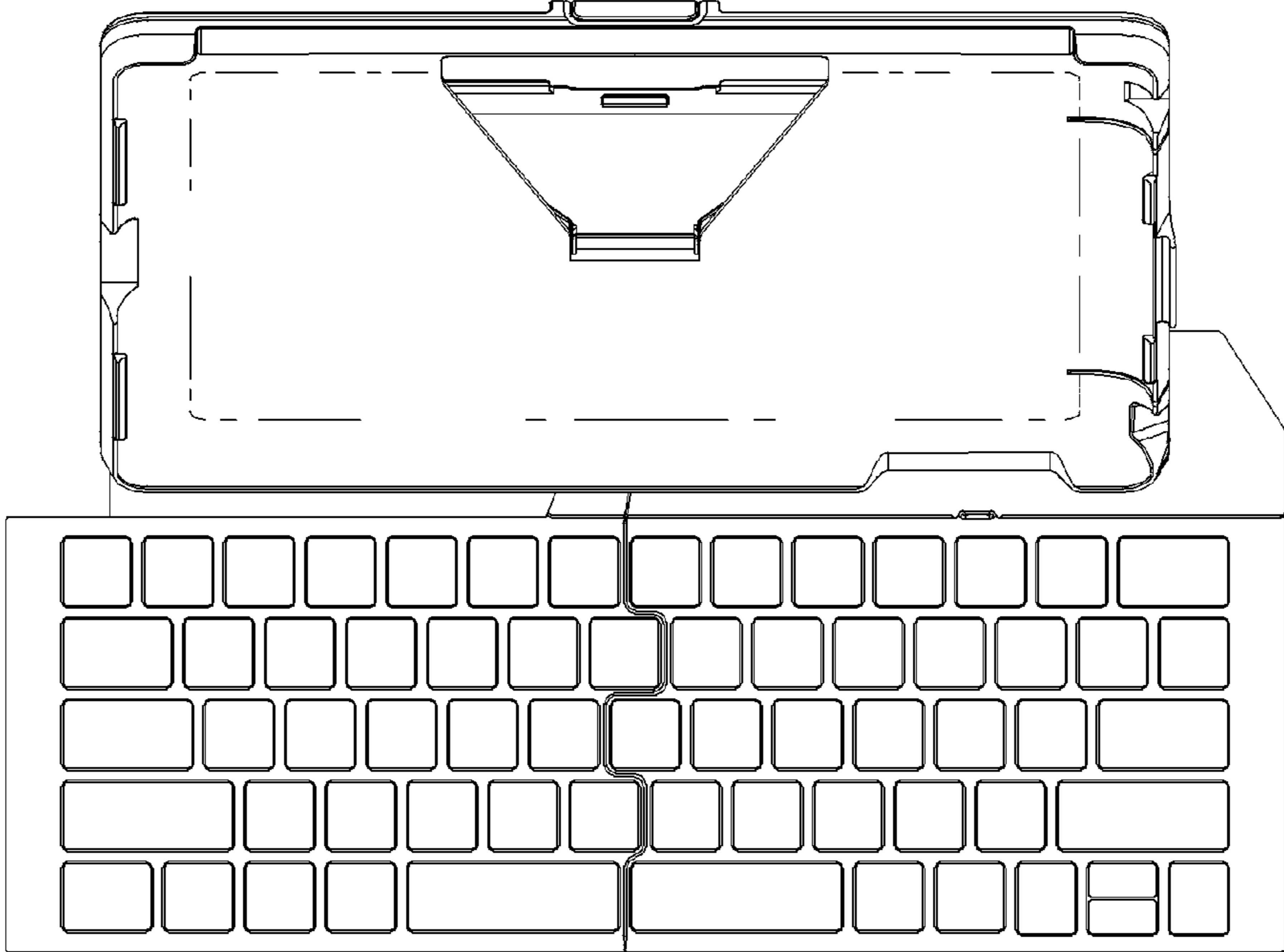


FIG. 6



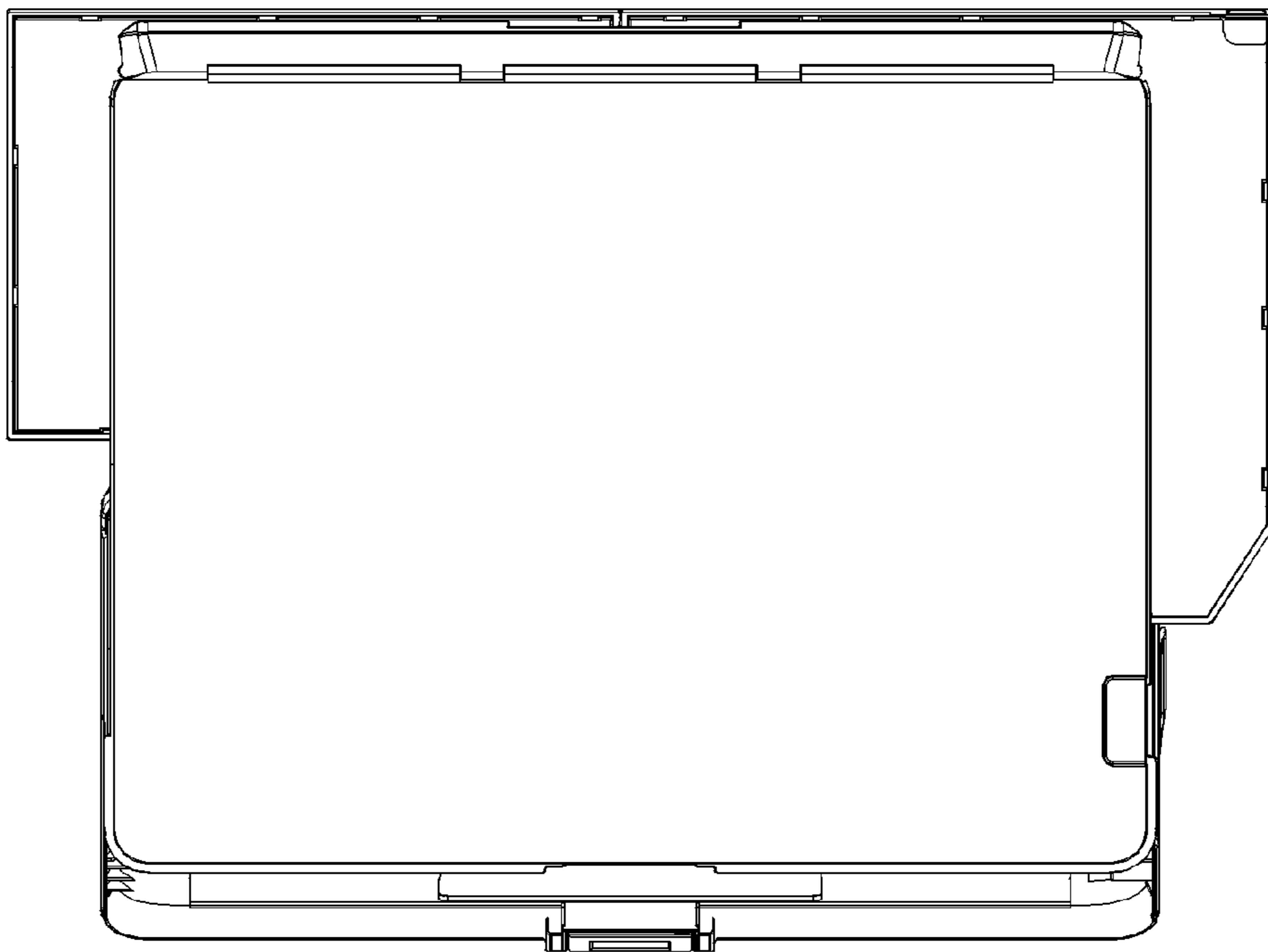


FIG. 7

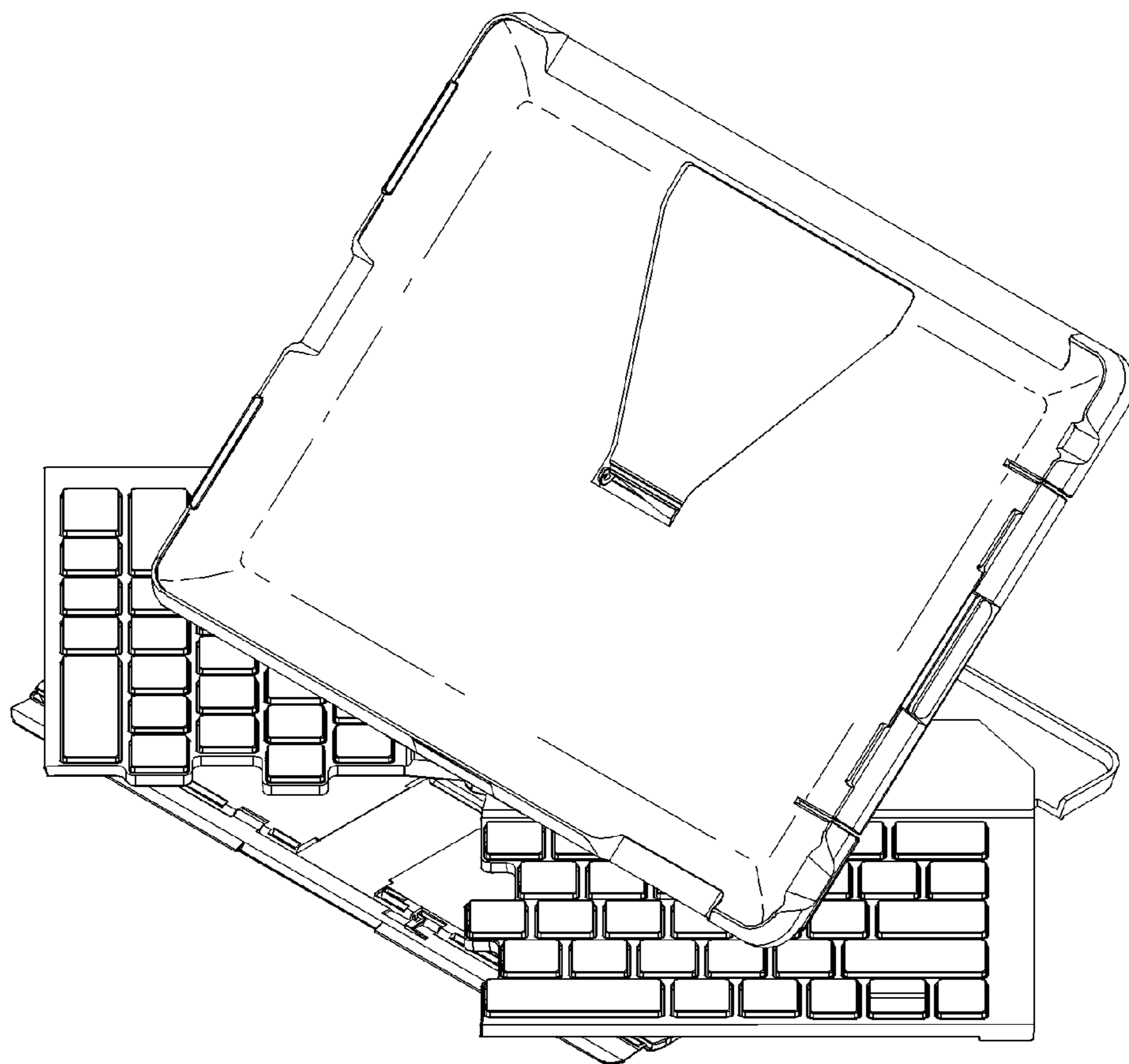


FIG. 8

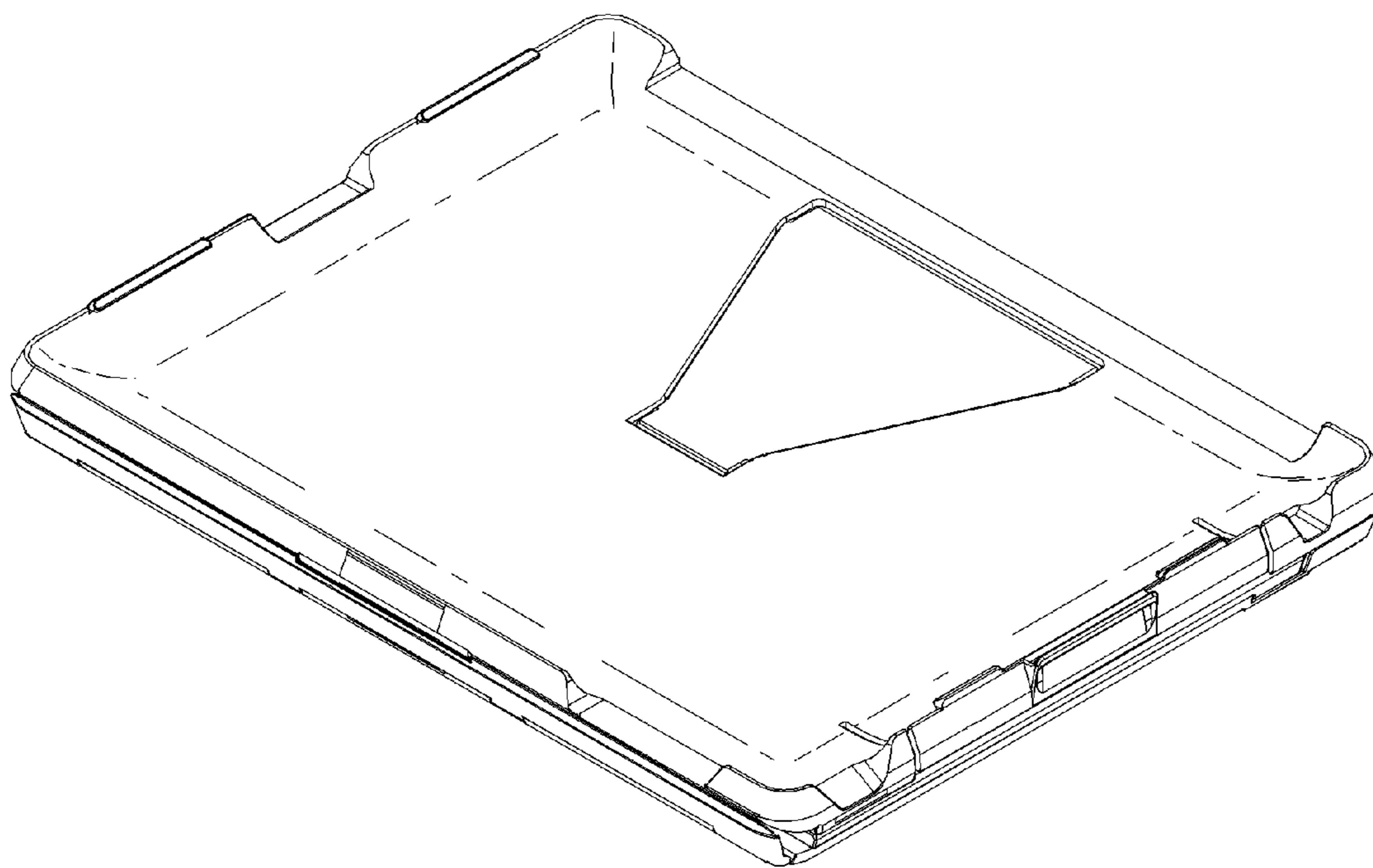


FIG. 9