



US00D692429S

(12) **United States Design Patent**
So

(10) **Patent No.:** **US D692,429 S**
(45) **Date of Patent:** **** Oct. 29, 2013**

- (54) **STYLUS**
- (75) Inventor: **Kevin Chi Heng So**, Shatin (HK)
- (73) Assignee: **AVC Technolgoy (International) Limited**, Kowloon Bay (HK)
- (**) Term: **14 Years**
- (21) Appl. No.: **29/424,832**
- (22) Filed: **Jun. 15, 2012**
- (51) **LOC (9) Cl.** **14-02**
- (52) **U.S. Cl.**
USPC **D14/411**
- (58) **Field of Classification Search**
USPC D8/61; D14/411; D19/35, 36, 41-51,
D19/54-58; 401/55, 99, 100, 104-107, 196,
401/197, 202, 208, 209, 213, 192, 195,
401/243; 708/107; 345/179, 173;
178/19.01; 700/94
See application file for complete search history.

- D462,356 S * 9/2002 Ono et al. D14/411
- D464,653 S * 10/2002 Nagai et al. D14/411
- D501,877 S * 2/2005 Granick D19/36
- D593,603 S * 6/2009 Good D19/41
- D634,747 S * 3/2011 Wong et al. D14/411
- D641,755 S * 7/2011 Rashid et al. D14/411
- D655,707 S * 3/2012 Miyachi et al. D14/411
- D678,282 S * 3/2013 Izen et al. D14/411

* cited by examiner

Primary Examiner — Austin Murphy
(74) *Attorney, Agent, or Firm* — Grossman, Tucker, Perreault & Pflieger, PLLC

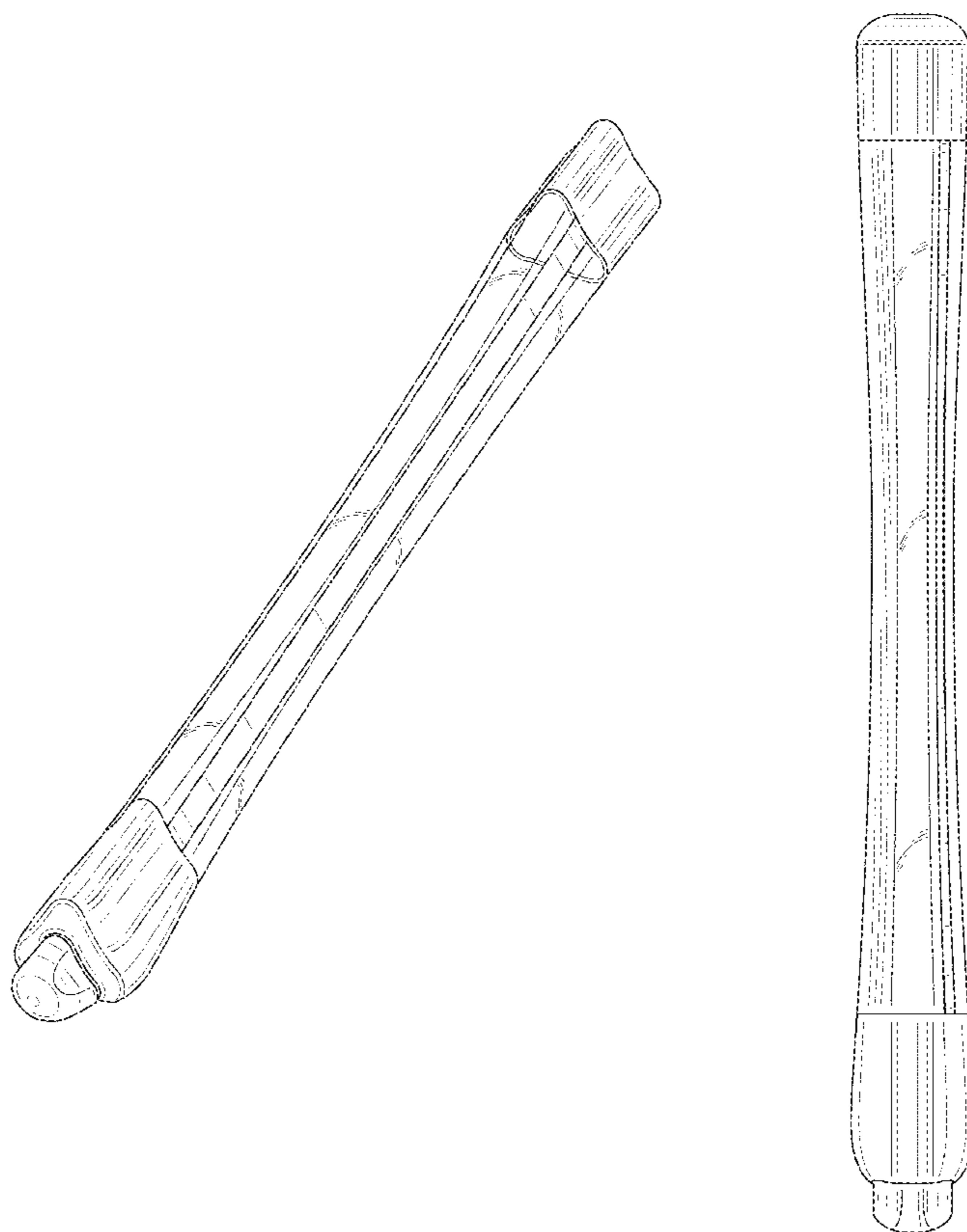
(57) **CLAIM**
The ornamental design for a stylus, as shown.

DESCRIPTION

FIG. 1 is a perspective view of a first embodiment of a stylus of the present invention;
FIG. 2 is a bottom view of the stylus of FIG. 1;
FIG. 3 is a top view of the stylus of FIG. 1;
FIG. 4 is a left side view of the stylus of FIG. 1;
FIG. 5 is a right side view of the stylus of FIG. 1;
FIG. 6 is a back view of the stylus of FIG. 1; and,
FIG. 7 is a front view of the stylus of FIG. 1.

1 Claim, 4 Drawing Sheets

- (56) **References Cited**
U.S. PATENT DOCUMENTS
D364,609 S * 11/1995 Sanchez et al. D14/411
D419,541 S * 1/2000 Kawashima D14/431
D451,547 S * 12/2001 Nishida D19/48



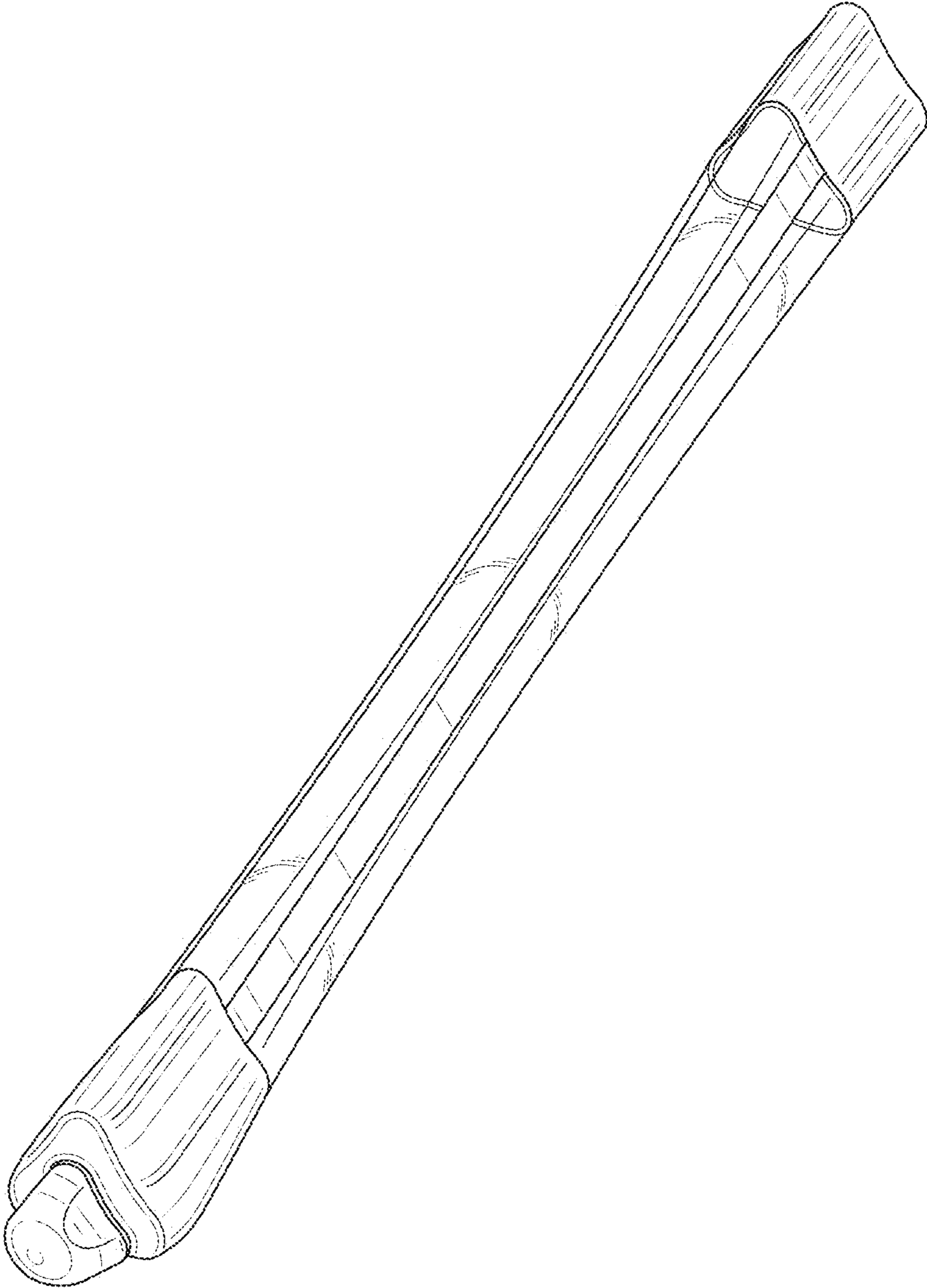


FIG. 1

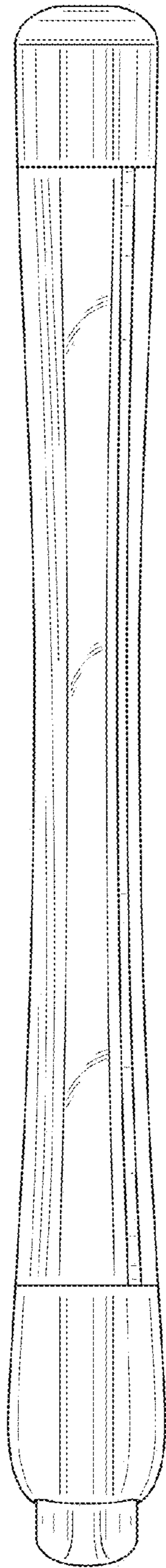


FIG. 2

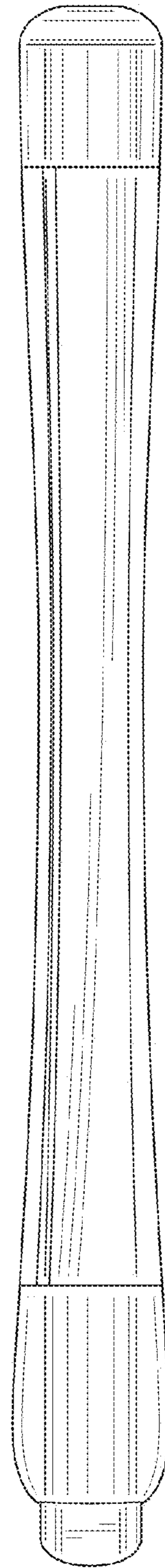


FIG. 3

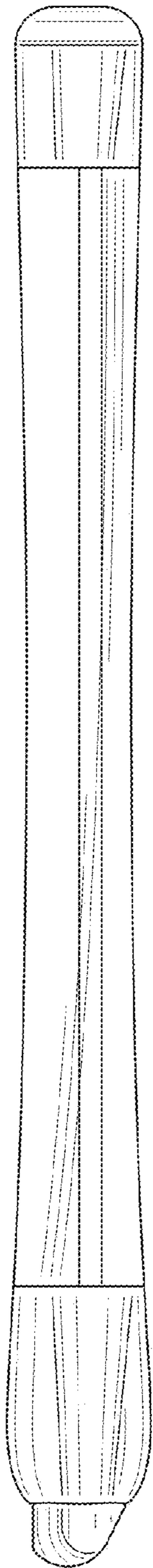


FIG. 4

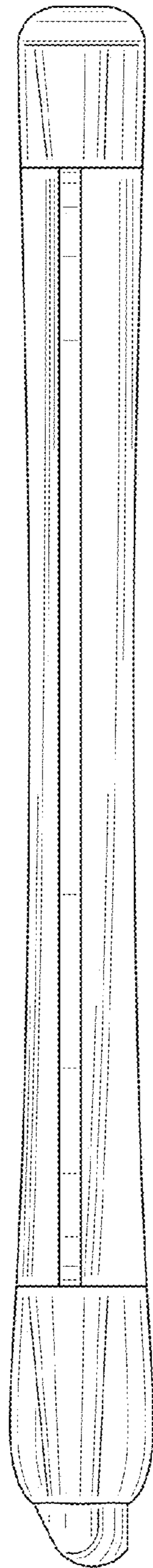


FIG. 5

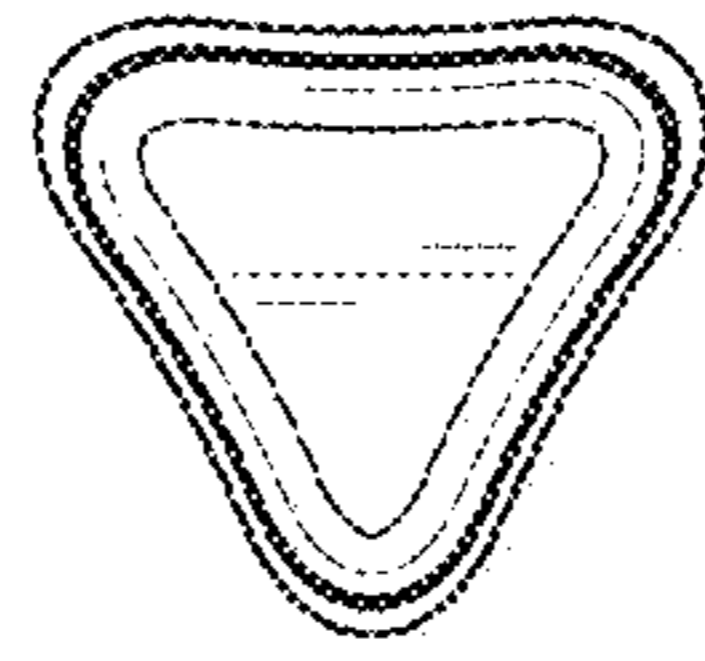


FIG. 6

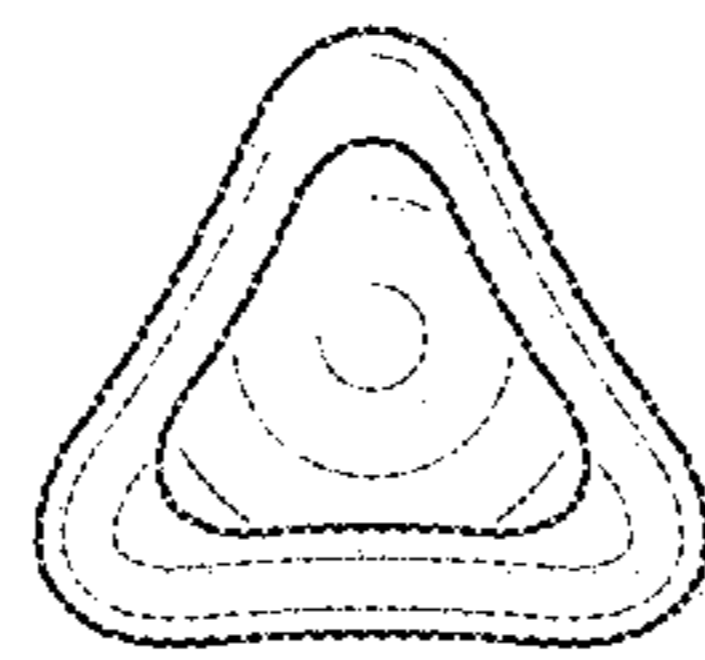


FIG. 7