



US00D692428S

(12) **United States Design Patent**
Janson

(10) **Patent No.:** **US D692,428 S**

(45) **Date of Patent:** **** Oct. 29, 2013**

(54) **SCROLL WHEEL ADAPTER FOR A TABLET COMPUTER**

(76) Inventor: **Paul M. Janson**, Northridge, CA (US)

(**) Term: **14 Years**

(21) Appl. No.: **29/422,590**

(22) Filed: **May 22, 2012**

(51) **LOC (9) Cl.** **14-02**

(52) **U.S. Cl.**
USPC **D14/388**; D14/433; D14/439

(58) **Field of Classification Search**
USPC D14/388, 417, 432, 433, 435.1, 455,
D14/480.7, 484.1, 439; 345/156, 157, 161,
345/163, 168, 184
See application file for complete search history.

(56) **References Cited**

U.S. PATENT DOCUMENTS

5,095,303	A *	3/1992	Clark et al.	345/164
5,287,246	A *	2/1994	Sen	361/679.1
6,163,326	A *	12/2000	Klein et al.	345/156
6,580,420	B1 *	6/2003	Wang	345/163
D493,159	S *	7/2004	Donner	D14/191
6,784,870	B2 *	8/2004	Yin	345/156
D515,545	S *	2/2006	Griffin	D14/155
D526,650	S *	8/2006	Hayes et al.	D14/480.1
D531,127	S *	10/2006	Zhong et al.	D13/147
D531,619	S *	11/2006	Chau	D14/217
7,146,005	B1 *	12/2006	Anft et al.	379/433.06
D550,196	S *	9/2007	Griffin et al.	D14/155
D560,166	S *	1/2008	Andre et al.	D13/133
D577,008	S *	9/2008	Andre et al.	D14/217
D578,991	S *	10/2008	Donovan et al.	D14/155
D582,419	S *	12/2008	Sheba et al.	D14/480.5

D587,209	S *	2/2009	Tsai et al.	D13/147
D588,545	S *	3/2009	Andre et al.	D13/154
D589,888	S *	4/2009	Wu et al.	D13/147
D599,740	S *	9/2009	Guccione et al.	D13/147
D634,326	S *	3/2011	Gehrke	D14/435.1
D680,539	S *	4/2013	Kim	D14/433
2004/0051392	A1 *	3/2004	Badarneh	307/112
2007/0293079	A1 *	12/2007	Chao et al.	439/352
2013/0033423	A1 *	2/2013	Tsai et al.	345/157

* cited by examiner

Primary Examiner — Deanna L Fluegeman

(74) *Attorney, Agent, or Firm* — Timothy Thut Tyson; Leon D. Rosen & Associates, P.C.

(57) **CLAIM**

The ornamental design for a scroll wheel adapter for a tablet computer, as shown and described.

DESCRIPTION

FIG. 1 is a reduced perspective view of a scroll wheel adapter mounted on a tablet computer;

FIG. 2 is a top, front, left side perspective view of the scroll wheel adapter for a tablet computer showing my new design;

FIG. 3 is a left side elevation view thereof;

FIG. 4 is a front elevation view, the rear elevation view is the mirror image thereof;

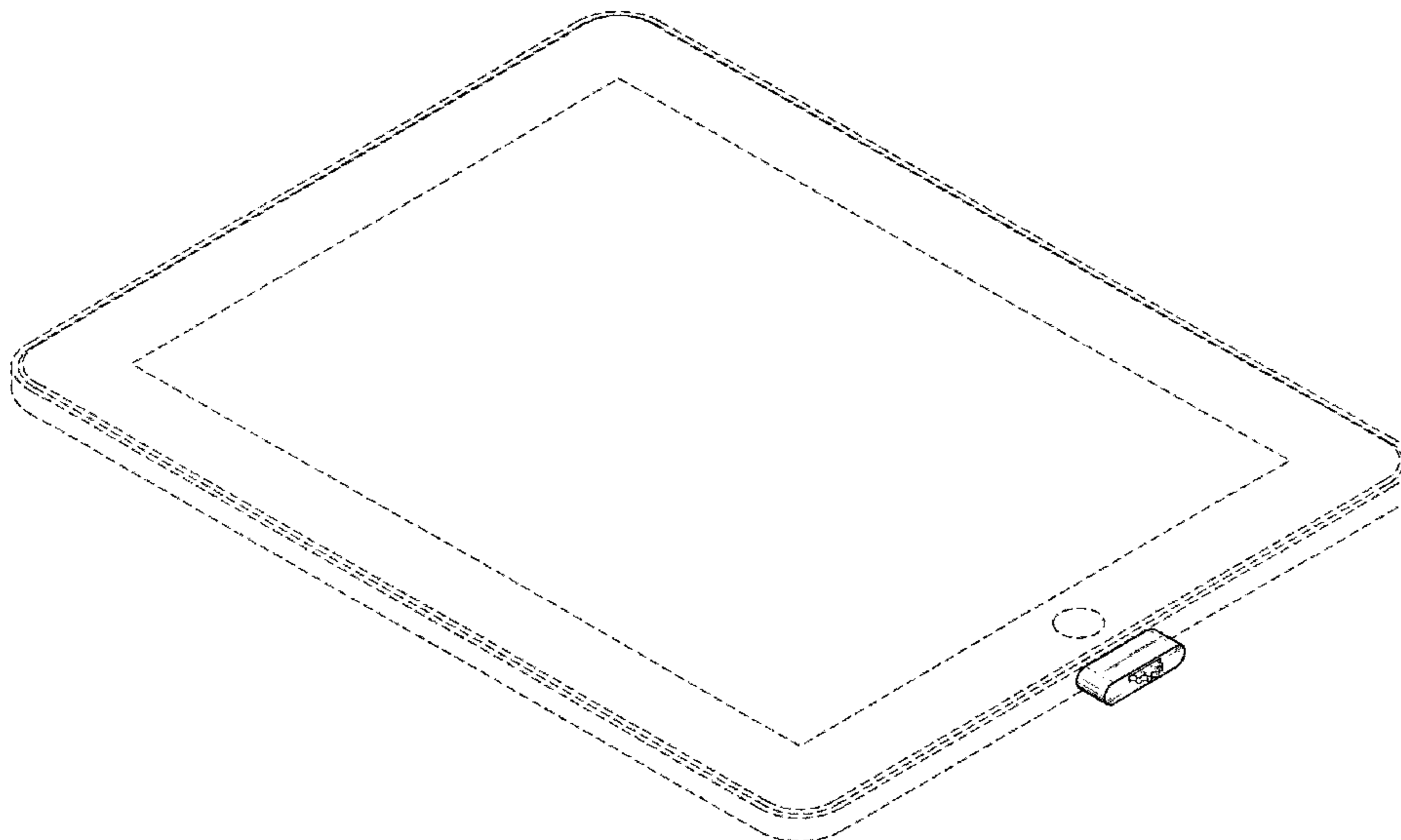
FIG. 5 is a right side elevation view thereof;

FIG. 6 is a top plan view thereof; and,

FIG. 7 is a bottom plan view thereof.

The broken line showing of the tablet computer in FIG. 7 is included for the purpose of illustrating the environment of the claimed design and forms no part thereof.

1 Claim, 4 Drawing Sheets



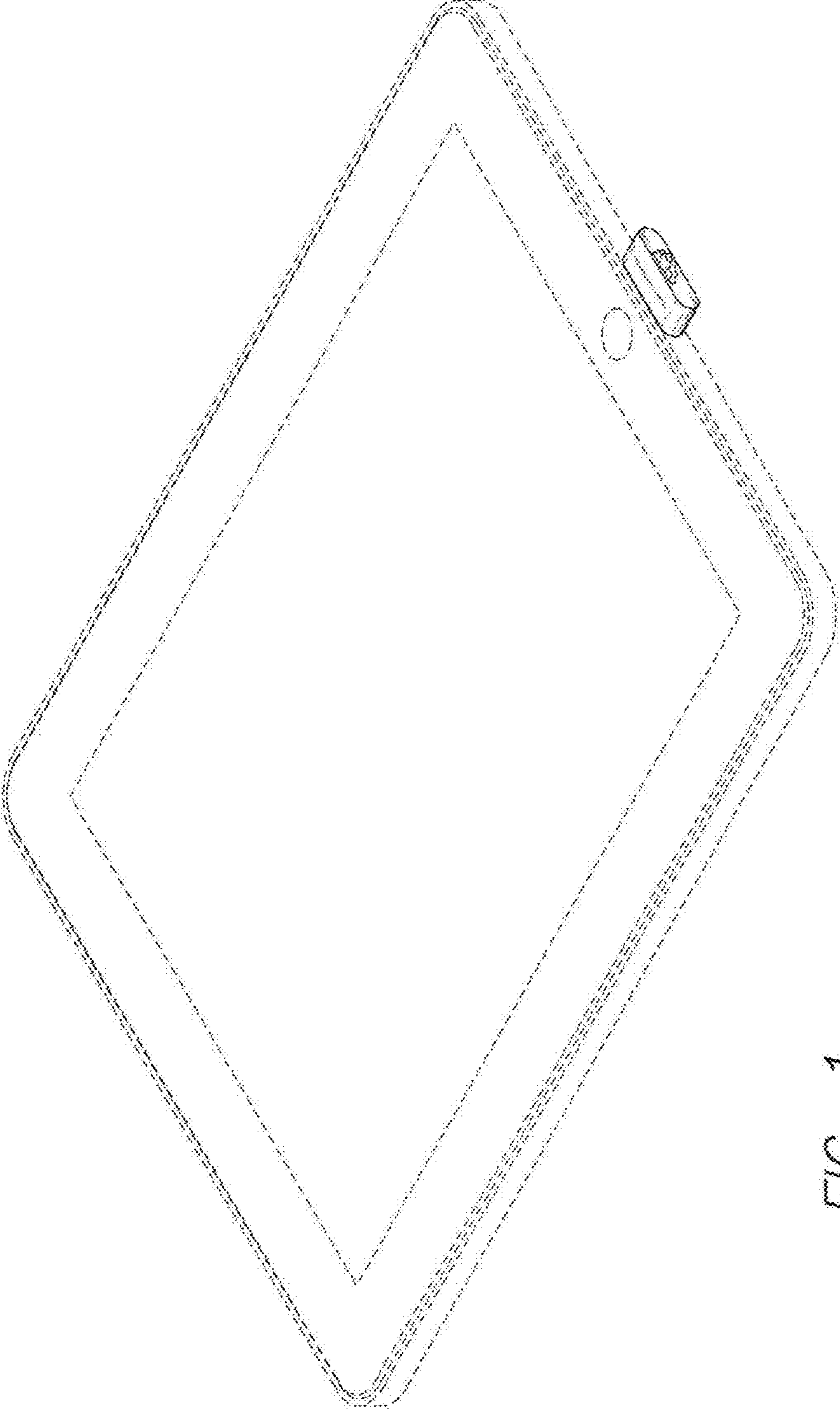
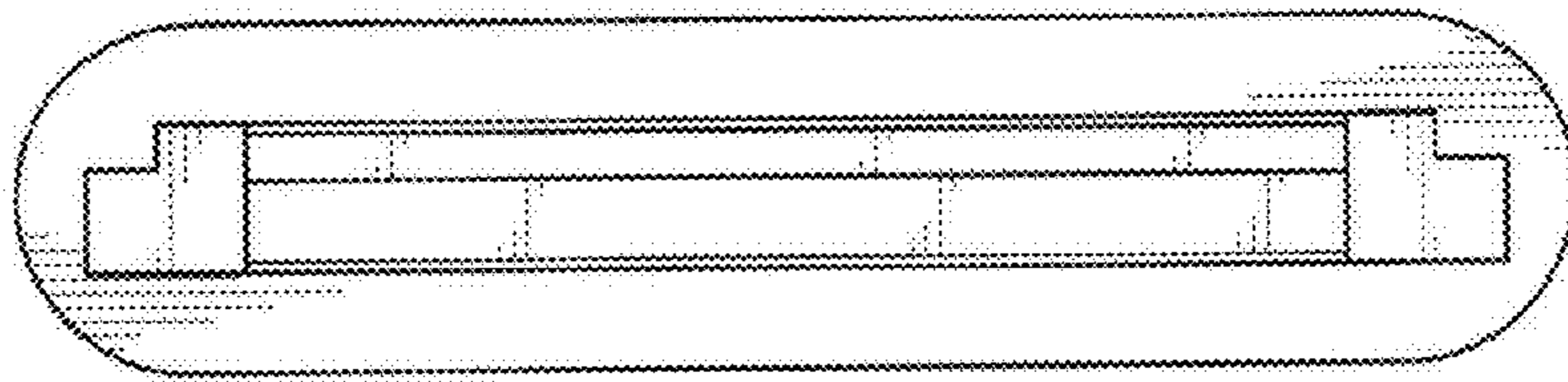
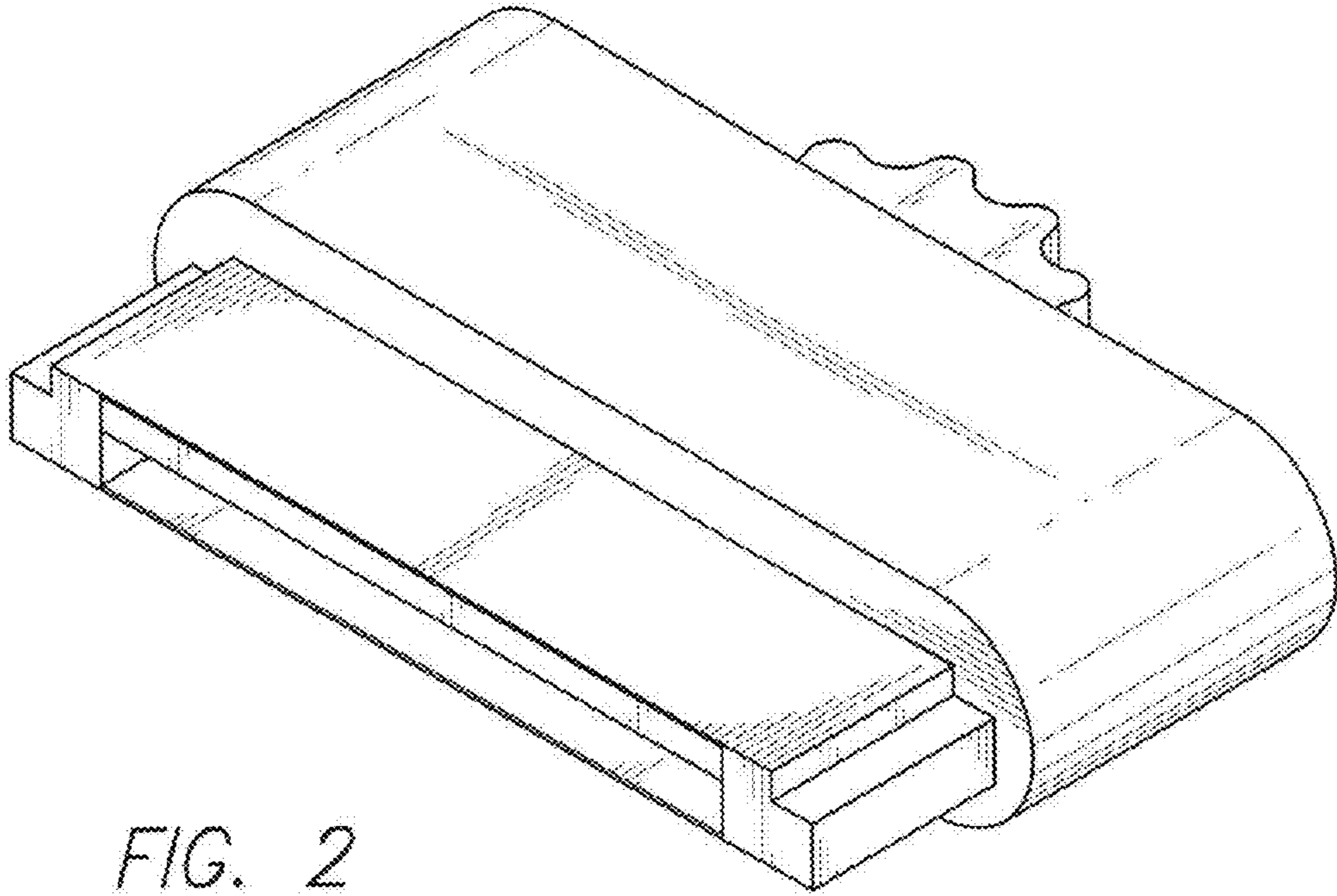


FIG. 1



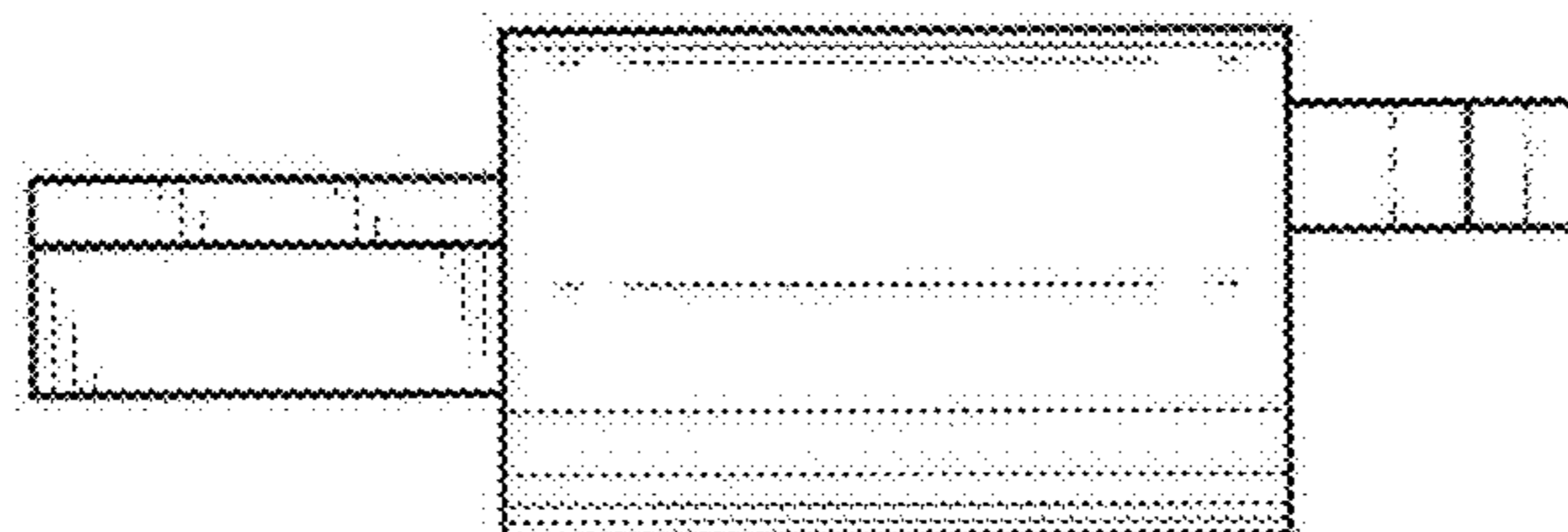


FIG. 4

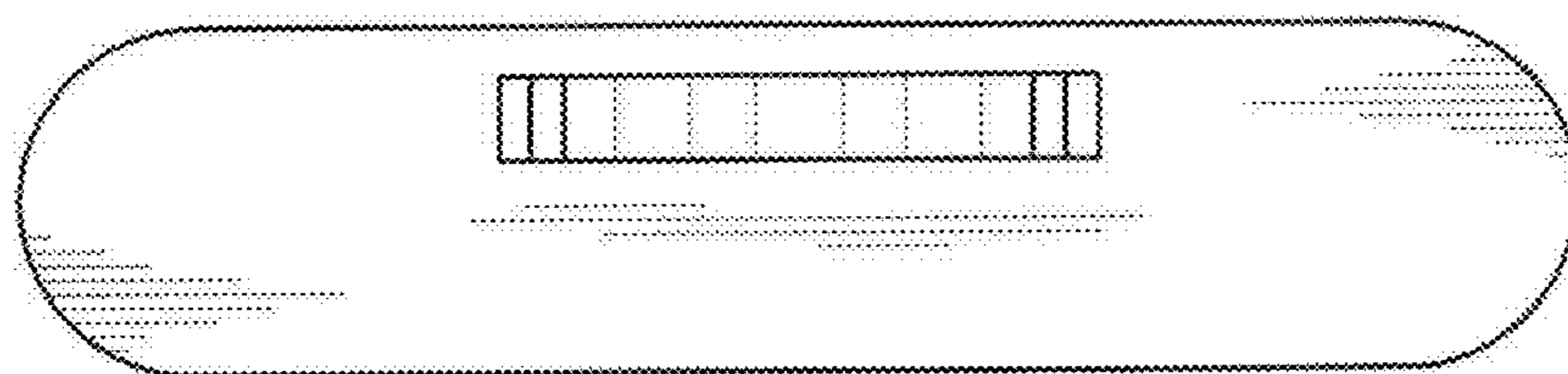


FIG. 5

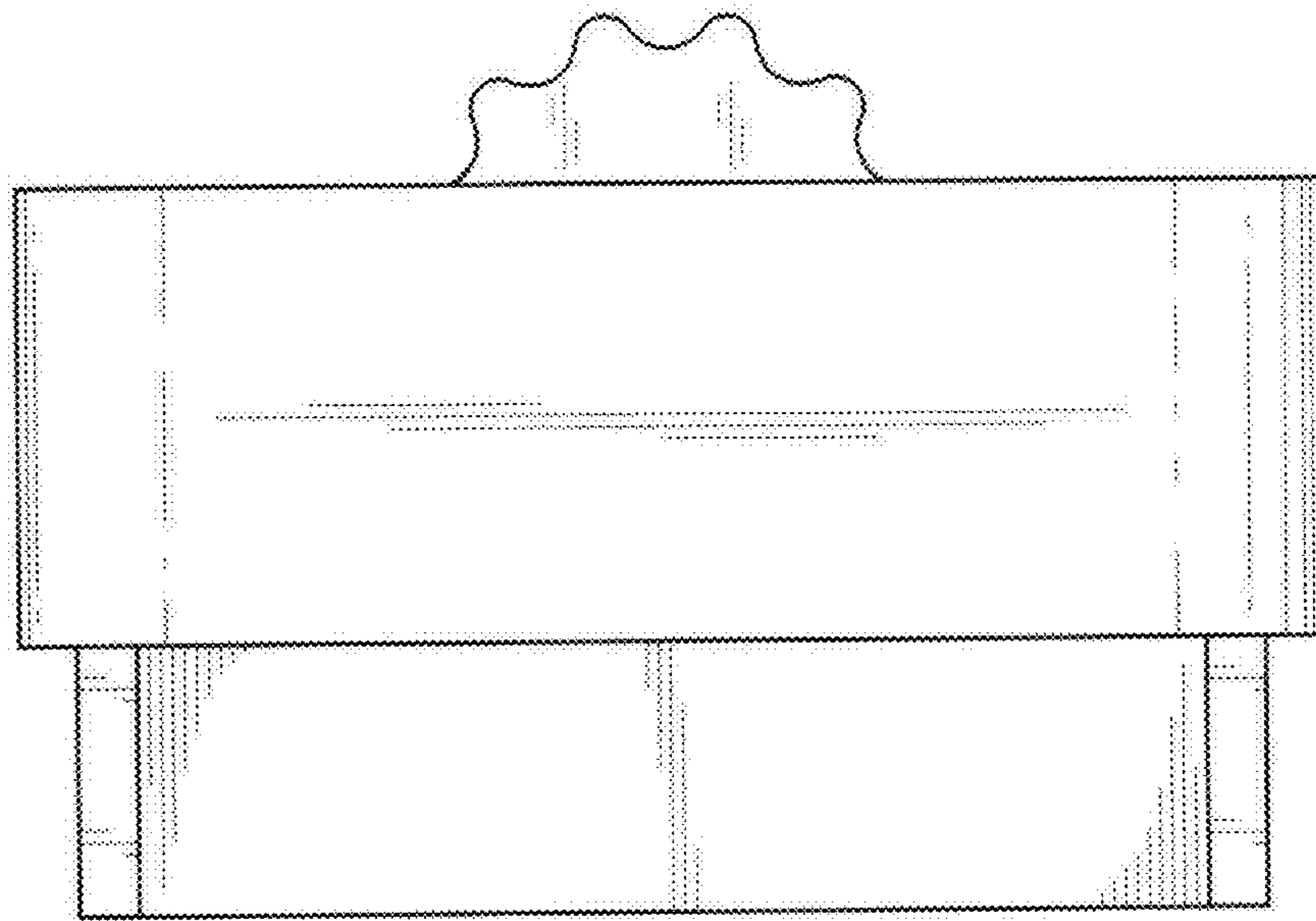


FIG. 6

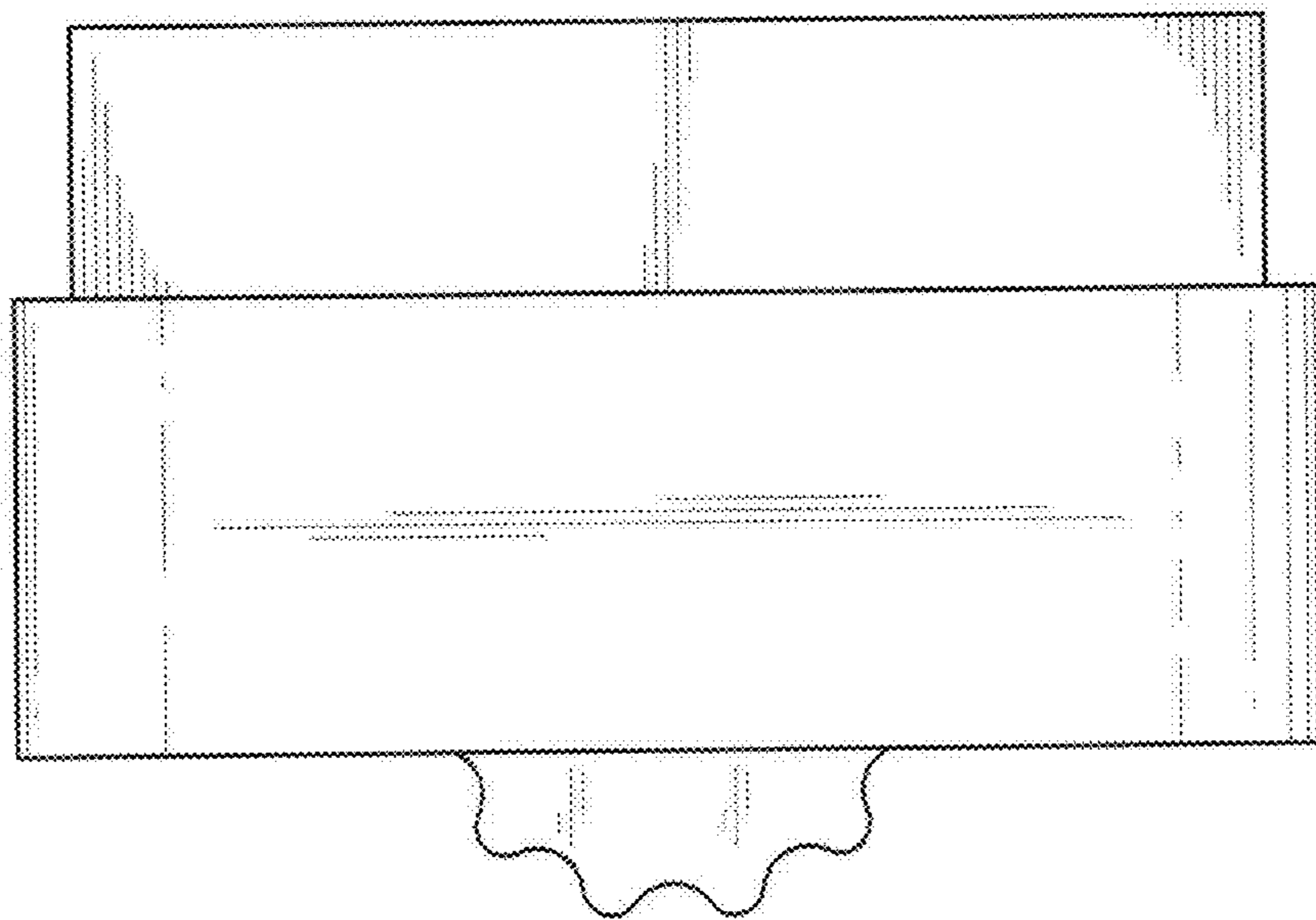


FIG. 7