

US00D692426S

(12) **United States Design Patent**
Gervais et al.

(10) **Patent No.:** **US D692,426 S**

(45) **Date of Patent:** **** Oct. 29, 2013**

- (54) **TOUCHLESS POINTING DEVICE**
- (75) Inventors: **William J. Gervais**, Northridge, CA (US); **Mark H. Helmick**, Ventura, CA (US)
- (73) Assignee: **Qualstar Corporation**, Simi Valley, CA (US)

8,354,997	B2 *	1/2013	Boillot	345/158
D683,349	S *	5/2013	Hong et al.	D14/448
2002/0021287	A1 *	2/2002	Tomasi et al.	345/168
2011/0090147	A1 *	4/2011	Gervais et al.	345/157
2012/0019442	A1 *	1/2012	Warne	345/157
2012/0133582	A1 *	5/2012	Ohsawa et al.	345/157
2013/0055143	A1 *	2/2013	Martin et al.	715/779
2013/0100022	A1 *	4/2013	Thompson et al.	345/163
2013/0120252	A1 *	5/2013	Lam et al.	345/157

(**) Term: **14 Years**

* cited by examiner

(21) Appl. No.: **29/407,746**

Primary Examiner — Deanna L Fluegeman

(22) Filed: **Dec. 1, 2011**

(74) *Attorney, Agent, or Firm* — Paul Y. Feng; The Eclipse Group LLP

(51) **LOC (9) Cl.** **14-02**

(57) **CLAIM**

(52) **U.S. Cl.**
USPC **D14/388**; D14/448

The ornamental design for a touchless pointing device, as shown and described.

(58) **Field of Classification Search**
USPC D14/432, 433, 439, 448, 449, 450, 454, D14/388, 389; 345/157; 353/79; 715/779; 463/47

DESCRIPTION

See application file for complete search history.

FIG. 1 is a front perspective view of the touchless pointing device as mounted to a display device, showing the new design;

FIG. 2 is rear perspective view of the touchless pointing device as mounted to a display device from FIG. 1;

FIG. 3 is a front view of the touchless pointing device as mounted to a display device from FIG. 1;

FIG. 4 is a front elevational view of the FIG. 1 embodiment;

FIG. 5 is a rear elevational view thereof;

FIG. 6 is a left side elevational view thereof;

FIG. 7 is a right side elevational view thereof;

FIG. 8 is a top plan view thereof; and,

FIG. 9 is a bottom view thereof.

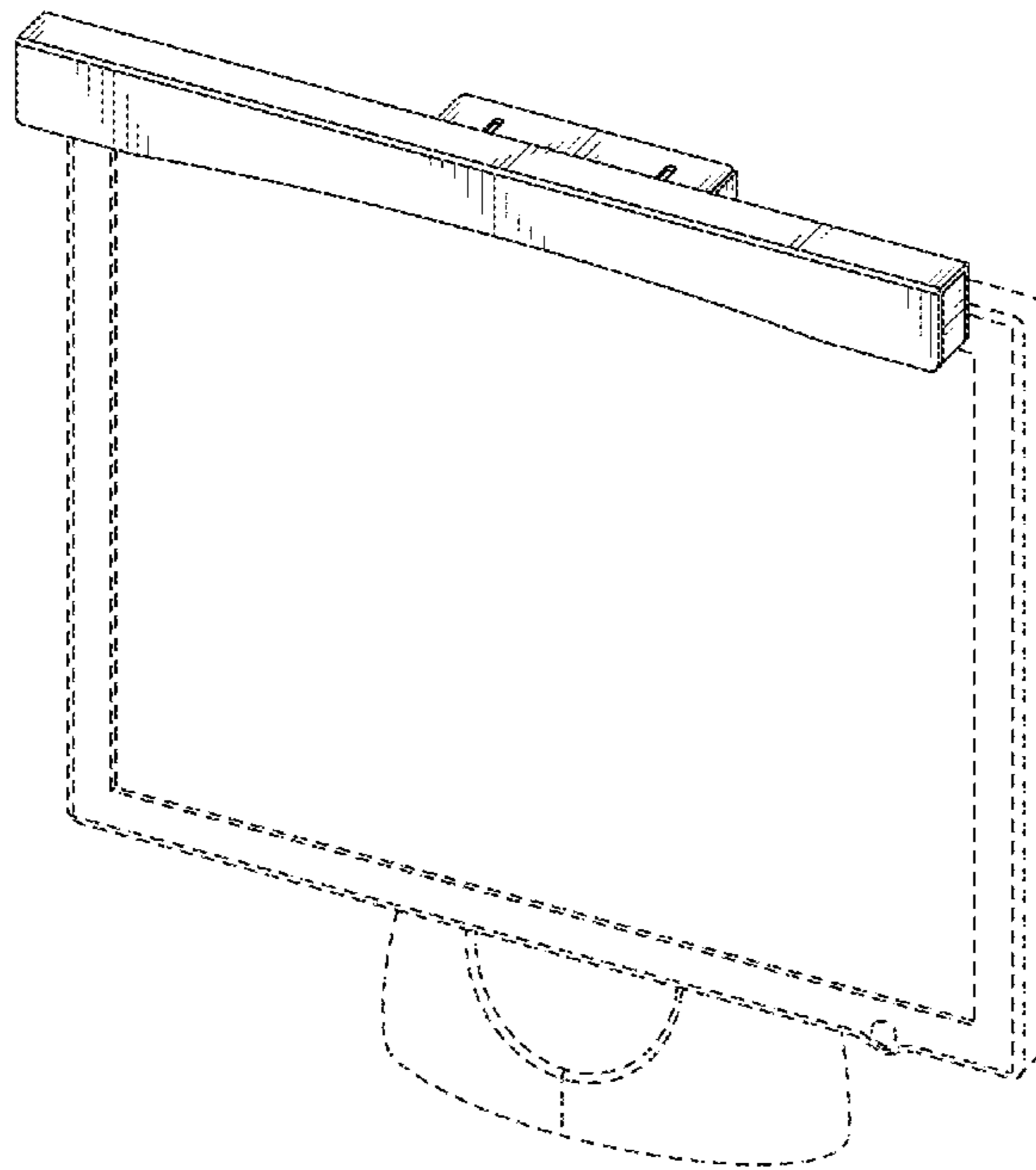
The broken line showing of the display device in FIGS. 1-3 is included for the purpose of illustrating the environment of the claimed design and forms no part thereof.

(56) **References Cited**

U.S. PATENT DOCUMENTS

5,867,146	A *	2/1999	Kim et al.	345/158
6,394,610	B2 *	5/2002	Rodriguez, Jr.	353/79
6,520,646	B2 *	2/2003	Rodriguez et al.	353/69
6,967,644	B1 *	11/2005	Kobayashi	345/158
7,230,611	B2 *	6/2007	Bischoff	345/175
D569,371	S *	5/2008	Staros et al.	D14/217
D583,876	S *	12/2008	Ashida et al.	D21/333
7,834,847	B2 *	11/2010	Boillot et al.	345/156
D629,882	S *	12/2010	Nguyen	D23/386
D649,152	S *	11/2011	Gervais et al.	D14/402
D654,922	S *	2/2012	Nguyen	D14/449
8,139,029	B2 *	3/2012	Boillot et al.	345/158
8,334,841	B2 *	12/2012	Boillot et al.	345/158

1 Claim, 6 Drawing Sheets



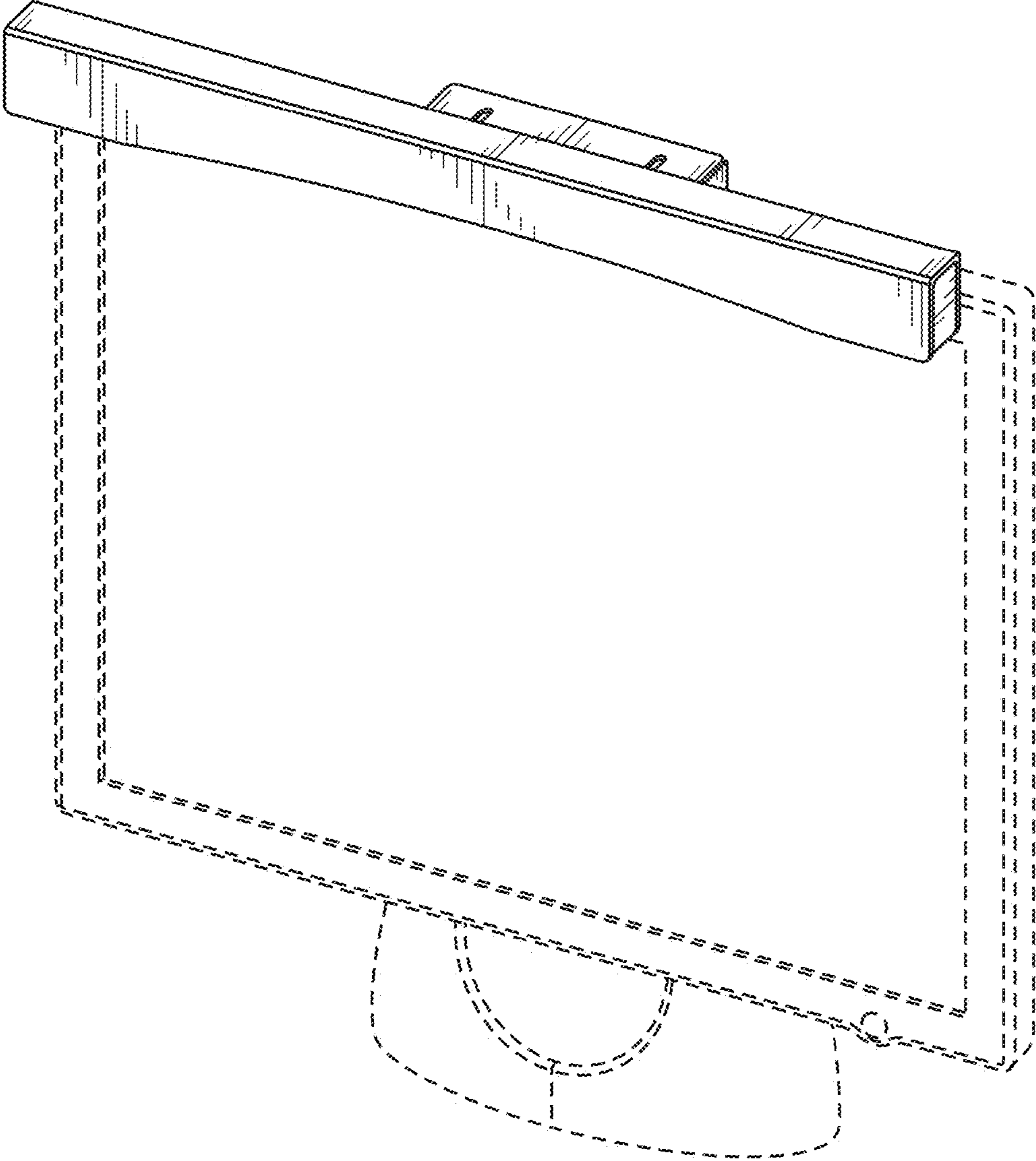


FIG. 1

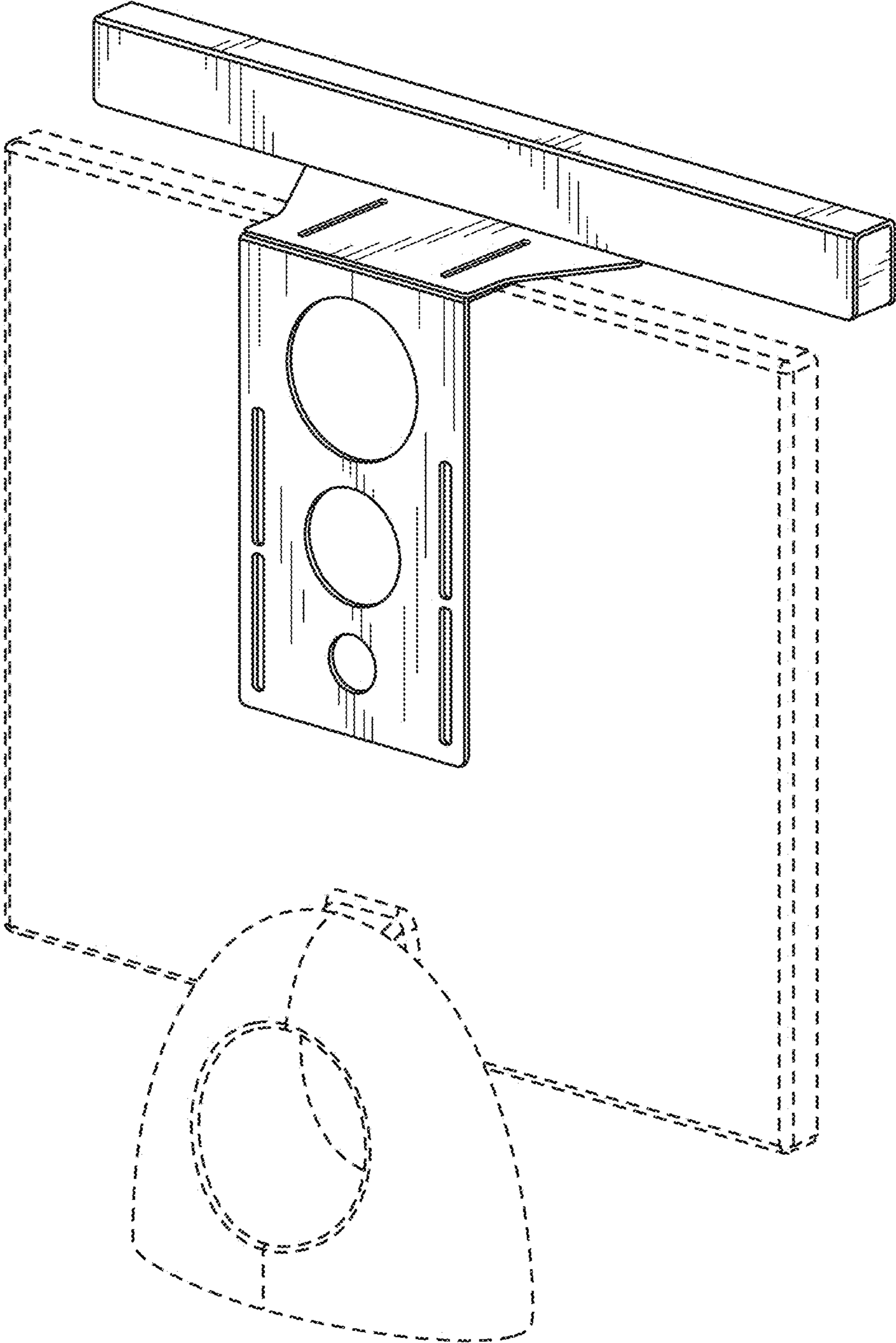


FIG. 2

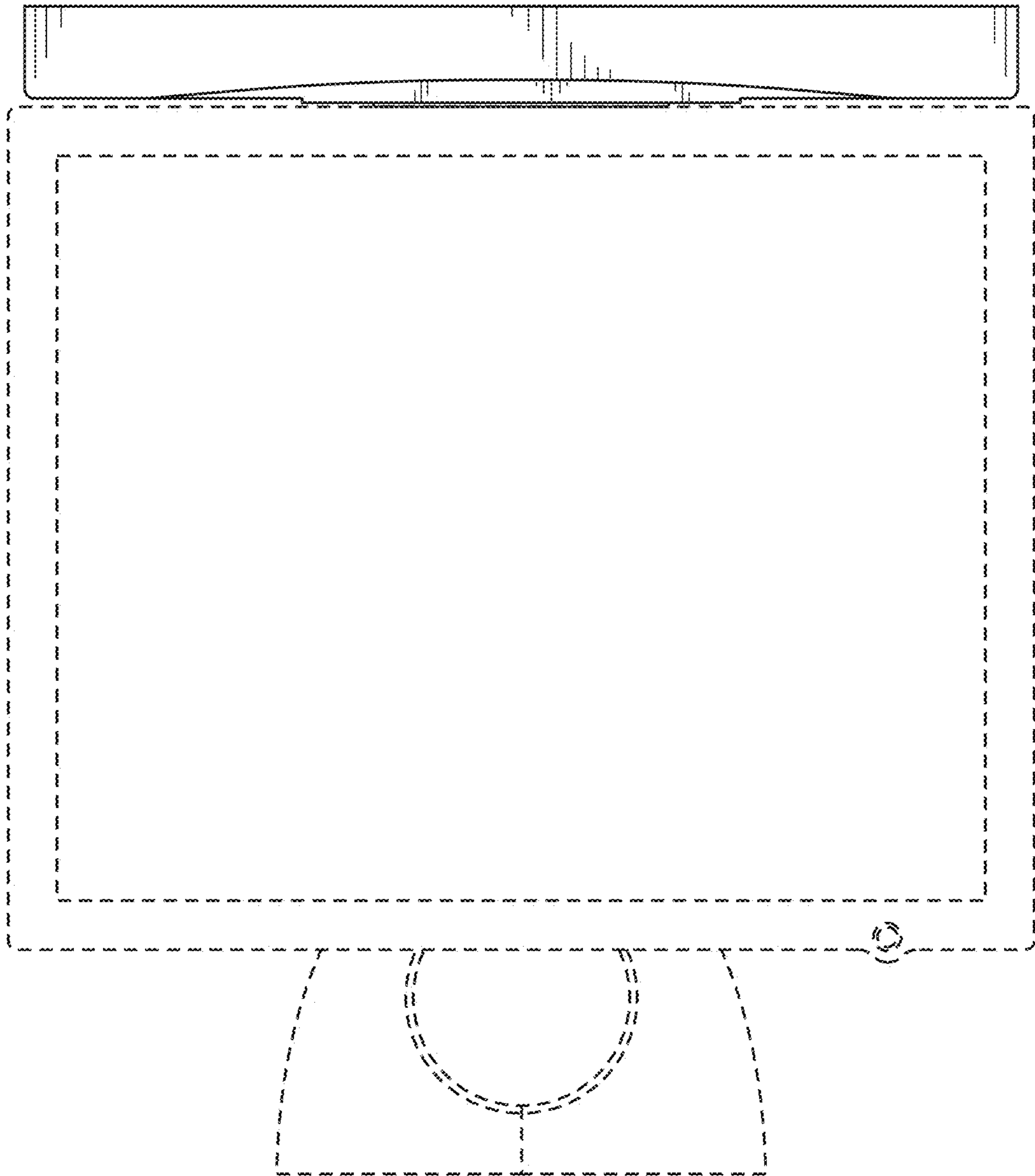


FIG. 3

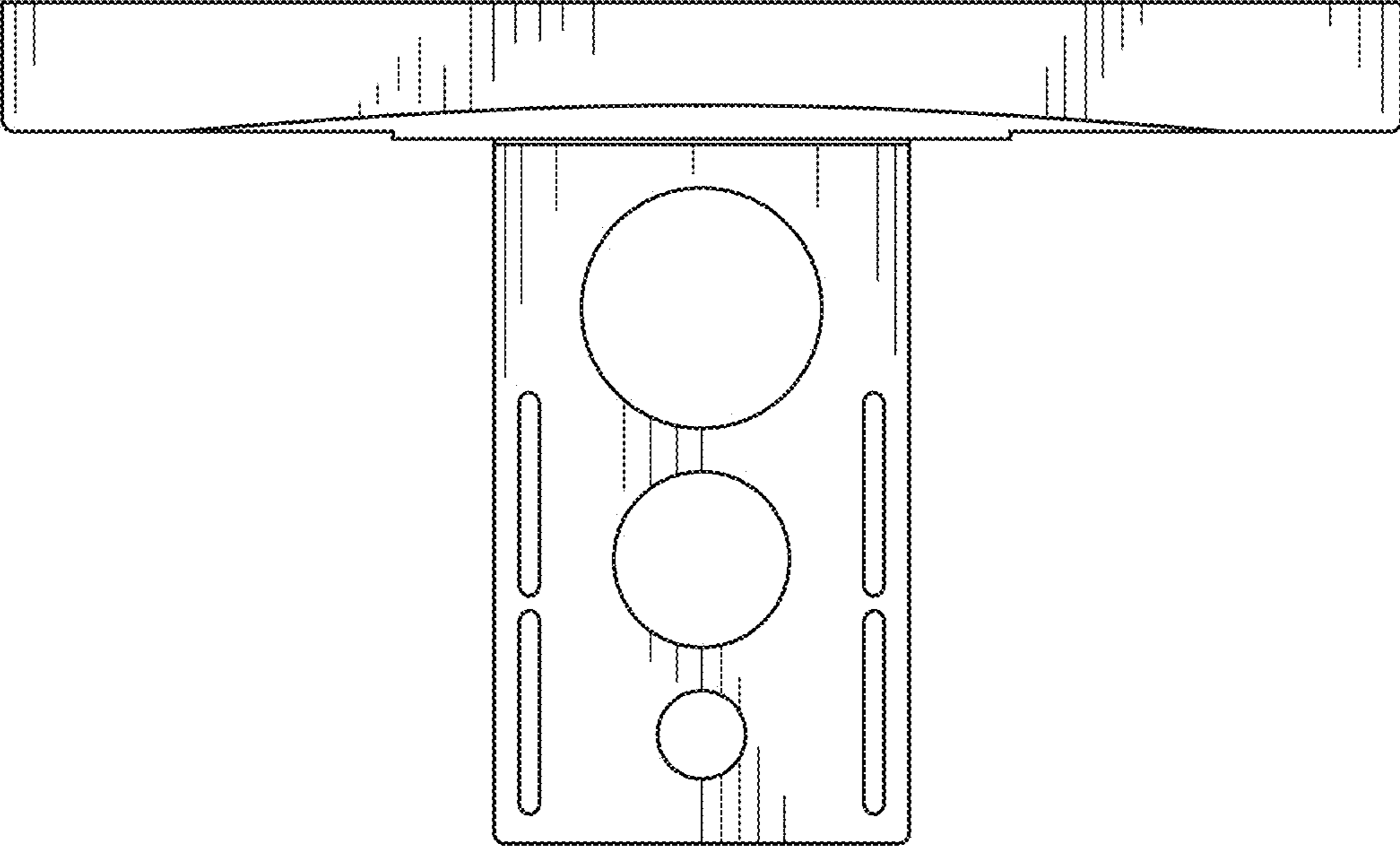


FIG. 4

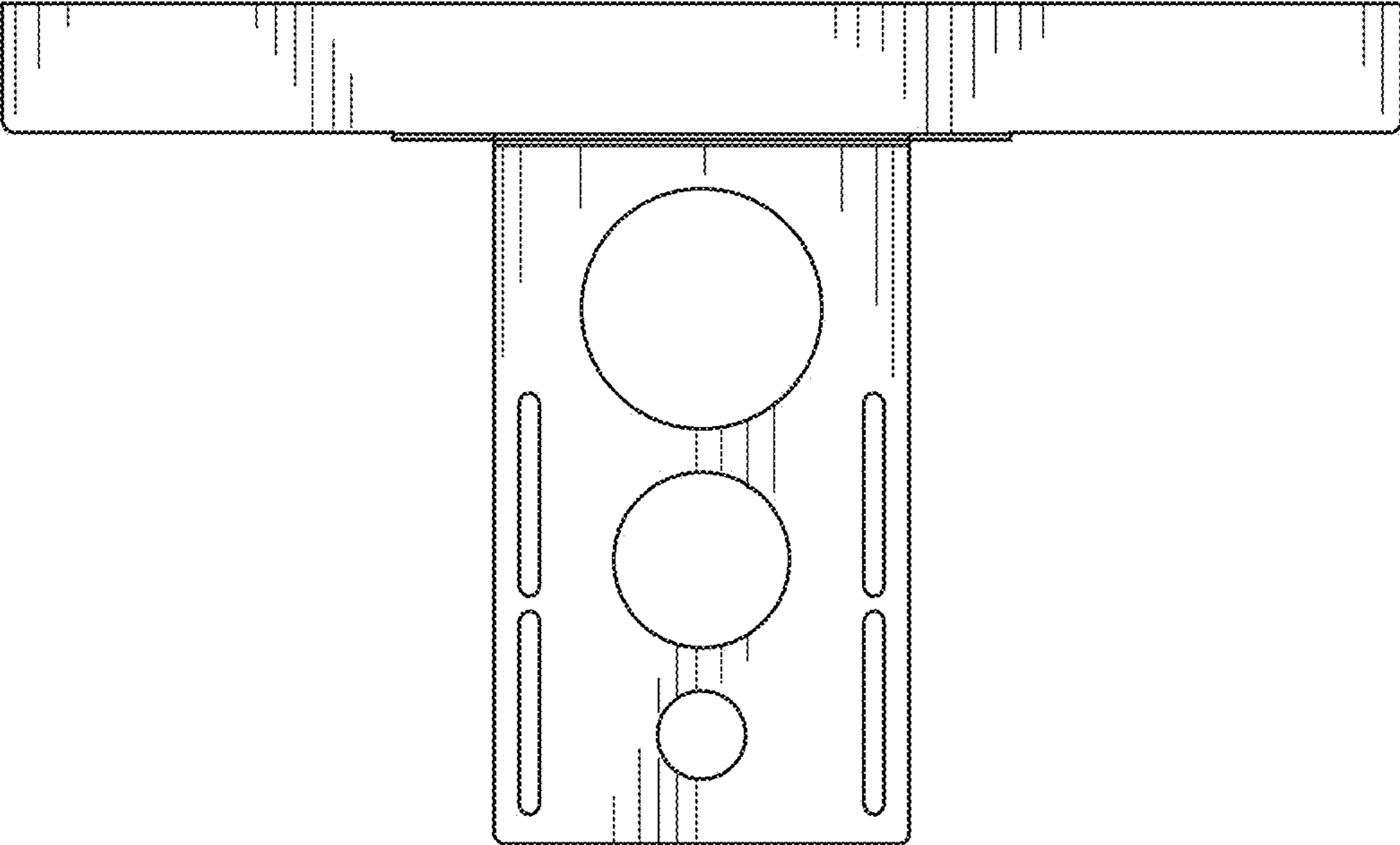


FIG. 5

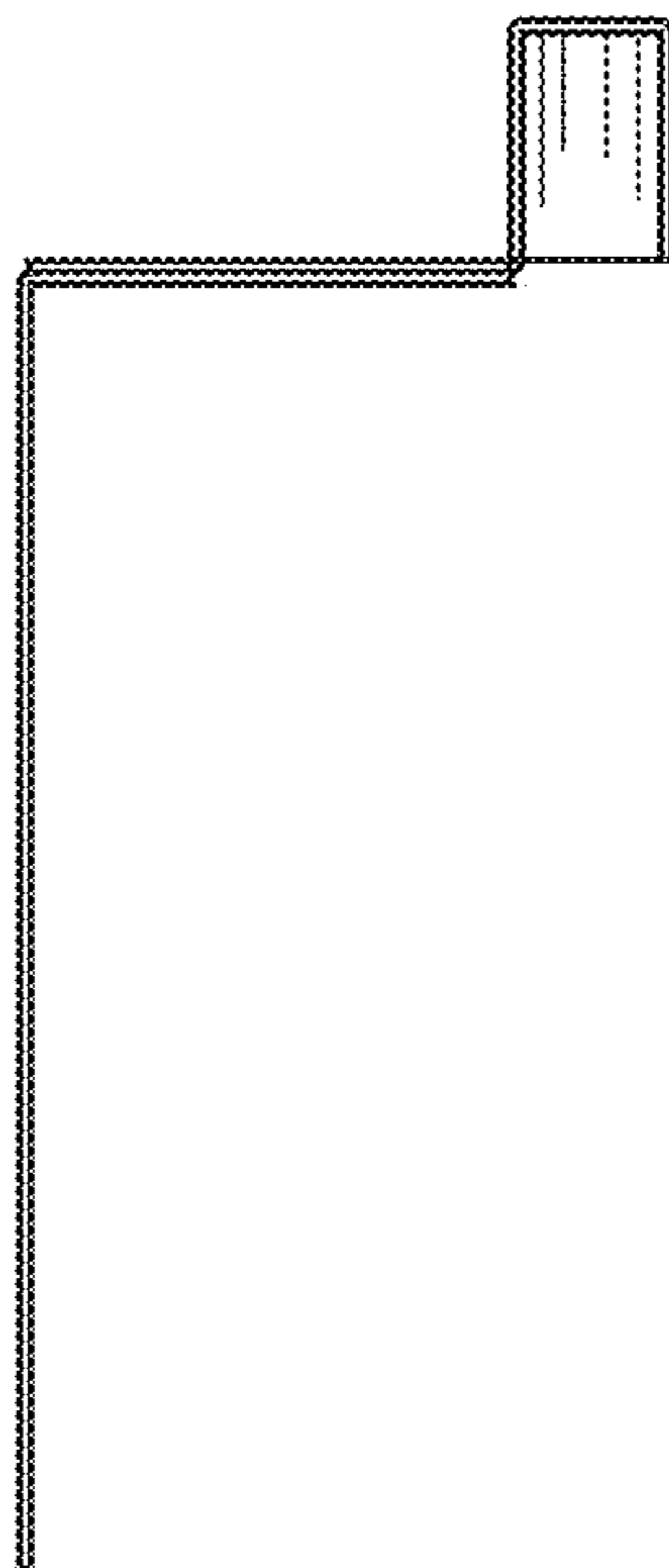


FIG. 6

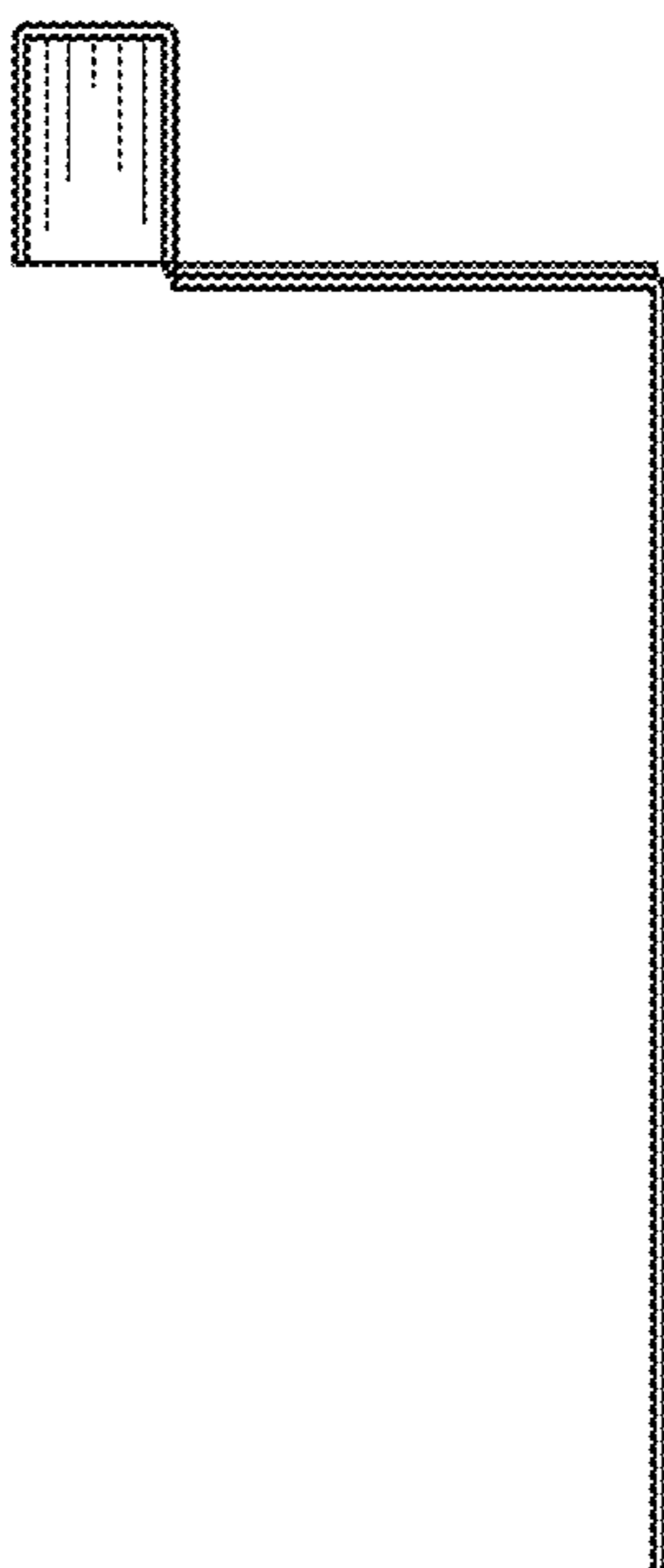


FIG. 7

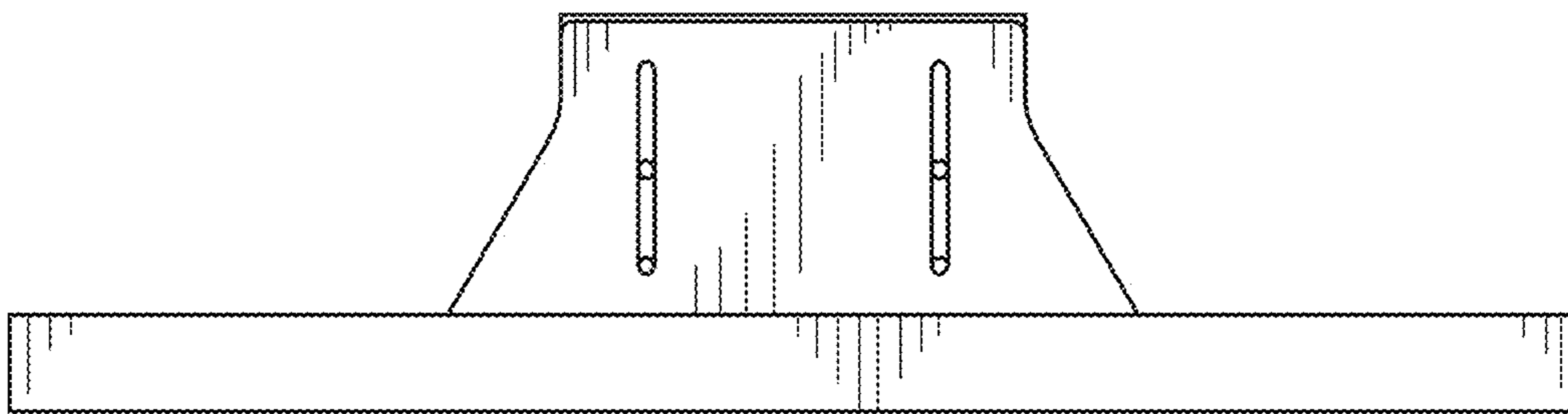


FIG. 8

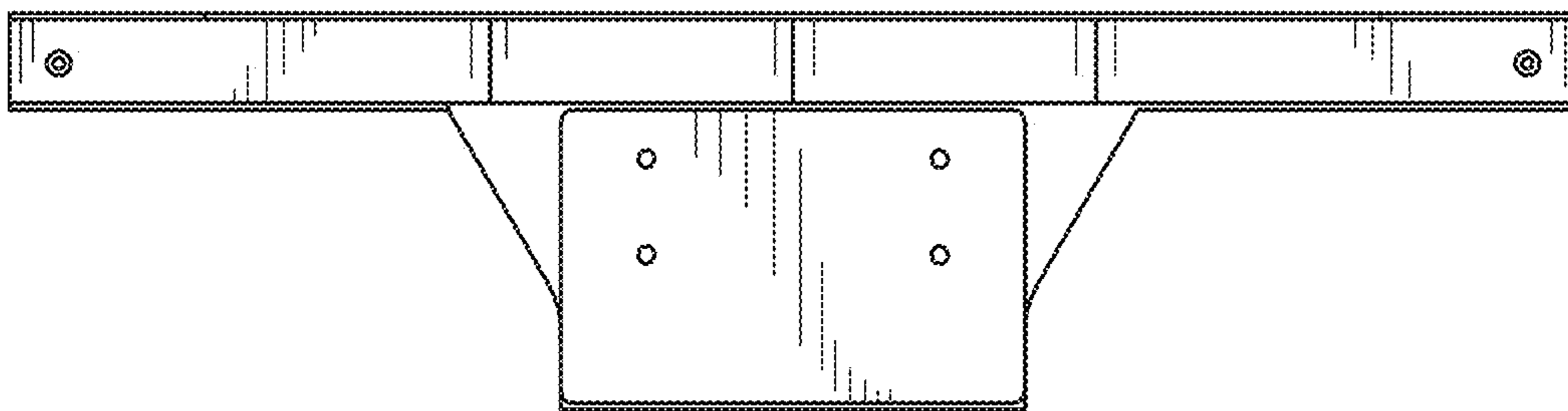


FIG. 9