



US00D692424S

(12) **United States Design Patent**
Pombo et al.

(10) **Patent No.:** **US D692,424 S**
(45) **Date of Patent:** **** Oct. 29, 2013**

(54) **SWAPPABLE HEADSET COMPUTER WITH REVERSIBLE DISPLAY AND TEMPLE SUPPORTS**

(71) Applicant: **Kopin Corporation**, Taunton, MA (US)

(72) Inventors: **Stephen A. Pombo**, Campbell, CA (US);
Raphael Hebert, Santa Cruz, CA (US)

(73) Assignee: **Kopin Corporation**, Westborough, MA (US)

(**) Term: **14 Years**

(21) Appl. No.: **29/438,635**

(22) Filed: **Nov. 30, 2012**

(51) **LOC (9) Cl.** **14-02**

(52) **U.S. Cl.**
USPC **D14/372**

(58) **Field of Classification Search**
USPC D14/372, 496, 432, 371, 125, 126, 129,
D14/299; D16/300-342; 351/158, 153, 144;
345/7-9, 905; 455/344; 348/115, 53,
348/121, 739
See application file for complete search history.

(56) **References Cited**

U.S. PATENT DOCUMENTS

D338,514 S * 8/1993 Holmes D14/372
D363,482 S * 10/1995 Robinson et al. D14/372
D369,595 S * 5/1996 Kober et al. D14/372

D370,909 S * 6/1996 Oikawa et al. D14/372
D439,265 S * 3/2001 Hayashi D16/300
D440,967 S * 4/2001 Jung D14/372
D517,066 S * 3/2006 Travers et al. D14/372
D521,493 S * 5/2006 Wai D14/205
D571,366 S * 6/2008 Lee et al. D14/372
D640,256 S * 6/2011 So D14/372
D645,862 S * 9/2011 Paul D14/372
D669,471 S * 10/2012 Hwang et al. D14/372

* cited by examiner

Primary Examiner — Austin Murphy

(74) *Attorney, Agent, or Firm* — Hamilton, Brook, Smith & Reynolds, P.C.

(57) **CLAIM**

The ornamental design for a swappable headset computer with reversible display and temple supports, as shown and described.

DESCRIPTION

FIG. 1 is front perspective view of a swappable headset computer with reversible display and temple supports illustrating the Applicant's new design.

FIG. 2 is a front view of the swappable headset computer.

FIG. 3 is a right view of the swappable headset computer.

FIG. 4 is a top view of the swappable headset computer.

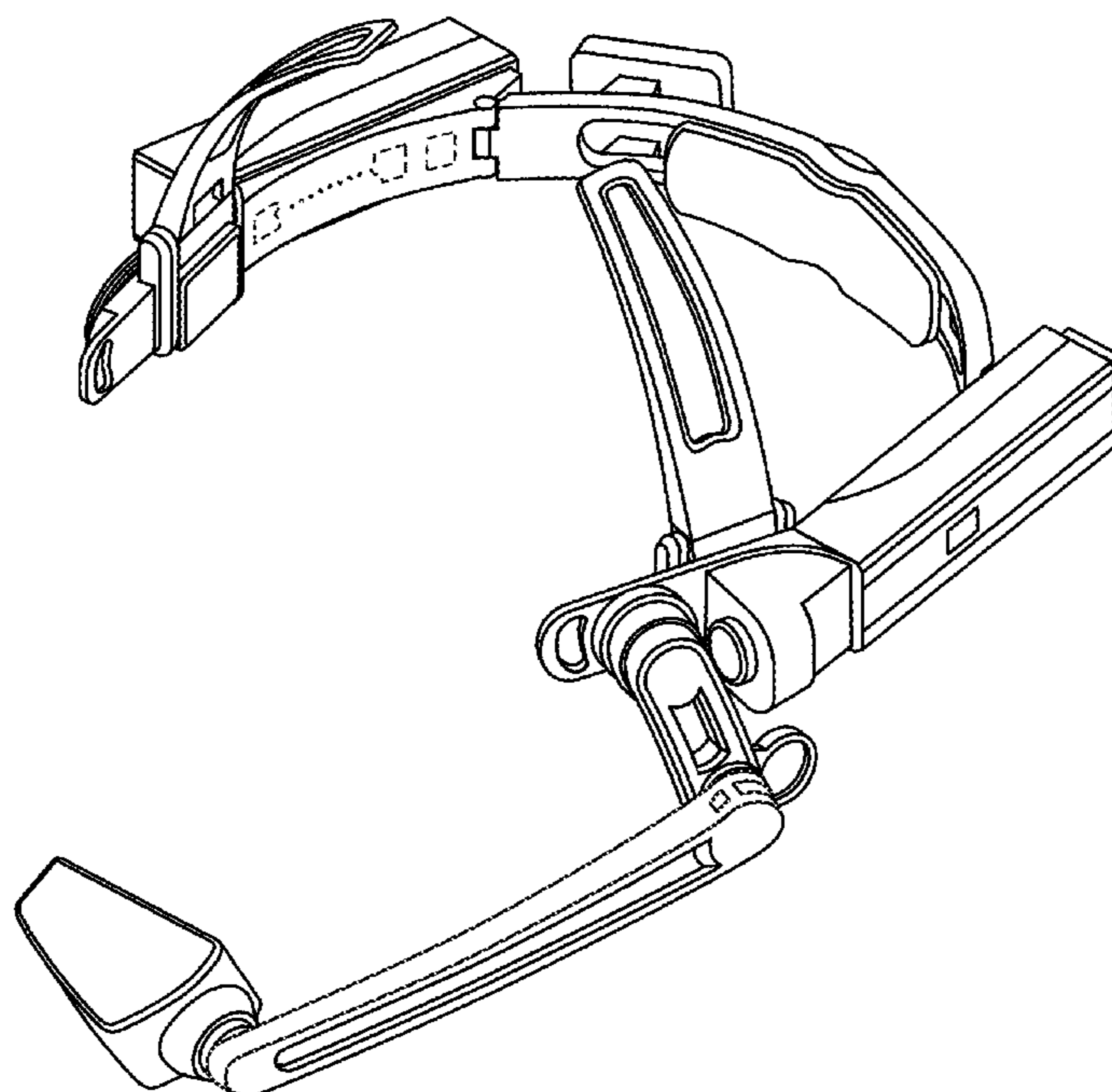
FIG. 5 is a back view of the swappable headset computer.

FIG. 6 is a left view of the swappable headset computer; and,

FIG. 7 is a bottom view of the swappable headset computer.

The broken lines shown in the drawings form no part of the claimed design.

1 Claim, 7 Drawing Sheets



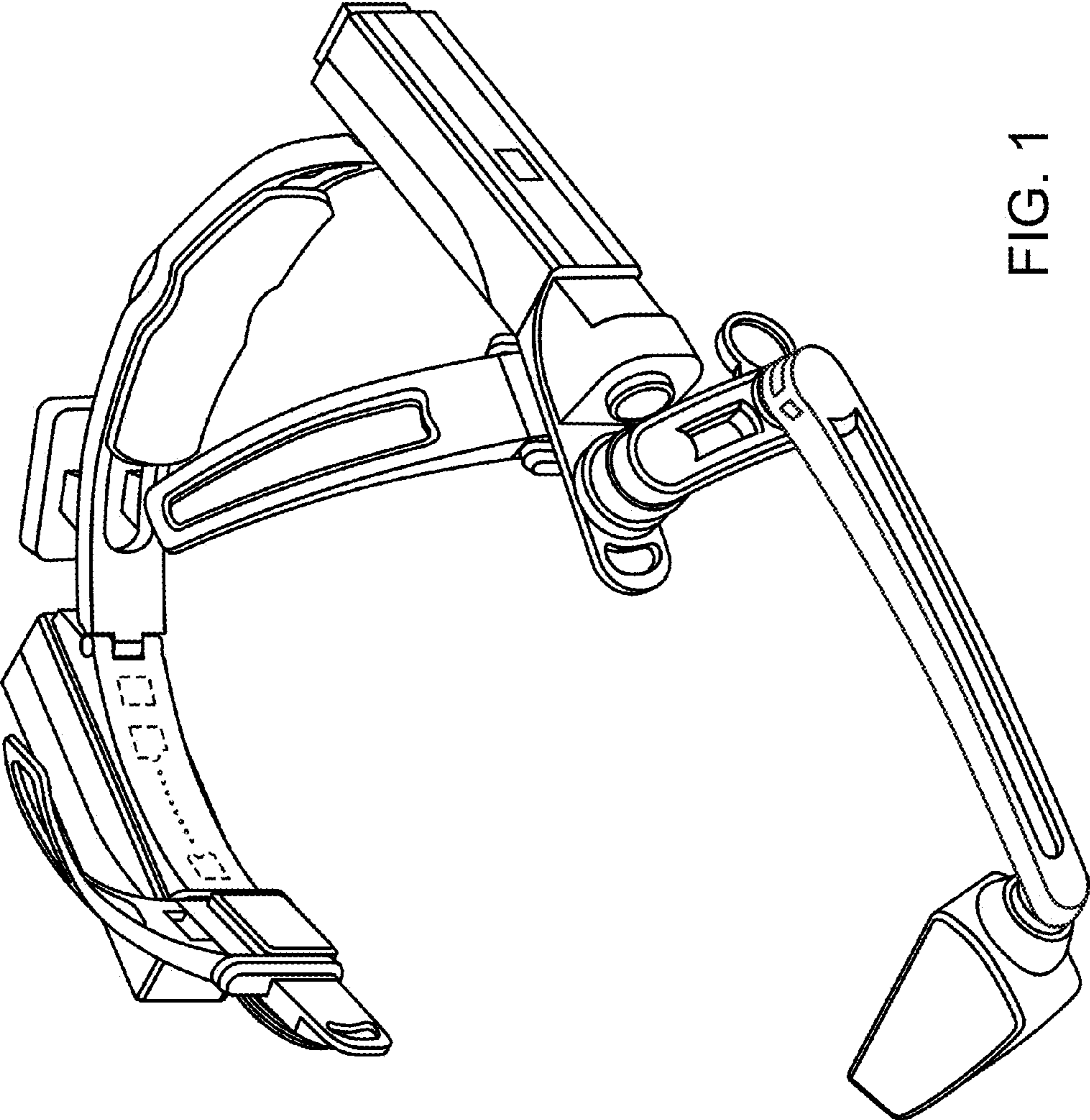


FIG. 1

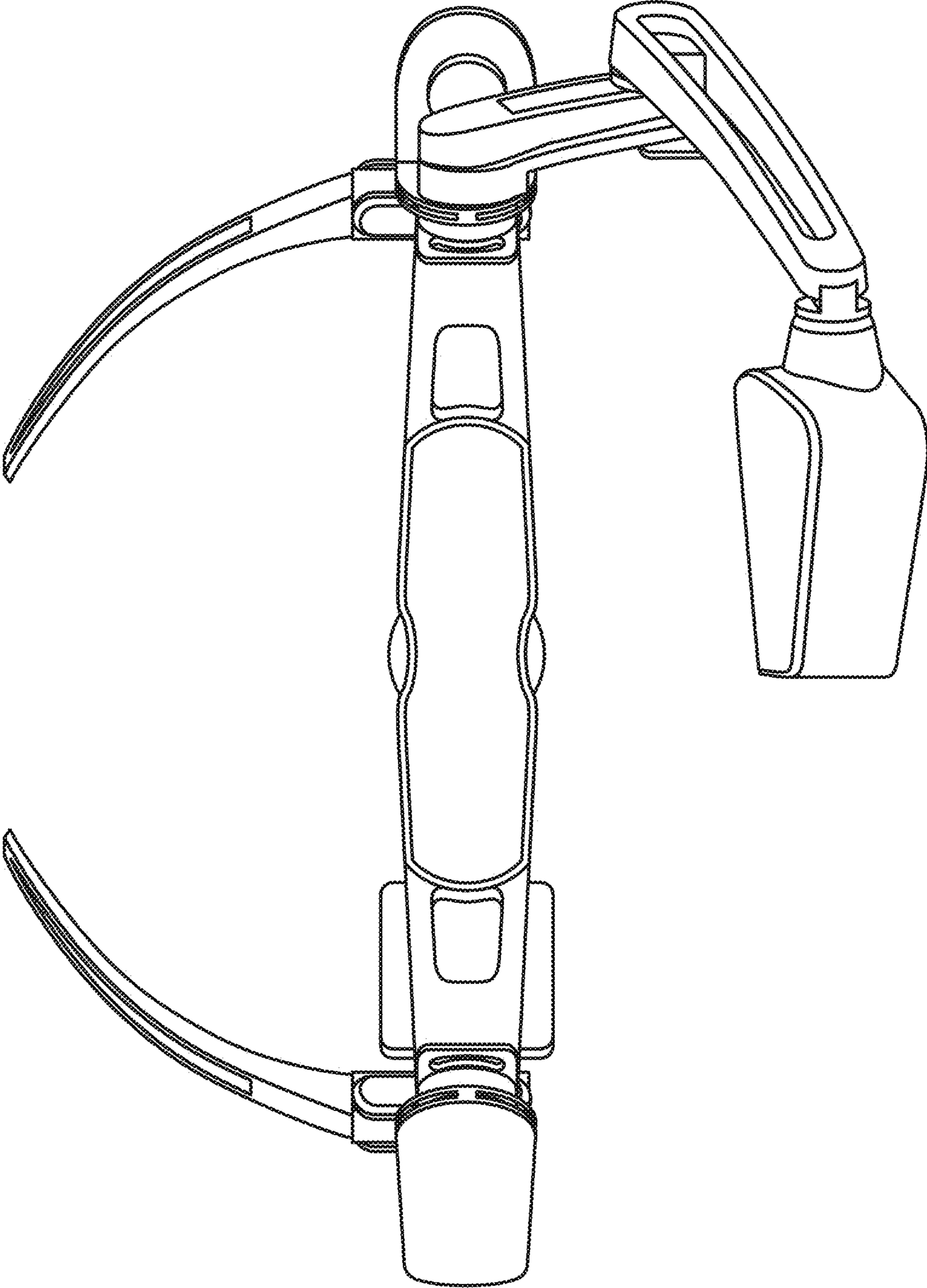


FIG. 2

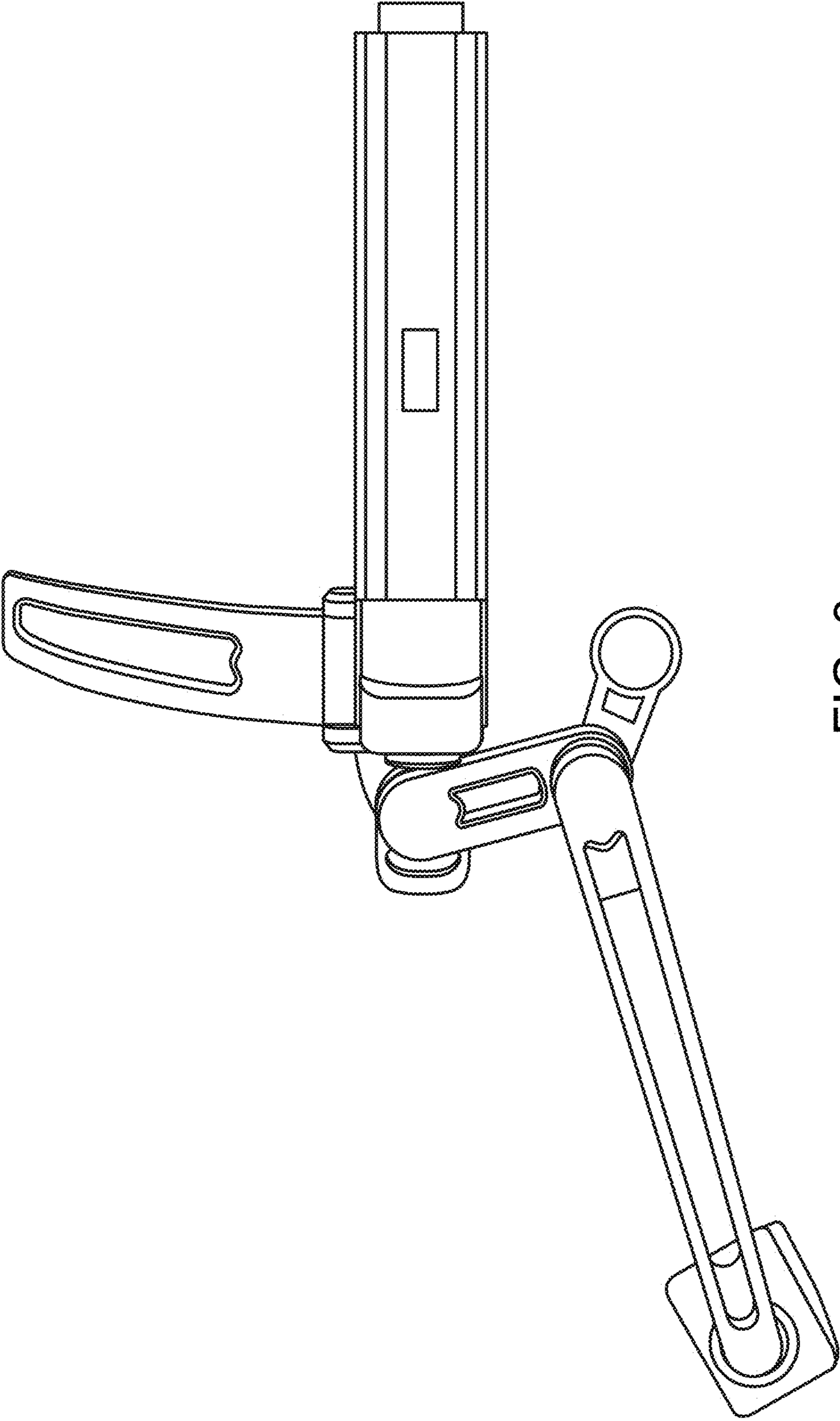


FIG. 3

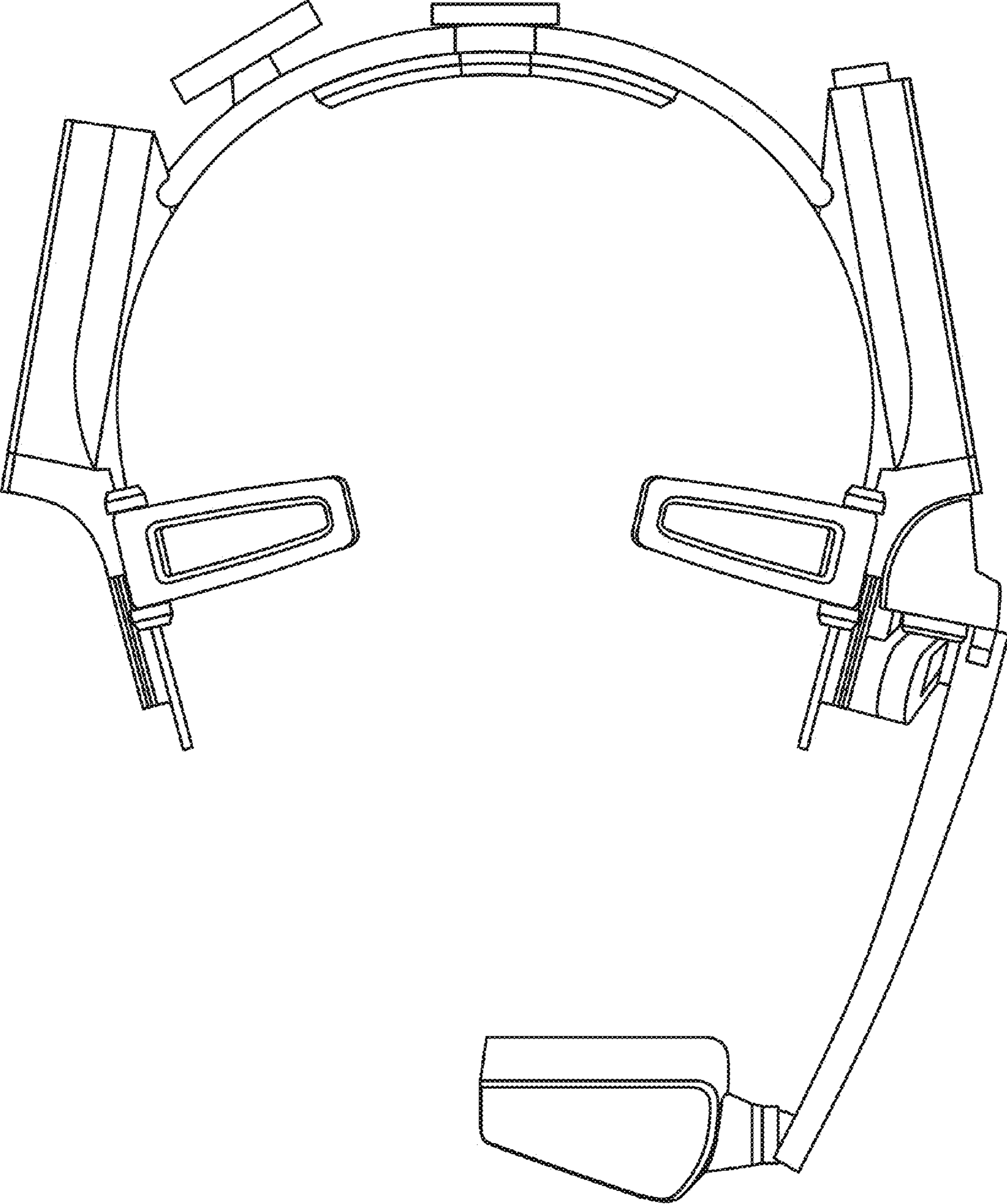


FIG. 4

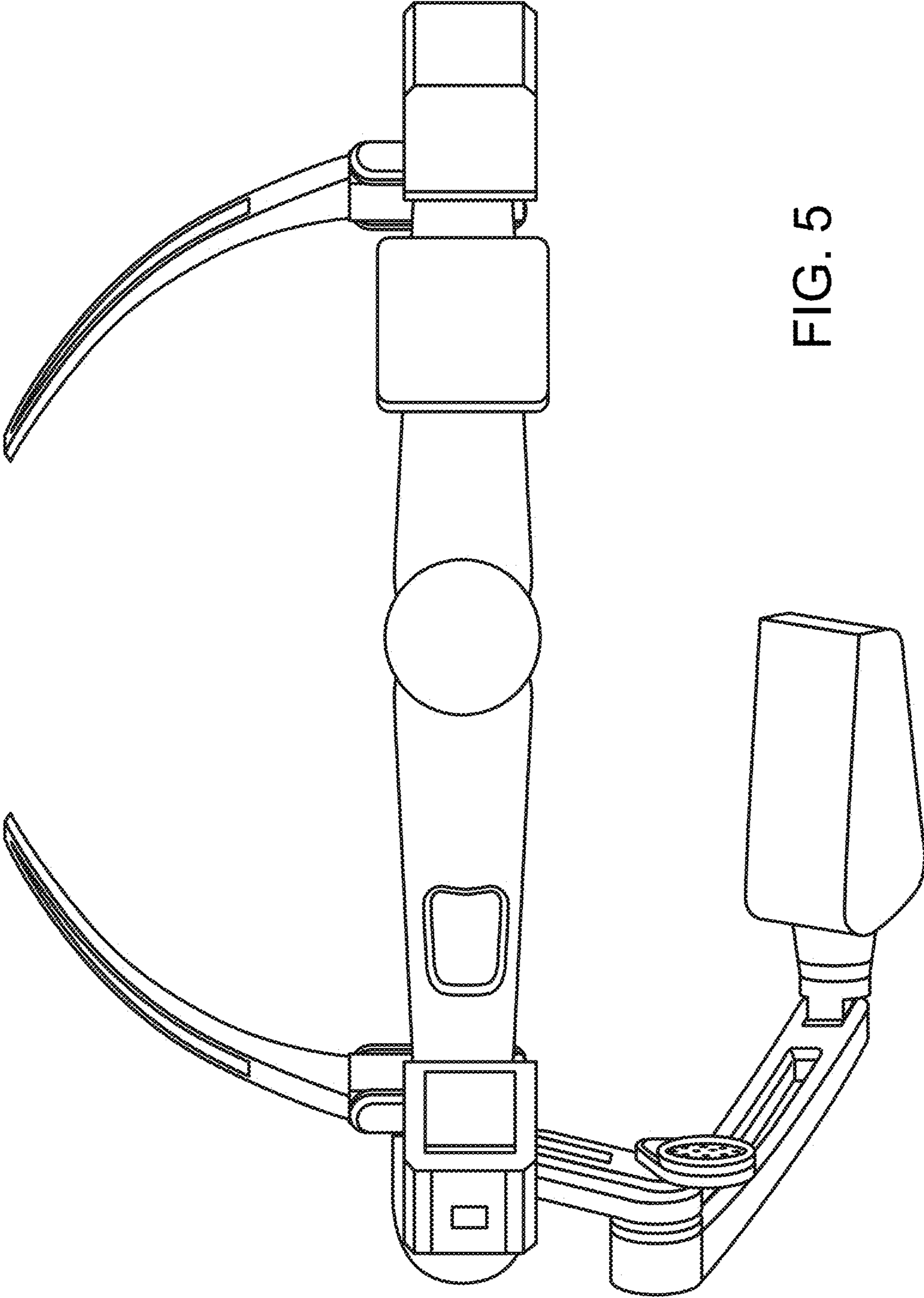


FIG. 5

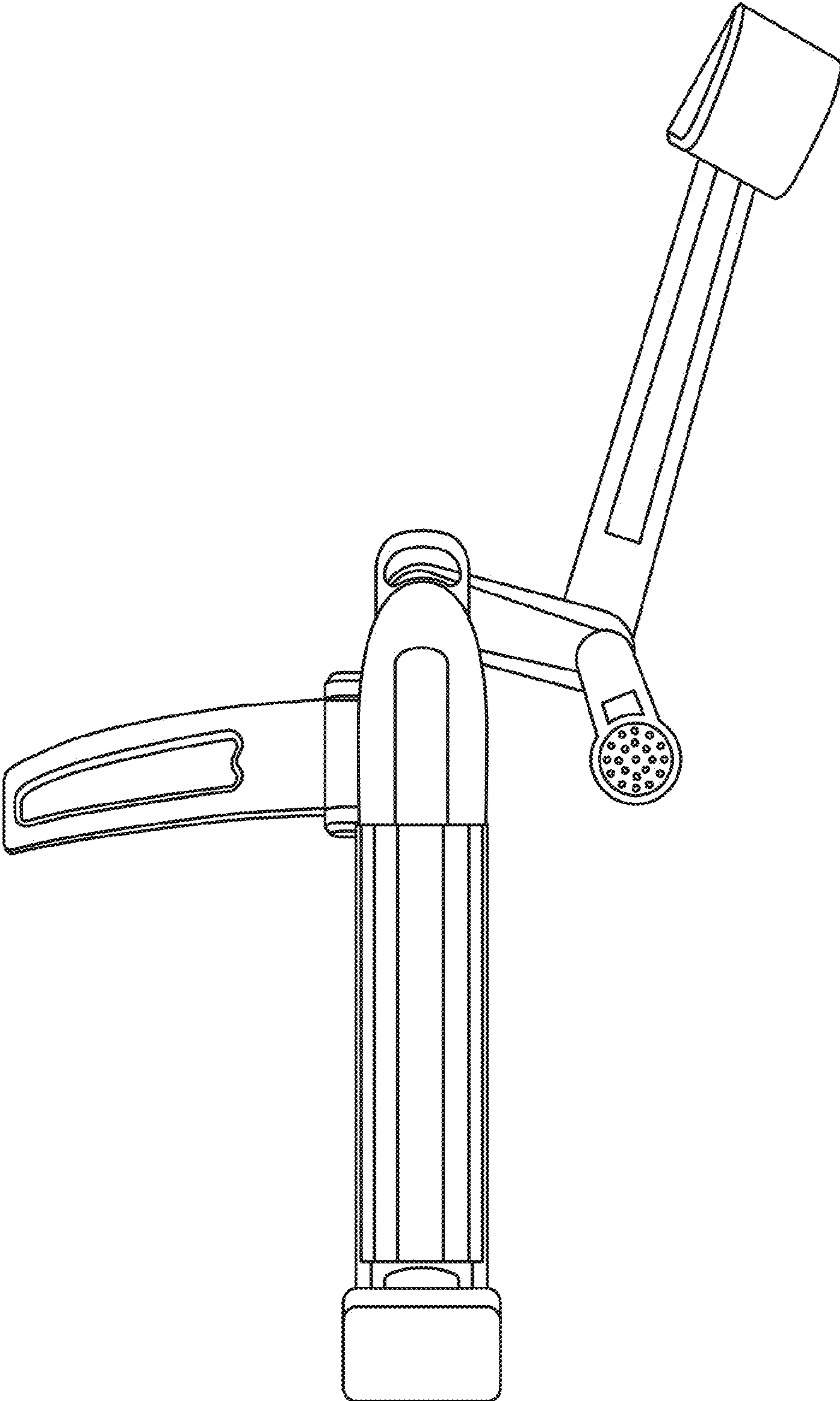


FIG. 6

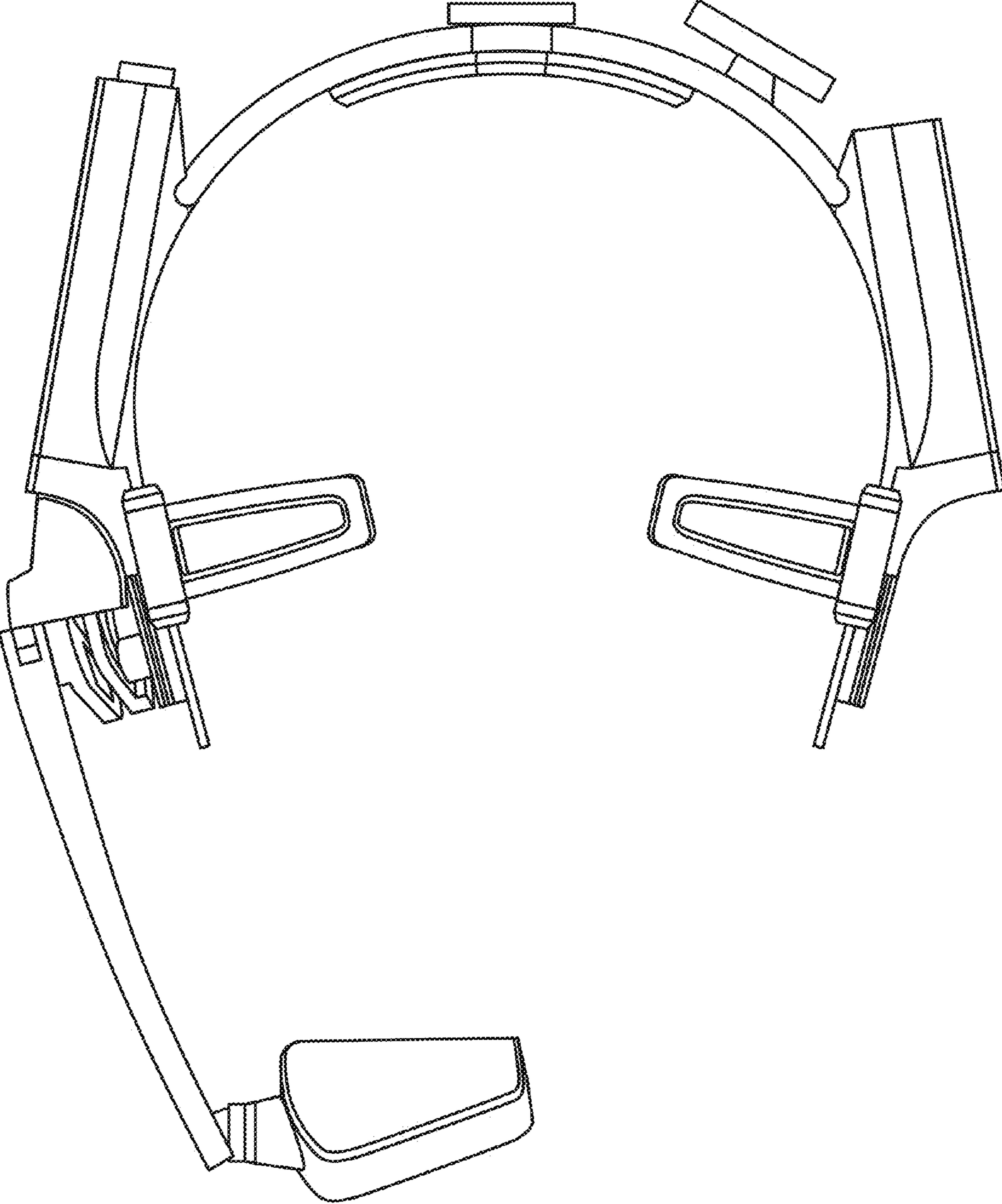


FIG. 7