



US00D692420S

(12) **United States Design Patent**  
**McManigal et al.**

(10) **Patent No.:** **US D692,420 S**

(45) **Date of Patent:** **\*\* Oct. 29, 2013**

(54) **TABLET COMPUTER**

(75) Inventors: **Scott Paul McManigal**, Newport Beach,  
CA (US); **Cory Worth**, Ladera Ranch,  
CA (US)

(73) Assignee: **Vizio Inc.**, Irvine, CA (US)

(\*\*) Term: **14 Years**

(21) Appl. No.: **29/412,470**

(22) Filed: **Feb. 3, 2012**

(51) **LOC (9) Cl.** ..... **14-02**

(52) **U.S. Cl.**  
USPC ..... **D14/341**

(58) **Field of Classification Search**  
USPC ..... D14/341-347, 138 C, 137, 138, 138.1,  
D14/138 AA, 138 R, 138 G, 496, 203.1,  
D14/203.3, 203.4, 203.5, 203.7, 432, 129,  
D14/130, 439, 448, 147, 218, 248, 389, 388,  
D14/315-318; D21/324, 331; D19/59-60;  
D10/65, 104; D18/6, 7; 455/556.1,  
455/575.1, 575.3, 575.4; 345/169,  
345/156-157, 168, 173; 341/22, 23;  
361/679.27

See application file for complete search history.

(56) **References Cited**

U.S. PATENT DOCUMENTS

D282,935 S *	3/1986	Shifflett .....	D19/60
D284,084 S *	6/1986	Ferrara, Jr. ....	D14/389
D303,111 S *	8/1989	Paley .....	D14/374
D352,522 S *	11/1994	Tomatsu et al. ....	D18/40
D673,572 S *	1/2013	Akana et al. ....	D14/447
D673,952 S *	1/2013	Toda et al. ....	D14/383
D678,875 S *	3/2013	Chen .....	D14/341
D680,525 S *	4/2013	Deto et al. ....	D14/341

\* cited by examiner

*Primary Examiner* — Barbara Fox

(74) *Attorney, Agent, or Firm* — Law Office of Scott C. Harris, Inc.

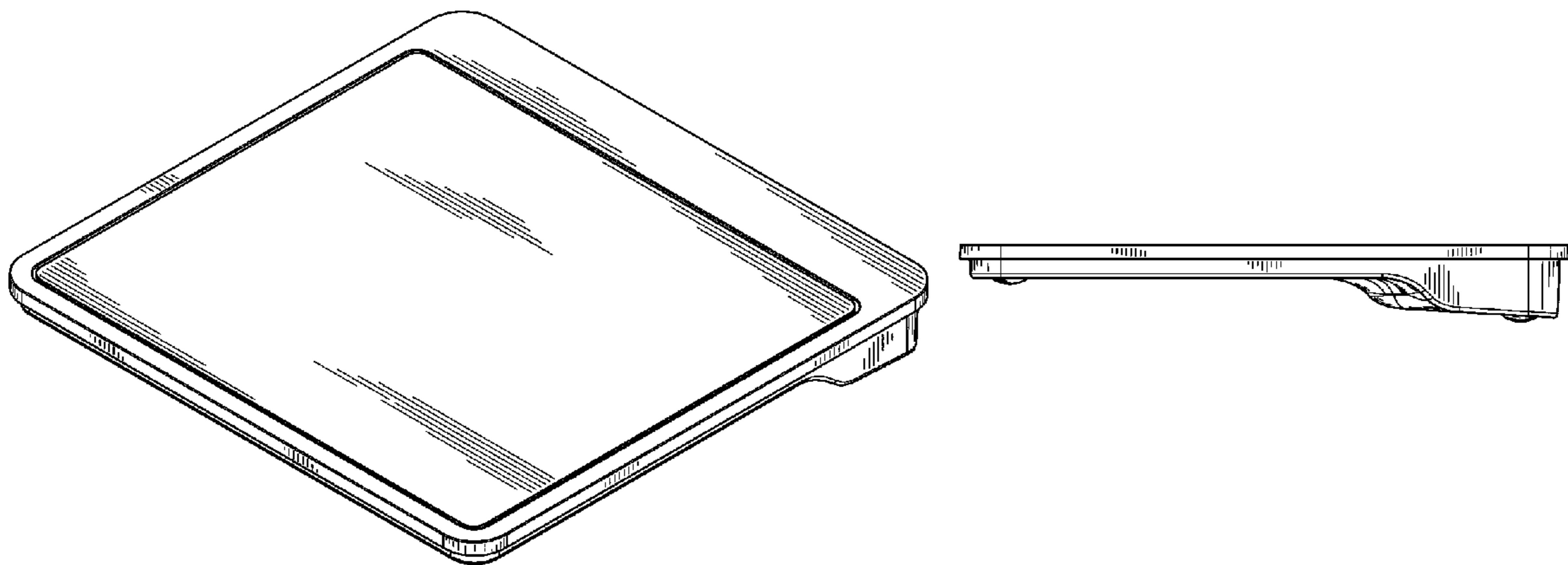
(57) **CLAIM**

The ornamental design for tablet computer, as shown and described.

**DESCRIPTION**

FIG. 1 is a front perspective view of a tablet computer showing the new design;  
FIGS. 2 and 3 show a front side and a back side view, respectively, of the tablet computer;  
FIGS. 4 and 5 show a left side and a right side view, respectively, of the table computer;  
FIG. 6 shows a top view of the tablet computer; and,  
FIG. 7 shows a bottom view of the tablet computer.

**1 Claim, 4 Drawing Sheets**



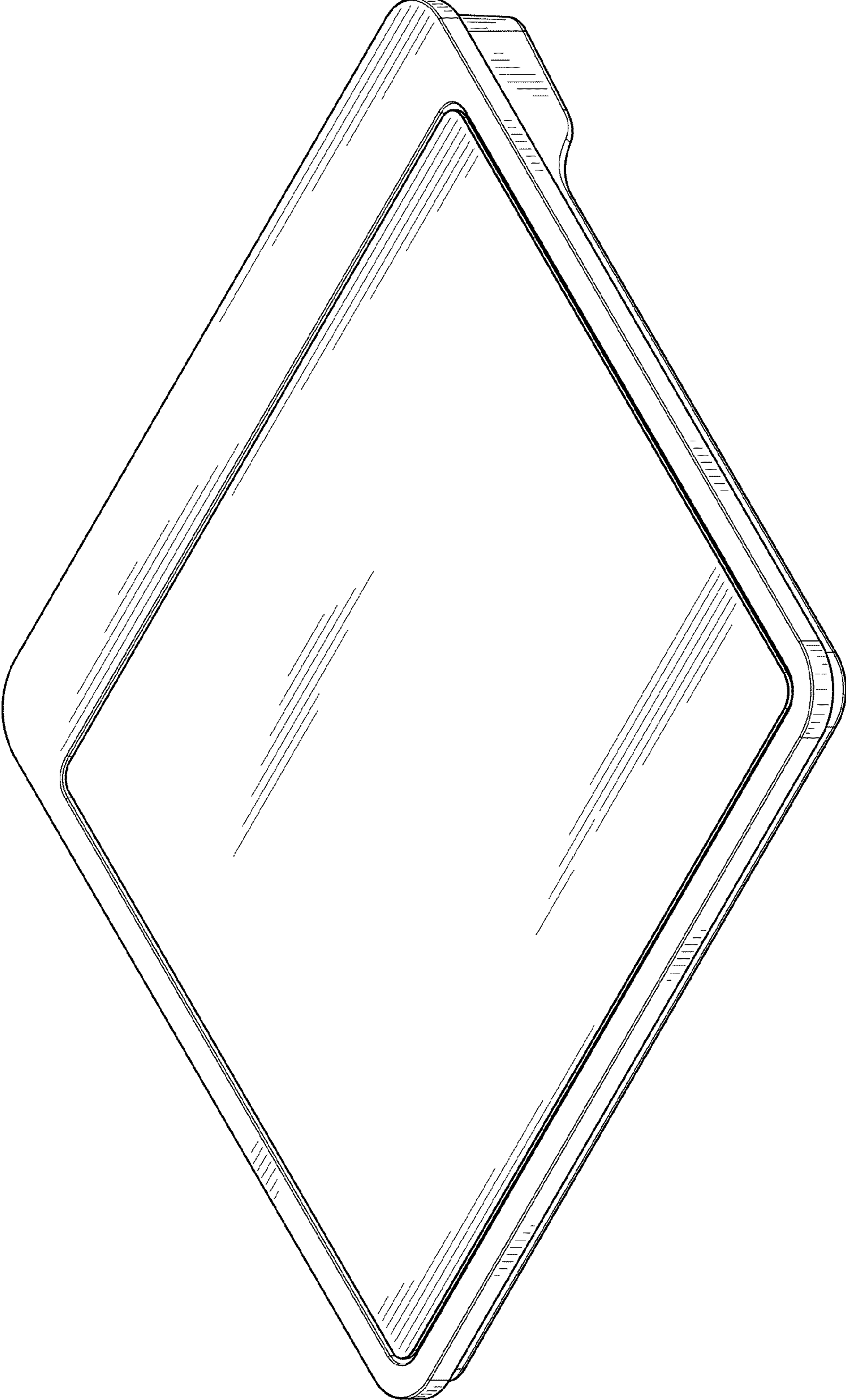


FIG. 1

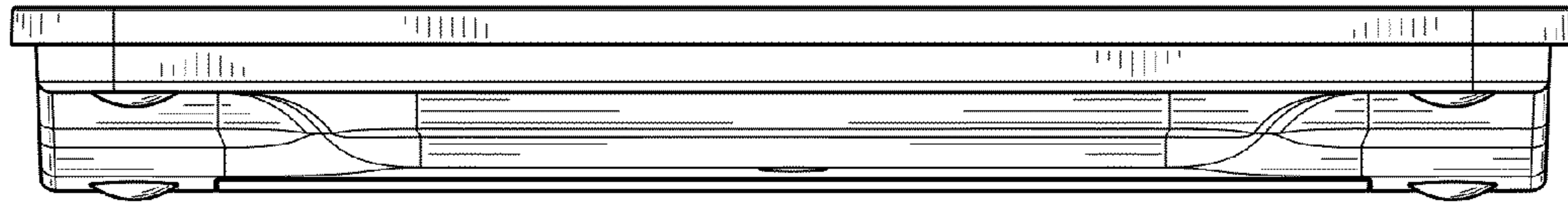


FIG. 2

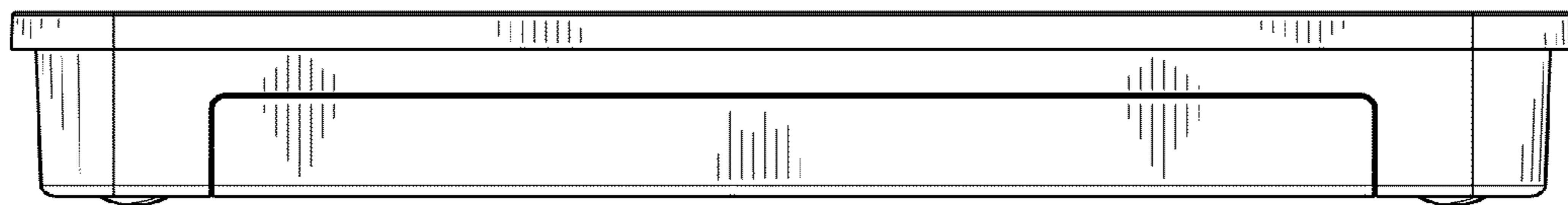


FIG. 3

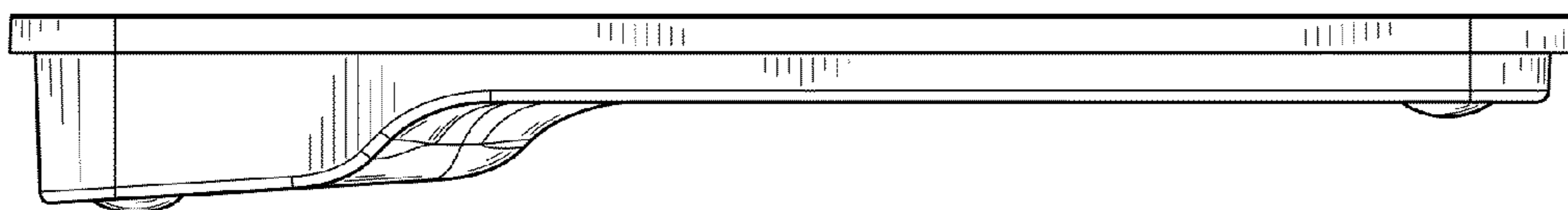


FIG. 4

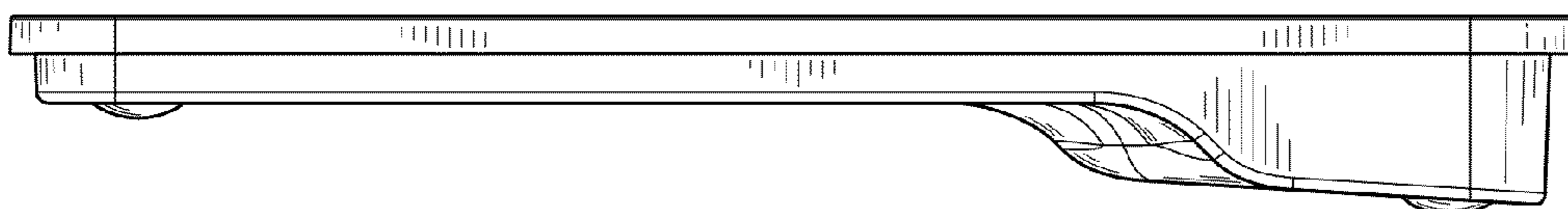


FIG. 5

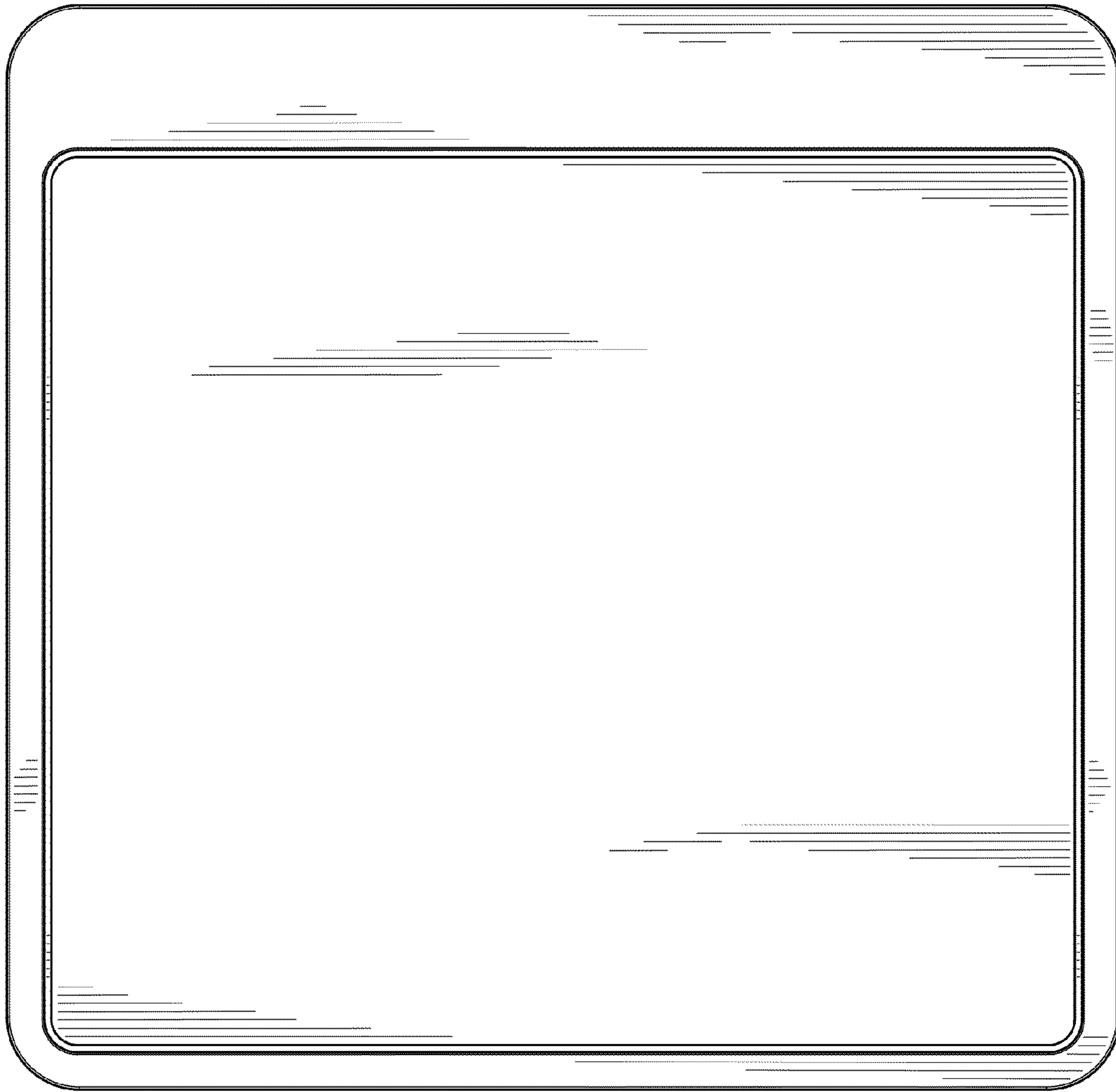


FIG. 6

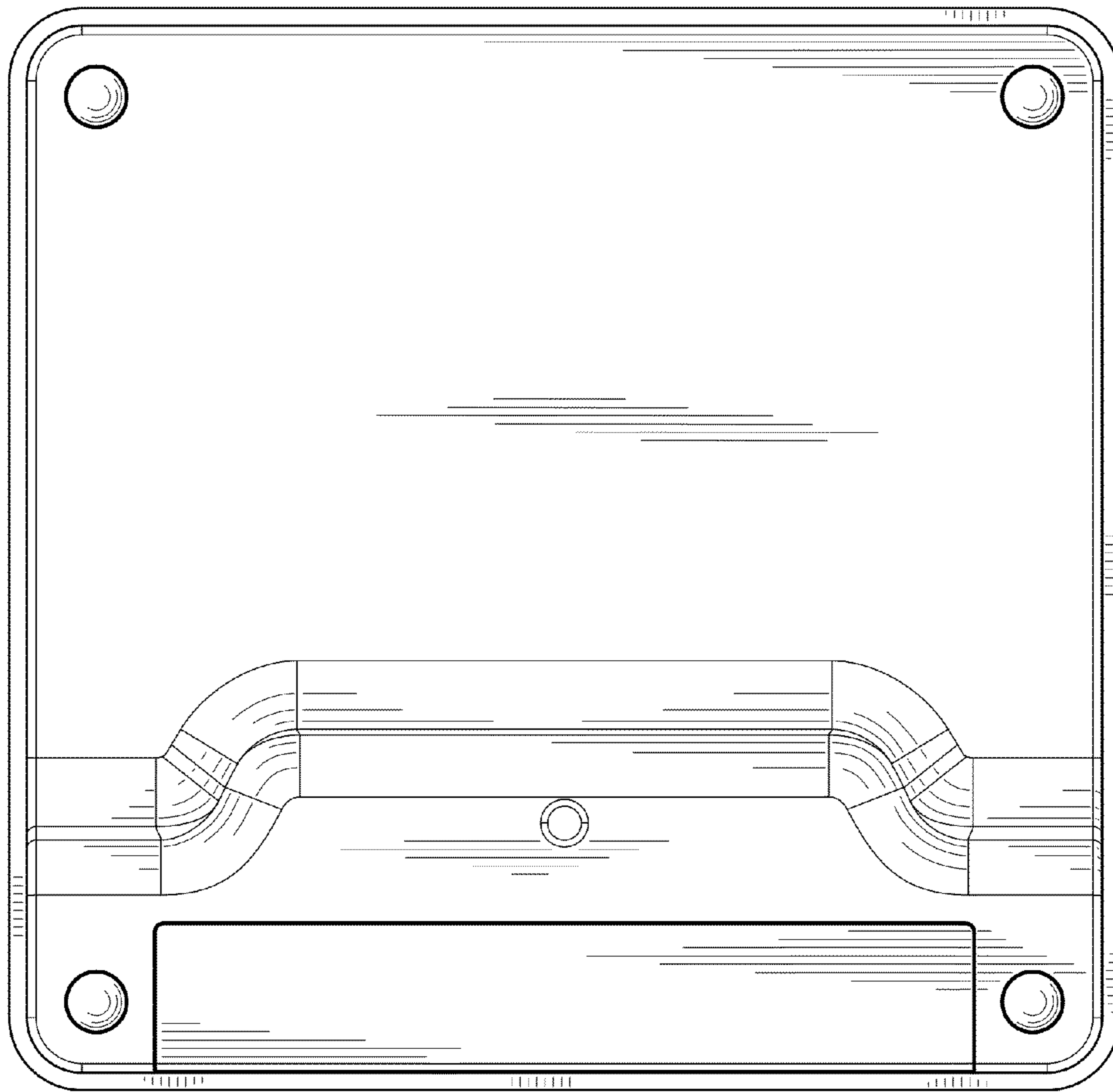


FIG. 7