

US00D692418S

(12) **United States Design Patent**
Fahrendorff et al.

(10) **Patent No.:** **US D692,418 S**
(45) **Date of Patent:** **** Oct. 29, 2013**

- (54) **ELECTRONIC DEVICE SHELL**
- (75) Inventors: **Anders Fahrendorff**, Ottawa (CA); **Ian James Murchison**, Toronto (CA); **Shannon Tyler Moore**, Waterloo (CA)
- (73) Assignee: **Blackberry Limited**, Waterloo, Ontario (CA)
- (**) Term: **14 Years**

- (21) Appl. No.: **29/399,495**
- (22) Filed: **Aug. 15, 2011**
- (51) **LOC (9) Cl.** **14-03**
- (52) **U.S. Cl.**
USPC **D14/250**
- (58) **Field of Classification Search**
USPC D14/250–253, 440, 203.3–203.7, 217, D14/496, 248, 238.1, 240, 447, 341–347, D14/444; D13/103, 107–108, 119; D3/201, D3/218, 247, 269, 273, 301, 303; 248/309.1, 371, 176.3, 668; 361/679.56, 679.3, 679.25, 816; 379/426, 433.11, 455; 455/575.1, 455/575.8; 206/305, 320; 320/108, 115; 429/96; 220/4.02; 150/165

See application file for complete search history.

(56) **References Cited**

U.S. PATENT DOCUMENTS

D400,497 S	*	11/1998	Sabag et al.	D13/103
D589,926 S	*	4/2009	Turner	D14/138 AA
D606,305 S	*	12/2009	Lee et al.	D3/269
D610,111 S	*	2/2010	Kim et al.	D14/138 AA
D620,931 S	*	8/2010	Opman	D14/250
D625,303 S	*	10/2010	Kim	D14/250
D630,181 S	*	1/2011	Xiao	D14/138 AA

D641,756 S	*	7/2011	Hsieh et al.	D14/440
D643,396 S	*	8/2011	Hou	D14/138 AA
D648,332 S	*	11/2011	Kim et al.	D14/248
D648,716 S	*	11/2011	Jones et al.	D14/250
D653,249 S	*	1/2012	Fahrendorff et al.	D14/250
D653,659 S	*	2/2012	Fahrendorff et al.	D14/250
D655,287 S	*	3/2012	de Jong et al.	D14/341
D663,297 S	*	7/2012	de Jong et al.	D14/341
D670,693 S	*	11/2012	Li	D14/341
D679,691 S	*	4/2013	Fahrendorff et al.	D14/250
2012/0012579 A1	*	1/2012	Kaplanicali	220/4.02

OTHER PUBLICATIONS

Hard Shell Case for BlackBerry Curve Touch 9380, shown on p. 11 of article: “10 red, green and white cases and skins to get you into the christmas spirit”, posted on Dec. 6, 2012, <URL:http://www.puremobile.com/insiderblog/10-red-green-and-white-cases-and-skins-to-get-you-in-the-christmas-spirit/>, retrieved from internet on Jul. 12, 2013.*

* cited by examiner

Primary Examiner — Carla Jobe Wright

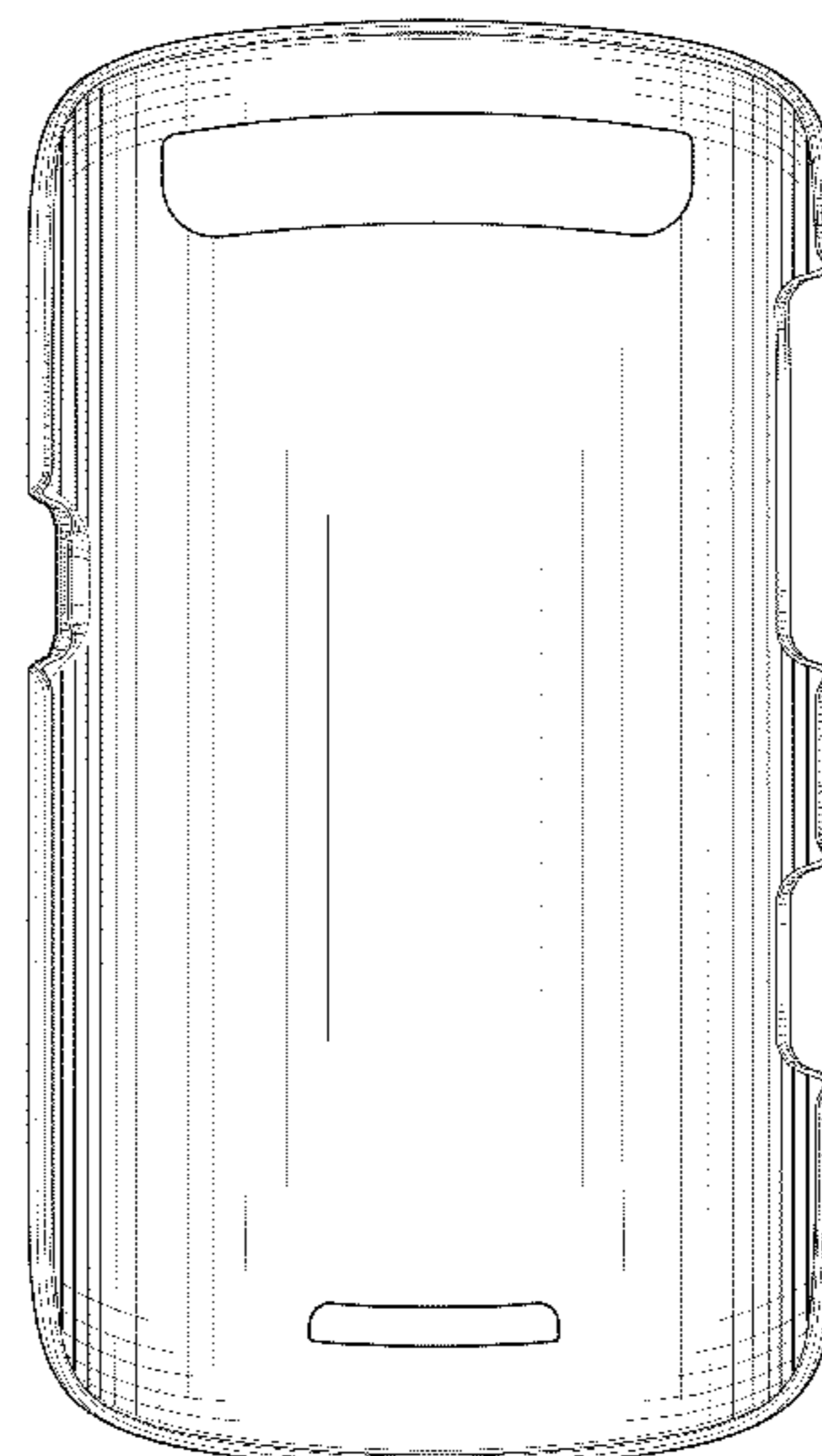
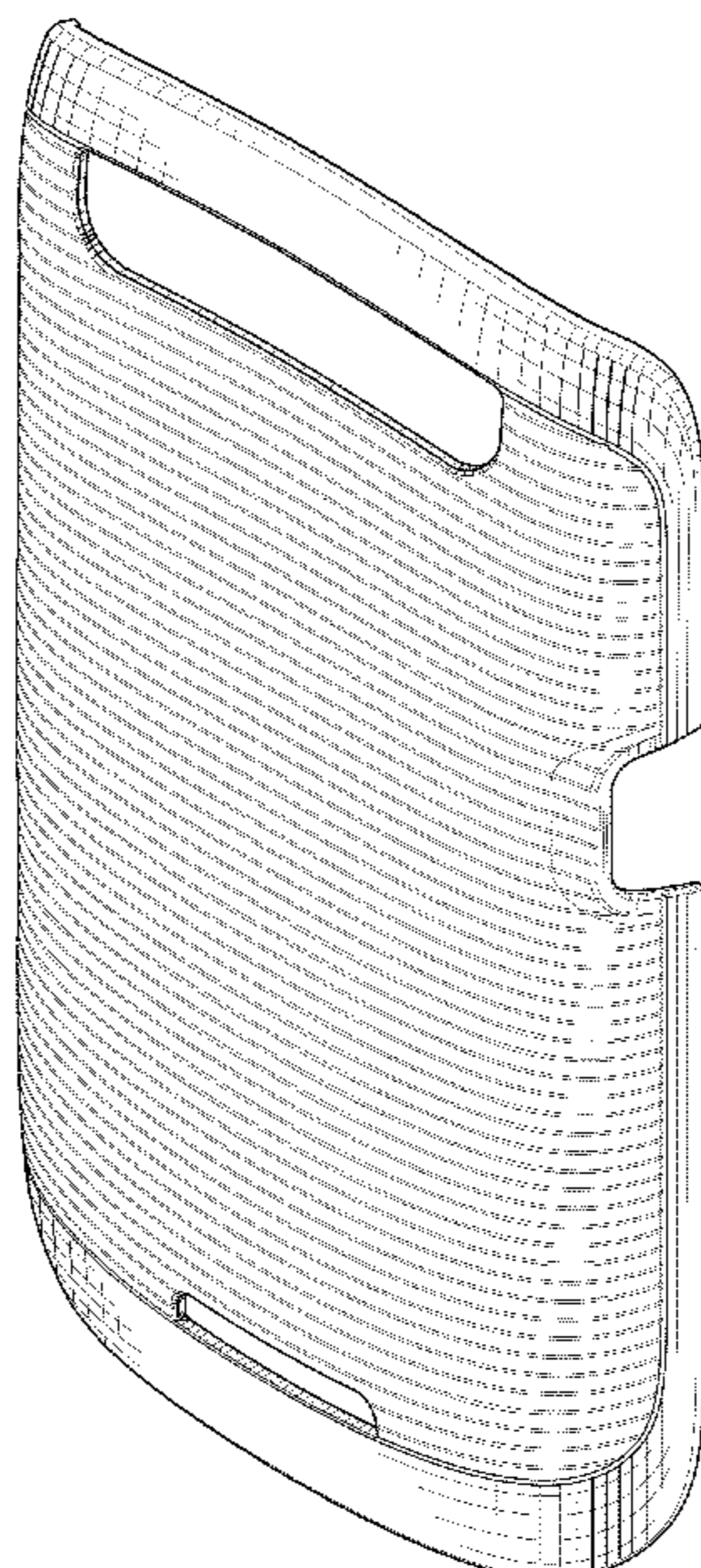
(57) **CLAIM**

We claim the ornamental design for an electronic device shell, as shown and described.

DESCRIPTION

FIG. 1 is a back perspective view of an electronic device shell; FIG. 2 is a front perspective view of the electronic device shell; FIG. 3 is a front elevational view thereof; FIG. 4 is a back elevational view thereof; FIG. 5 is a left elevational view thereof; FIG. 6 is a right elevational view thereof; FIG. 7 is a top plan view thereof; and, FIG. 8 is a bottom plan view thereof.

1 Claim, 6 Drawing Sheets



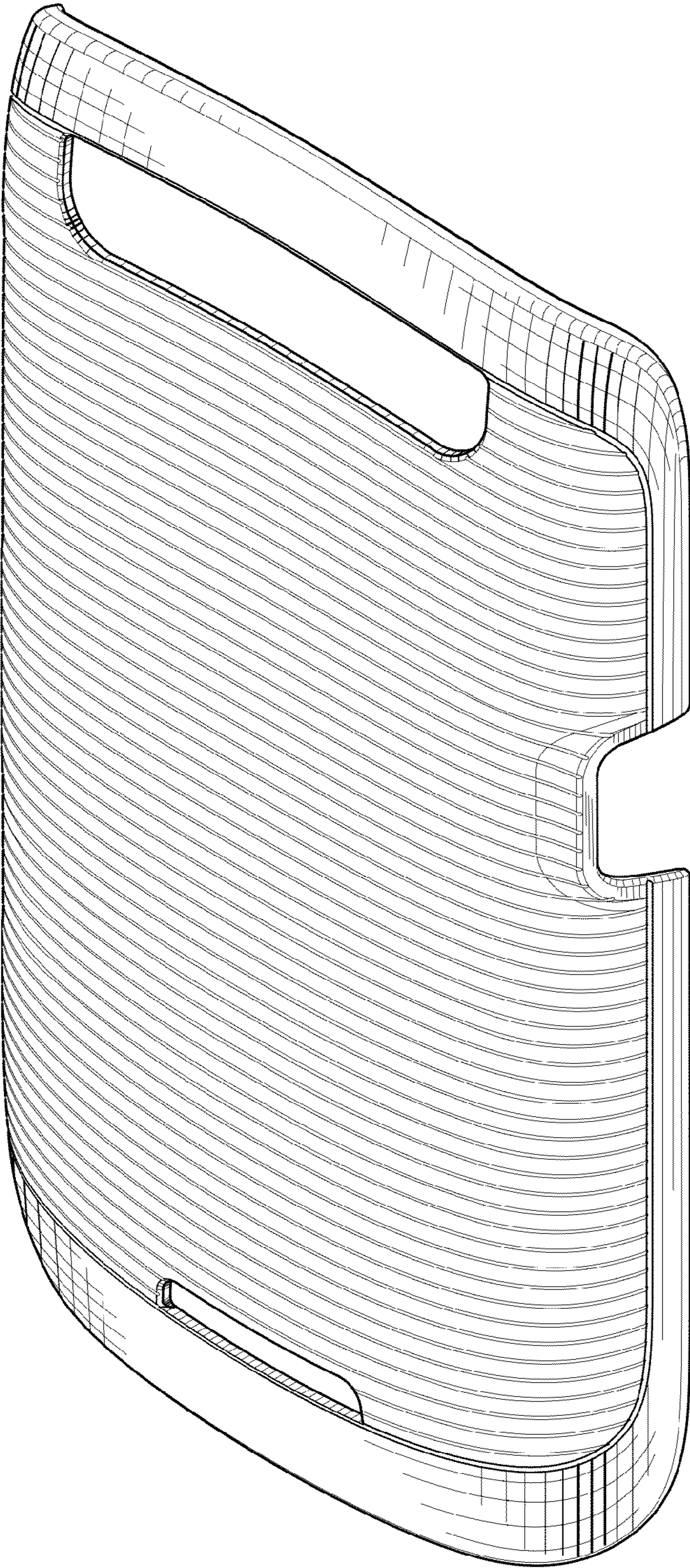


FIG.1

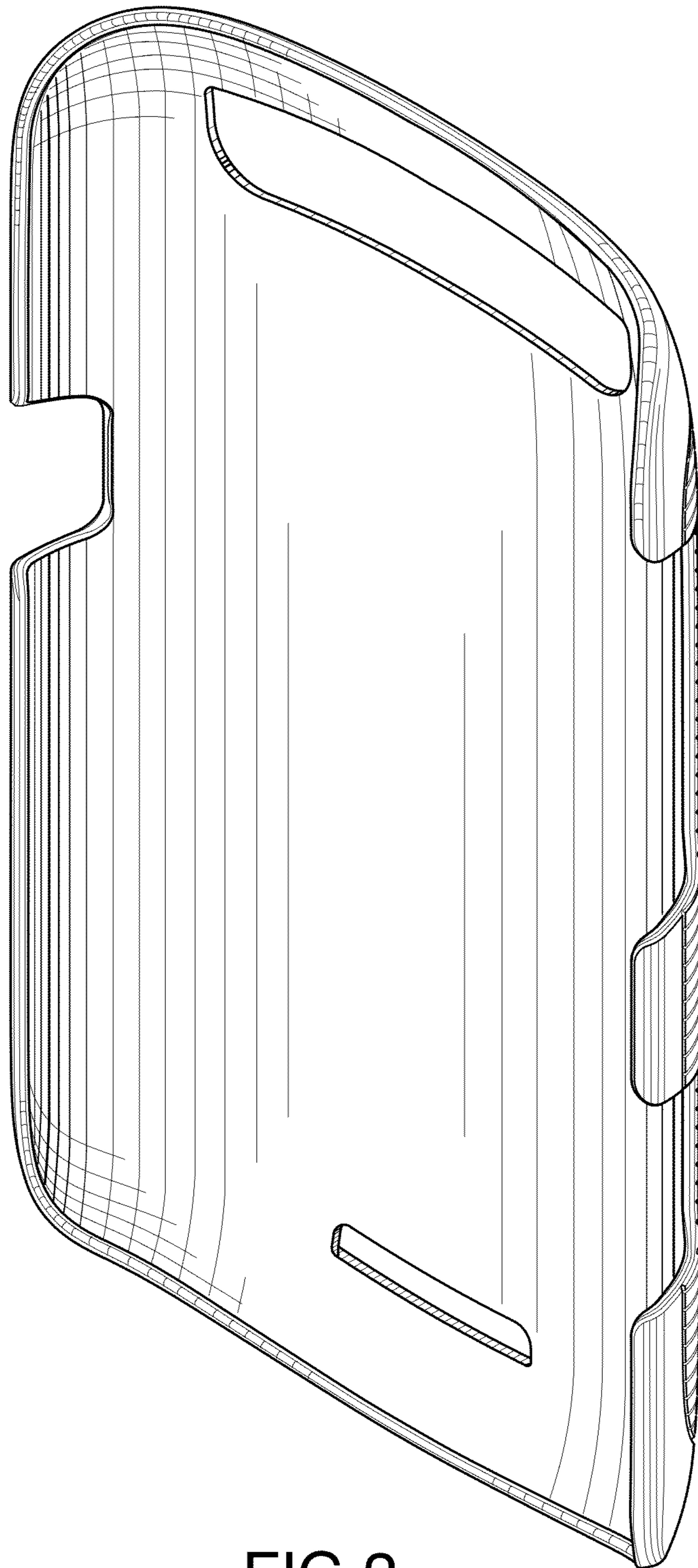


FIG.2

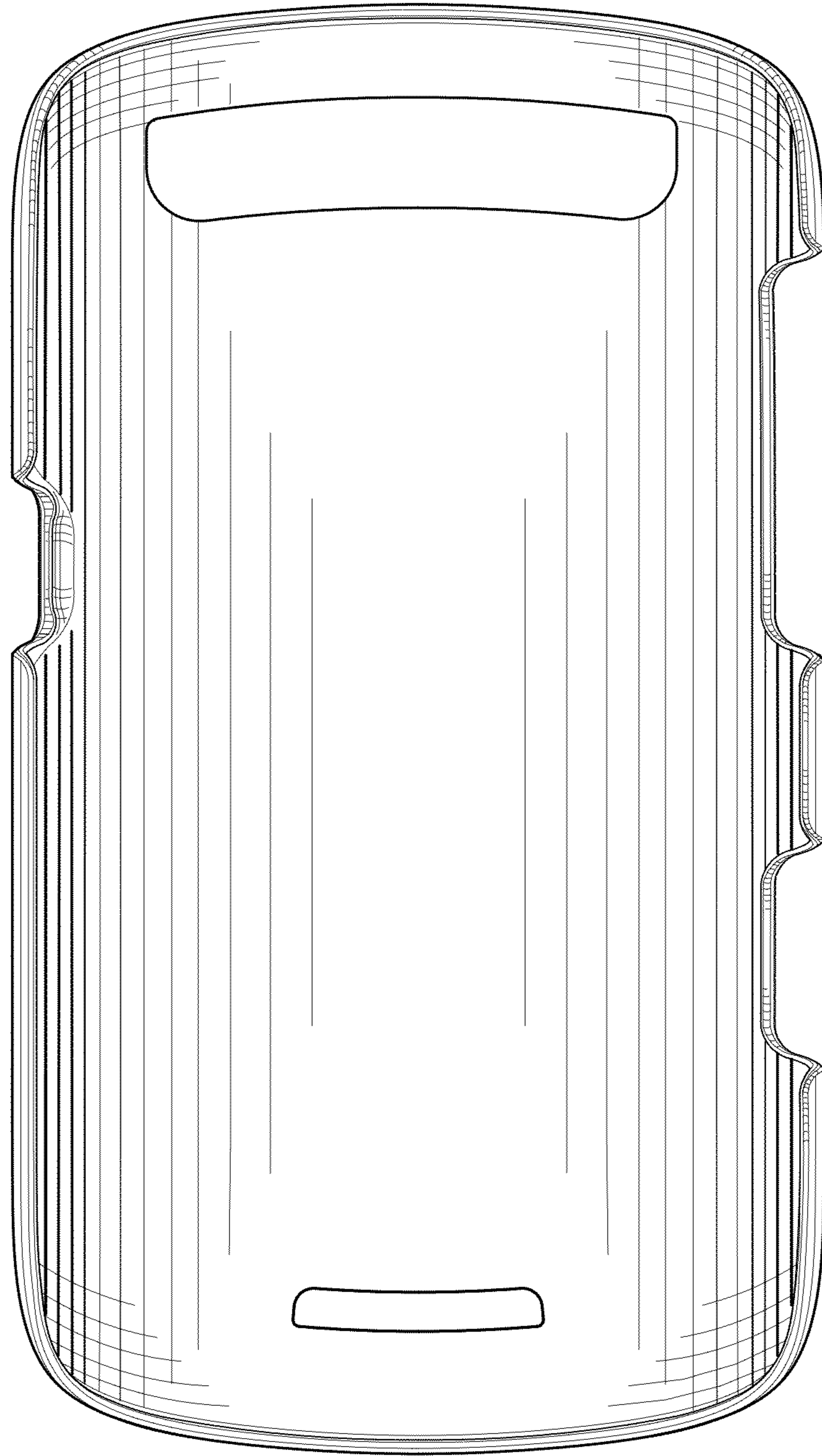


FIG.3

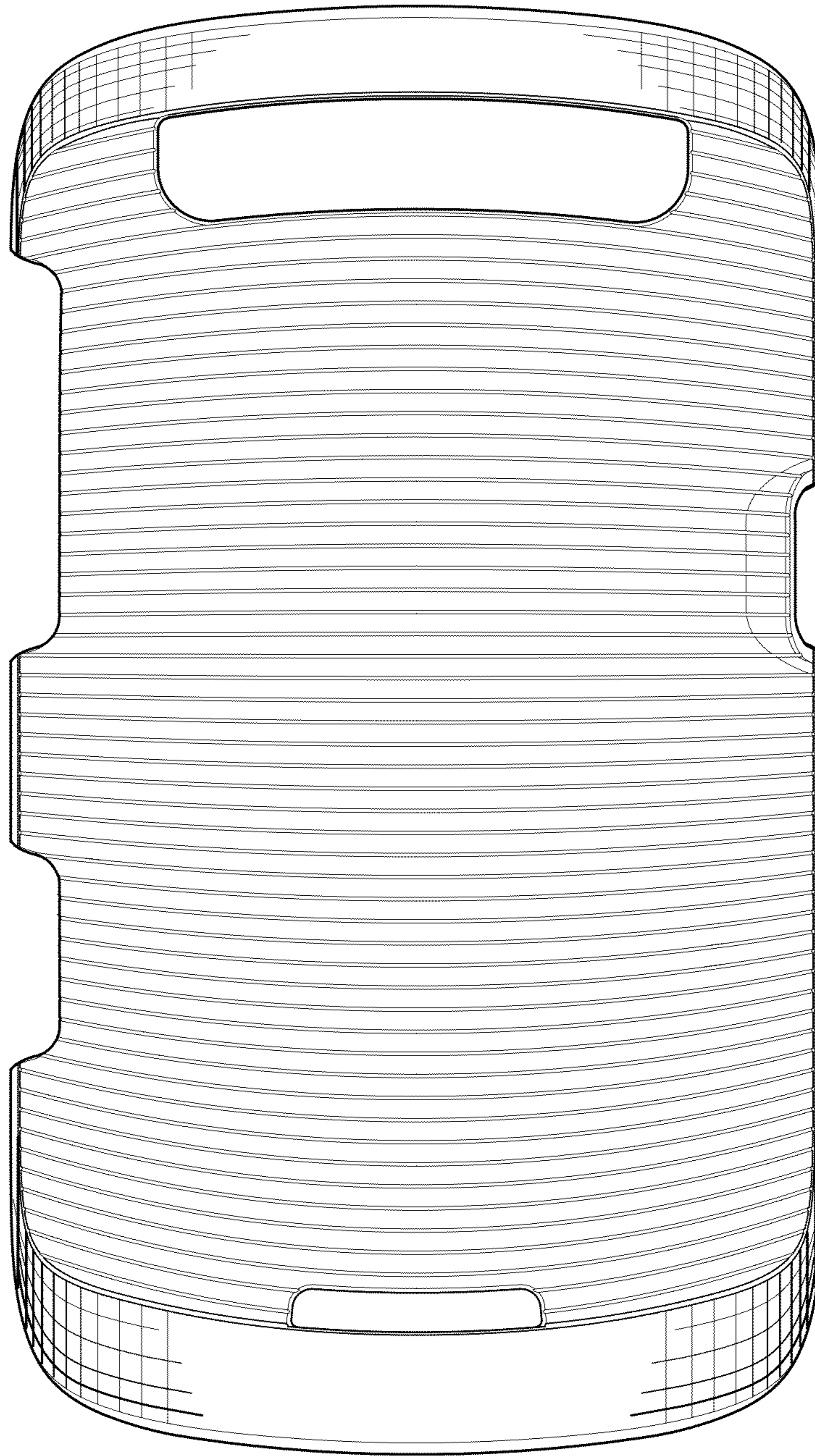


FIG.4

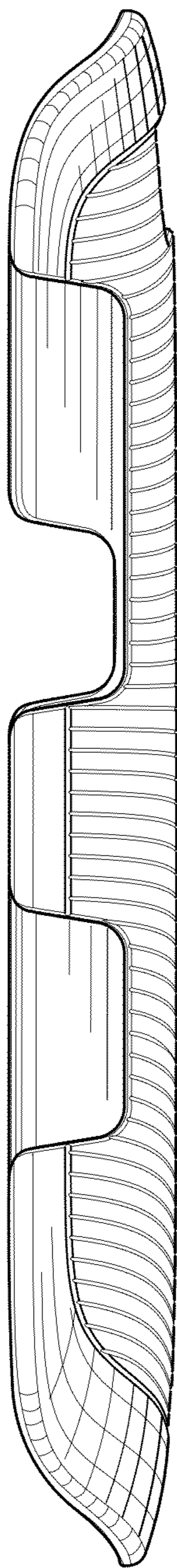


FIG. 5

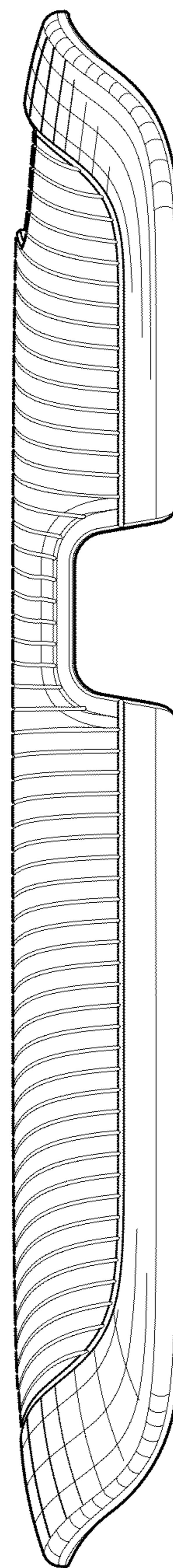


FIG. 6

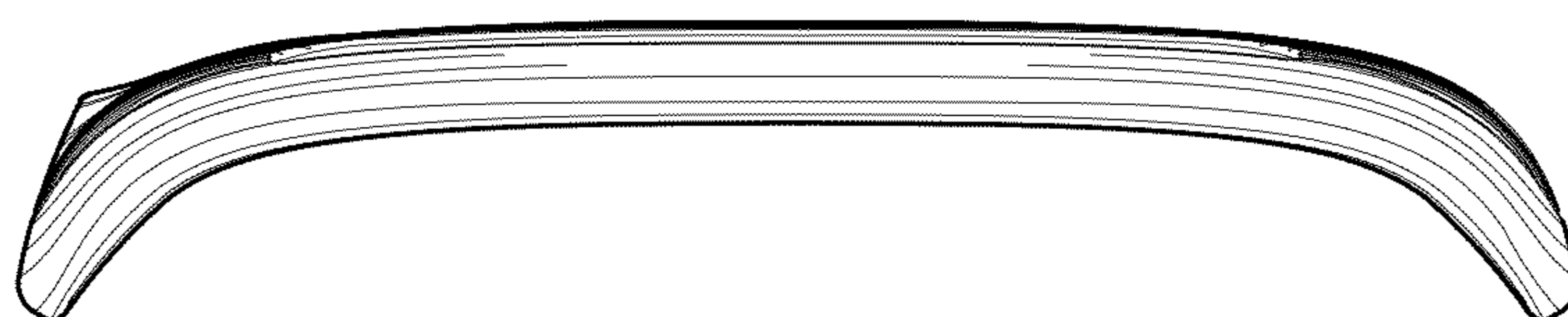


FIG. 7

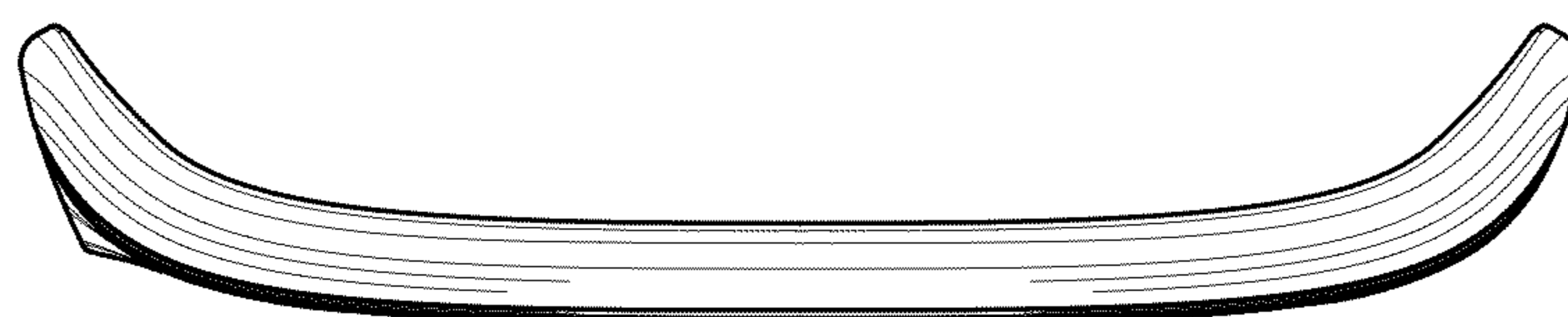


FIG. 8