



US00D692415S

(12) **United States Design Patent**
Zheng et al.

(10) **Patent No.:** **US D692,415 S**
(45) **Date of Patent:** **** Oct. 29, 2013**

- (54) **CONTROL BOX FOR DISPLAY PANEL**
- (71) Applicant: **Hon Hai Precision Industry Co., Ltd.**,
New Taipei (TW)
- (72) Inventors: **Dao-Cai Zheng**, Shenzhen (CN);
Ya-Ming Guan, Shenzhen (CN);
Chiang-Kuo Tang, New Taipei (TW)
- (73) Assignee: **Hon Hai Precision Industry Co., Ltd.**,
New Taipei (TW)
- (**) Term: **14 Years**
- (21) Appl. No.: **29/433,085**
- (22) Filed: **Sep. 25, 2012**
- (51) **LOC (9) Cl.** **14-03**
- (52) **U.S. Cl.**
USPC **D14/218**
- (58) **Field of Classification Search**
USPC D14/218, 455; D13/168; D21/566;
D10/104, 106; 345/169; 348/14.05,
348/114, 211.99, 734; 340/825.24; 341/22;
455/92, 95, 128, 151.1–151.4, 352,
455/355, FOR. 121; 700/65
See application file for complete search history.

- D425,810 S * 5/2000 Siller et al. D10/106.1
- D520,498 S * 5/2006 Lin et al. D14/230
- D525,948 S * 8/2006 Blair et al. D13/168
- D601,976 S * 10/2009 Petrillo et al. D13/168
- D602,918 S * 10/2009 Bodley et al. D14/225
- D604,723 S * 11/2009 Bodley et al. D14/225
- D619,544 S * 7/2010 Petrillo et al. D13/168
- D630,388 S * 1/2011 Lai D30/199
- D651,591 S * 1/2012 Hunter et al. D14/230
- D673,137 S * 12/2012 Maier et al. D14/218

* cited by examiner

Primary Examiner — John Windmuller

(74) *Attorney, Agent, or Firm* — Altis & Wispro Law Group,
Inc.

(57) **CLAIM**

The ornamental design for a control box for display panel, as shown and described.

DESCRIPTION

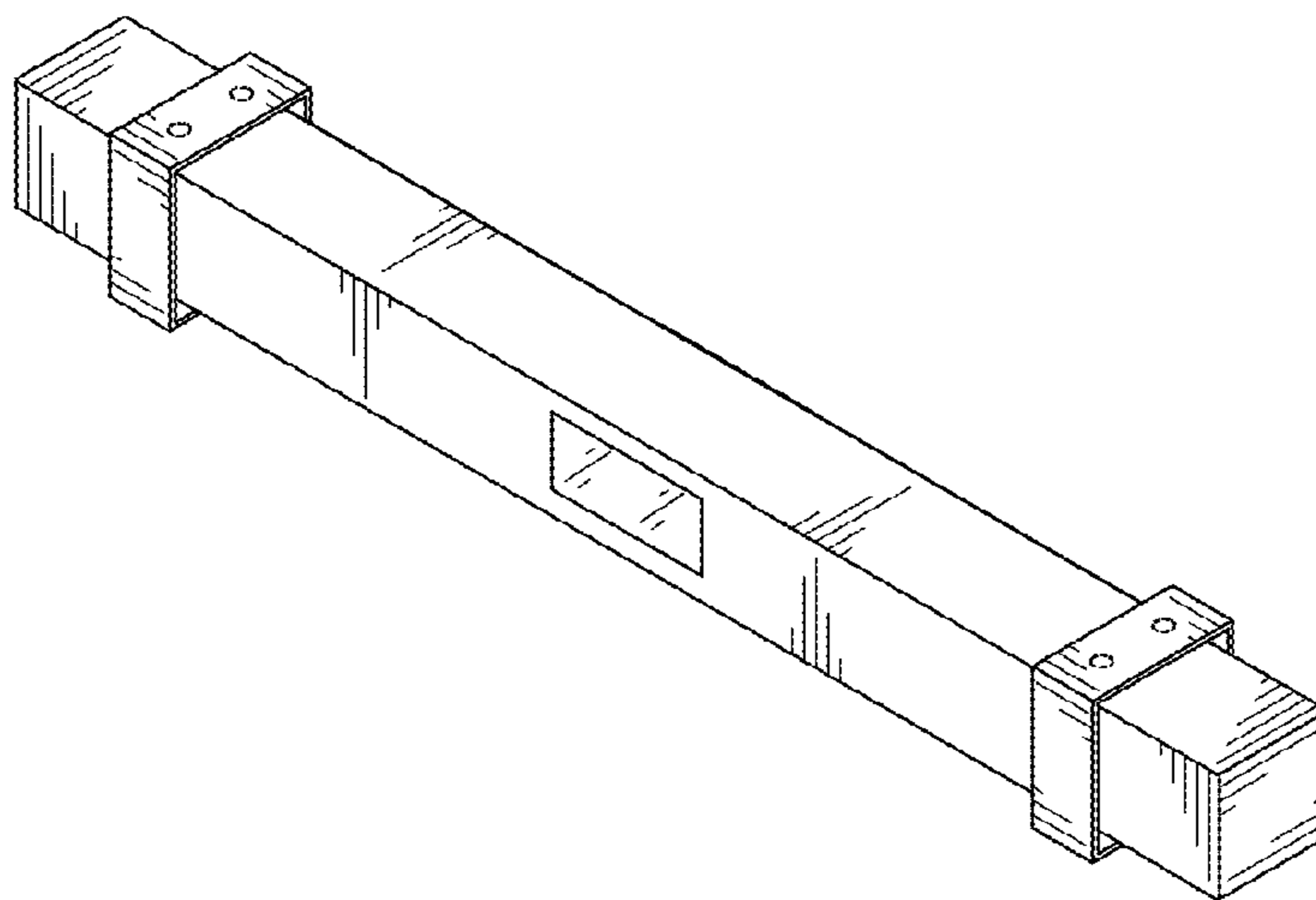
FIG. 1 is a perspective view of a control box for a display panel showing our design;
 FIG. 2 is a front elevational view thereof;
 FIG. 3 is a rear elevational view thereof;
 FIG. 4 is a left side elevational view thereof;
 FIG. 5 is a right side elevational view thereof 1;
 FIG. 6 is a top plan view thereof;
 FIG. 7 is a bottom plan view thereof; and,
 FIG. 8 is a perspective view showing the control box of FIG. 1 connected with a display panel.
 The broken lines in the drawings are employed to indicate environmental structures and form no part of the claimed design.

(56) **References Cited**

U.S. PATENT DOCUMENTS

- D167,828 S * 9/1952 Florac D14/194
- D280,896 S * 10/1985 Campbell et al. D14/155
- D290,356 S * 6/1987 Fisher D14/191
- D317,593 S * 6/1991 Rowen D13/168
- D370,663 S * 6/1996 Swain et al. D13/168

1 Claim, 8 Drawing Sheets



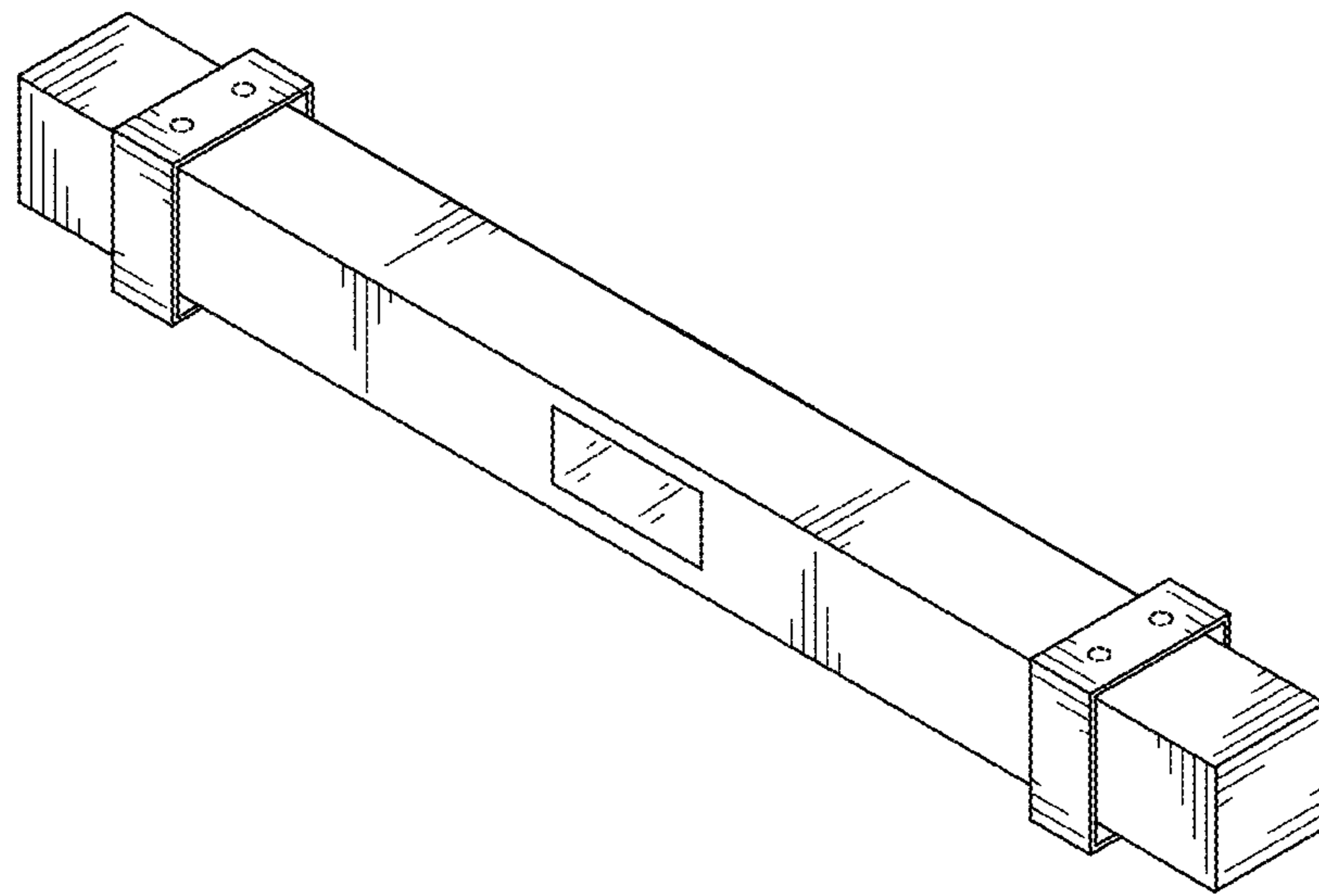


FIG. 1

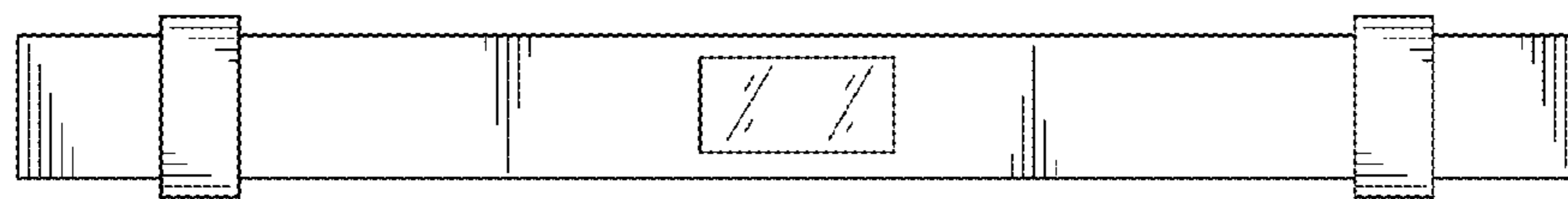


FIG. 2

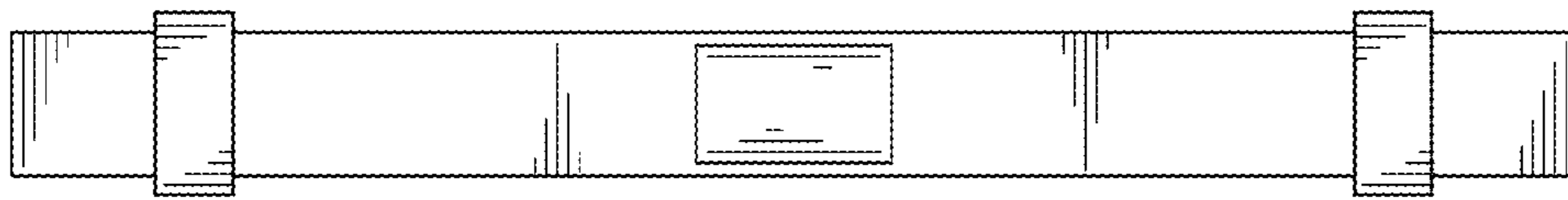


FIG. 3

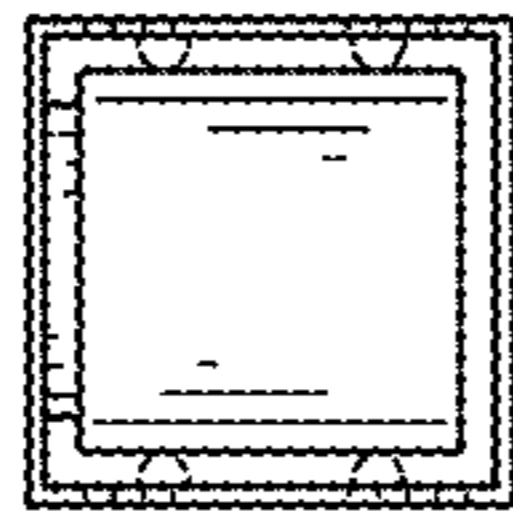


FIG. 4

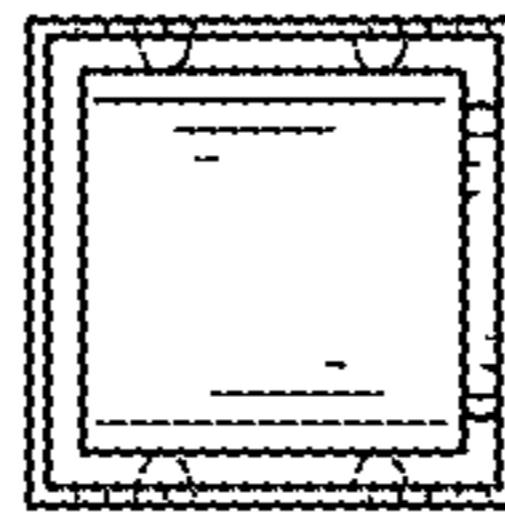


FIG. 5

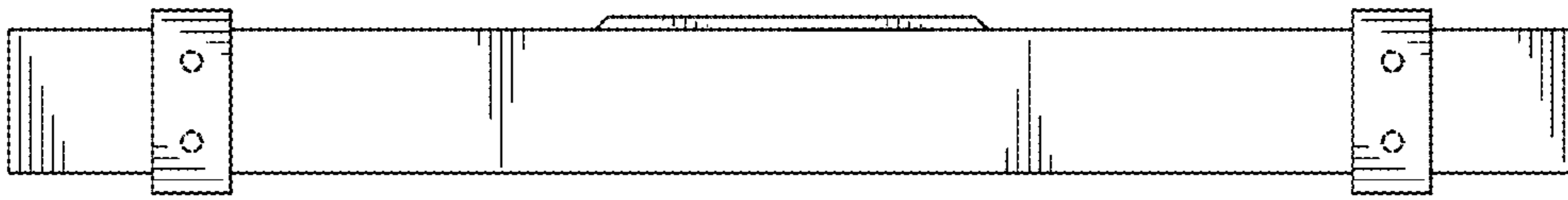


FIG. 6

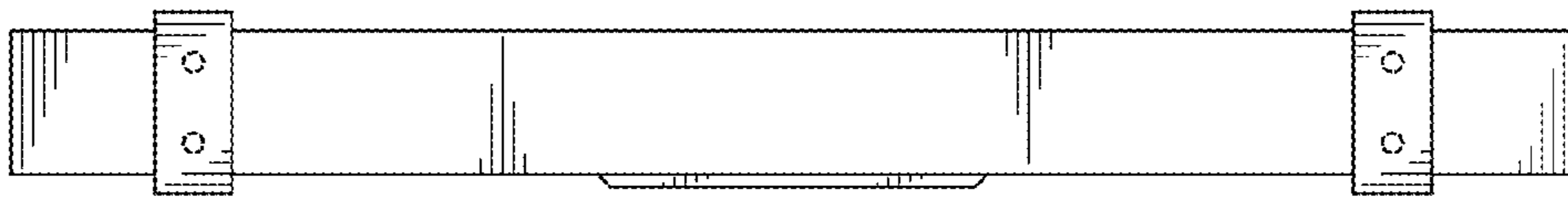


FIG. 7

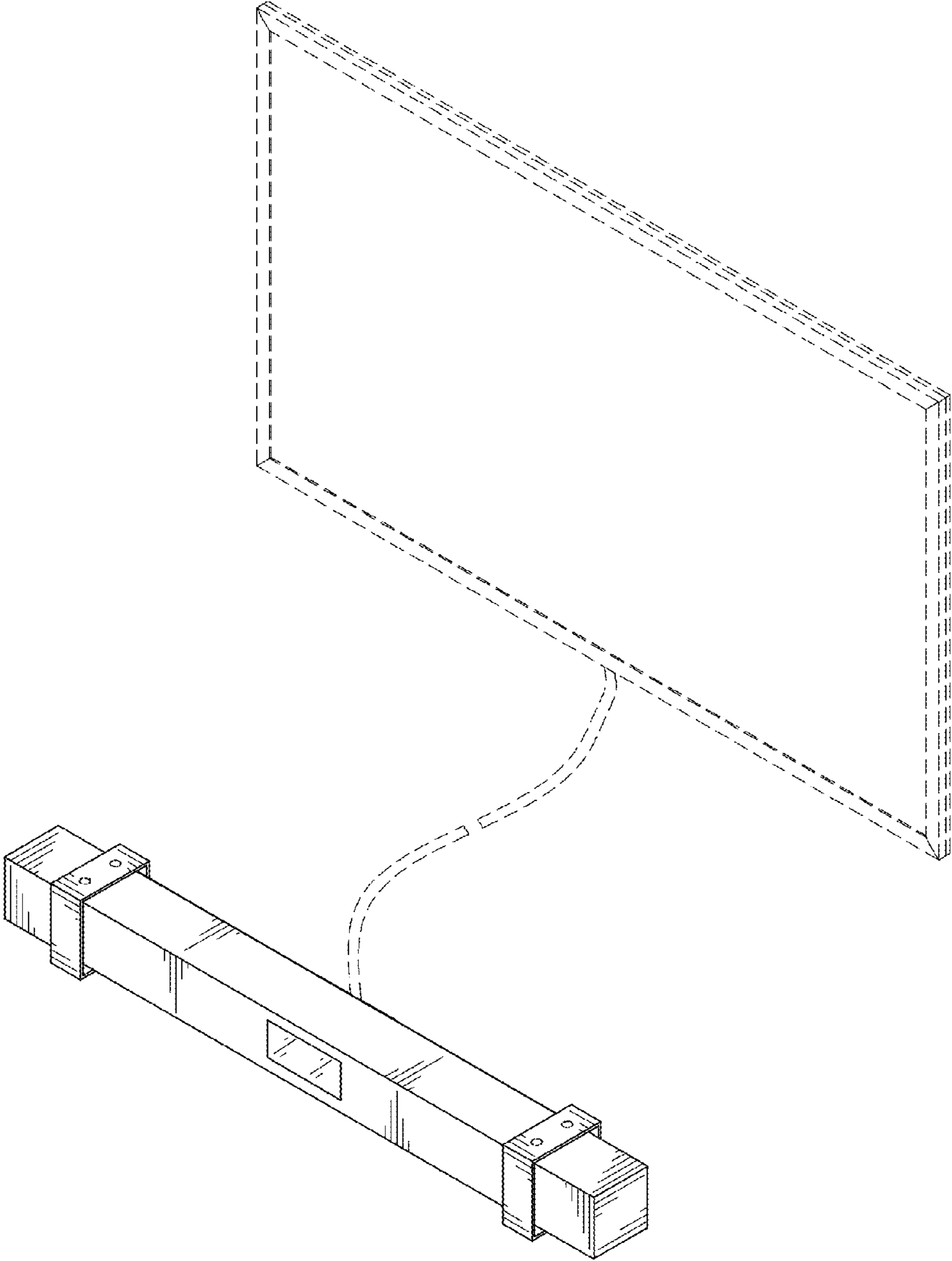


FIG. 8