



US00D692412S

(12) **United States Design Patent**  
**Silvera**

(10) **Patent No.:** **US D692,412 S**

(45) **Date of Patent:** **\*\* Oct. 29, 2013**

(54) **PORTABLE BLUETOOTH SPEAKER SYSTEM**

(71) Applicant: **Isaac Silvera**, Brooklyn, NY (US)

(72) Inventor: **Isaac Silvera**, Brooklyn, NY (US)

(73) Assignee: **SDI Technologies, Inc.**, Rahway, NJ (US)

(\*\*) Term: **14 Years**

(21) Appl. No.: **29/436,573**

(22) Filed: **Nov. 7, 2012**

(51) **LOC (9) Cl.** ..... **14-03**

(52) **U.S. Cl.**  
USPC ..... **D14/215**

(58) **Field of Classification Search**  
USPC ..... D14/168, 172, 185, 188, 194, 195,  
D14/204-216, 221, 222, 496; 181/143, 144,  
181/147, 148, 150, 153, 157, 198, 199;  
381/300-303, 306, 332, 333, 336, 345,  
381/361-364, 386-388

See application file for complete search history.

(56) **References Cited**

**U.S. PATENT DOCUMENTS**

D230,194 S *	1/1974	Buckler .....	D14/197
D364,406 S *	11/1995	Goldfarb et al. ....	D14/215
D494,564 S *	8/2004	Dayan .....	D14/215
D497,897 S *	11/2004	Modschiedler .....	D14/172
D525,236 S *	7/2006	Hibi .....	D14/221
D590,373 S *	4/2009	Brickstad .....	D14/215

D591,725 S *	5/2009	Komiyama .....	D14/215
D593,541 S *	6/2009	Muraoka et al. ....	D14/215
D639,779 S *	6/2011	Chen .....	D14/216
D641,729 S *	7/2011	Hao et al. ....	D14/215
D648,319 S *	11/2011	Chen .....	D14/211
D653,206 S *	1/2012	Heine et al. ....	D13/108
D676,831 S *	2/2013	Onoue .....	D14/215
D682,248 S *	5/2013	Esslinger et al. ....	D14/172

\* cited by examiner

*Primary Examiner* — Keli L Hill

(74) *Attorney, Agent, or Firm* — Ostrolenk Faber LLP

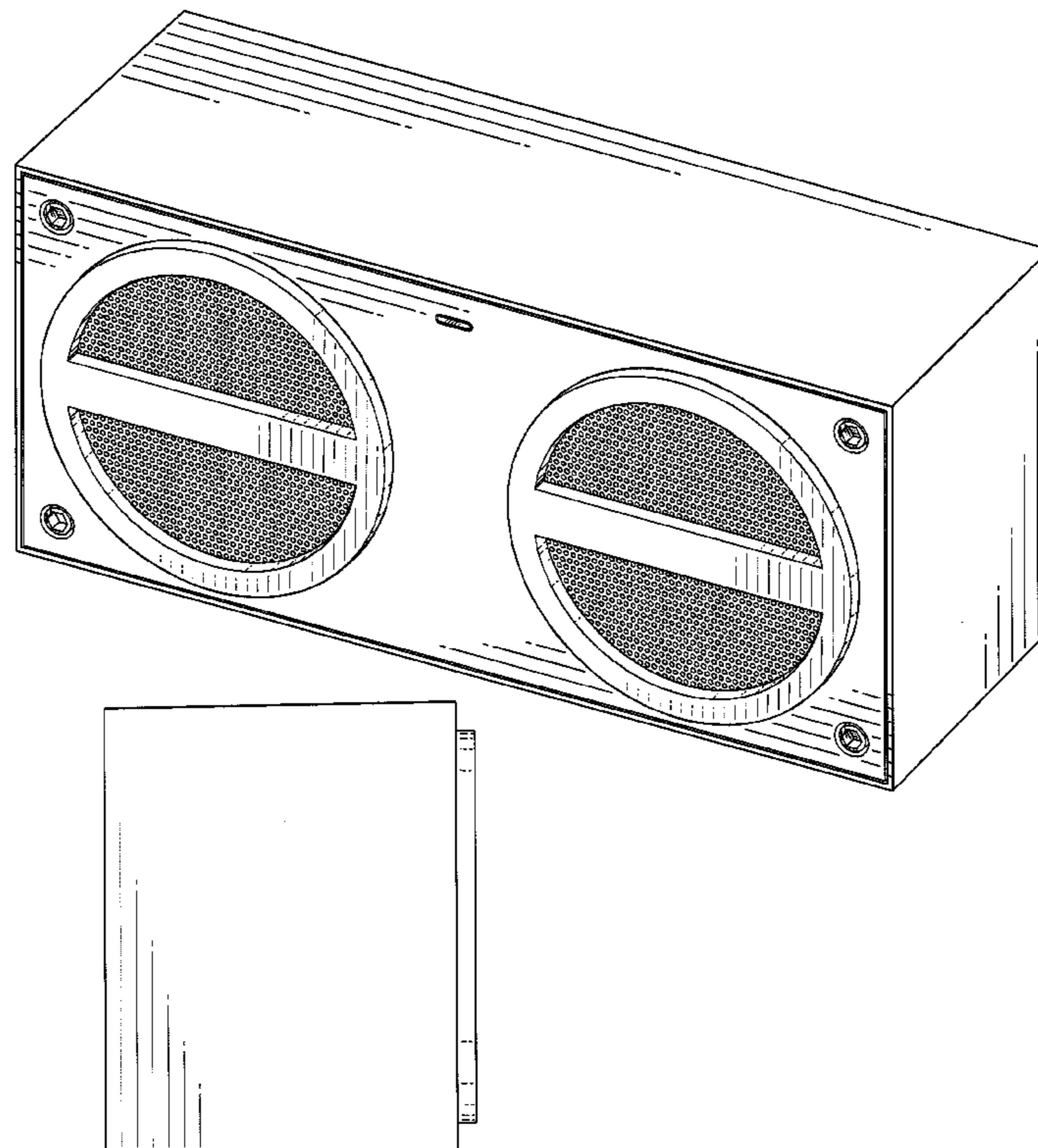
(57) **CLAIM**

The ornamental design for a portable bluetooth speaker system, as shown and described.

**DESCRIPTION**

FIG. 1 is a top, front, right side perspective view of a portable bluetooth speaker system showing my new design;  
 FIG. 2 is a front view thereof;  
 FIG. 3 is a rear view thereof;  
 FIG. 4 is a top view thereof;  
 FIG. 5 is a bottom view thereof;  
 FIG. 6 is a side view thereof, the opposite side view being a mirror image;  
 FIG. 7 is a cross-sectional view along line 7-7 in FIG. 2; and,  
 FIG. 8 is a cross-sectional view along line 8-8 in FIG. 2.  
 The broken lines in the drawings illustrate environmental material that forms no part of the claimed design.

**1 Claim, 8 Drawing Sheets**



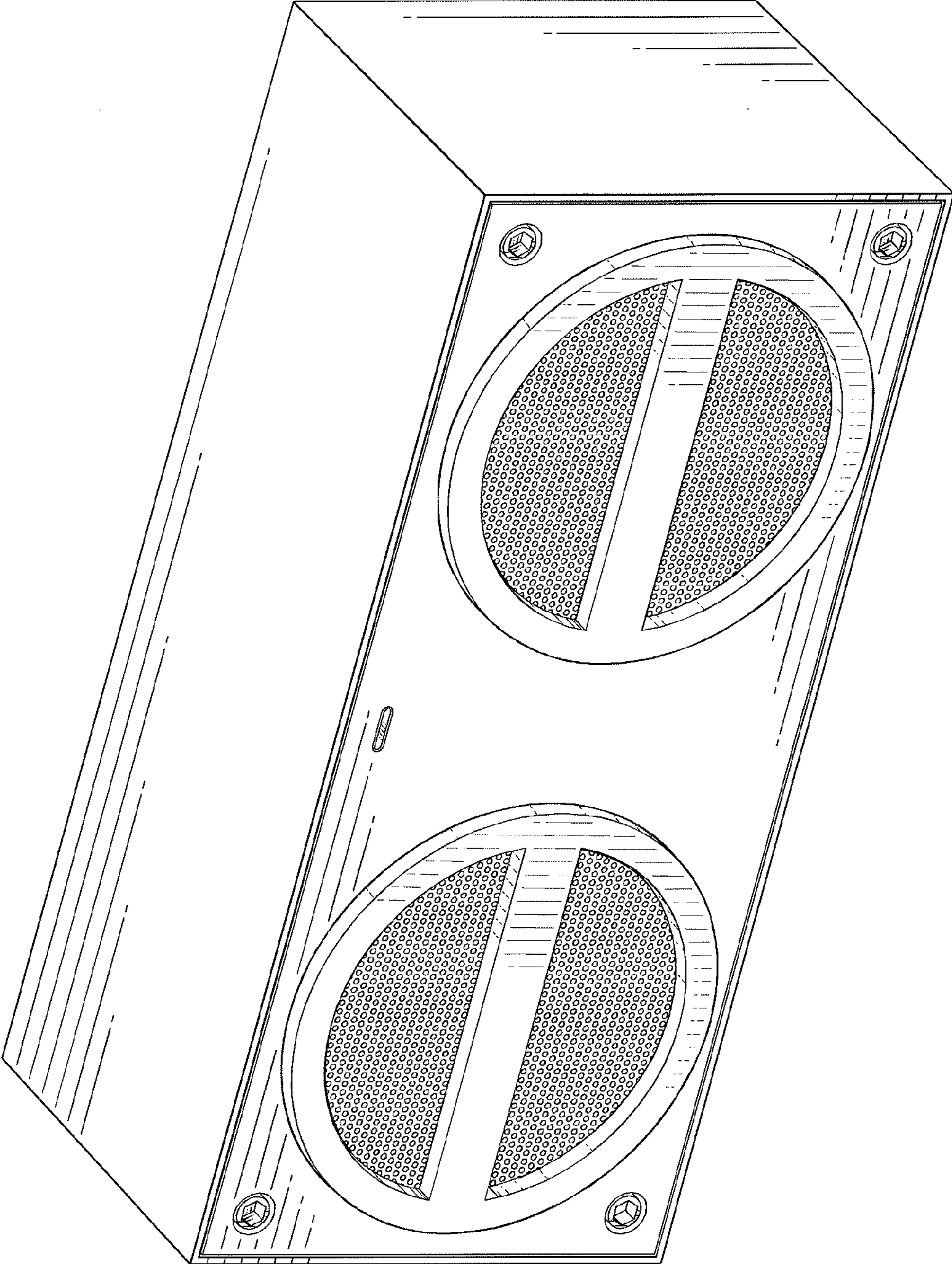


FIG.1

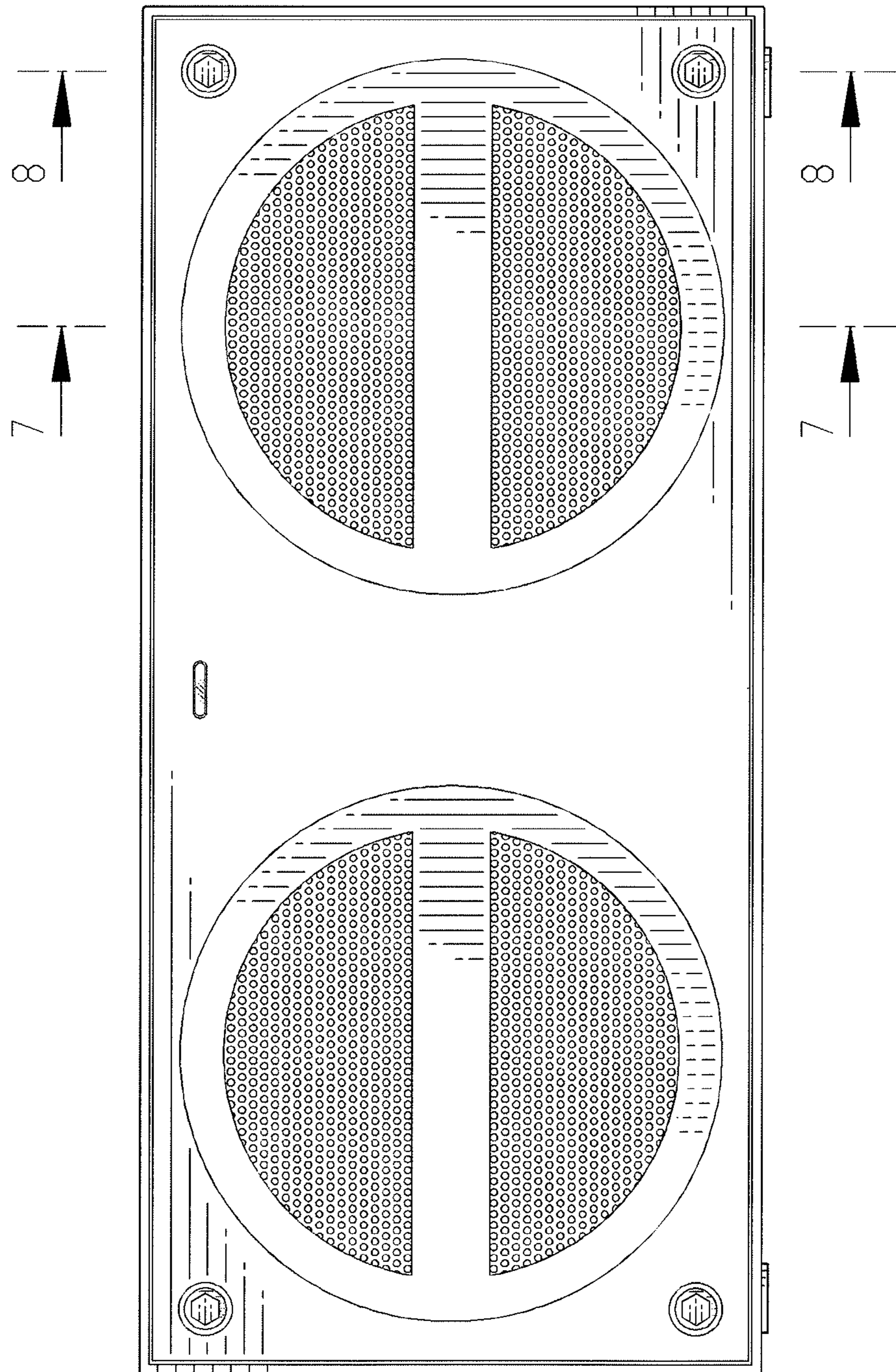


FIG. 2

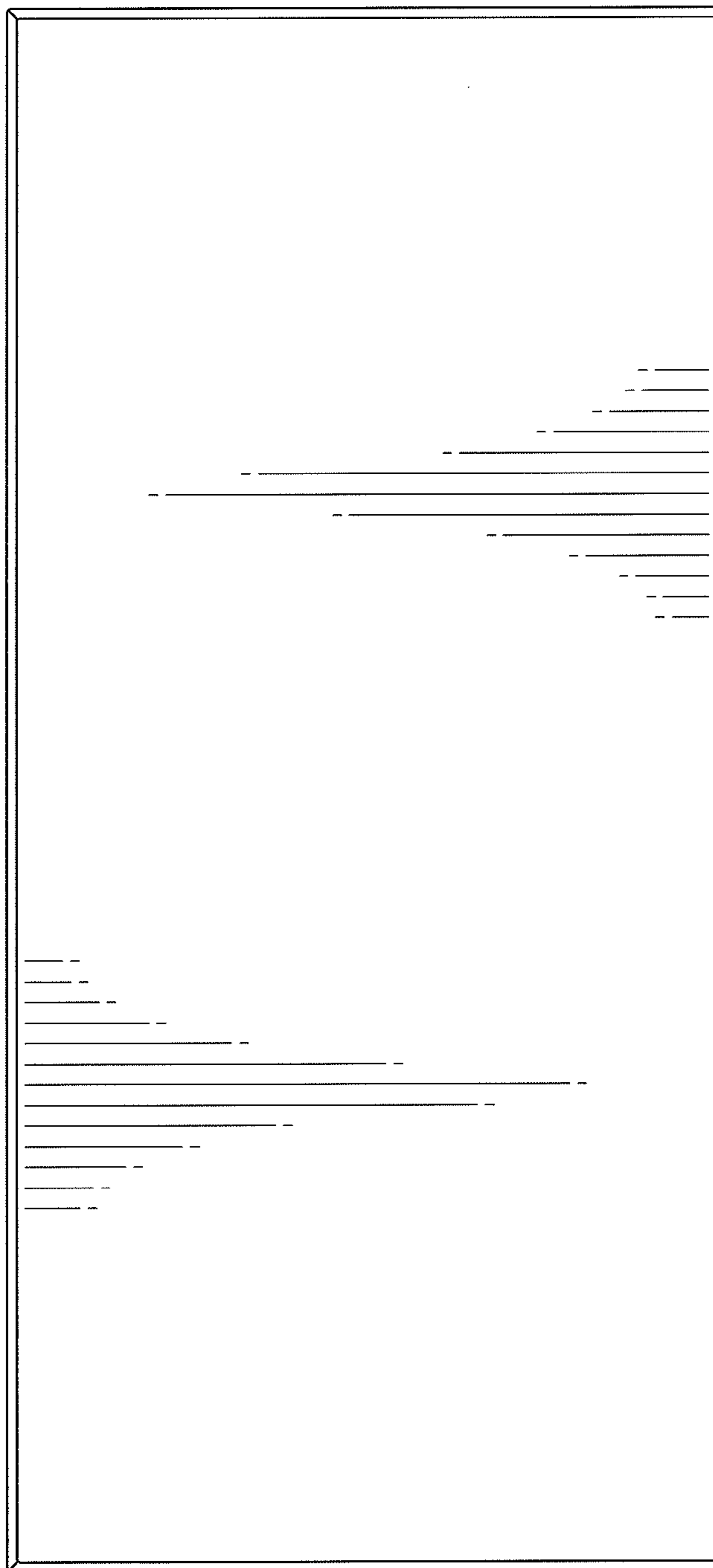


FIG. 3

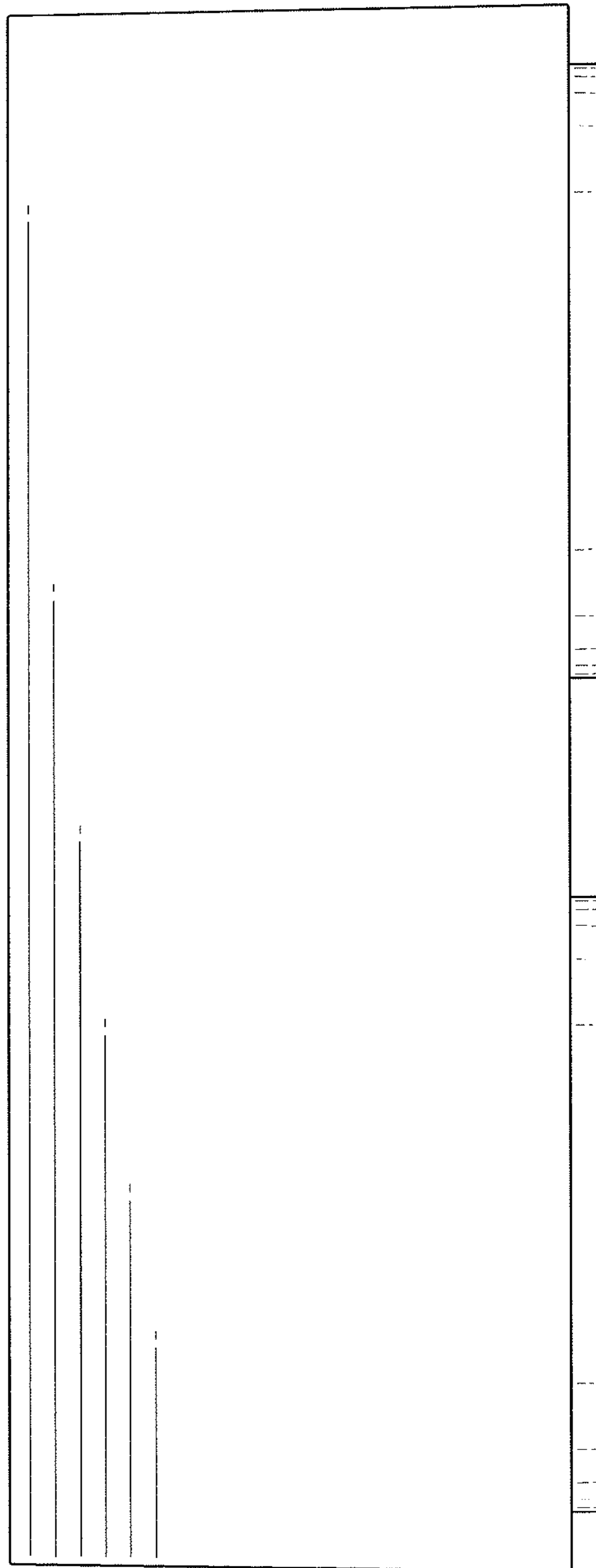


FIG. 4

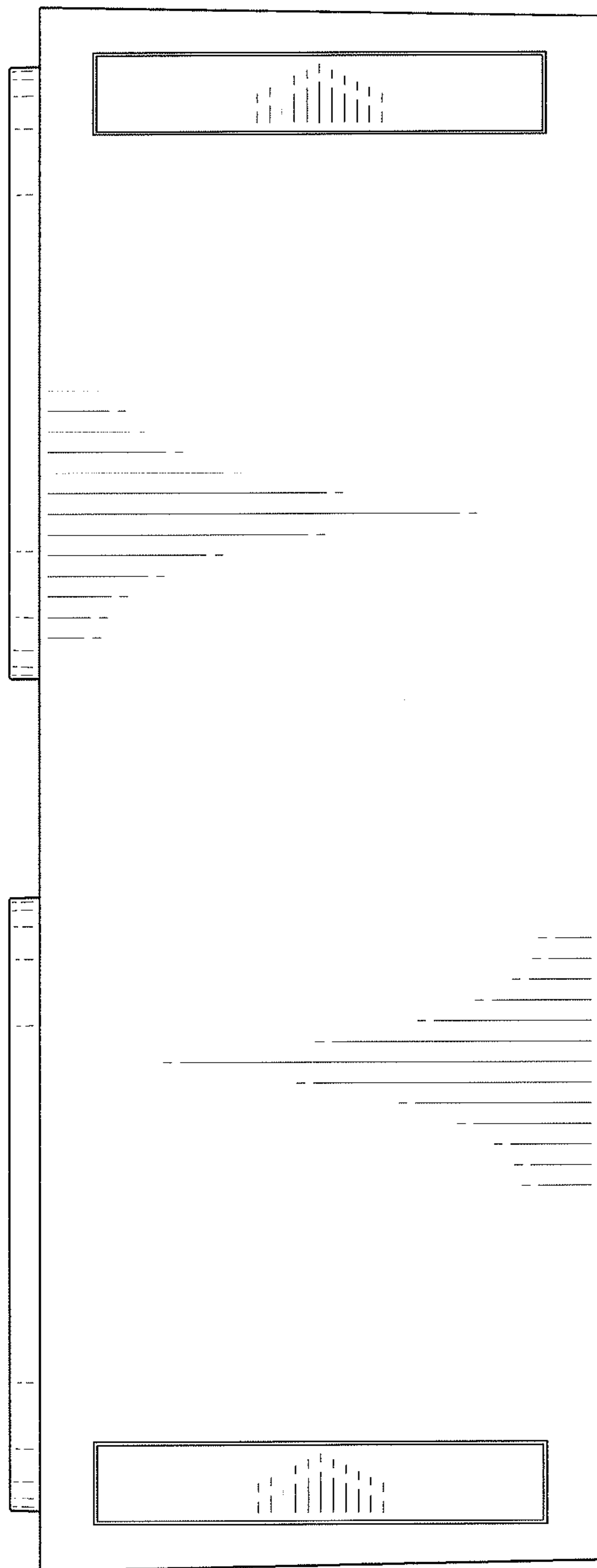


FIG. 5

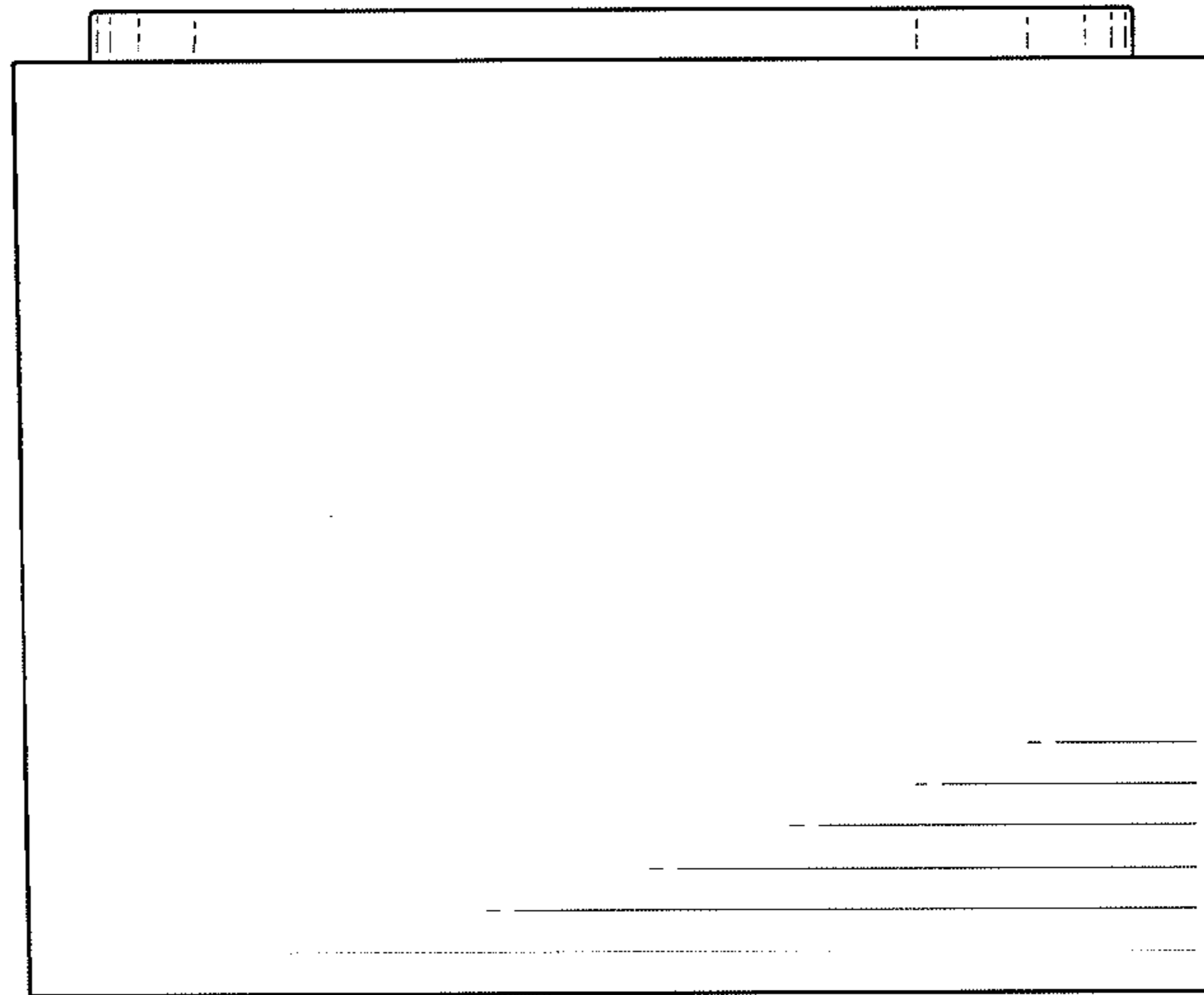


FIG. 6

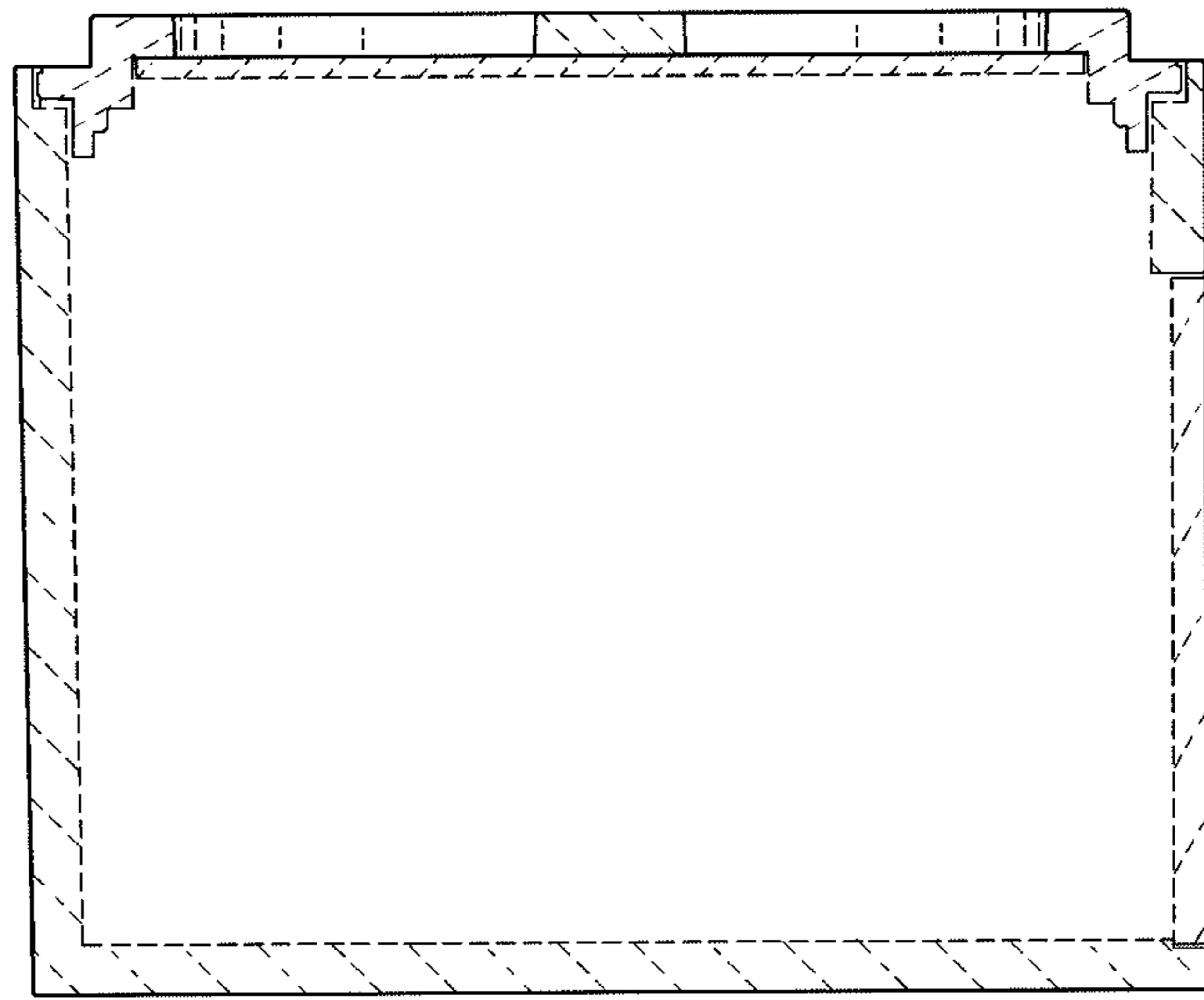


FIG. 7



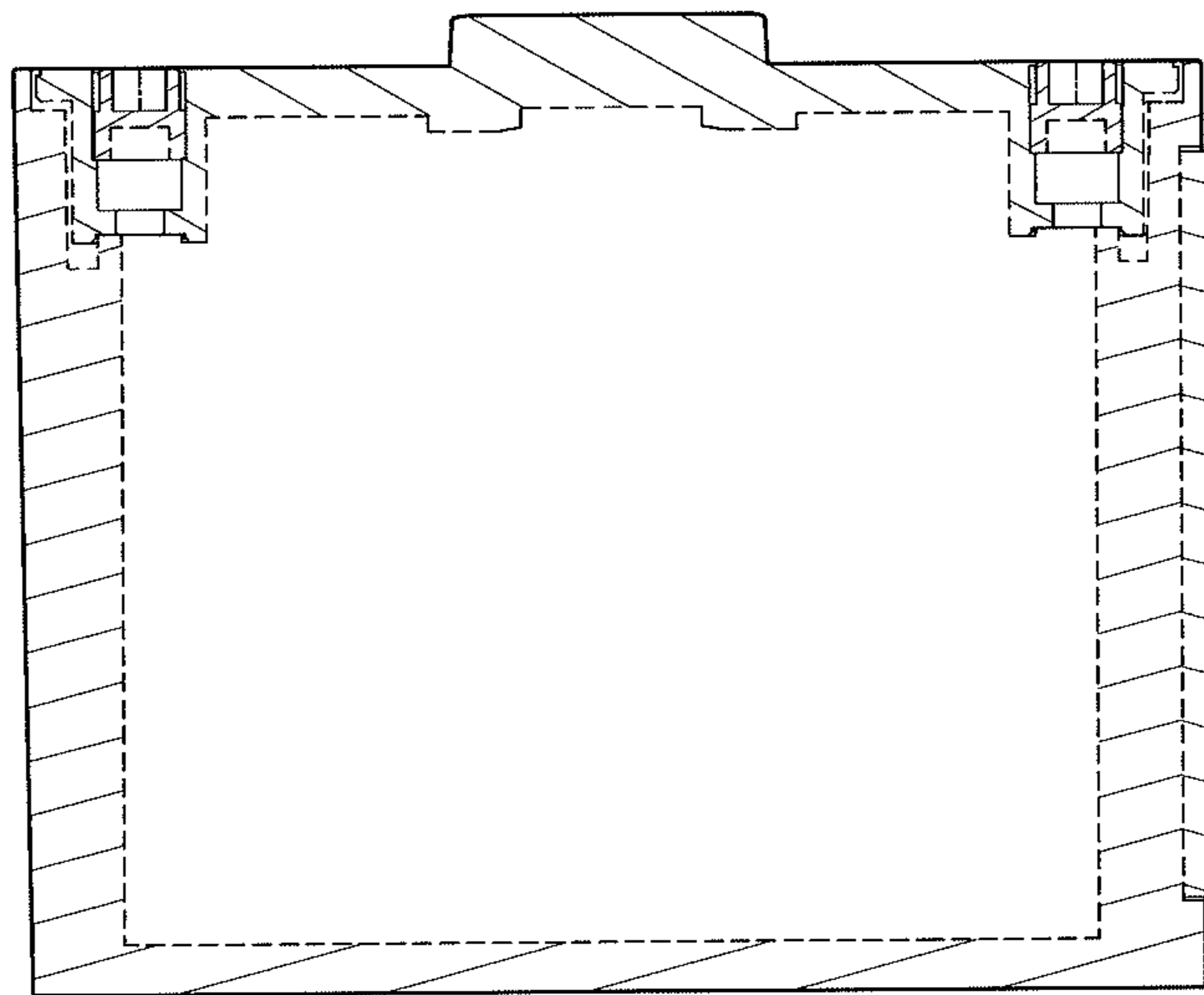


FIG. 8