

US00D692411S

(12) **United States Design Patent**
Joseph

(10) **Patent No.:** **US D692,411 S**

(45) **Date of Patent:** **** Oct. 29, 2013**

(54) **CUP HOLDER BLUETOOTH
SPEAKERPHONE SYSTEM**

(75) Inventor: **Brian Joseph**, Brooklyn, NY (US)

(73) Assignee: **SDI Technologies, Inc.**, Rahway, NJ
(US)

(**) Term: **14 Years**

(21) Appl. No.: **29/400,917**

(22) Filed: **Sep. 2, 2011**

(51) **LOC (9) Cl.** **14-03**

(52) **U.S. Cl.**
USPC **D14/215**; D14/216

(58) **Field of Classification Search**
USPC D14/167, 168, 170–172, 188, 194–196,
D14/204, 207, 209.1, 210–216, 221, 222;
181/143, 144, 147, 148, 150, 153, 157,
181/198, 199; 381/300–303, 306, 332, 333,
381/336, 345, 361–364, 386–388;
D13/107, 108; 455/344–351; 369/6–12
See application file for complete search history.

(56) **References Cited**

U.S. PATENT DOCUMENTS

D542,279 S *	5/2007	Chan	D14/216
D562,805 S *	2/2008	Tokuno	D14/216
D608,347 S *	1/2010	Graber	D14/216
D610,572 S *	2/2010	Skurdal	D14/216
D612,837 S *	3/2010	Murray	D14/216
D617,314 S *	6/2010	Zha	D14/216

D621,347 S *	8/2010	Aulwes et al.	D13/108
7,931,505 B2 *	4/2011	Howard et al.	439/680
D644,204 S *	8/2011	Poandl	D14/215
D671,095 S *	11/2012	Ching	D14/210
D676,420 S *	2/2013	Holzer	D14/212
D676,421 S *	2/2013	Garrett	D14/214
D678,243 S *	3/2013	McManigal et al.	D14/214

* cited by examiner

Primary Examiner — Keli L Hill

(74) *Attorney, Agent, or Firm* — Ostrolenk Faber LLP

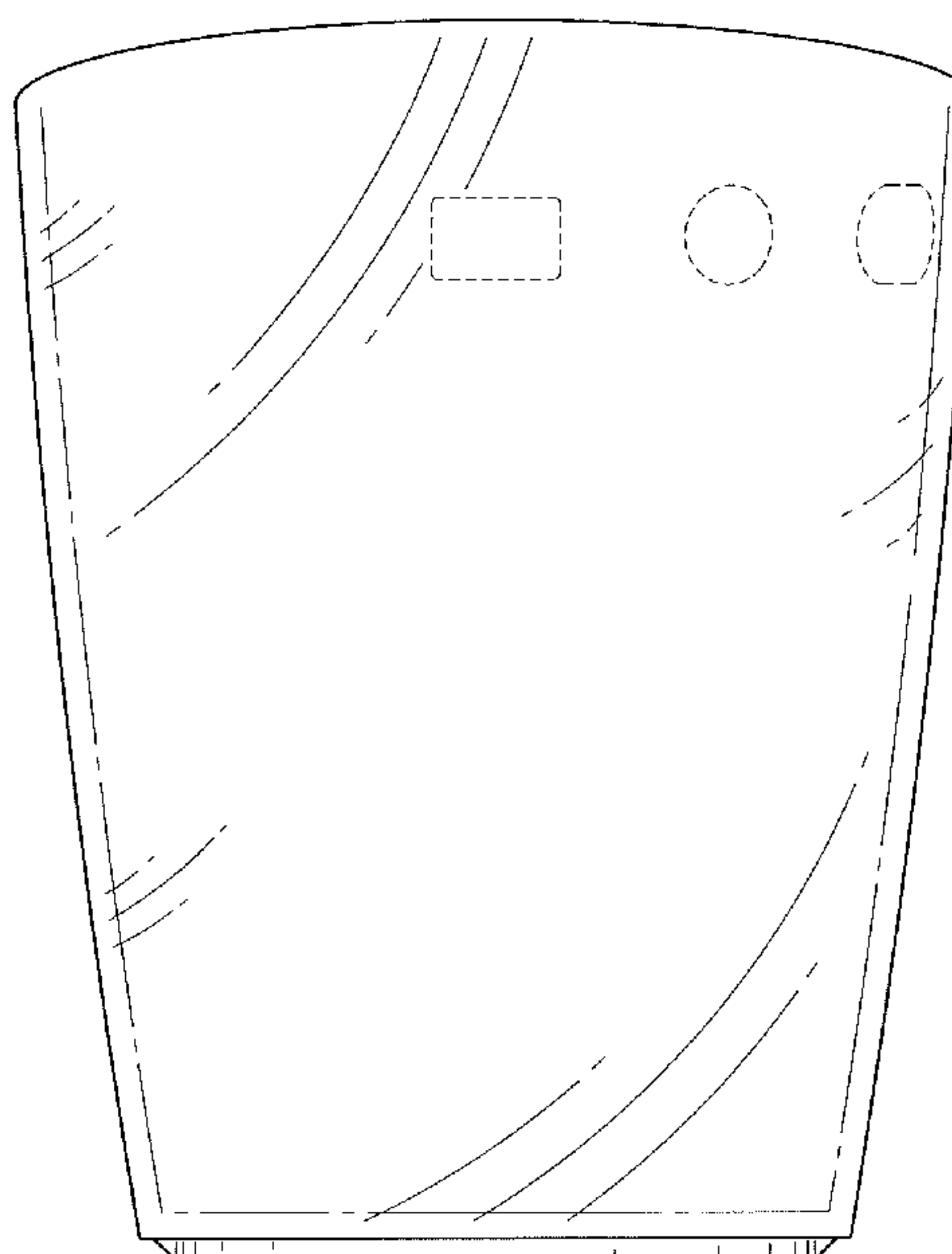
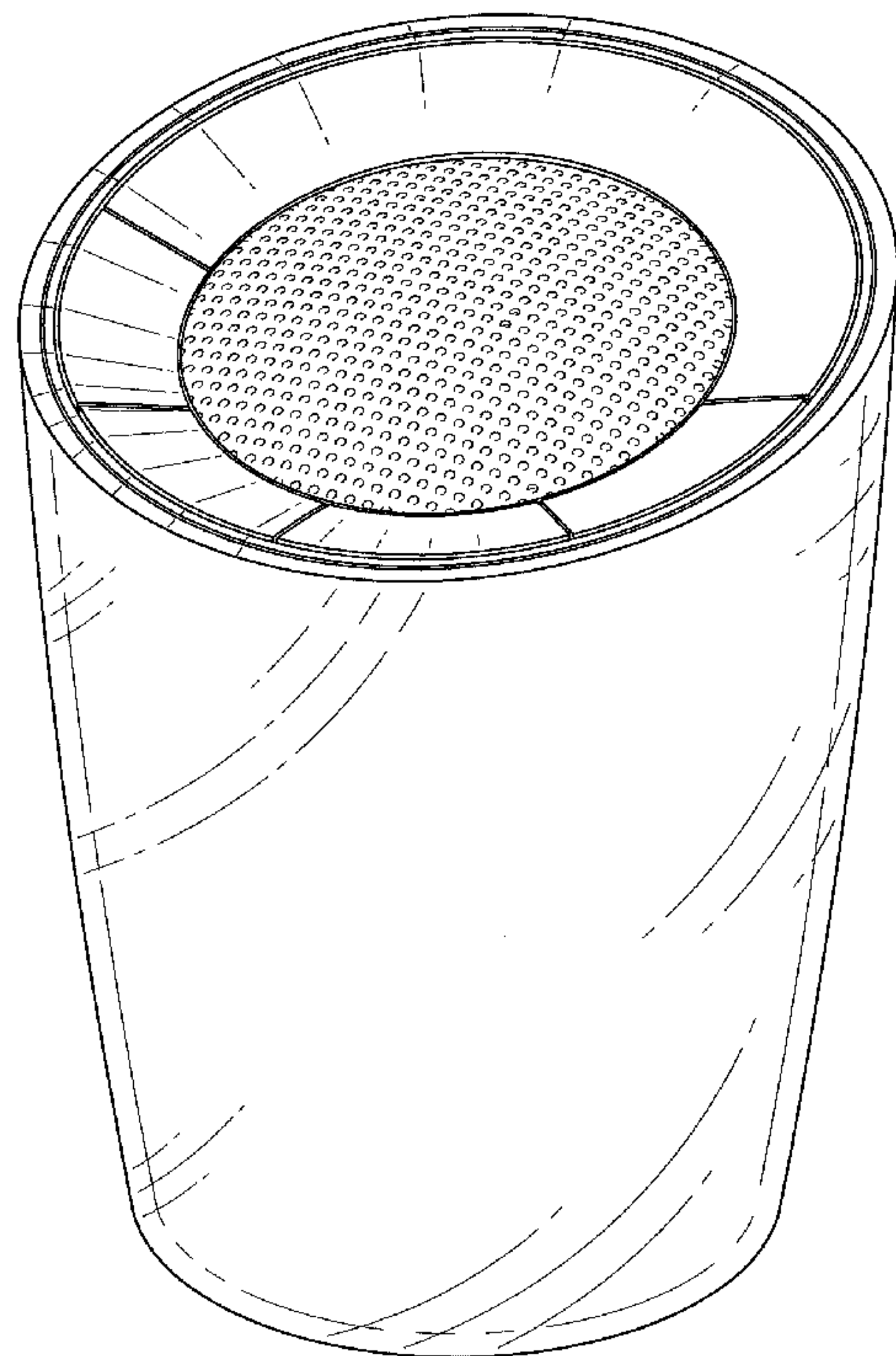
(57) **CLAIM**

The ornamental design for a cup holder bluetooth speaker-
phone system, as shown and described.

DESCRIPTION

FIG. 1 is a front perspective view of a cup holder bluetooth
speakerphone system showing my new design;
FIG. 2 is a front view thereof;
FIG. 3 is a rear view thereof;
FIG. 4 is a top view thereof;
FIG. 5 is a bottom view thereof;
FIG. 6 is a side view thereof, the opposite side view being a
mirror image; and,
FIG. 7 is a cross-sectional view along line 7-7 in FIG. 2.
The broken lines in the drawings illustrate environmental
material that forms no part of the claimed design.
The characteristic feature of the design resides in the external
body being clear and the internal body, inside the external
body, being opaque.

1 Claim, 7 Drawing Sheets



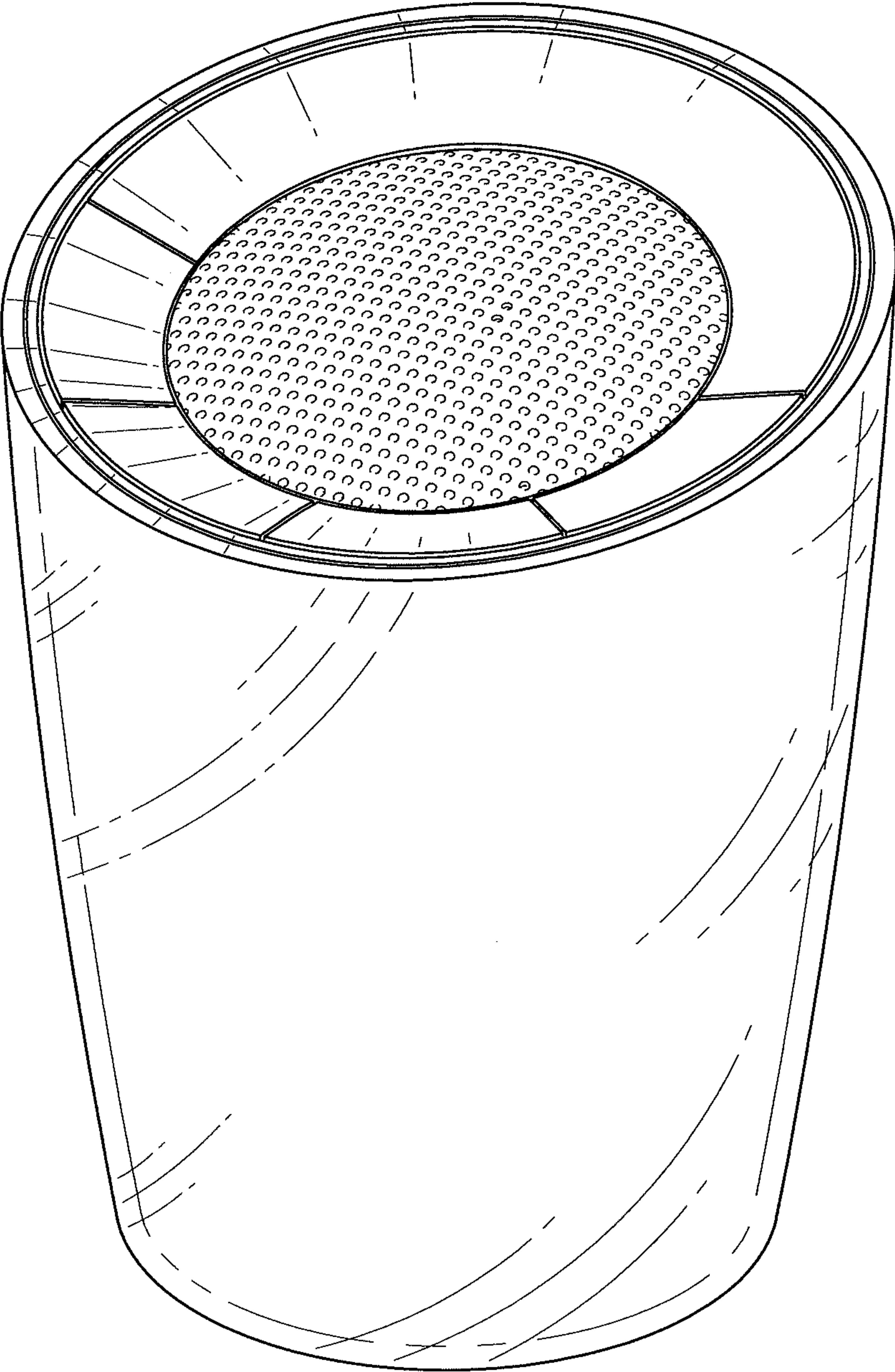


FIG. 1

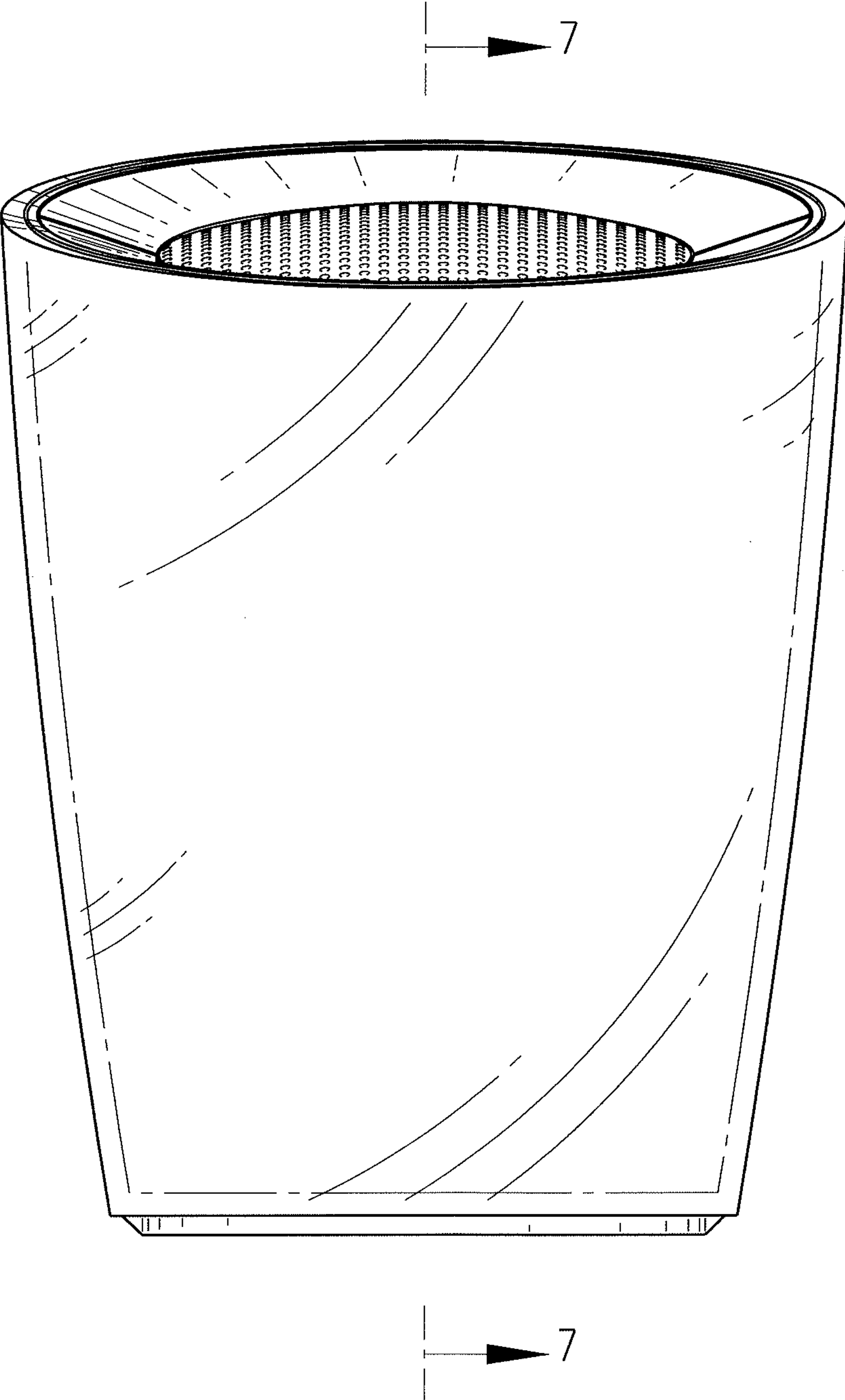


FIG. 2

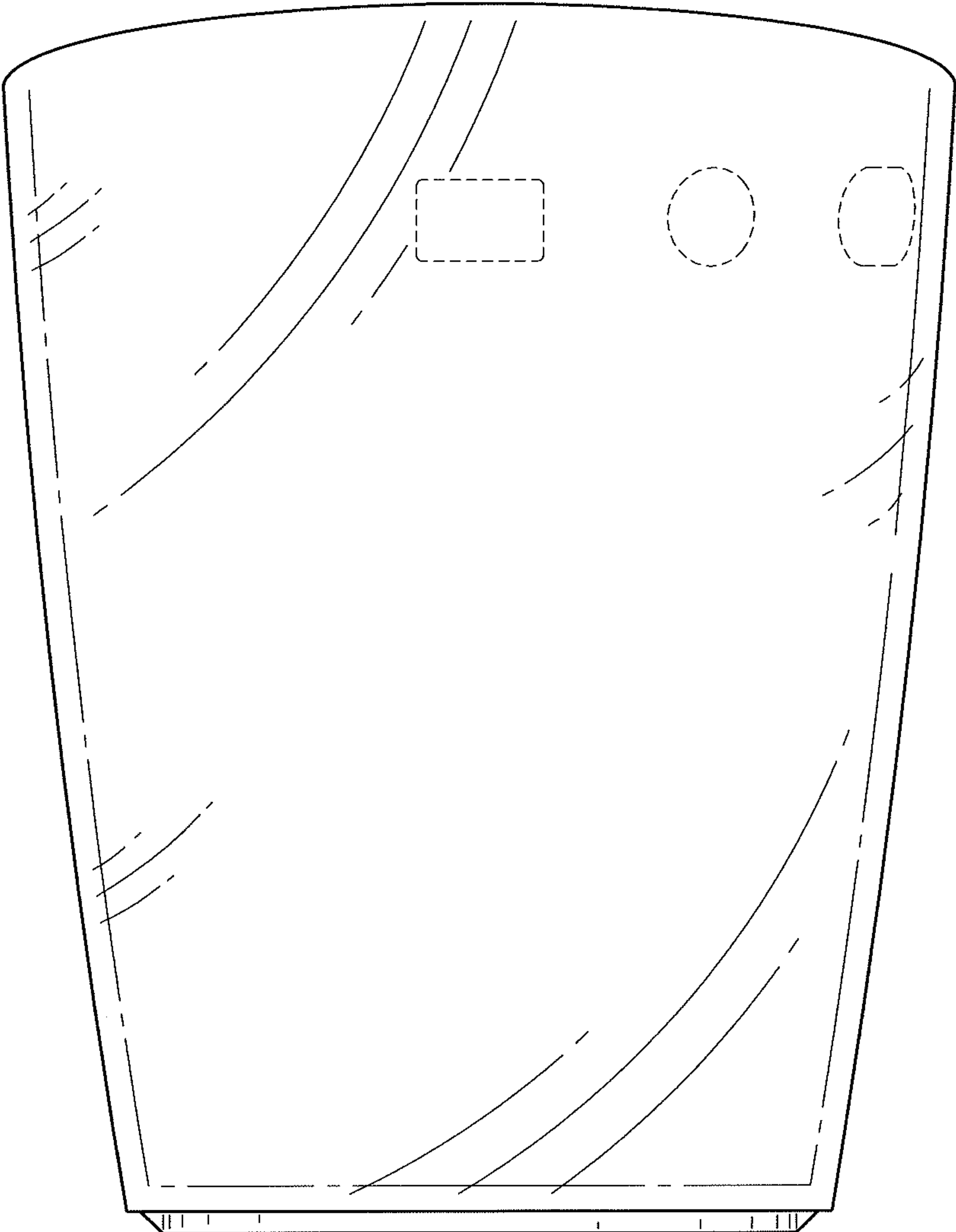


FIG. 3

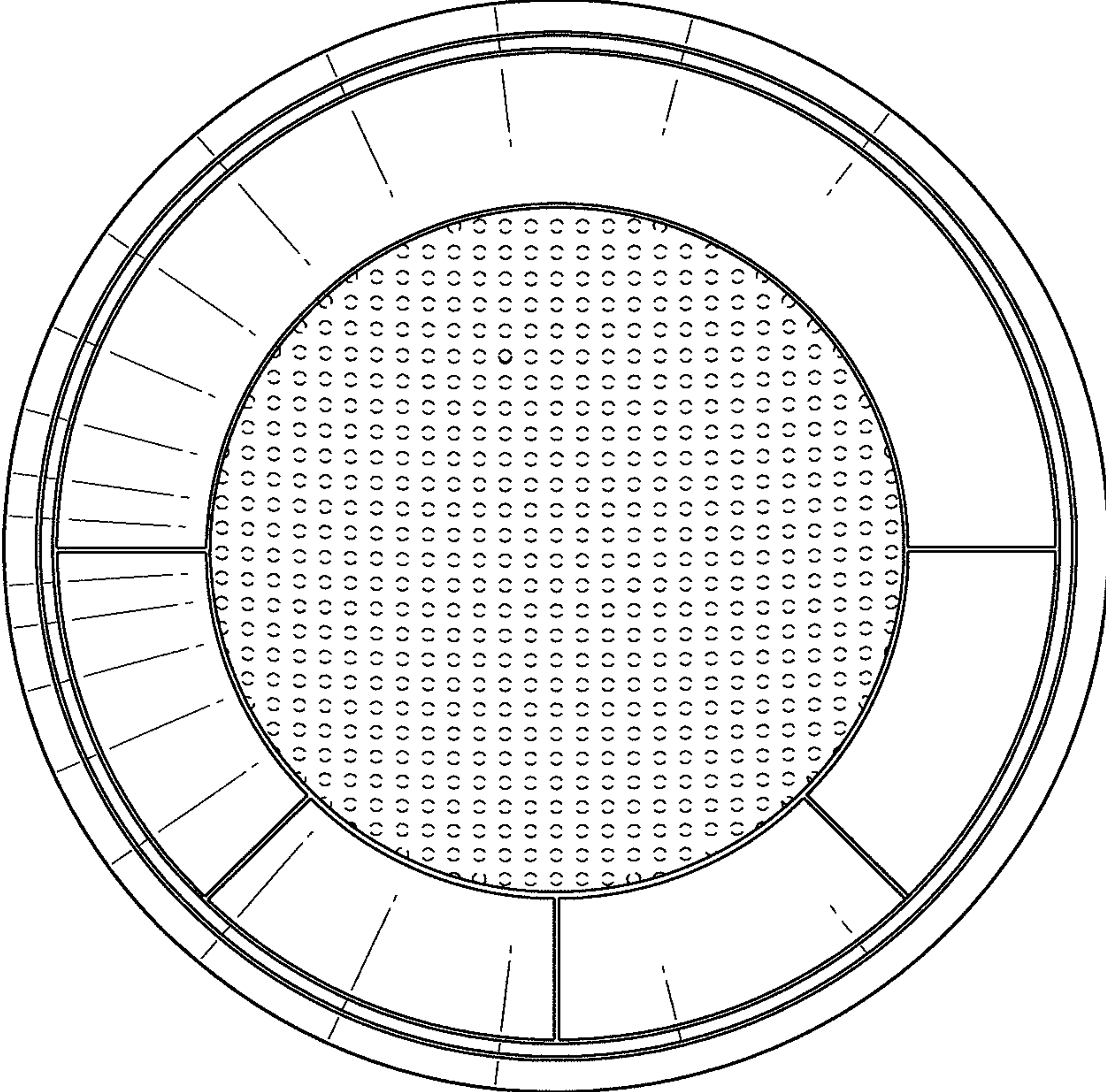


FIG. 4

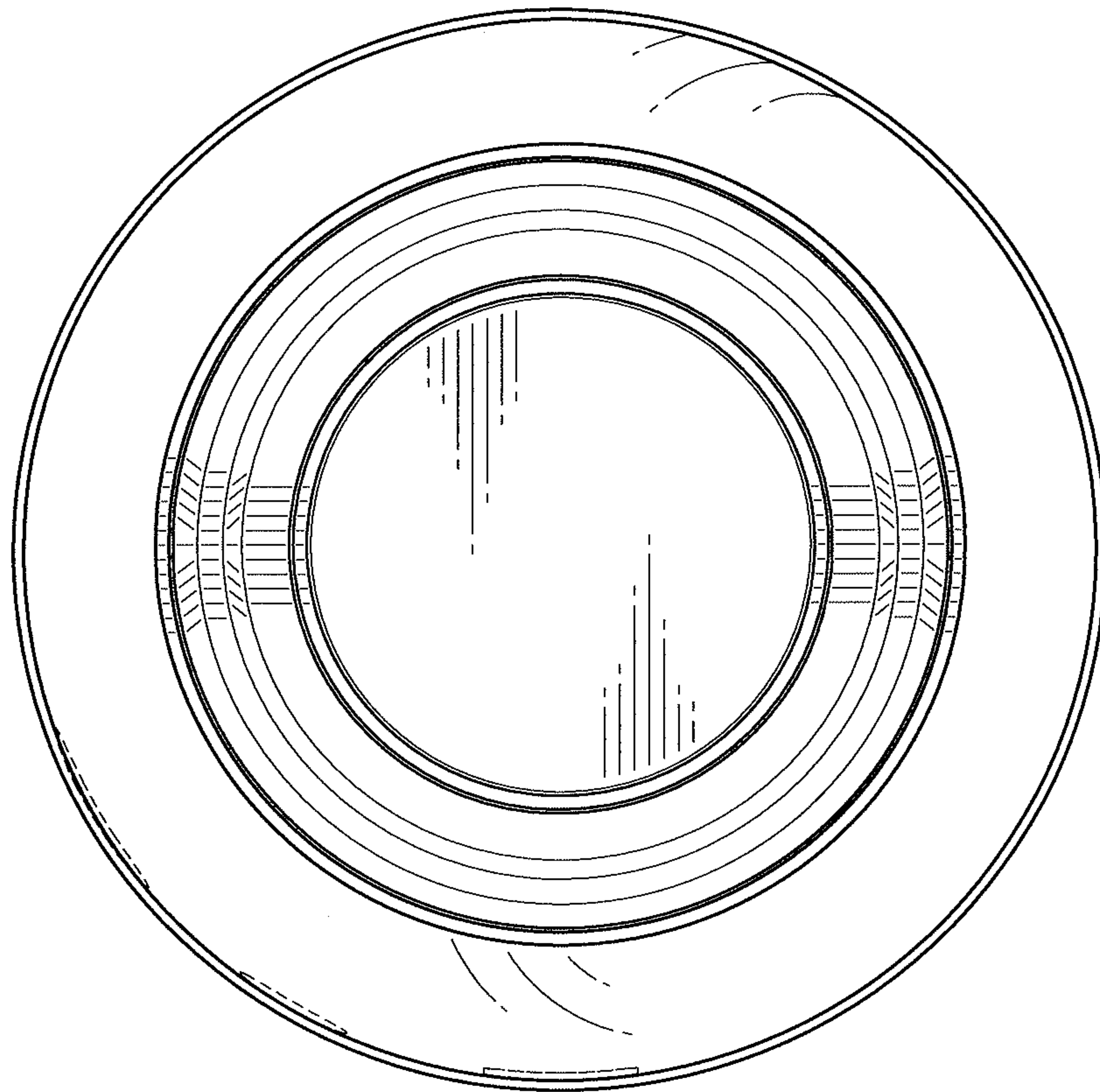


FIG. 5

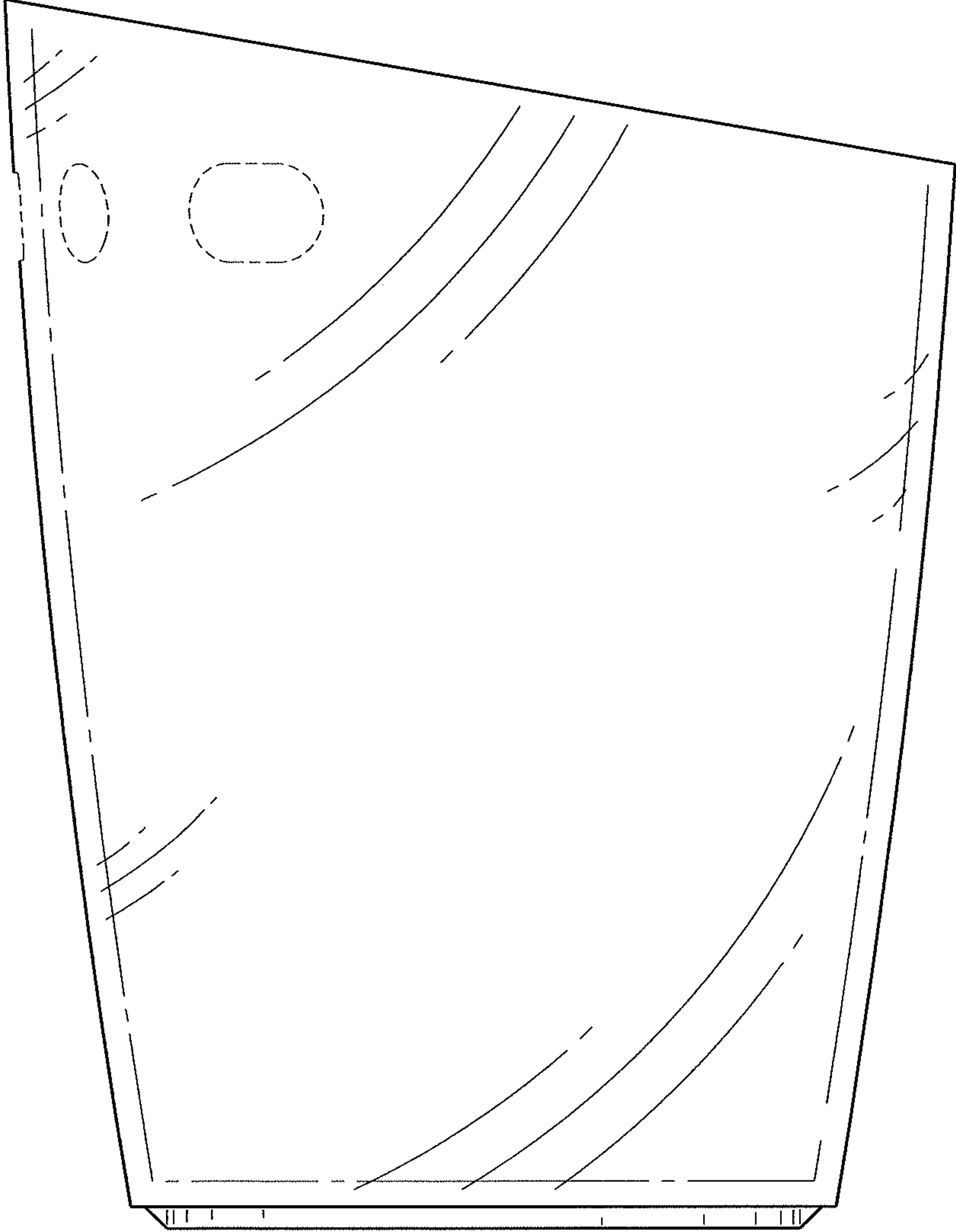


FIG. 6

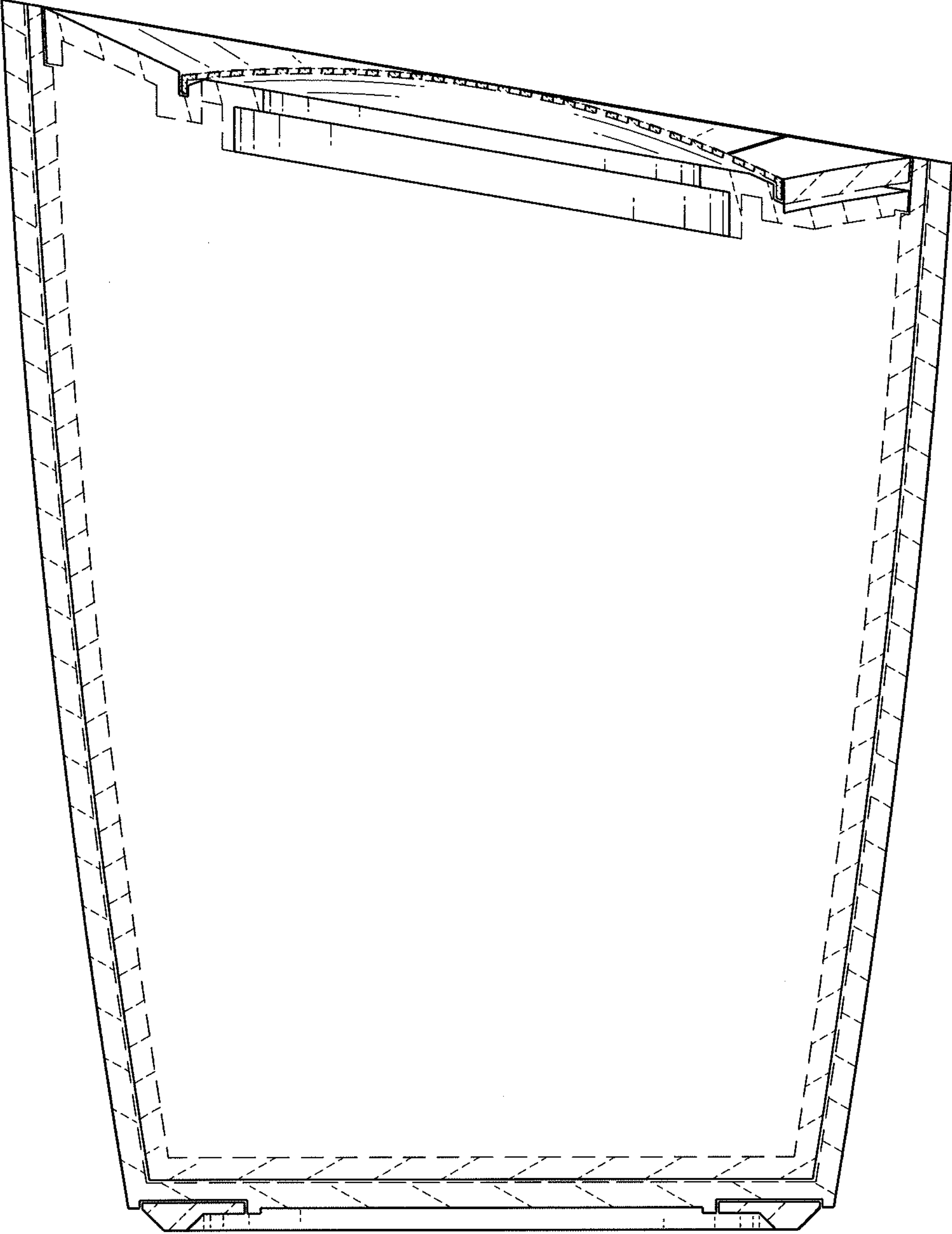


FIG. 7