



US00D692410S

(12) **United States Design Patent**
Brunner et al.

(10) **Patent No.:** **US D692,410 S**
(45) **Date of Patent:** **** Oct. 29, 2013**

(54) **GAMING HEADSET**

FOREIGN PATENT DOCUMENTS

(75) Inventors: **Robert Brunner**, San Francisco, CA (US); **Christopher Kuh**, San Francisco, CA (US)

GB 2072035 5/1998
JP D1318386 12/2007
WO WO 2007103561 9/2007
WO WO 2012094176 7/2012

(73) Assignee: **Beats Electronics, LLC**, Santa Monica, CA (US)

OTHER PUBLICATIONS

(**) Term: **14 Years**

Office Action dated Dec. 10, 2010 for Russian Patent Application No. 2010501890.

(21) Appl. No.: **29/410,584**

(Continued)

(22) Filed: **Jan. 9, 2012**

Primary Examiner — Paula Greene

(51) **LOC (9) Cl.** **14-01**

(74) *Attorney, Agent, or Firm* — Michael G. Kelber; Neal, Gerber & Eisenberg LLP

(52) **U.S. Cl.**
USPC **D14/206**

(58) **Field of Classification Search**
USPC D14/205, 206, 226, 225, 223, 224, 372;
D29/112, 122; 2/209; 345/7; 181/129,
181/130, 135; 379/430, 431; 381/380, 381
See application file for complete search history.

(57) **CLAIM**

The ornamental design for a gaming headset, as shown and described.

(56) **References Cited**

DESCRIPTION

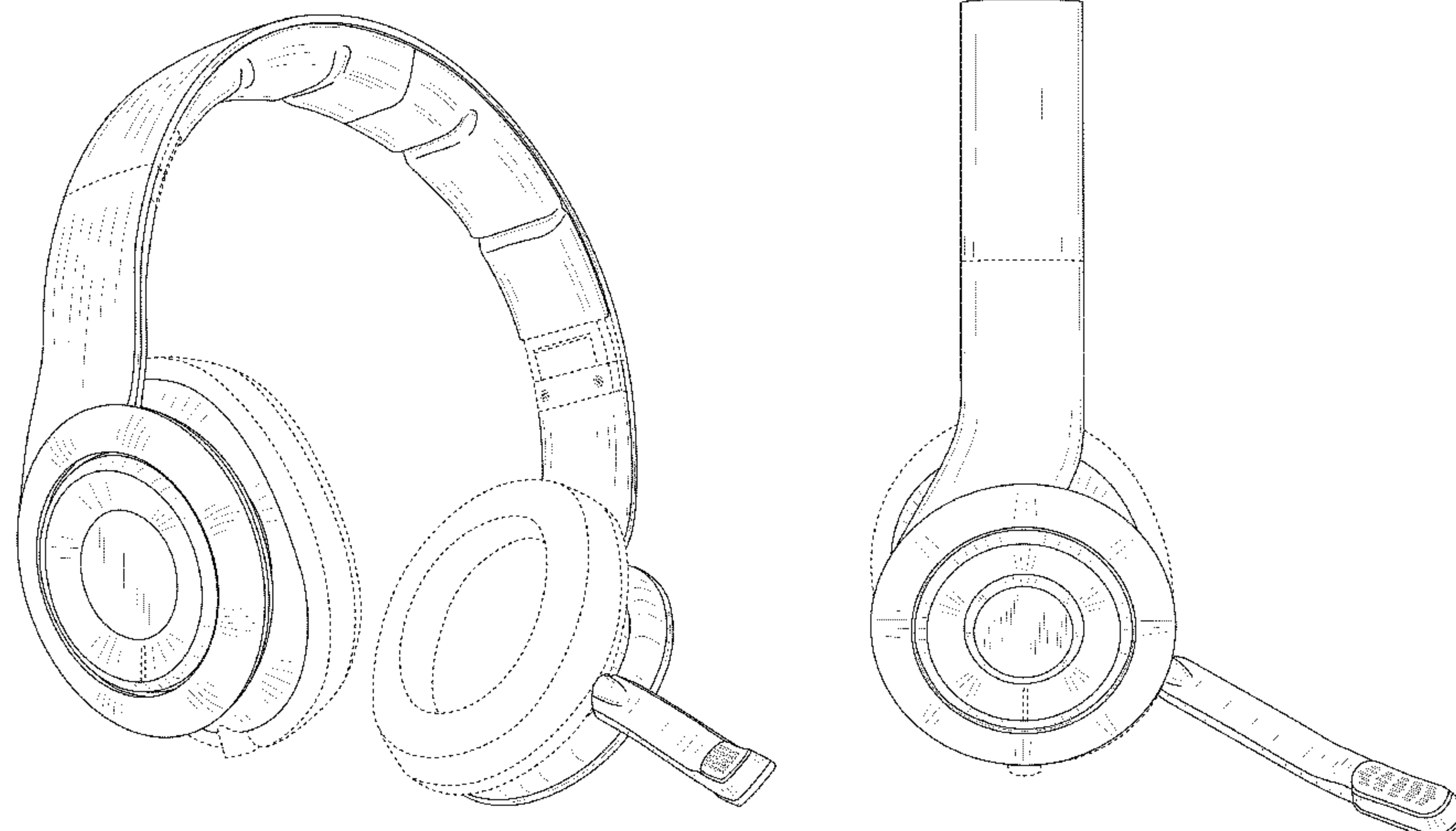
U.S. PATENT DOCUMENTS

1,066,511 A	7/1913	Markoff	
3,104,398 A *	9/1963	Palmaer	2/209
D244,300 S	5/1977	Besasie	
4,173,715 A	11/1979	Gosman	
D254,183 S	2/1980	Doodson	
D254,876 S	5/1980	Reitenga	
4,609,786 A	9/1986	Omoto et al.	
4,634,816 A	1/1987	O'Malley et al.	
4,875,233 A	10/1989	Derhaag	
D313,092 S	12/1990	Nilsson	
5,018,599 A	5/1991	Dohi et al.	
5,035,005 A	7/1991	Hung	
D328,074 S	7/1992	Yamazaki et al.	
D328,461 S	8/1992	Daido et al.	
D338,010 S	8/1993	Yamatogi	
D351,172 S	10/1994	Nakamura et al.	
D358,389 S	5/1995	Isono	
D375,825 S	11/1996	Whidden	

FIG. 1 is a perspective view of the gaming headset in accordance with the present invention;
FIG. 2 is a back view of the embodiment of the gaming headset depicted in FIG. 1;
FIG. 3 is a bottom side view of the embodiment of the gaming headset depicted in FIG. 1;
FIG. 4 is a front side view of the embodiment of the gaming headset depicted in FIG. 1;
FIG. 5 is a left view of the embodiment of the gaming headset depicted in FIG. 1;
FIG. 6 is a right view of the embodiment of the gaming headset depicted in FIG. 1; and,
FIG. 7 is a top view of the embodiment of the gaming headset depicted in FIG. 1.
The broken lines form no part of the claimed design.

(Continued)

1 Claim, 7 Drawing Sheets



(56)

References Cited

U.S. PATENT DOCUMENTS

D403,128 S * 12/1998 Scanlon et al. D29/122
 D420,356 S 2/2000 Suzuki
 D422,592 S 4/2000 Deguchi
 6,081,604 A 6/2000 Hikichi et al.
 D430,140 S 8/2000 Roman
 D435,249 S 12/2000 Yasutomi
 6,163,615 A 12/2000 Callahan
 6,195,839 B1 3/2001 Patterson et al.
 D457,512 S 5/2002 Yoneda
 6,449,806 B1 * 9/2002 Engelhard et al. 24/3.1
 D468,723 S 1/2003 Pham
 D484,485 S 12/2003 Matsuoka
 6,654,966 B2 12/2003 Rolla et al.
 D484,868 S 1/2004 Suzuki
 6,678,897 B2 1/2004 Lindgren
 D491,163 S 6/2004 Green
 D502,938 S 3/2005 Tokioka
 D504,883 S 5/2005 Jacobson et al.
 D512,381 S 12/2005 Sirichai et al.
 D512,708 S 12/2005 Harris, Jr. et al.
 D512,981 S 12/2005 Jacobson et al.
 D517,043 S 3/2006 Jacobson et al.
 7,072,483 B2 7/2006 Lenhard-Backhaus
 D532,407 S 11/2006 Motoishi
 D534,155 S 12/2006 Obata
 D534,156 S 12/2006 Obata
 7,172,052 B2 2/2007 Lenhard-Backhaus
 D539,788 S * 4/2007 Thompson et al. D14/225
 D540,301 S 4/2007 Obata
 D540,303 S * 4/2007 Rausch et al. D14/205
 D541,256 S * 4/2007 Rausch et al. D14/205
 D541,257 S 4/2007 Thursfield
 D552,077 S * 10/2007 Brunner et al. D14/205
 D557,684 S 12/2007 Pundsack et al.
 D563,382 S 3/2008 Wikel
 D563,995 S 3/2008 Deguchi et al.
 D582,890 S 12/2008 Koza et al.
 D584,715 S 1/2009 Brennwald
 D585,870 S 2/2009 Zheng et al.
 D585,871 S 2/2009 Lee
 D585,872 S 2/2009 Lee
 D588,098 S 3/2009 Kurihara
 D588,100 S 3/2009 Densho
 D591,263 S 4/2009 Shimizu
 D592,182 S 5/2009 Sanguinetti
 D592,640 S 5/2009 Tkachuk
 D593,995 S 6/2009 Shimizu
 D600,674 S 9/2009 Brennwald
 D603,370 S 11/2009 Suzuki

D603,371 S 11/2009 Boateng et al.
 D616,865 S 6/2010 Marchand et al.
 D617,769 S 6/2010 Birger
 7,735,154 B2 6/2010 Gellis et al.
 D625,705 S 10/2010 Oho et al.
 D632,668 S * 2/2011 Brunner et al. D14/205
 D633,896 S 3/2011 Kondo et al.
 D635,959 S 4/2011 Hutchieson
 D637,176 S 5/2011 Brunner et al.
 D637,998 S * 5/2011 Brunner et al. D14/205
 D637,999 S * 5/2011 Brunner et al. D14/205
 D638,000 S * 5/2011 Hoggarth D14/206
 D639,776 S 6/2011 Arimoto
 D641,725 S 7/2011 Chong et al.
 D648,330 S * 11/2011 Fischer D14/226
 D652,017 S * 1/2012 Groves et al. D14/206
 D652,405 S 1/2012 Lee et al.
 D652,406 S * 1/2012 Lee et al. D14/205
 D654,471 S * 2/2012 Fischer D14/206
 D654,472 S * 2/2012 Fischer D14/206
 D657,344 S * 4/2012 Brunner et al. D14/205
 D657,345 S * 4/2012 Brunner et al. D14/205
 D660,823 S * 5/2012 Hardi et al. D14/205
 D660,824 S * 5/2012 Hardi et al. D14/205
 D660,826 S * 5/2012 Brunner et al. D14/223
 D663,716 S * 7/2012 Hardi et al. D14/205
 D673,520 S * 1/2013 Tan D14/205
 D674,767 S * 1/2013 Brunner et al. D14/205
 2003/0182713 A1 10/2003 Rolla
 2004/0216946 A1 11/2004 Lenhard-Backhaus
 2005/0053255 A1 3/2005 Harris et al.
 2005/0226452 A1 10/2005 Amae et al.
 2006/0001307 A1 1/2006 Embach
 2006/0062417 A1 3/2006 Tachikawa
 2006/0104471 A1 5/2006 Tsunoda et al.
 2008/0056525 A1 3/2008 Fujiwara et al.
 2009/0220118 A1 9/2009 Meier et al.
 2010/0128884 A1 5/2010 Sapiejewski et al.
 2010/0284558 A1 11/2010 Kimura et al.
 2011/0206216 A1 8/2011 Brunner et al.

OTHER PUBLICATIONS

Search Report dated Mar. 31, 2011 for Taiwan Patent Application No. 099303306.
 Search Report and Written Opinion for PCT/US2011/67045 dated Sep. 27, 2012.
 Unpublished pending U.S. Appl. No. 29/417,832, filed Apr. 9, 2012, pursuant to the Commissioner's Notice dated Sep. 21, 2004.
 Unpublished pending U.S. Appl. No. 13/517,035, filed Jun. 18, 2012, pursuant to the Commissioner's Notice dated Sep. 21, 2004.

* cited by examiner

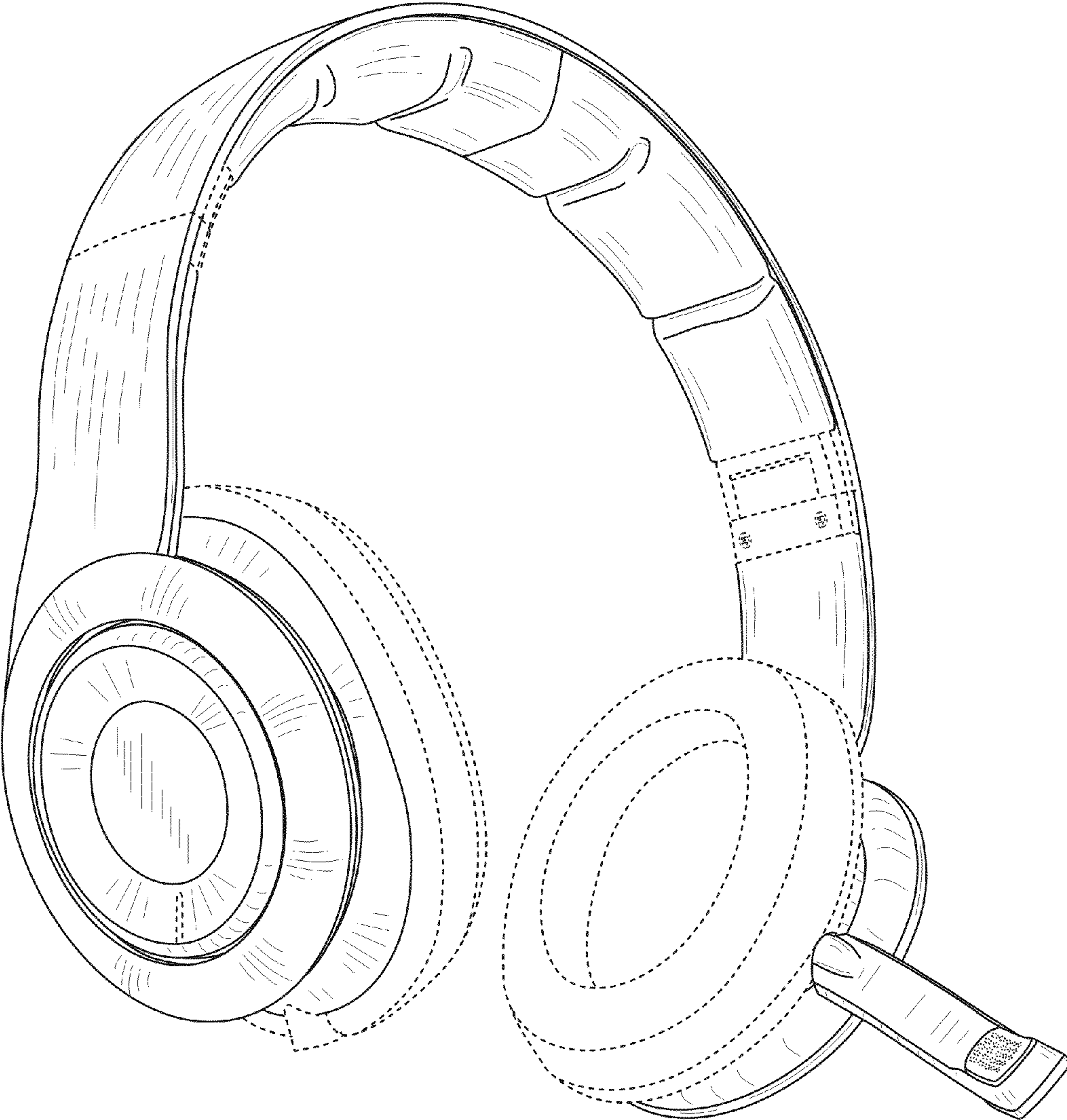


FIG. 1

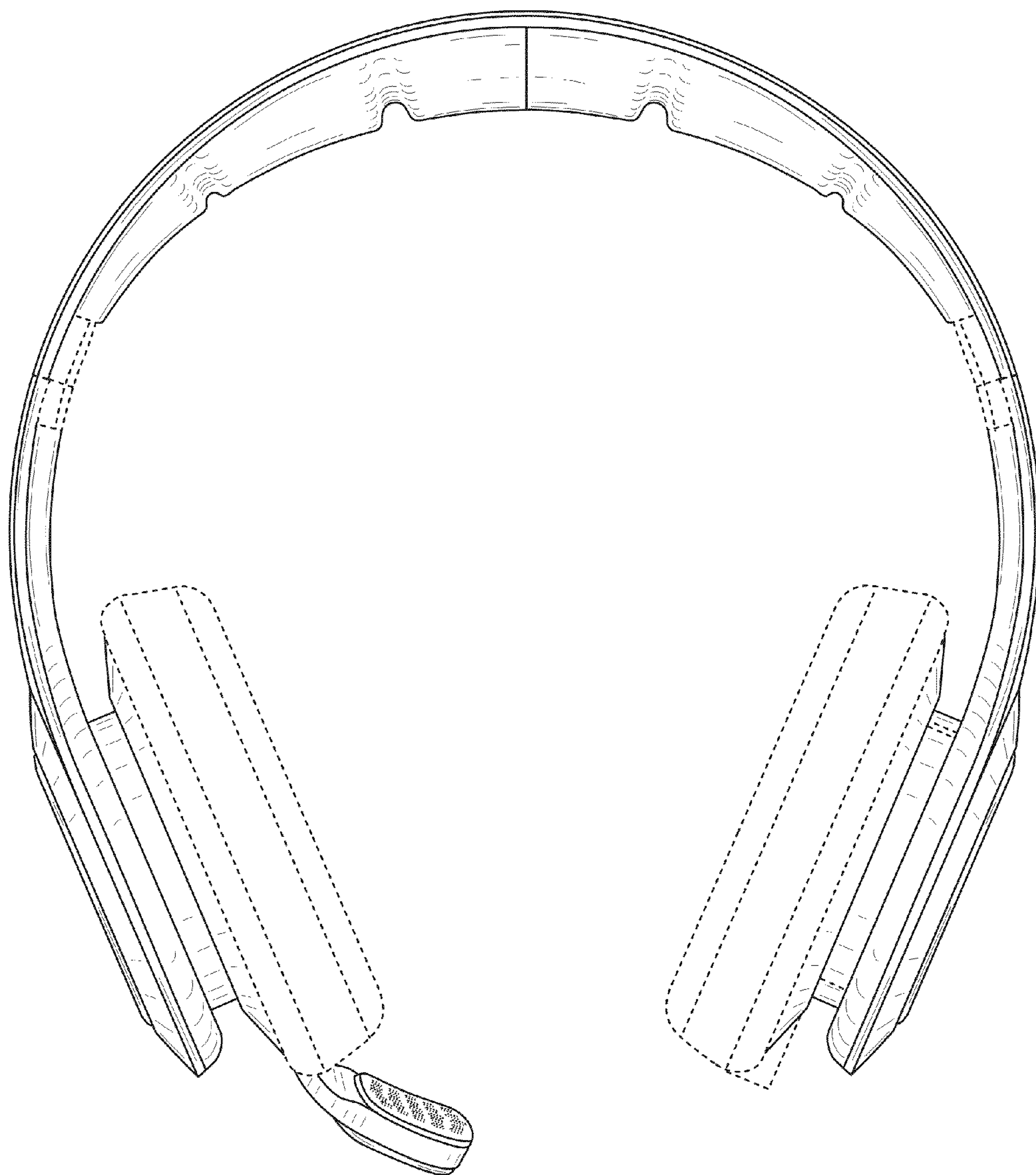


FIG. 2

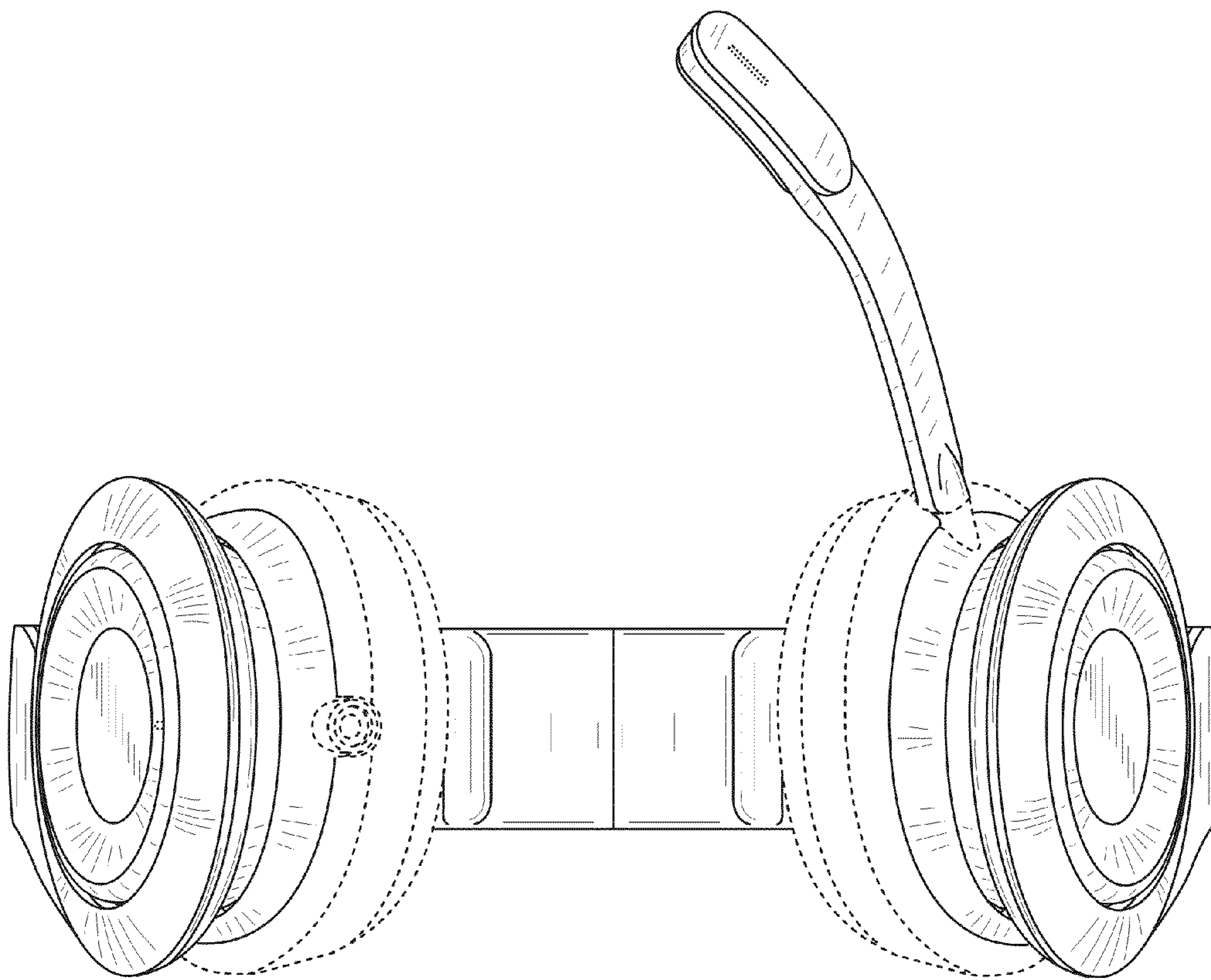


FIG. 3

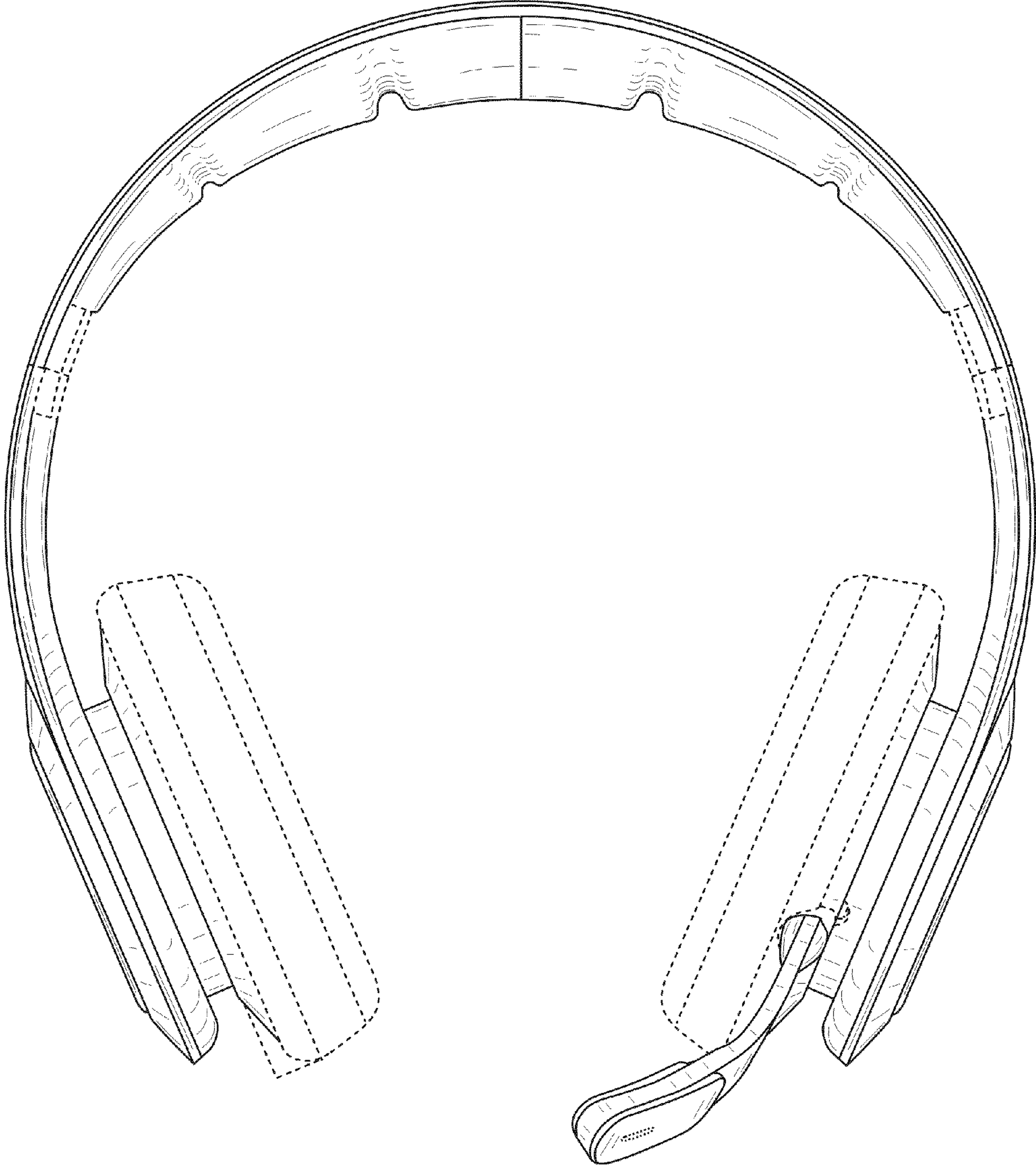


FIG. 4

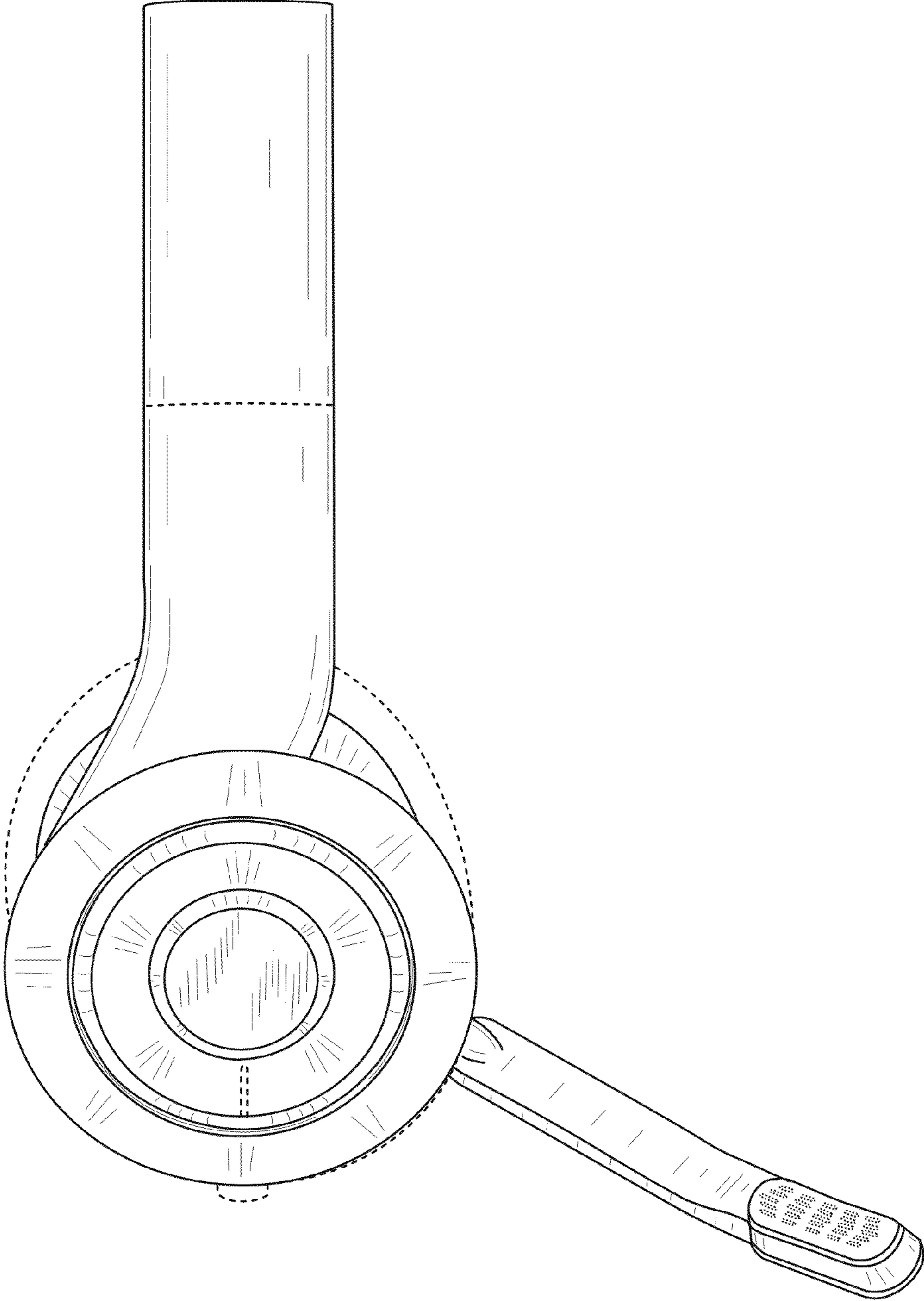


FIG. 5

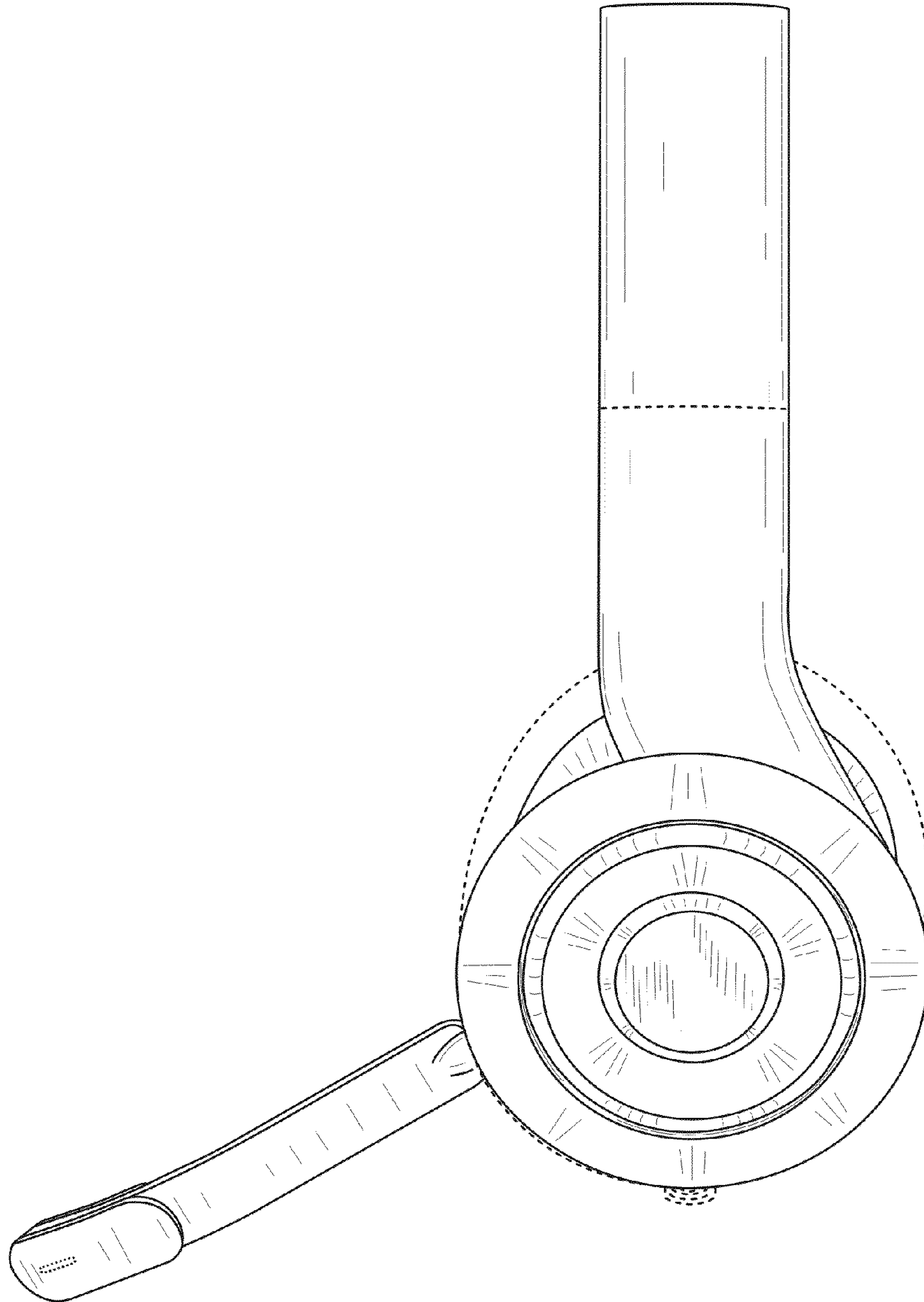


FIG. 6

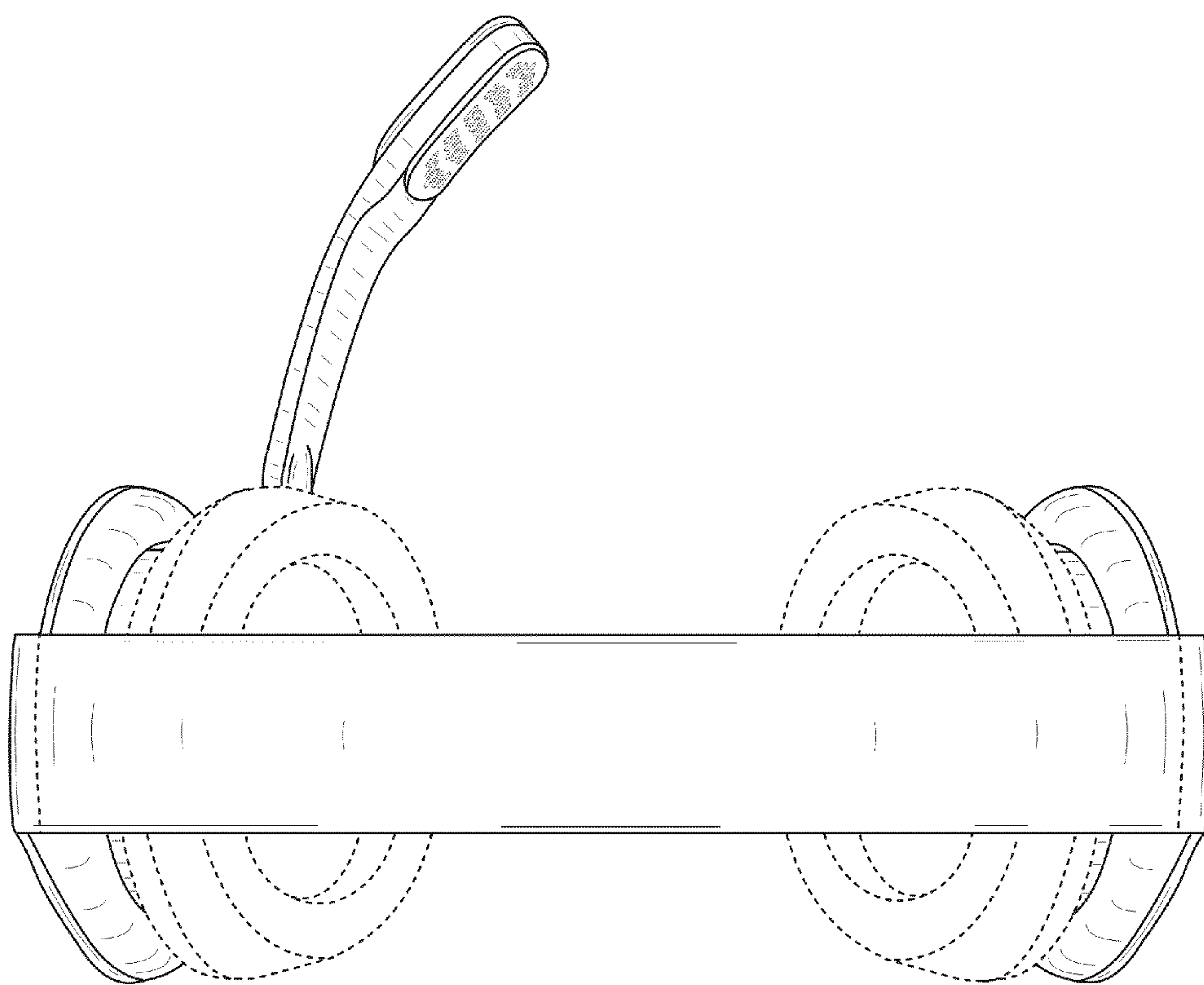


FIG. 7