



US00D692409S

(12) **United States Design Patent**
Takeno

(10) **Patent No.:** **US D692,409 S**
(45) **Date of Patent:** **** Oct. 29, 2013**

(54) **EARPHONES**

(75) Inventor: **Katsuyoshi Takeno**, Kanagawa (JP)

(73) Assignee: **D&M Holdings, Inc.**, Kanagawa (JP)

(**) Term: **14 Years**

(21) Appl. No.: **29/425,021**

(22) Filed: **Jun. 19, 2012**

(30) **Foreign Application Priority Data**

Dec. 19, 2011 (JP) 2011-029427

(51) **LOC (9) Cl.** **14-01**

(52) **U.S. Cl.**
USPC **D14/205**

(58) **Field of Classification Search**
USPC D14/205, 223, 188, 192, 206; 181/129,
181/130, 135; 379/430, 431; 381/380, 381;
455/90.3, 569.2, 575.3
See application file for complete search history.

(56) **References Cited**

U.S. PATENT DOCUMENTS

D278,234 S *	4/1985	Saito	D14/205
4,646,872 A *	3/1987	Kamon et al.	181/129
D318,670 S *	7/1991	Taniguchi	D14/205
D326,655 S *	6/1992	Iribe	D14/192
D334,043 S *	3/1993	Taniguchi et al.	D14/218
D430,547 S *	9/2000	Yoon	D14/142
D430,860 S *	9/2000	Yoon	D14/142
D464,945 S *	10/2002	Bosch	D14/206

D465,472 S *	11/2002	Bosch	D14/206
D565,022 S *	3/2008	Belliveau et al.	D14/205
D599,779 S *	9/2009	Ando	D14/205
D605,628 S *	12/2009	Ando	D14/205
D607,875 S *	1/2010	Pedersen, II	D14/206
D624,902 S *	10/2010	Kolton	D14/205
D653,235 S *	1/2012	McManigal	D14/205
D674,376 S *	1/2013	Kelly et al.	D14/223
D677,240 S *	3/2013	Coulter	D14/205
D678,242 S *	3/2013	Von Euler	D14/205

* cited by examiner

Primary Examiner — Paula Greene

(74) *Attorney, Agent, or Firm* — Peter A. Nieves; Sheehan
Phinney Bass + Green PA

(57) **CLAIM**

I claim the ornamental design for earphones, as shown and described.

DESCRIPTION

FIG. 1 is a front perspective view of earphones showing my new design, the cord is drawn broken away for indeterminate length;

FIG. 2 is a front view of the earphones;

FIG. 3 is a back view of the earphones;

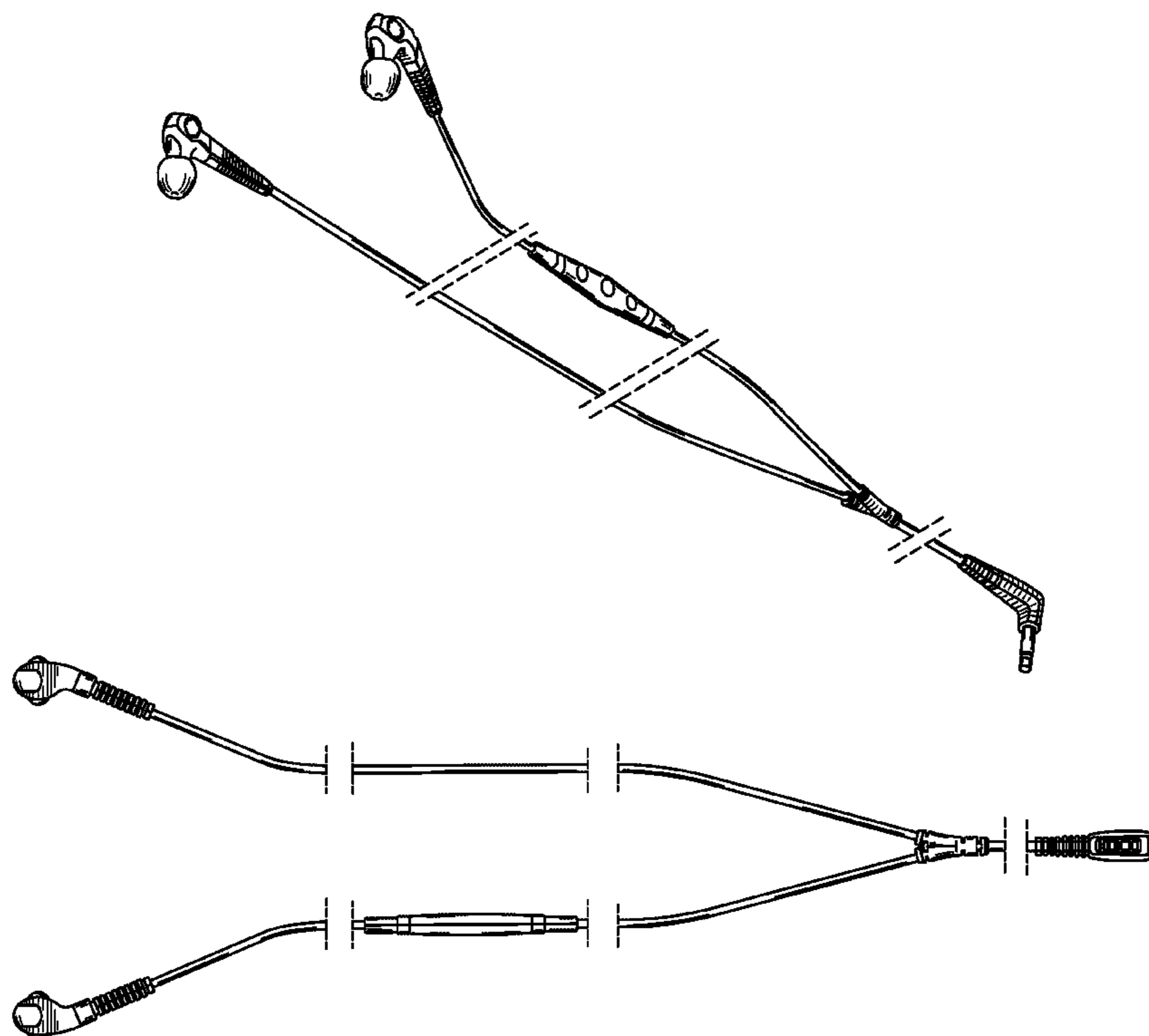
FIG. 4 is a top view of the earphones;

FIG. 5 is a bottom view of the earphones;

FIG. 6 is a left view of the earphones; and,

FIG. 7 is a right side view of the earphones.

1 Claim, 7 Drawing Sheets



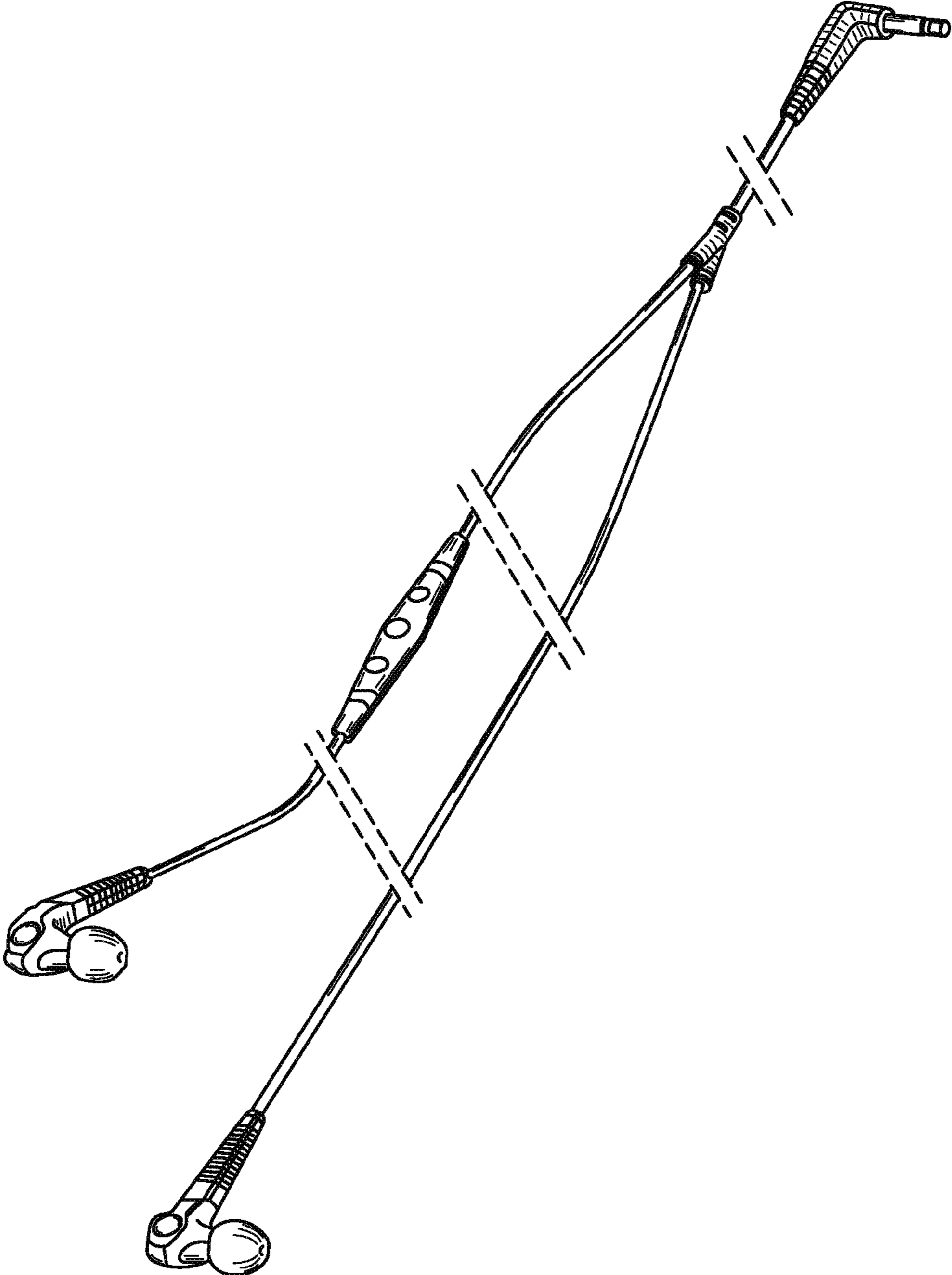


FIG. 1

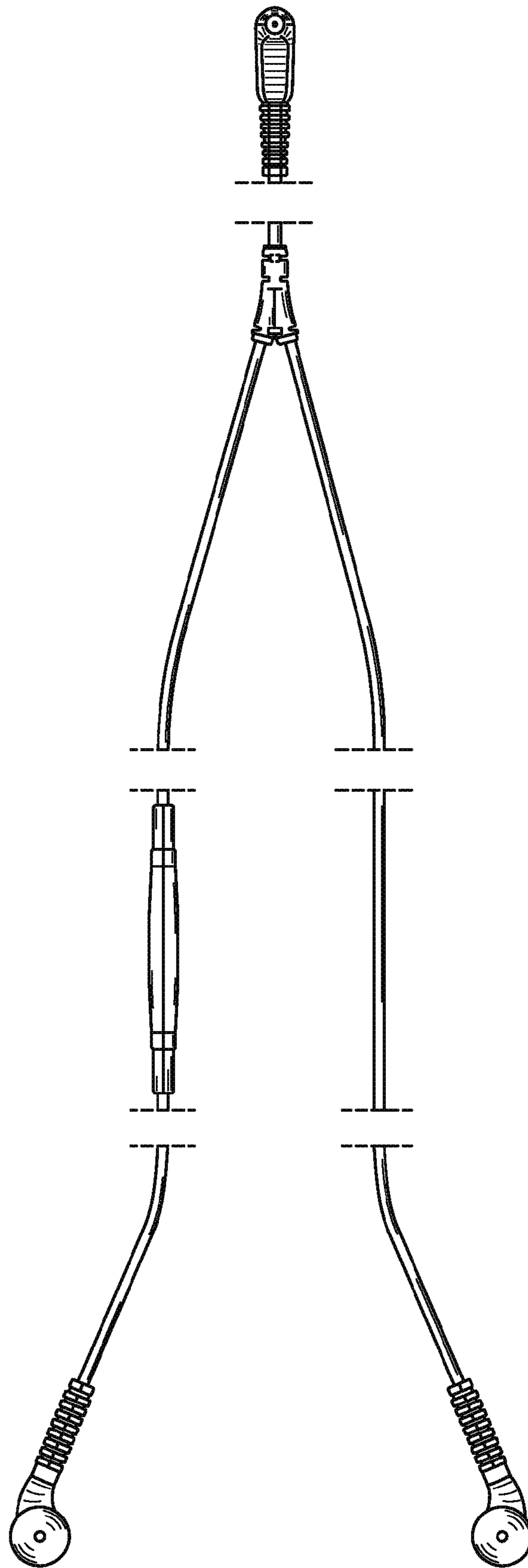


FIG. 2

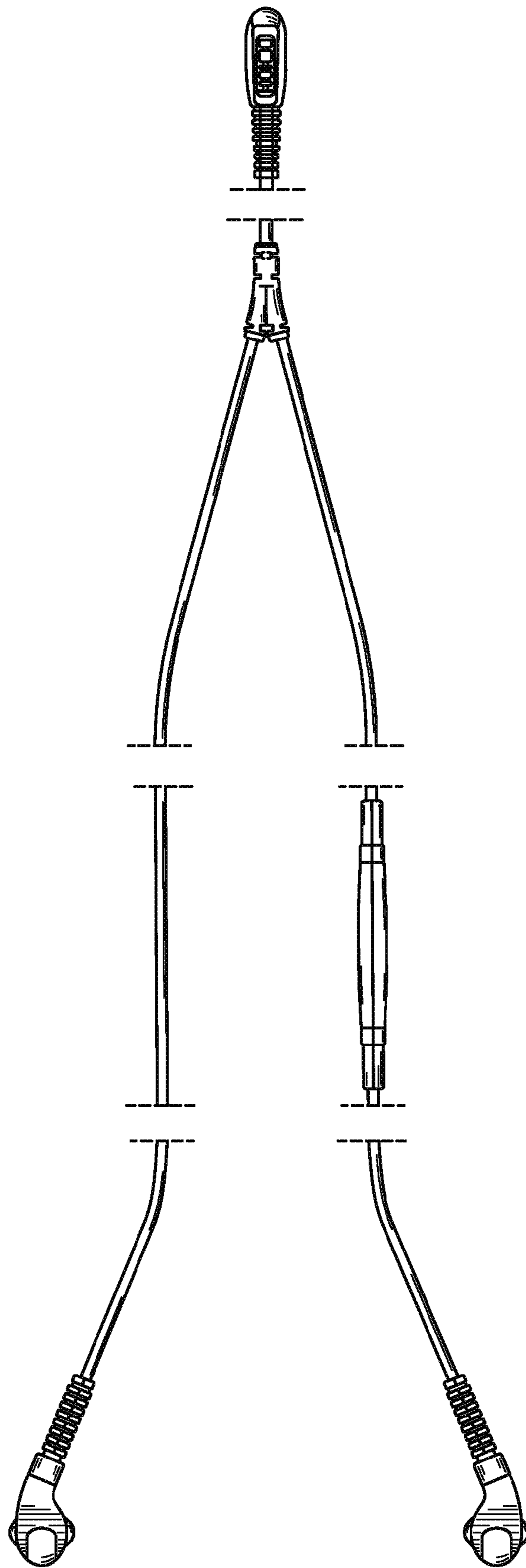


FIG. 3

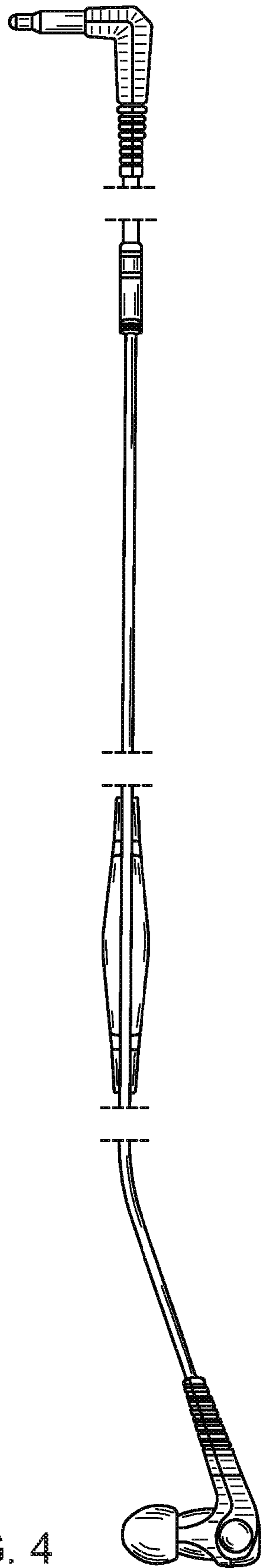


FIG. 4

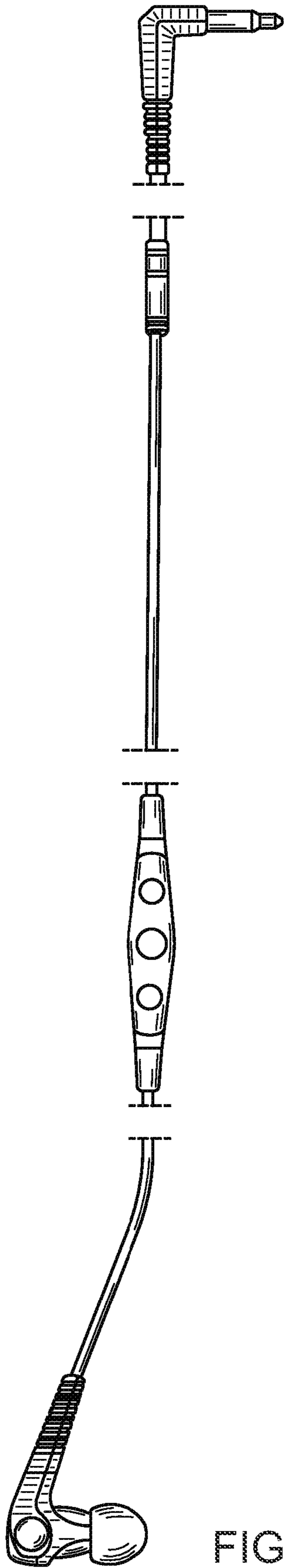


FIG.5

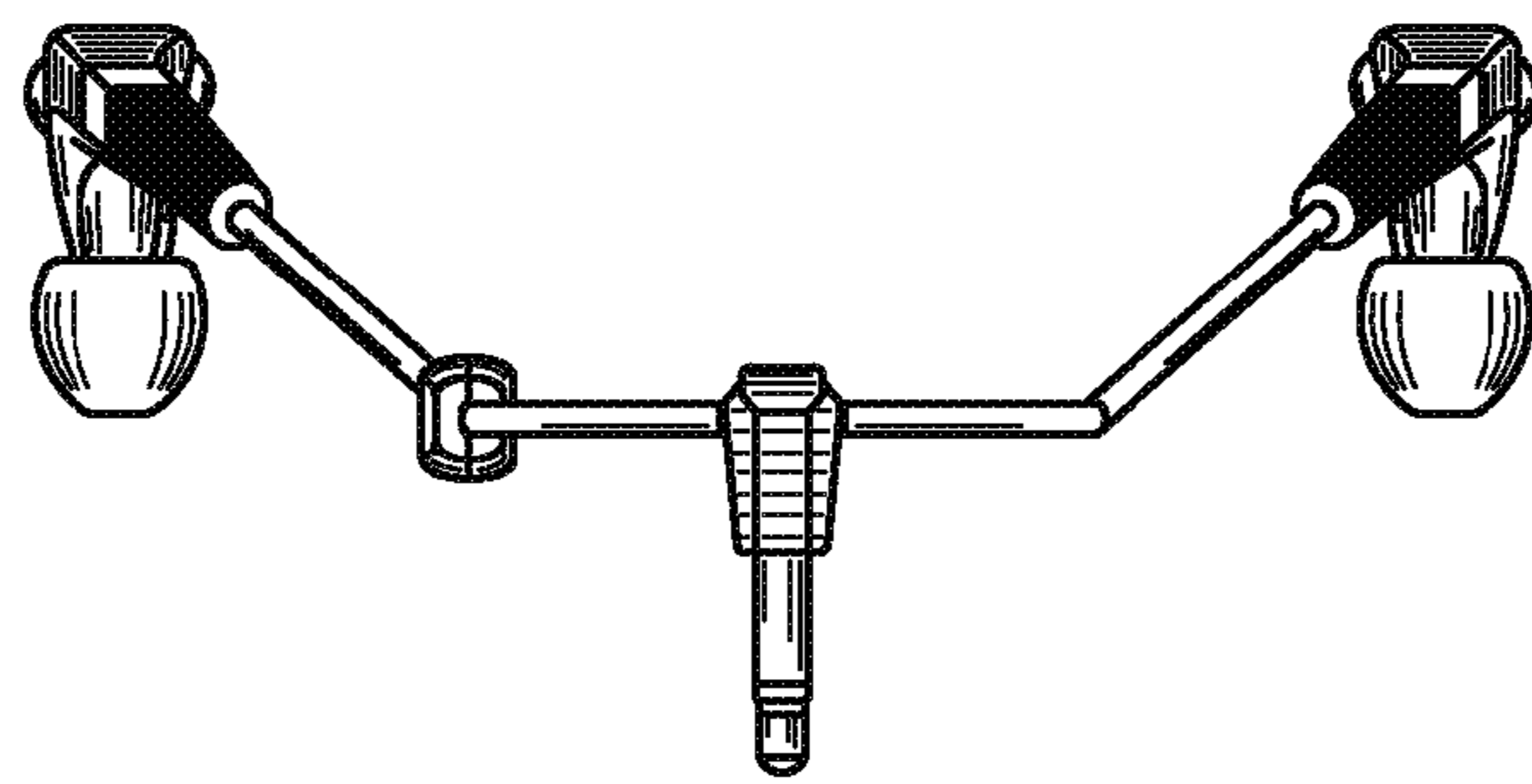


FIG.6

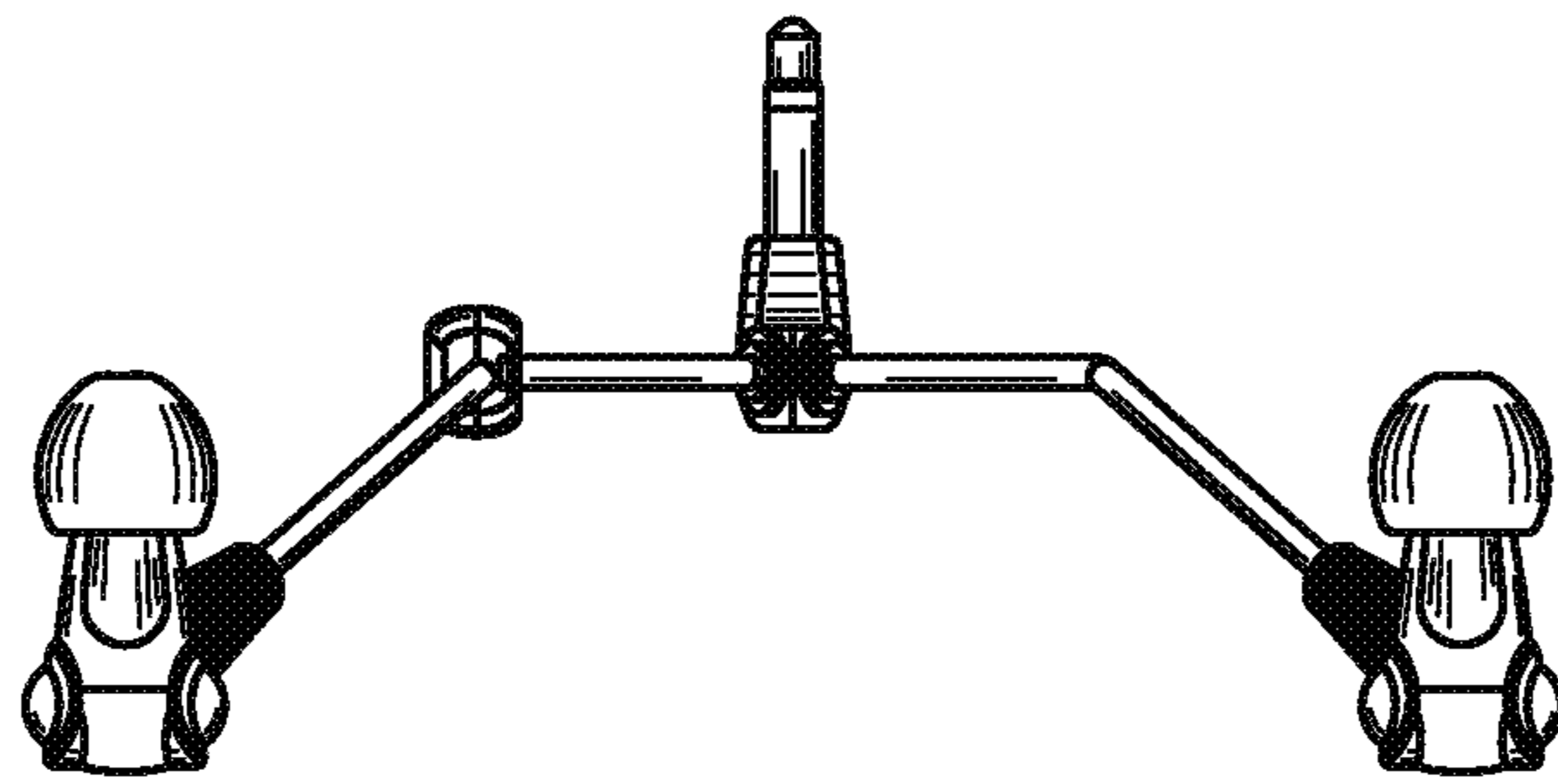


FIG. 7