



US00D692404S

(12) **United States Design Patent**  
**Zuege**

(10) **Patent No.:** **US D692,404 S**  
(45) **Date of Patent:** **\*\* Oct. 29, 2013**

(54) **VIDEO DISPLAY**

(71) Applicant: **Funai Electric Co., Ltd.**, Osaka (JP)

(72) Inventor: **Bradford Zuege**, Daito (JP)

(73) Assignee: **Funai Electric Co., Ltd.**, Osaka (JP)

(\*\*) Term: **14 Years**

(21) Appl. No.: **29/441,531**

(22) Filed: **Jan. 7, 2013**

(30) **Foreign Application Priority Data**

Aug. 28, 2012 (JP) ..... 2012-020653

(51) **LOC (9) Cl.** ..... **14-03**

(52) **U.S. Cl.**  
USPC ..... **D14/126**

(58) **Field of Classification Search**

USPC ..... D14/125-134, 239, 371, 136, 374-377,  
D14/440, 450, 448, 336, 342, 159; 312/7.2;  
348/836, 838, 180, 184, 325, 739;  
341/12; 248/917-924, 465; 345/104,  
345/133, 156, 168, 87, 173; 720/605, 669,  
720/600, 655; 369/99, 197; D21/329, 515,  
D21/577, 622, 333, 433, 448, 452, 450,  
D21/331; D6/477, 479, 300-310;  
273/148 B; 446/484, 175, 356; D10/15,  
D10/26

See application file for complete search history.

(56) **References Cited**

U.S. PATENT DOCUMENTS

D566,070	S	*	4/2008	Takami et al.	.....	D14/126
D597,043	S	*	7/2009	Honda et al.	.....	D14/126
D624,891	S	*	10/2010	Ohba et al.	.....	D14/126
D624,892	S	*	10/2010	Inoue et al.	.....	D14/126
D625,696	S	*	10/2010	Takami	.....	D14/126
D626,524	S	*	11/2010	Takami	.....	D14/126
D627,319	S	*	11/2010	Takami et al.	.....	D14/126
D654,446	S	*	2/2012	Choi et al.	.....	D14/126

\* cited by examiner

*Primary Examiner* — Raphael Barkai

(74) *Attorney, Agent, or Firm* — Sughrue Mion, PLLC

(57) **CLAIM**

The ornamental design for a video display, as shown and described.

**DESCRIPTION**

FIG. 1 is a perspective view of the front, top and right side of a video display showing my new design;  
FIG. 2 is a front view thereof;  
FIG. 3 is a rear view thereof;  
FIG. 4 is a left side view thereof;  
FIG. 5 is a right side view thereof;  
FIG. 6 is a top plan view thereof;  
FIG. 7 is a bottom view thereof;  
FIG. 8 is a partially enlarged cross-sectional view taken along line 8-8 shown in FIG. 2, where an internal mechanism of the video display is omitted; and,  
FIG. 9 is a partially enlarged cross-sectional view taken along line 9-9 shown in FIG. 2, where the internal mechanism of the video display is omitted.  
The portions of the article in broken lines are shown for illustrative purposes only and form no part of the claimed design.

**1 Claim, 4 Drawing Sheets**

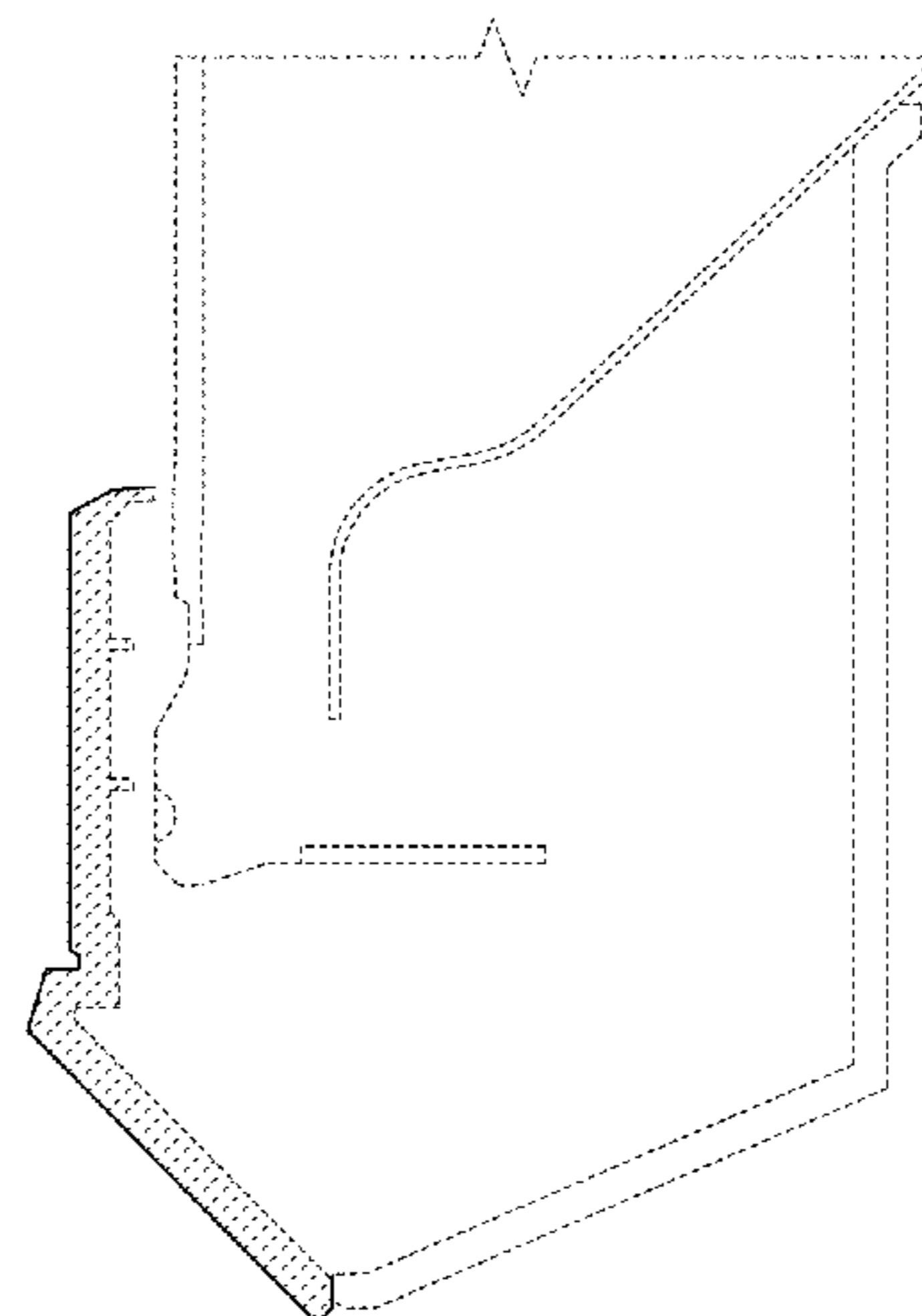
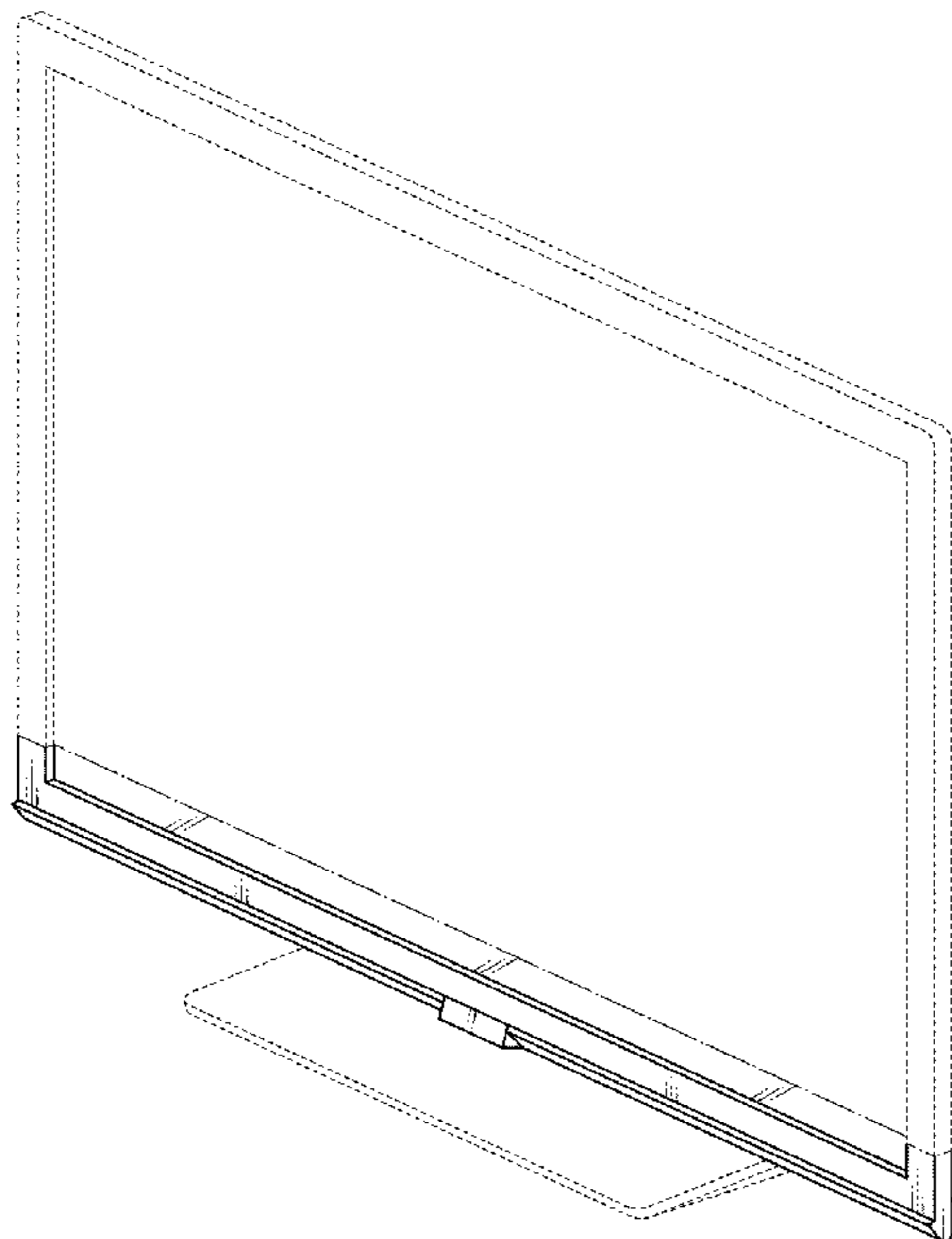


Fig. 1

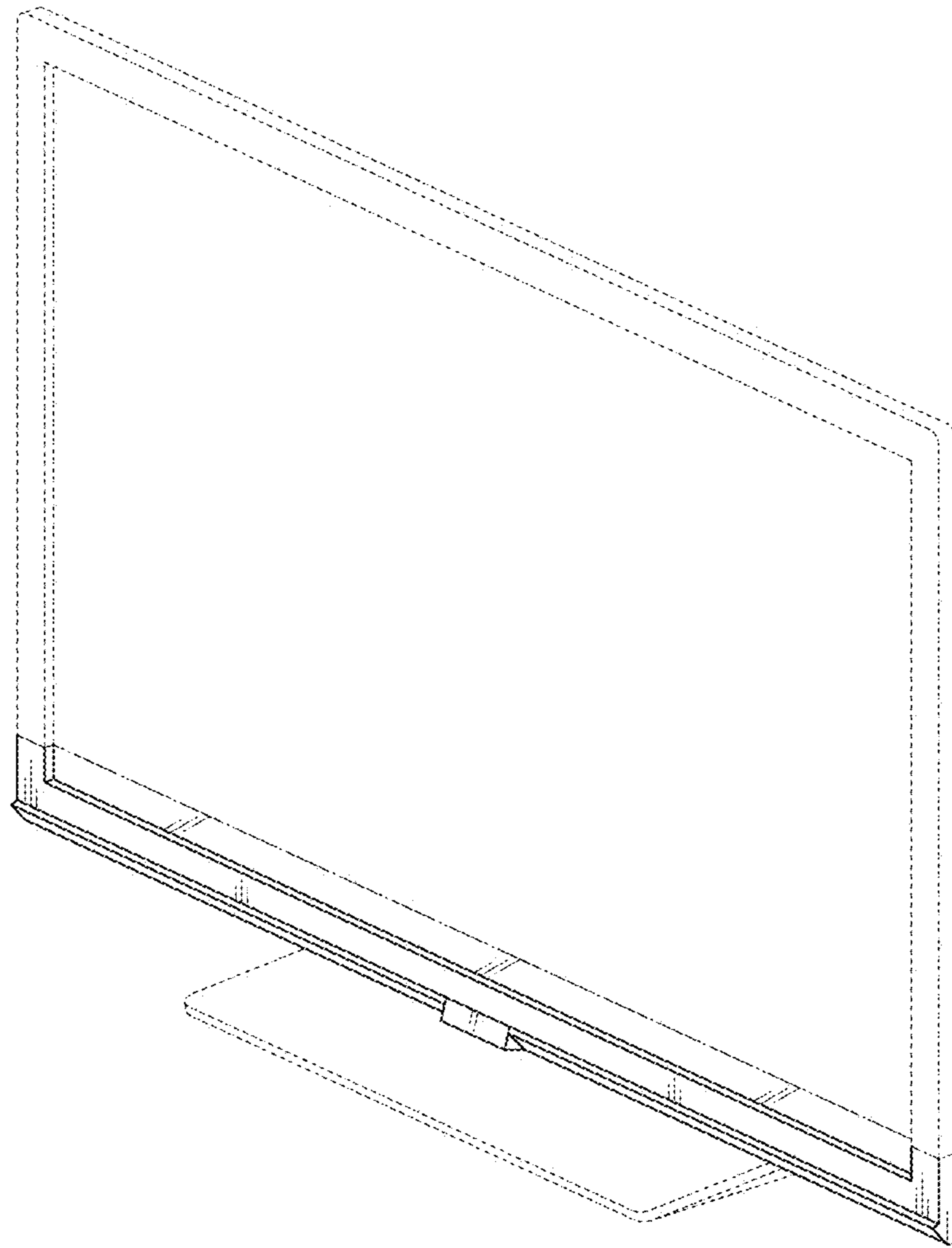


Fig. 2

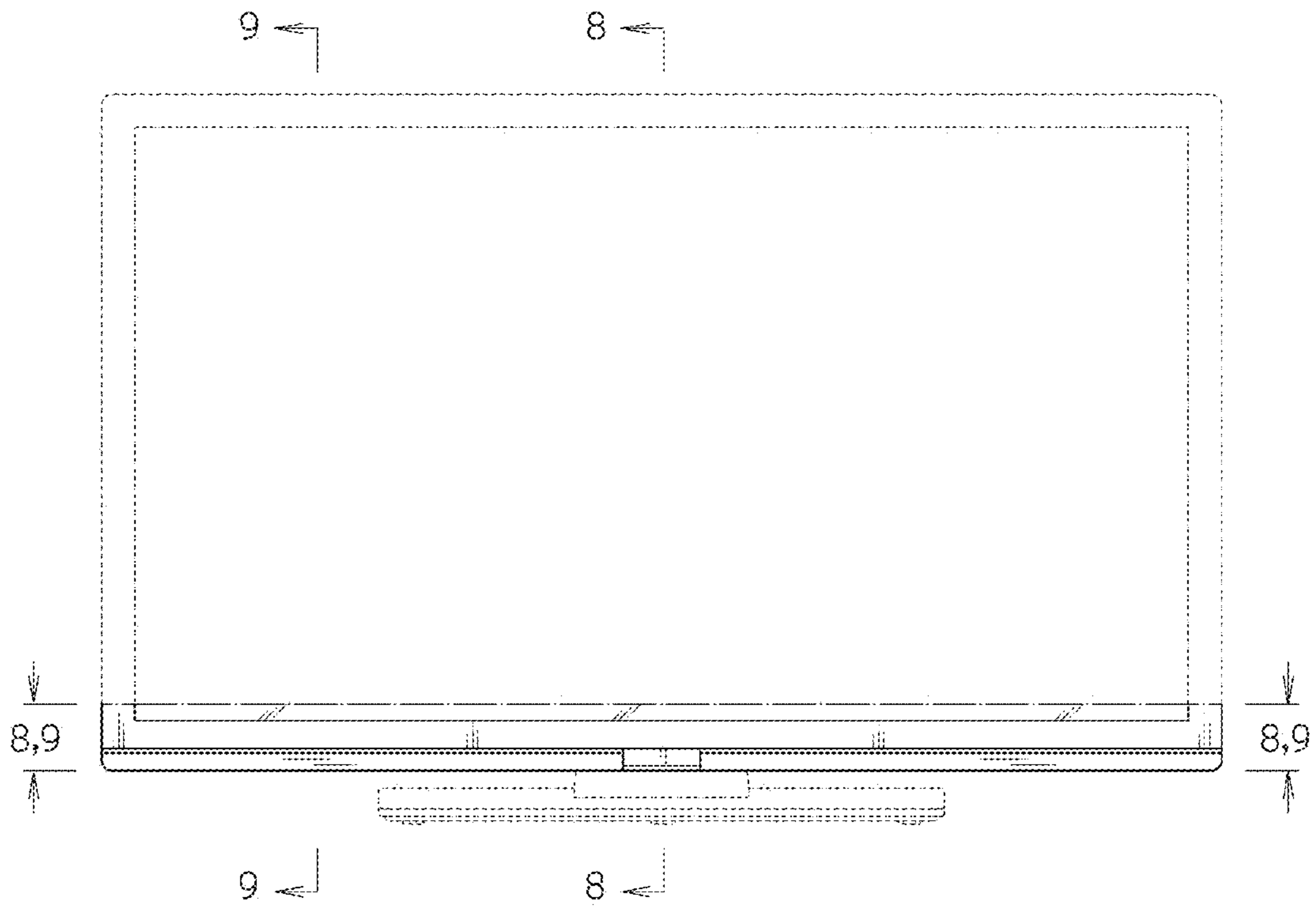


Fig. 3

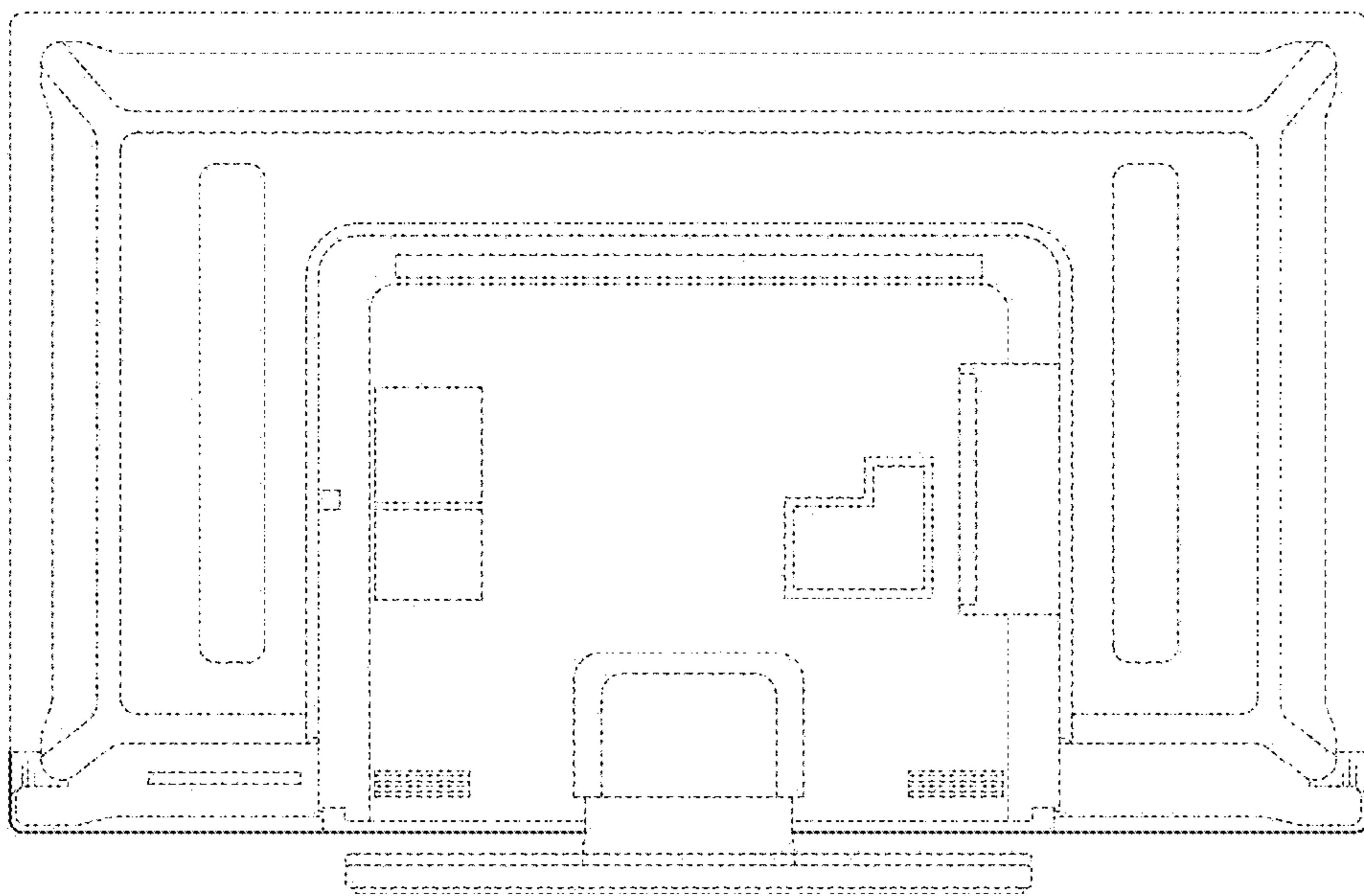


Fig. 4

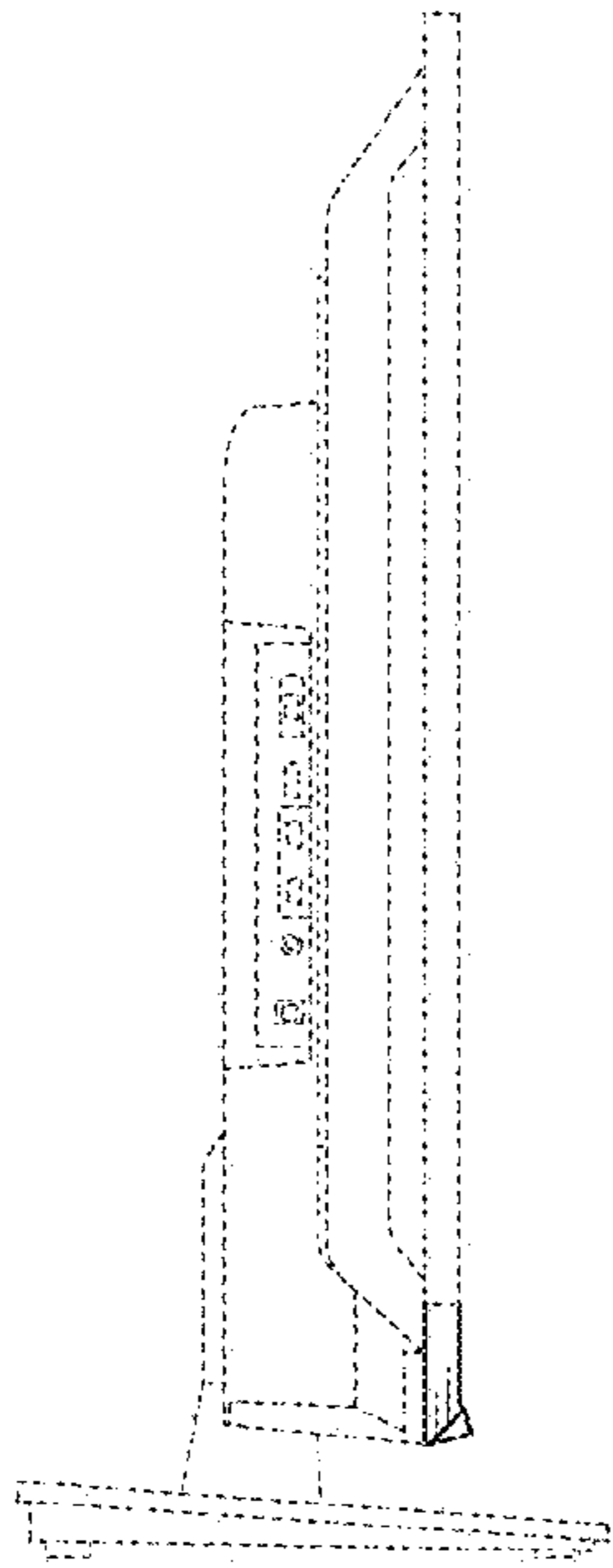


Fig. 5

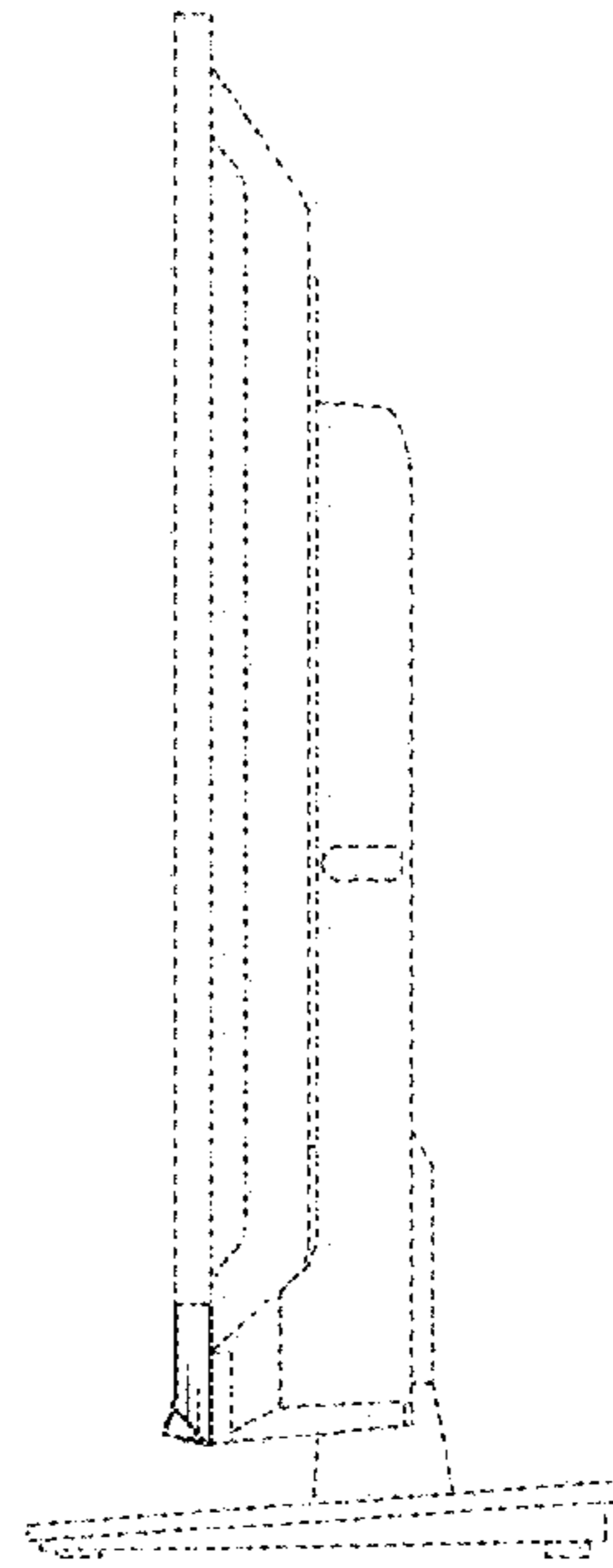


Fig. 6

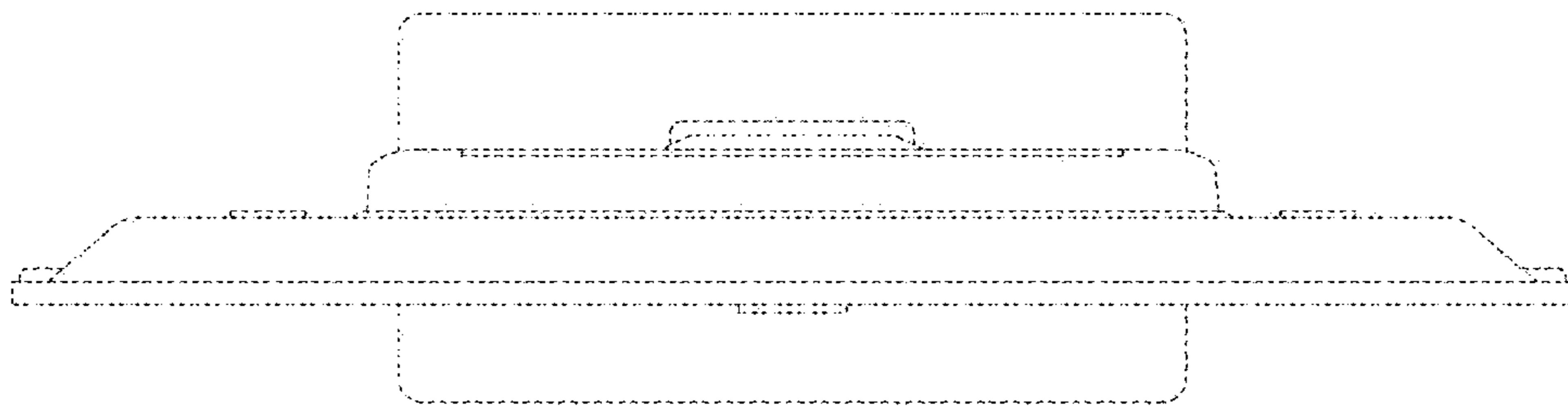


Fig. 7

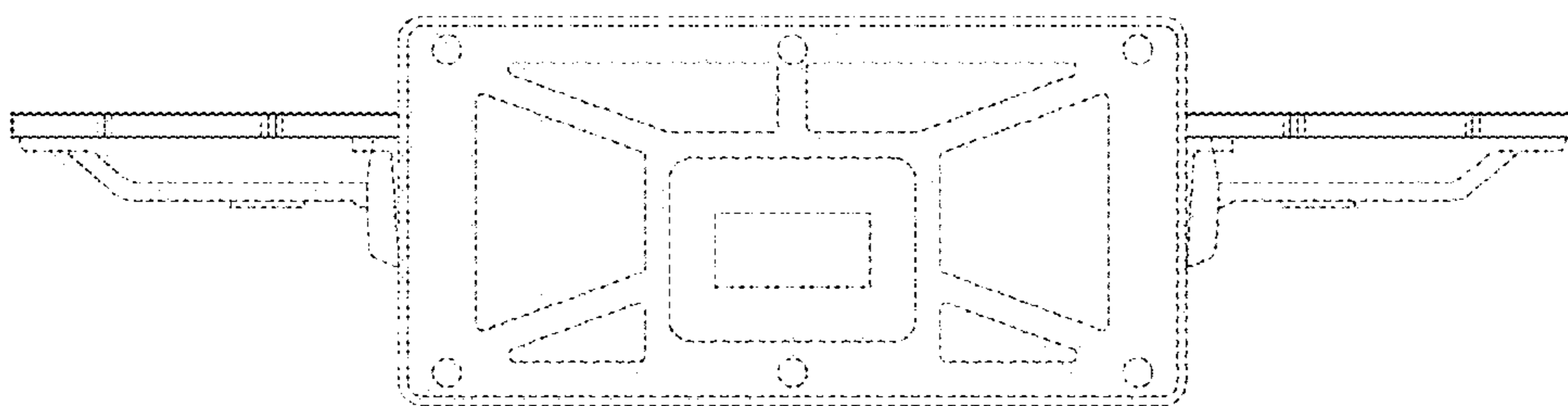


Fig. 8

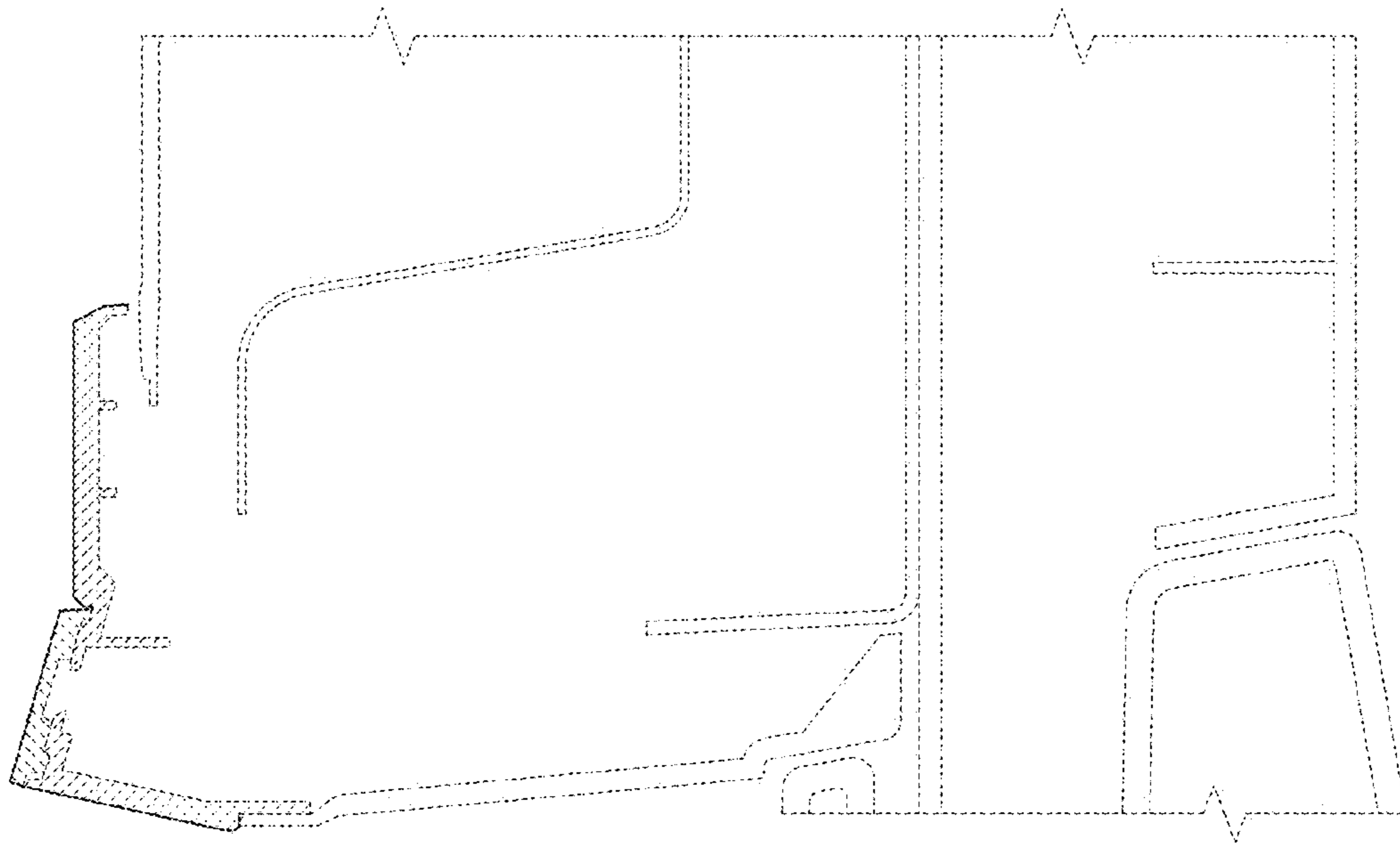


Fig. 9

