

US00D692403S

(12) **United States Design Patent**
Takami et al.

(10) **Patent No.:** **US D692,403 S**

(45) **Date of Patent:** **** Oct. 29, 2013**

(54) **TELEVISION APPARATUS**

(71) Applicant: **Panasonic Corporation**, Osaka (JP)

(72) Inventors: **Mitsuru Takami**, Osaka (JP);
Katsuyoshi Uchiyama, Osaka (JP)

(73) Assignee: **Panasonic Corporation**, Osaka (JP)

(**) Term: **14 Years**

(21) Appl. No.: **29/440,223**

(22) Filed: **Dec. 20, 2012**

(51) **LOC (9) Cl.** **14-03**

(52) **U.S. Cl.**
USPC **D14/126**

(58) **Field of Classification Search**
USPC D14/125–134, 239, 371, 136, 374–377,
D14/440, 450, 448, 336, 342, 159; 312/7.2;
348/836, 838, 180, 184, 325, 739;
341/12; 248/917–924, 465; 345/104,
345/133, 156, 168, 87, 173; 720/605, 669,
720/600, 655; 369/99, 197; D21/329, 515,
D21/577, 622, 333, 433, 448, 452, 450,
D21/331; D6/477, 479, 300–310;
273/148 B; 446/484, 175, 356; D10/15,
D10/26

See application file for complete search history.

(56) **References Cited**

U.S. PATENT DOCUMENTS

D646,246	S	*	10/2011	Kim et al.	D14/126
D658,613	S	*	5/2012	Lee et al.	D14/126
D663,705	S	*	7/2012	Park et al.	D14/126
D676,816	S	*	2/2013	Kim et al.	D14/126
D680,981	S	*	4/2013	Kim et al.	D14/126
D682,231	S	*	5/2013	Lee et al.	D14/126

FOREIGN PATENT DOCUMENTS

JP D1436266 3/2012

* cited by examiner

Primary Examiner — Raphael Barkai

(74) *Attorney, Agent, or Firm* — Panasonic Patent Center

(57) **CLAIM**

We claim the ornamental design for a television apparatus, as shown and described.

DESCRIPTION

FIG. 1 is a front perspective view of a television apparatus of the present invention;
FIG. 2 is a front view thereof;
FIG. 3 is a rear view thereof;
FIG. 4 is a first side view thereof;
FIG. 5 is a second side view thereof;
FIG. 6 is a top view thereof;
FIG. 7 is a bottom view thereof;
FIG. 8 is a sectional view taken along the line 8-8 of FIG. 2;
FIG. 9 is an enlarged view of portion of FIG. 1 thereof; and,
FIG. 10 is an enlarged view of portion of FIG. 1 thereof.

1 Claim, 10 Drawing Sheets

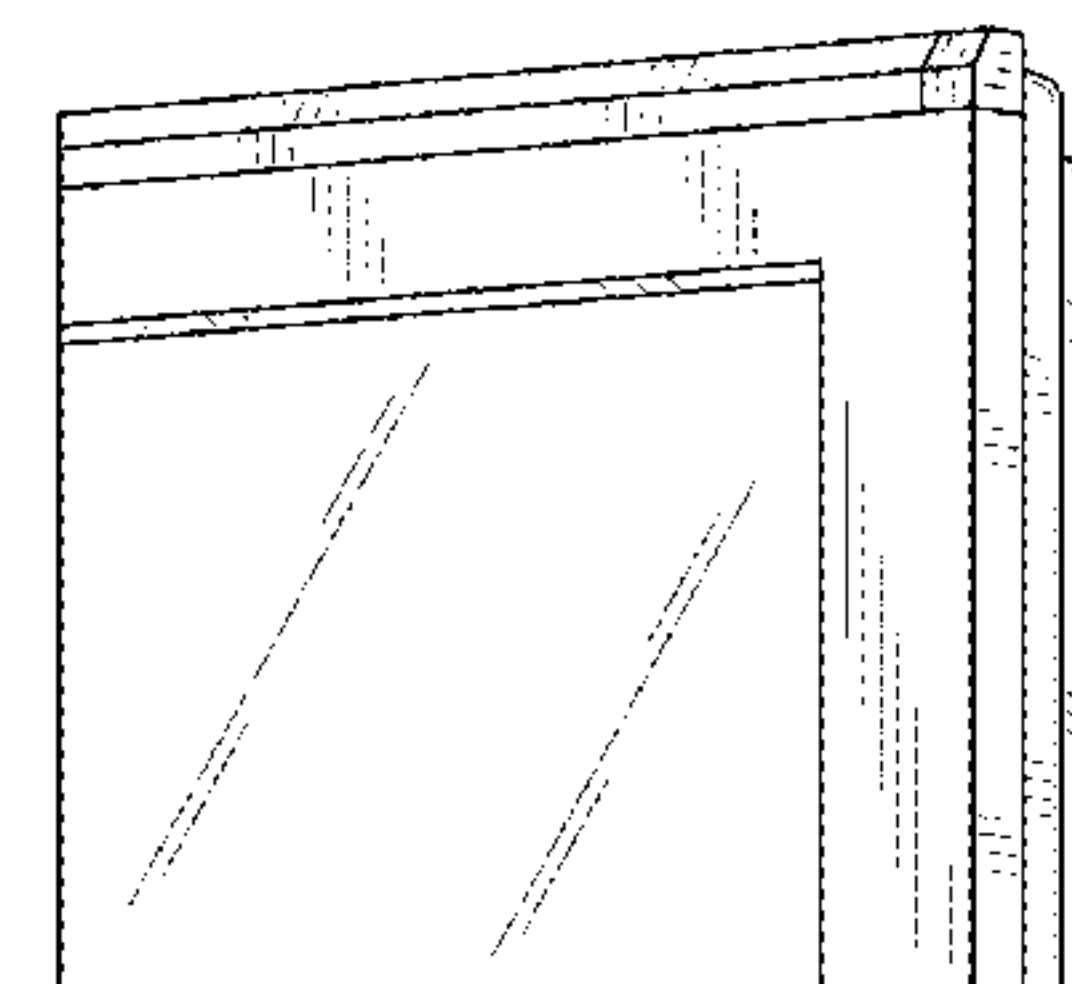
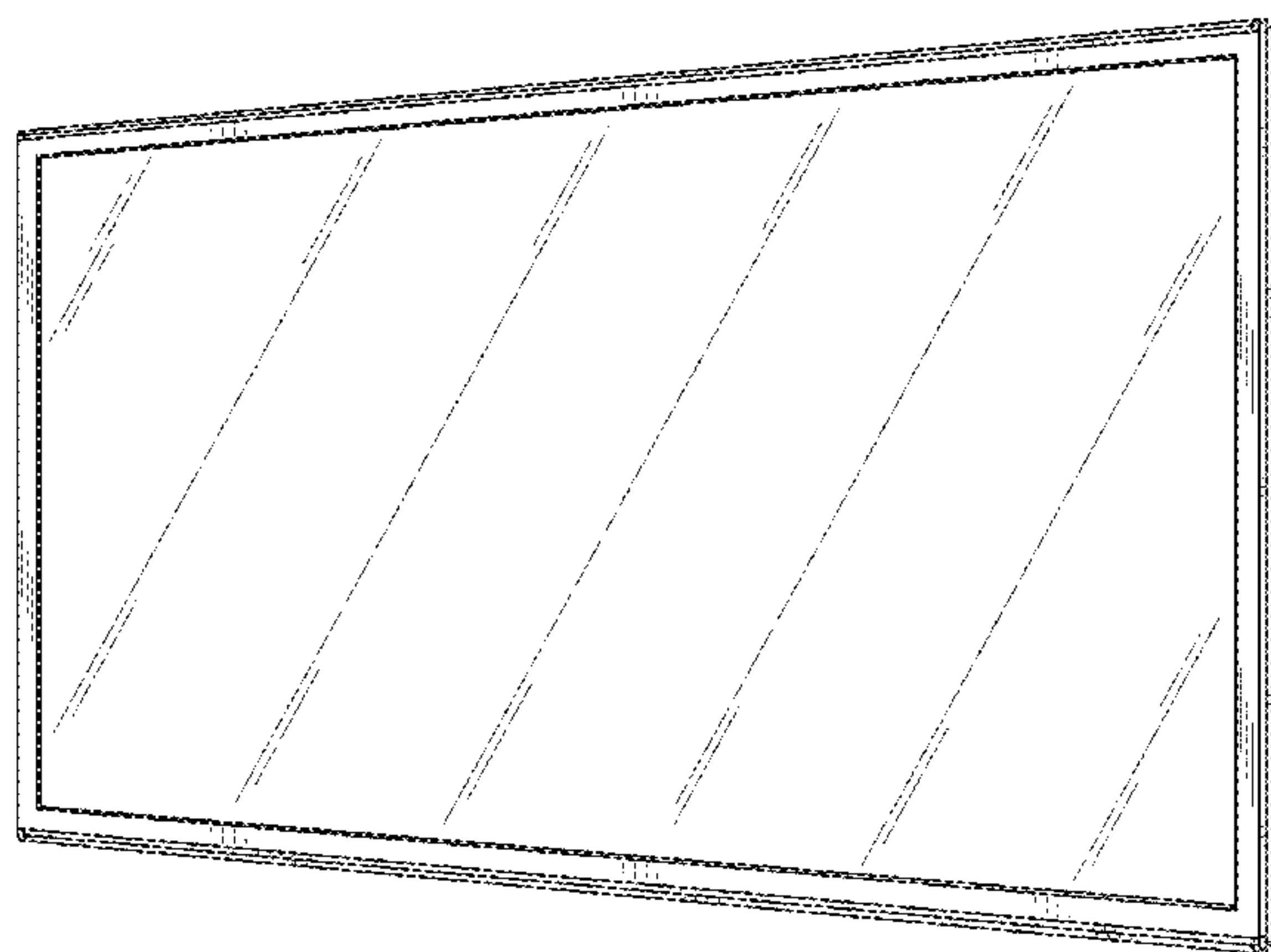


FIG. 1

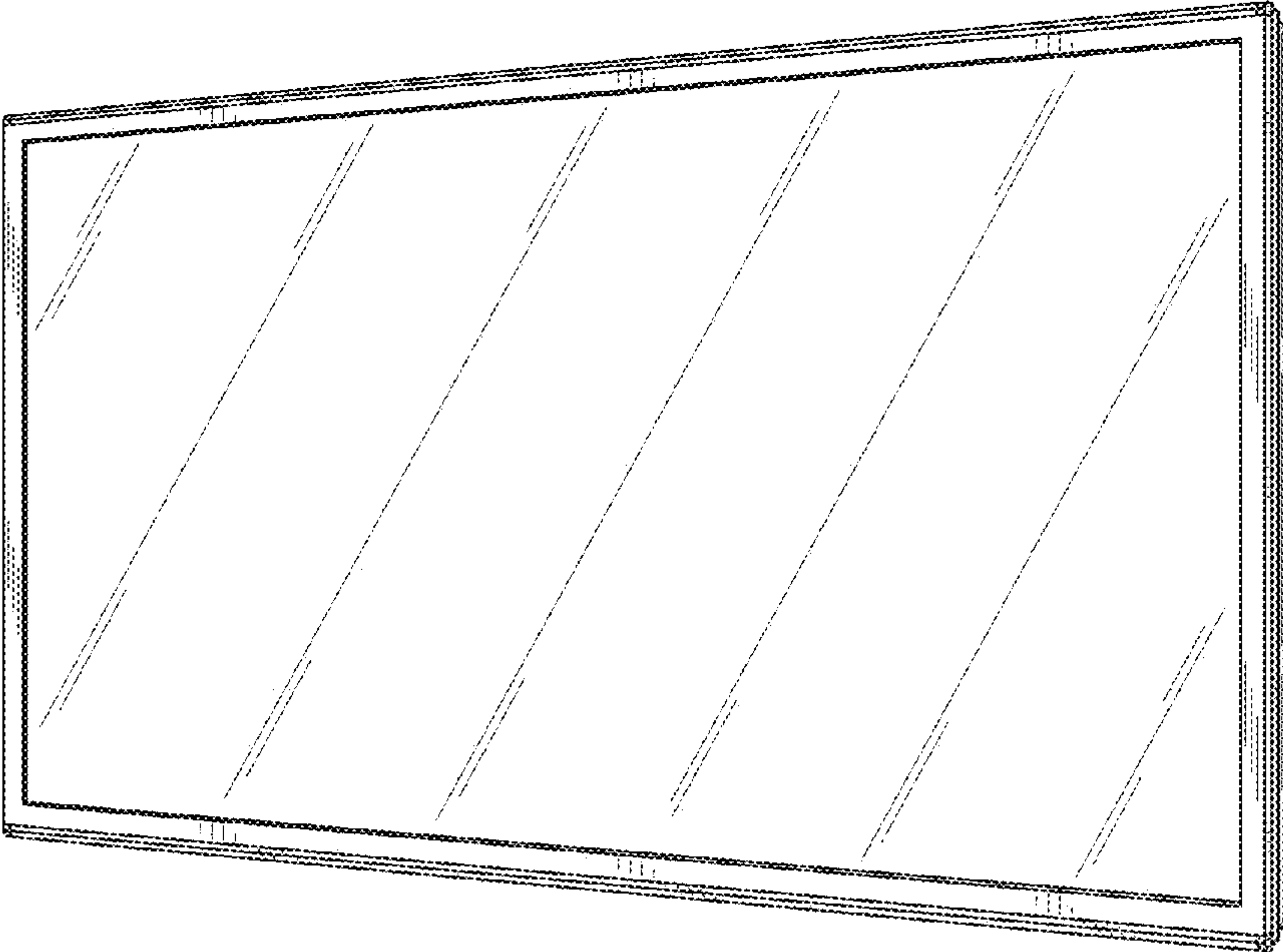
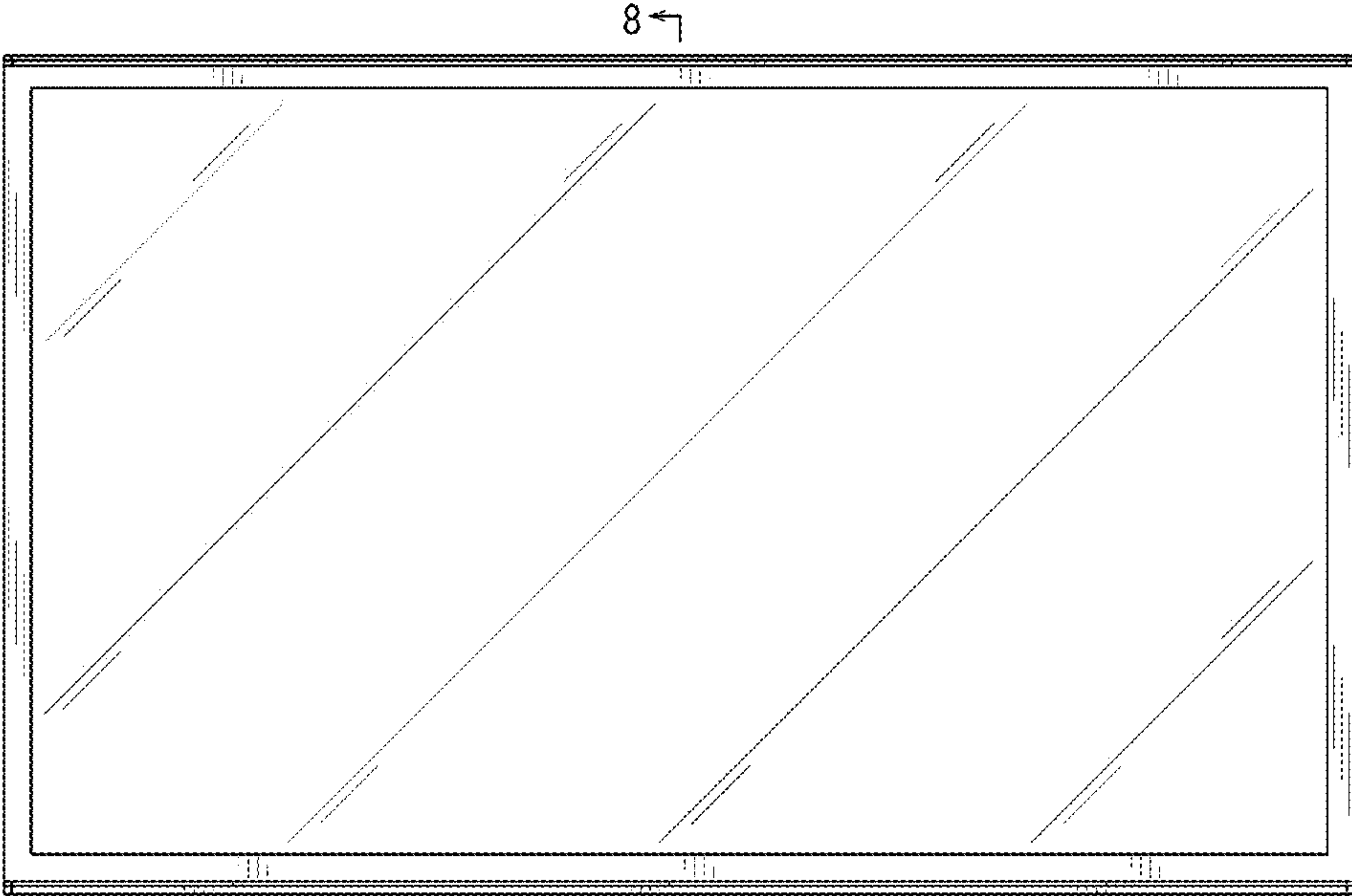


FIG. 2



8 ←

FIG. 3

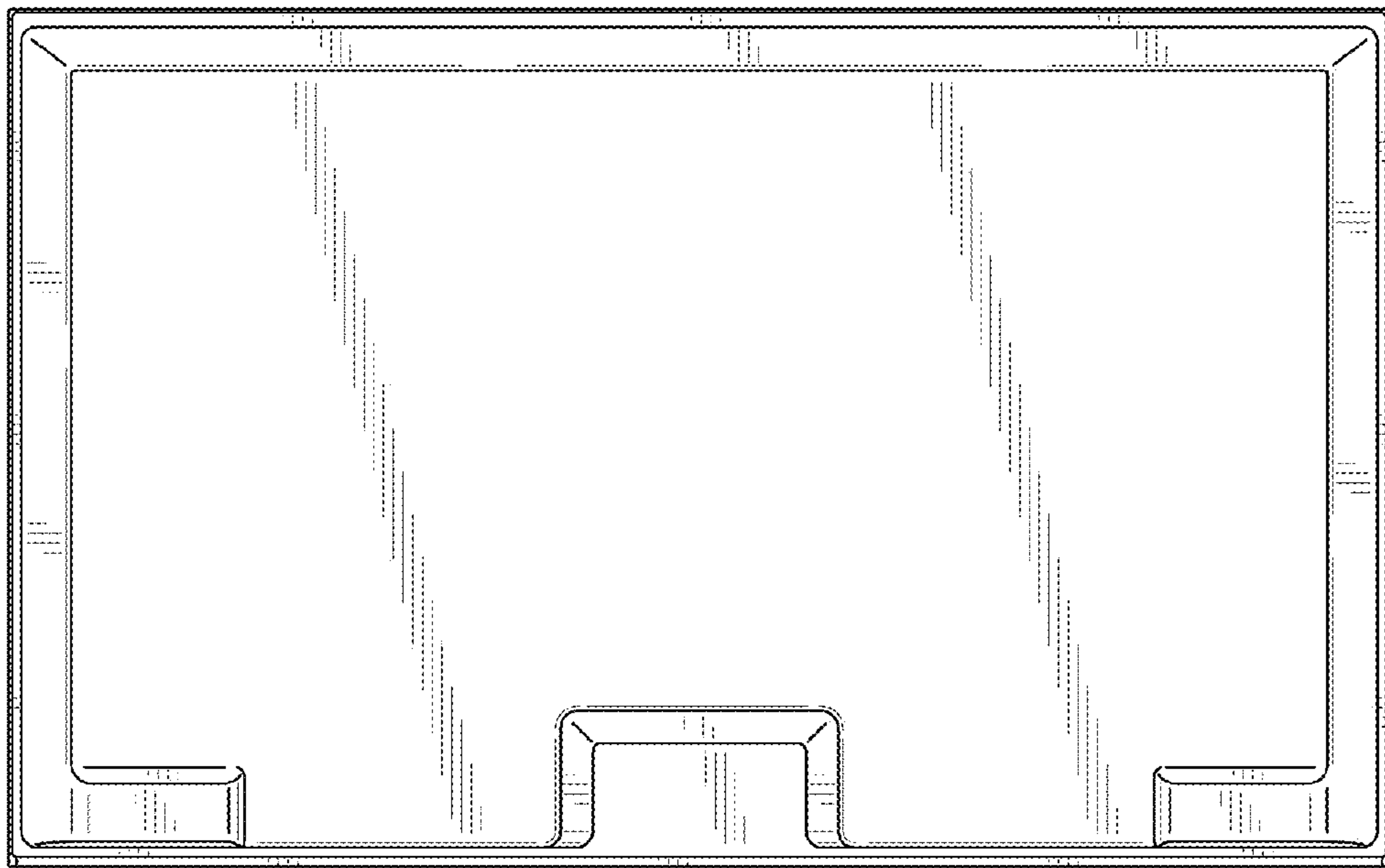


FIG. 4

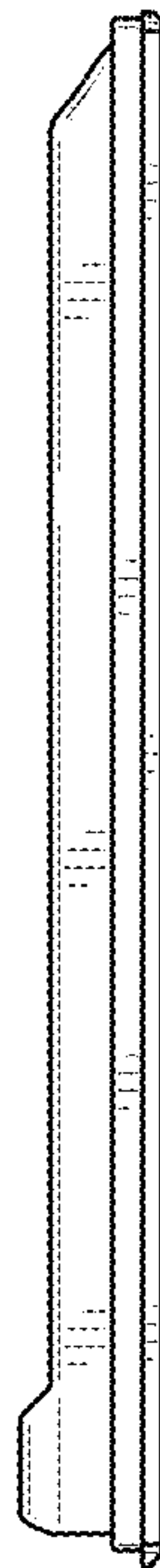


FIG. 5

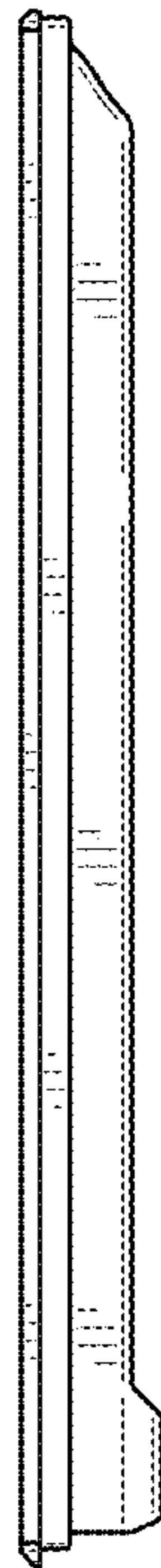


FIG. 6

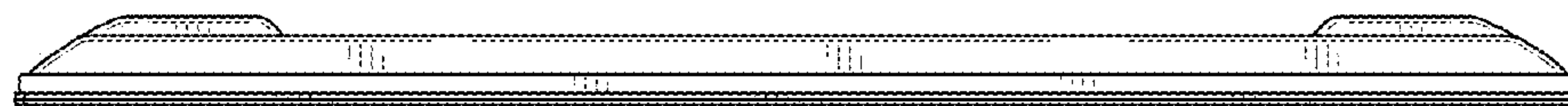


FIG. 7



FIG. 8

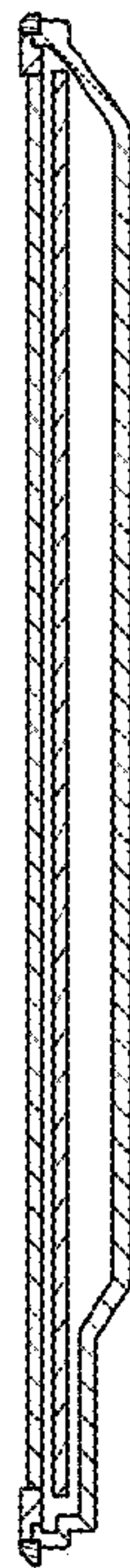


FIG. 9

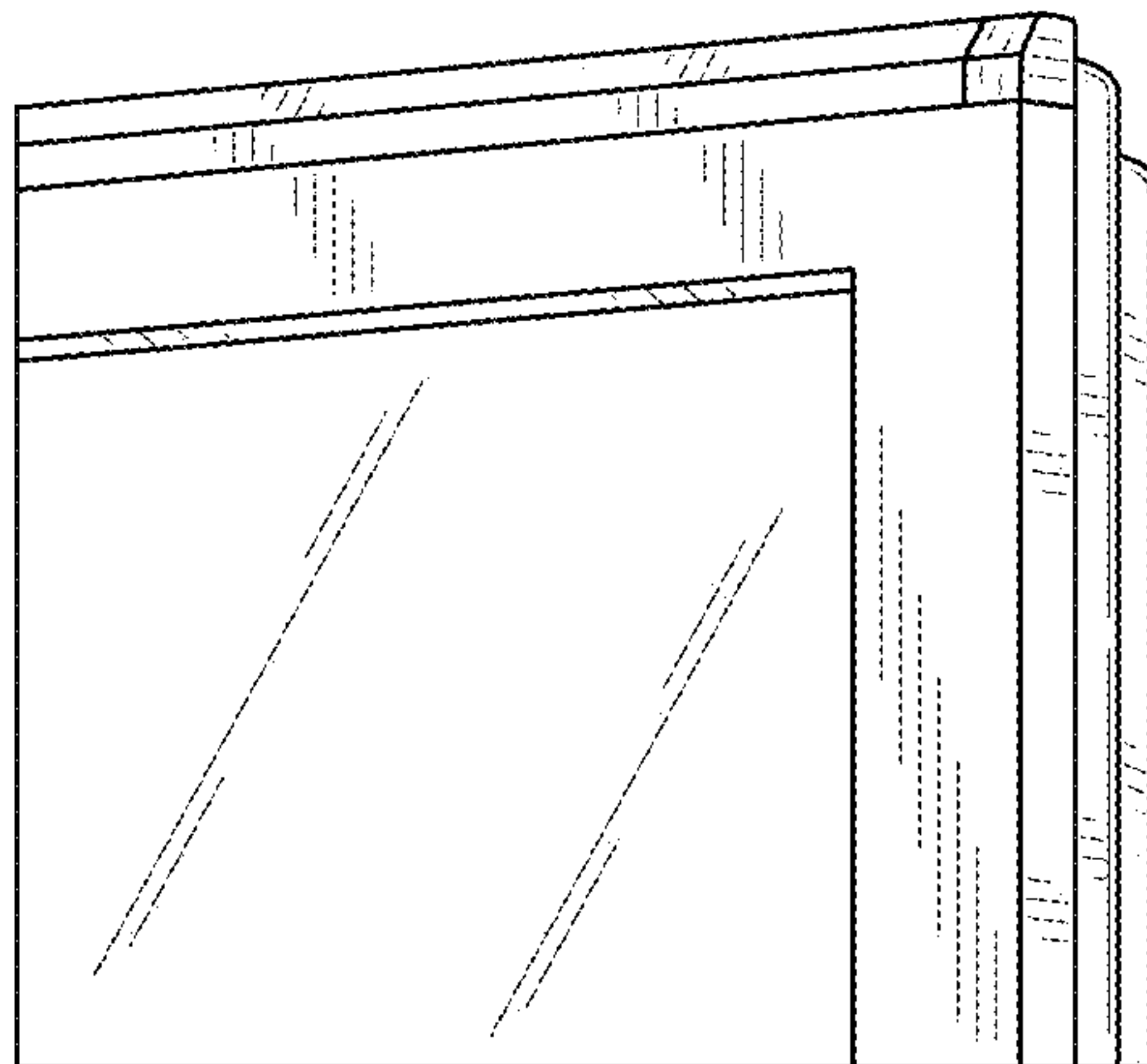


FIG. 10

