

US00D692402S

(12) **United States Design Patent**
Dalton et al.

(10) **Patent No.:** **US D692,402 S**

(45) **Date of Patent:** **** Oct. 29, 2013**

(54) **PLASMA TORCH ELECTRODE**

(75) Inventors: **Ethan Dalton**, New London, NH (US);
Mark McClay, Charlestown, NH (US)

(73) Assignee: **Hypertherm, Inc.**, Hanover, NH (US)

(**) Term: **14 Years**

(21) Appl. No.: **29/415,273**

(22) Filed: **Mar. 8, 2012**

(51) **LOC (9) Cl.** **13-03**

(52) **U.S. Cl.**
USPC **D13/182**

(58) **Field of Classification Search**
USPC D13/182, 133; D8/387, 393; D15/144,
D15/144.1, 144.2; 239/690, 690.1, 697,
239/698; 219/69.15, 84, 88, 121.36,
219/121.52, 121.53, 119

See application file for complete search history.

(56) **References Cited**

U.S. PATENT DOCUMENTS

4,902,871	A	2/1990	Sanders et al.	
5,083,005	A *	1/1992	Degrigny	219/121.52
5,097,111	A *	3/1992	Severance, Jr.	219/121.52
5,105,061	A *	4/1992	Blankenship	219/121.52
5,601,734	A *	2/1997	Luo et al.	219/121.52
6,020,572	A *	2/2000	Marner et al.	219/121.52
6,114,650	A *	9/2000	Marner et al.	219/121.52
6,130,399	A *	10/2000	Lu et al.	219/121.59
6,177,647	B1 *	1/2001	Zapletal	219/121.52
6,329,627	B1 *	12/2001	Walters	219/121.52
6,403,915	B1	6/2002	Cook et al.	

8,101,882	B2 *	1/2012	Mather et al.	219/121.52
8,115,136	B2 *	2/2012	Mather et al.	219/121.57
8,304,684	B2 *	11/2012	Currier et al.	219/121.48
8,362,387	B2 *	1/2013	Wilson	219/121.5
8,395,070	B2 *	3/2013	Merrill et al.	219/74
8,395,076	B2 *	3/2013	Matus	219/121.5
8,395,077	B2 *	3/2013	Duan et al.	219/121.5
D681,571	S *	5/2013	Omori et al.	D13/182
D681,572	S *	5/2013	Omori et al.	D13/182
2007/0125755	A1 *	6/2007	Mather et al.	219/121.52
2007/0210034	A1 *	9/2007	Mather et al.	219/121.5
2007/0210035	A1 *	9/2007	Twarog et al.	219/121.5
2008/0217305	A1	9/2008	Sanders	

* cited by examiner

Primary Examiner — Elizabeth J Oswecki

(74) *Attorney, Agent, or Firm* — Proskauer Rose LLP

(57) **CLAIM**

The ornamental design for a plasma torch electrode, as shown and described.

DESCRIPTION

FIG. 1 is a perspective view of a plasma torch electrode showing our new design;

FIG. 2 is a bottom view thereof;

FIG. 3 is a top view thereof;

FIG. 4 is a left side view thereof;

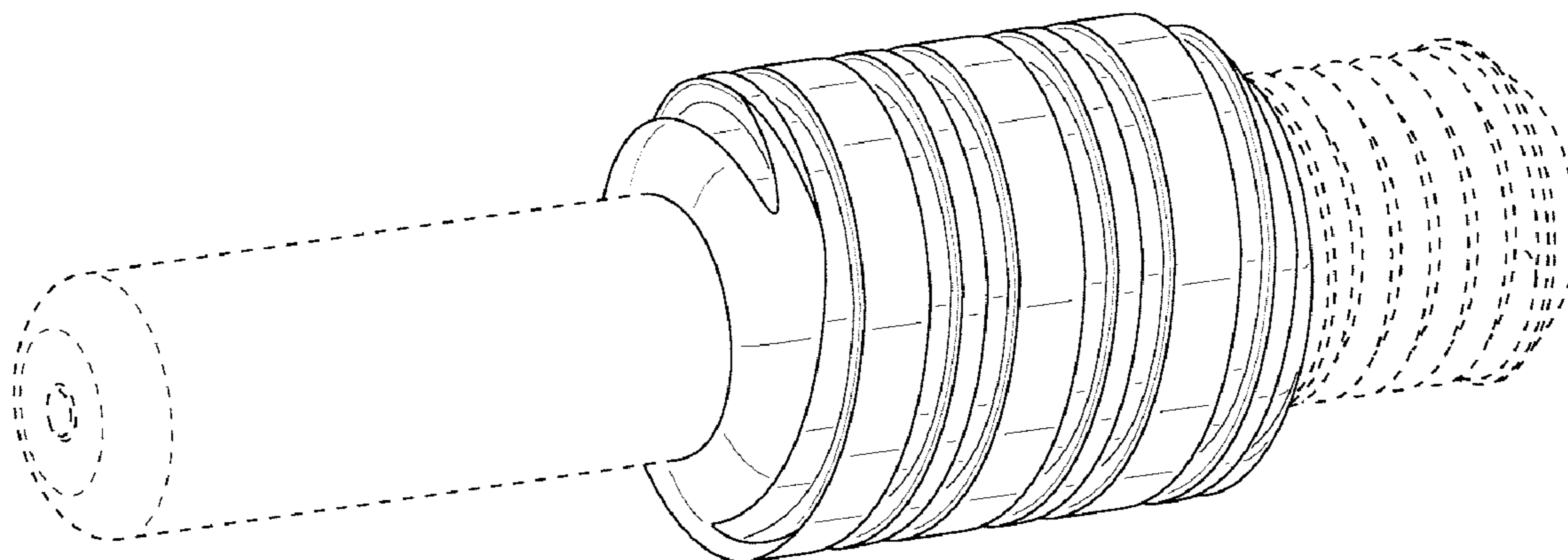
FIG. 5 is a right side view thereof;

FIG. 6 is a front view thereof; and,

FIG. 7 is a back view thereof.

The dotted and/or broken lines depict environmental features, or the character or contour of the surfaces represented and are not a part of the claimed design.

1 Claim, 6 Drawing Sheets



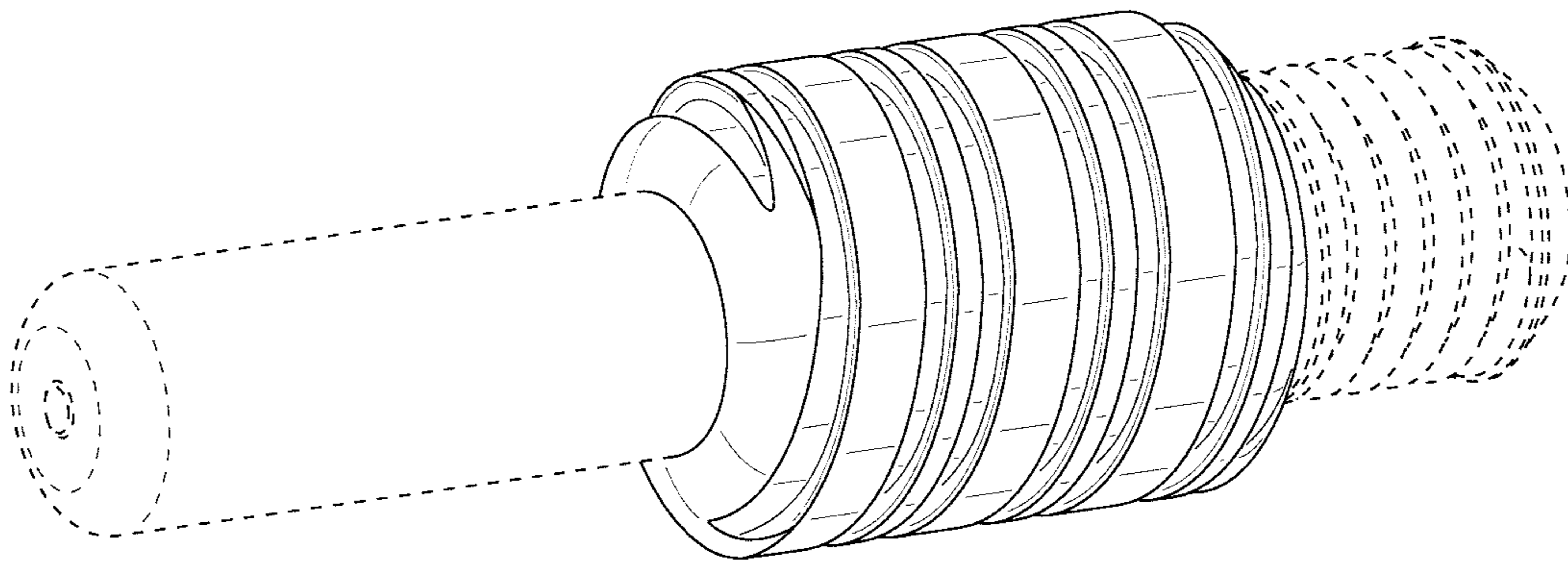


FIG. 1

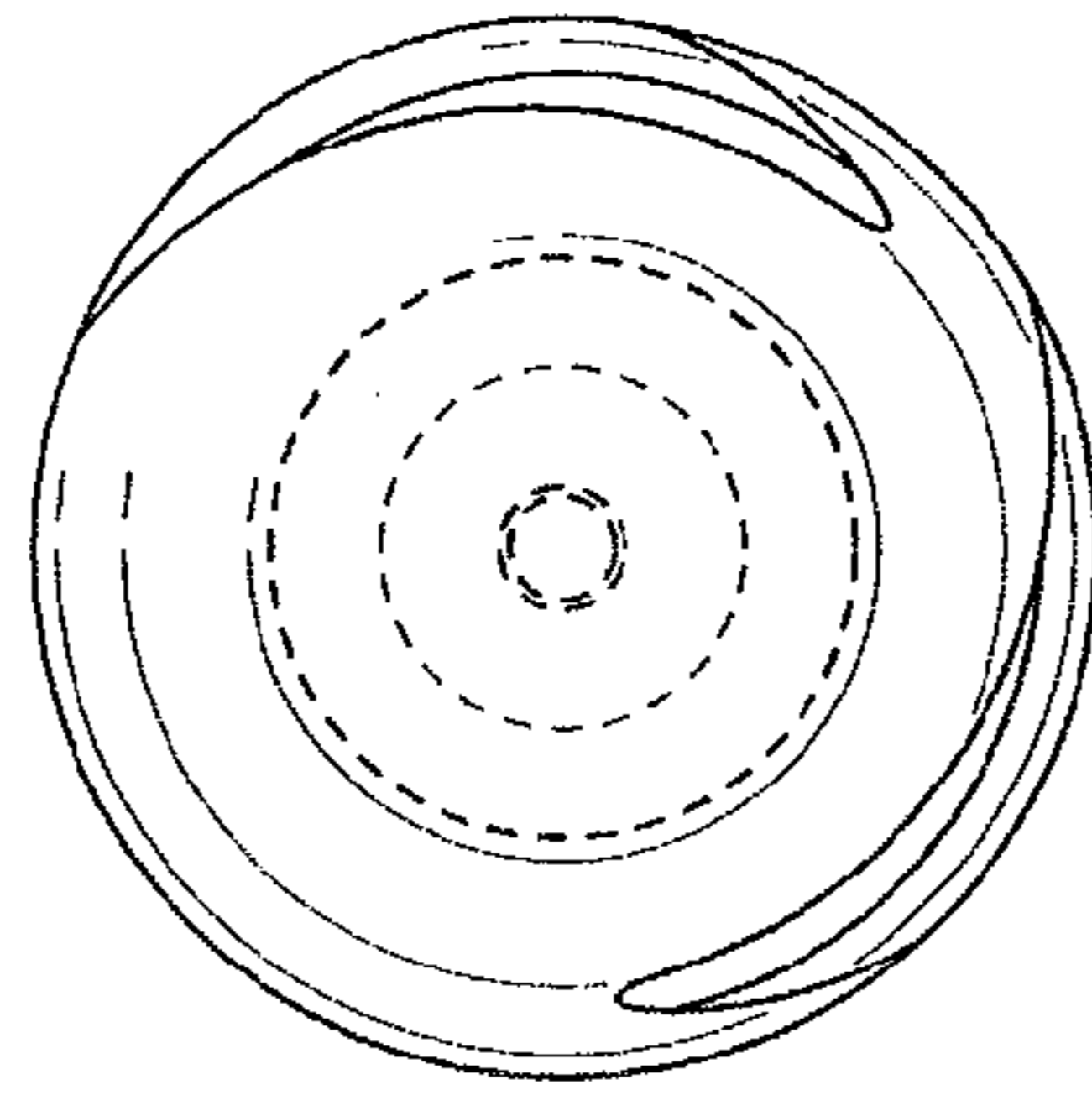


FIG. 2

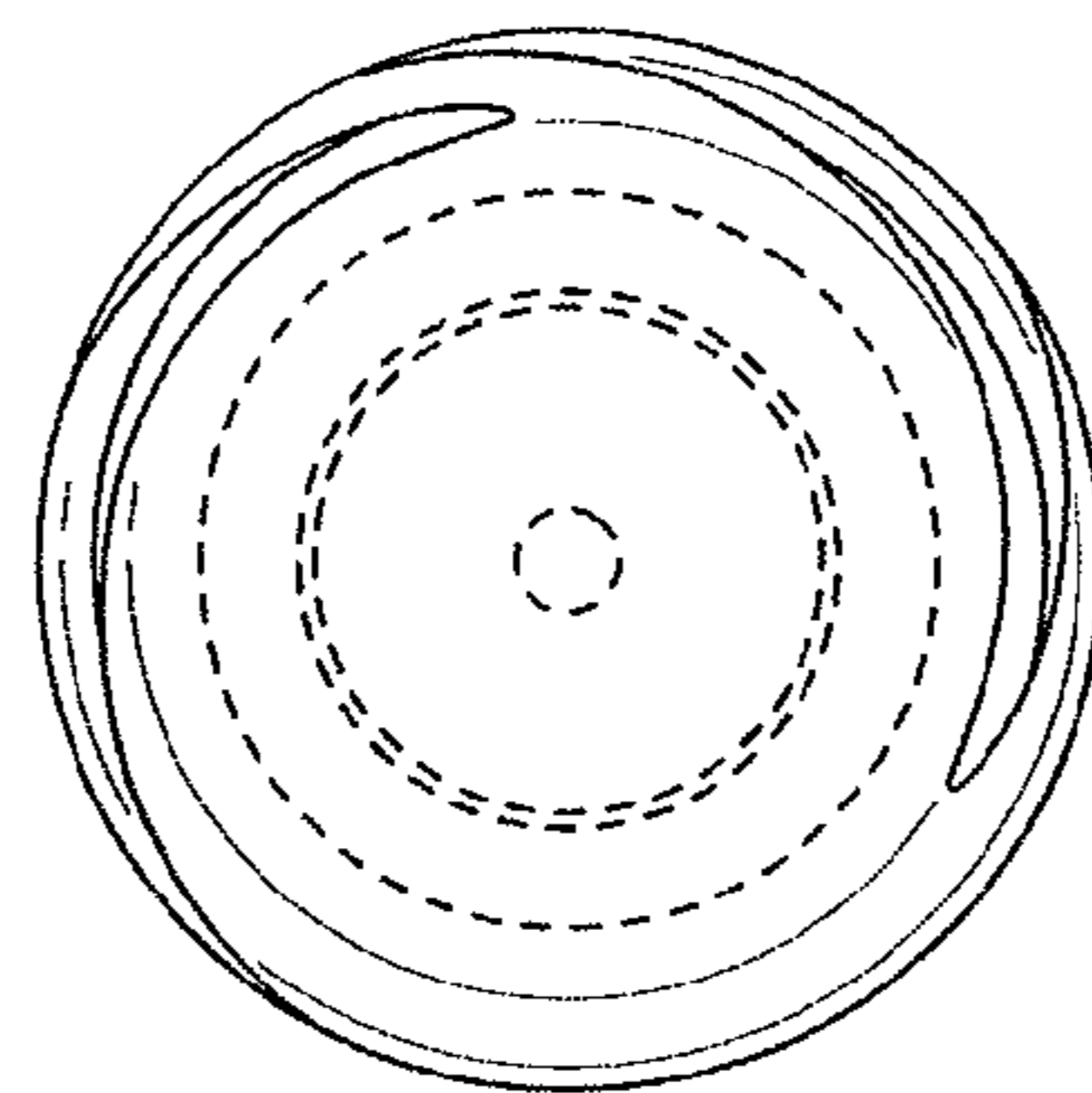


FIG. 3

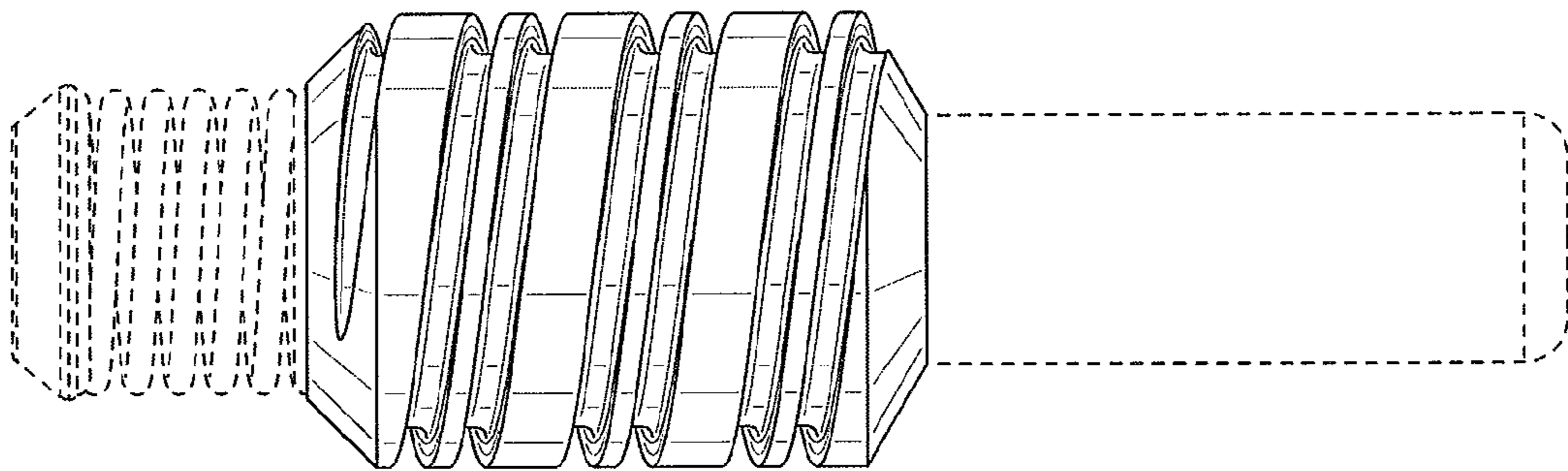


FIG. 4

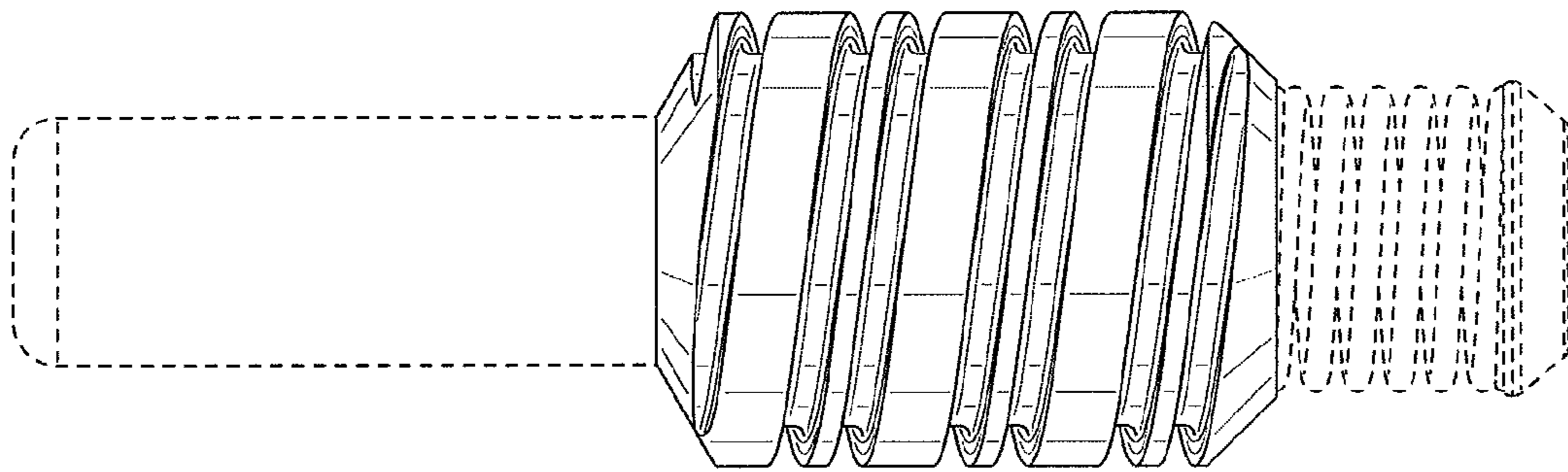


FIG. 5

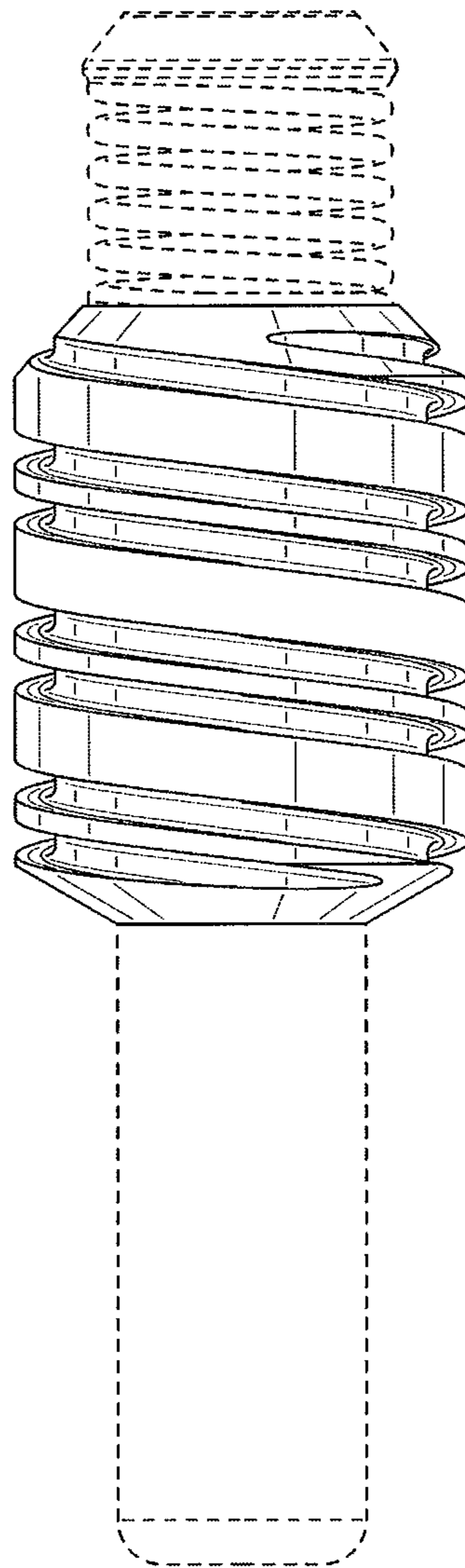


FIG. 6

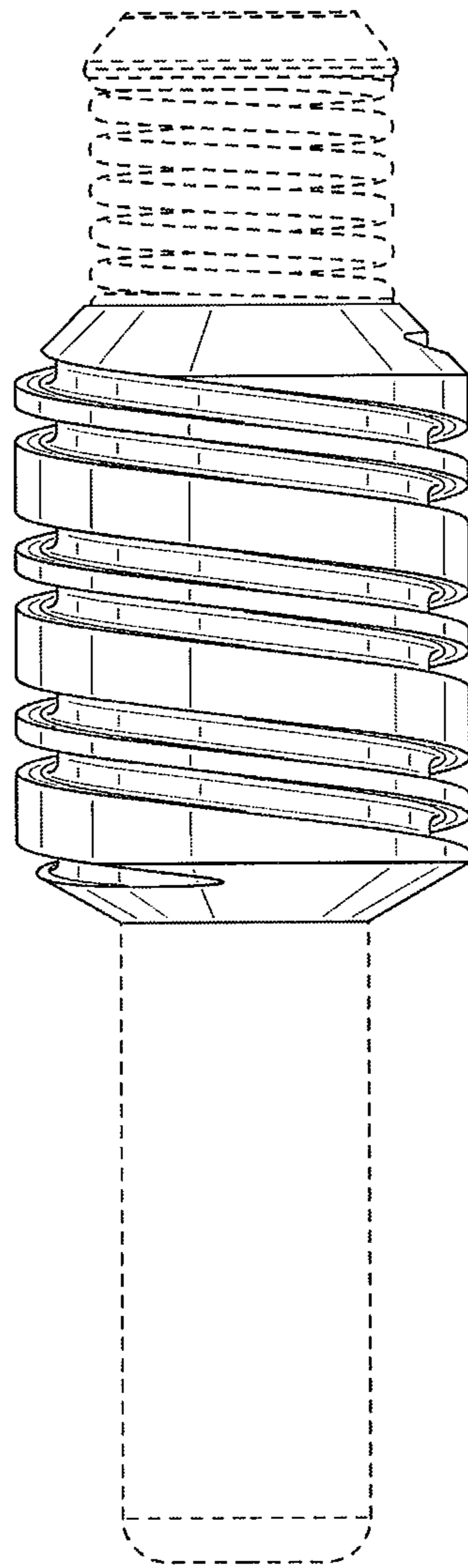


FIG. 7