

US00D692401S

(12) **United States Design Patent**
Li et al.

(10) **Patent No.:** **US D692,401 S**
(45) **Date of Patent:** **** Oct. 29, 2013**

(54) **SWITCH**

(71) Applicants: **Paul Li**, Milwaukee, WI (US); **Marc Beroukas**, Germantown, WI (US)

(72) Inventors: **Paul Li**, Milwaukee, WI (US); **Marc Beroukas**, Germantown, WI (US)

(73) Assignee: **Raffel Systems, LLC**, Germantown, WI (US)

(**) Term: **14 Years**

(21) Appl. No.: **29/445,866**

(22) Filed: **Feb. 18, 2013**

(51) **LOC (9) Cl.** **13-03**

(52) **U.S. Cl.**
USPC **D13/174**

(58) **Field of Classification Search**
USPC D13/167, 171, 174; 307/139, 157;
315/209 R, 224, 246, 291, 294, 295;
200/5 R, 5 A, 302.2, 520, 530, 293, 296,
200/308, 310, 314, 329, 341
See application file for complete search history.

(56) **References Cited**

U.S. PATENT DOCUMENTS

D317,137 S *	5/1991	Kulikowski et al.	D10/108
D421,966 S *	3/2000	Allen et al.	D13/174
6,087,605 A *	7/2000	Heidenfels et al.	200/345
D434,393 S *	11/2000	Gehr	D13/174
D440,947 S *	4/2001	Culberson et al.	D13/171

D463,381 S *	9/2002	Westermann	D13/167
D469,411 S *	1/2003	Decosse	D13/174
D496,336 S *	9/2004	Wang	D13/171
6,800,819 B2 *	10/2004	Sato et al.	200/5 R
D550,298 S *	9/2007	Luciano et al.	D21/385
D550,304 S *	9/2007	Luciano et al.	D21/385
D556,268 S *	11/2007	Luciano et al.	D21/385
7,378,605 B2 *	5/2008	Lo	200/5 R
8,071,899 B2 *	12/2011	Lo	200/296
D685,333 S *	7/2013	Beroukas et al.	D13/174
2011/0108403 A1 *	5/2011	Kukita	200/341

* cited by examiner

Primary Examiner — Selina Sikder

(74) *Attorney, Agent, or Firm* — Casimir Jones S.C.; Tyler J. Sisk

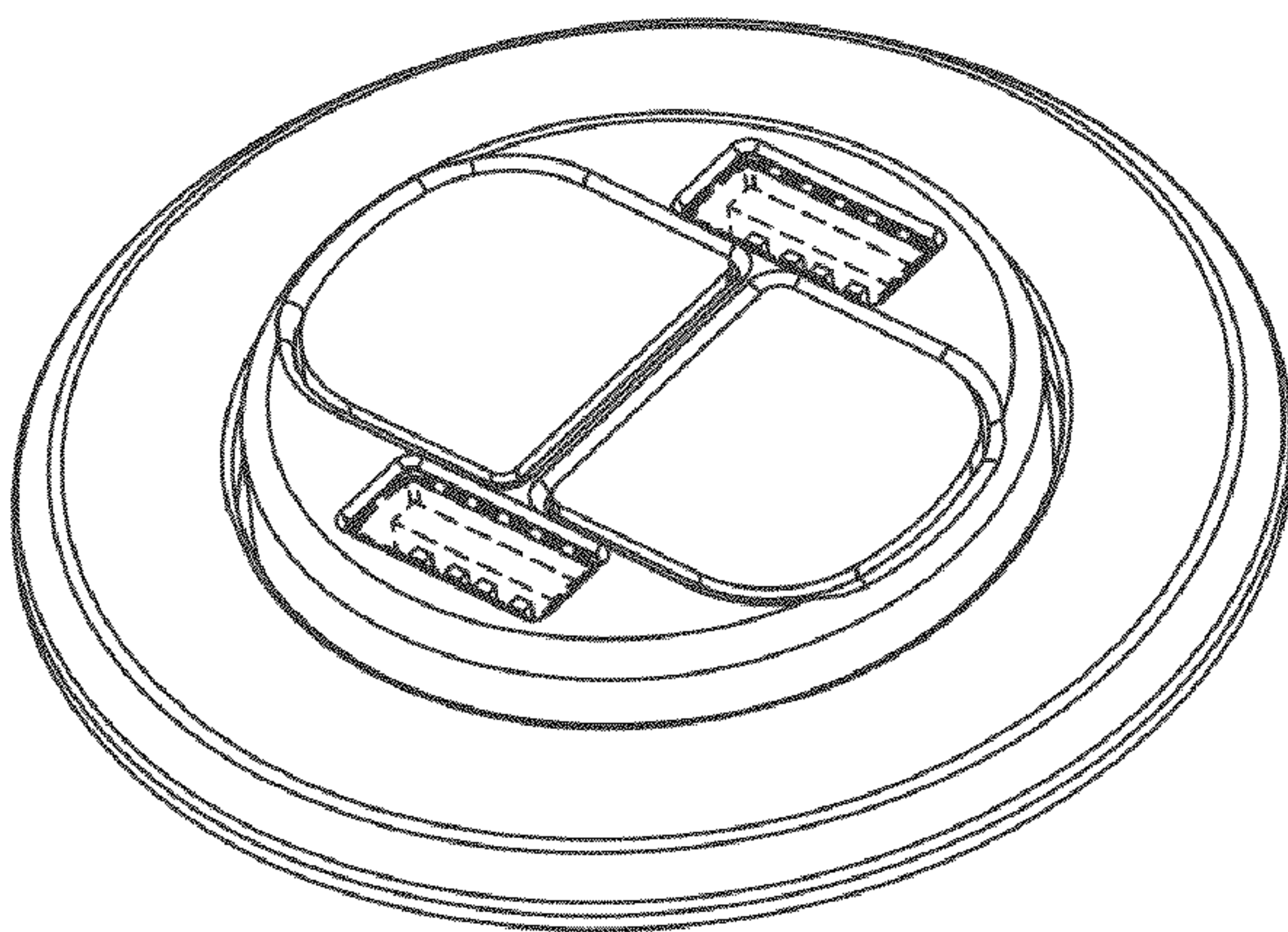
(57) **CLAIM**

The ornamental design for a switch, as shown and described.

DESCRIPTION

FIG. 1 is a top perspective view showing our new design; FIG. 2 is a top plan view thereof; FIG. 3 is a bottom plan view thereof; FIG. 4 is a front elevational view thereof, the front and rear elevational views being identical; and, FIG. 5 is a left side elevational view thereof, the left side and right side elevational views being identical. The broken lines in the drawings depict unclaimed environmental subject matter and forms no part of the claimed design.

1 Claim, 1 Drawing Sheet



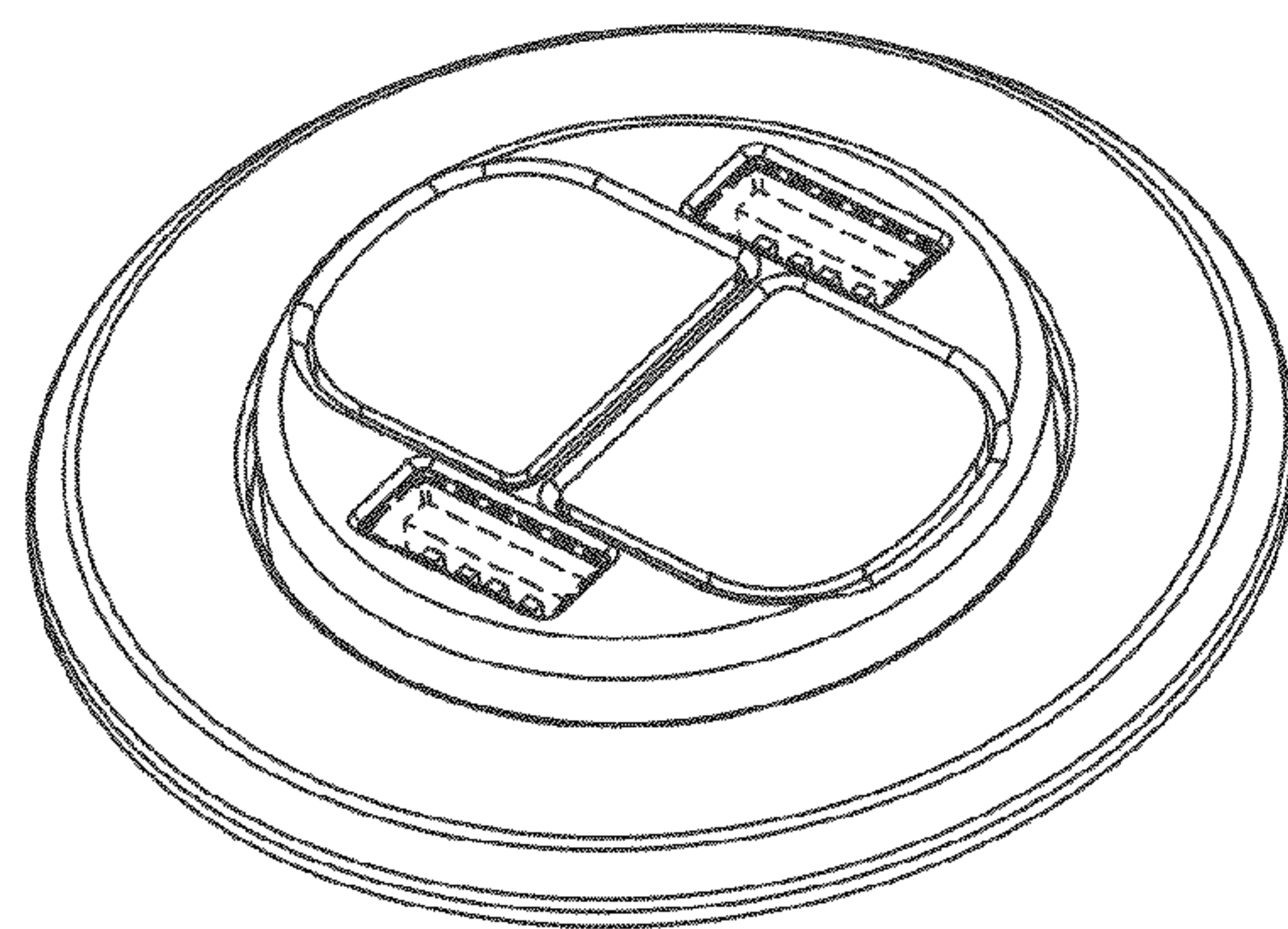


FIG. 1

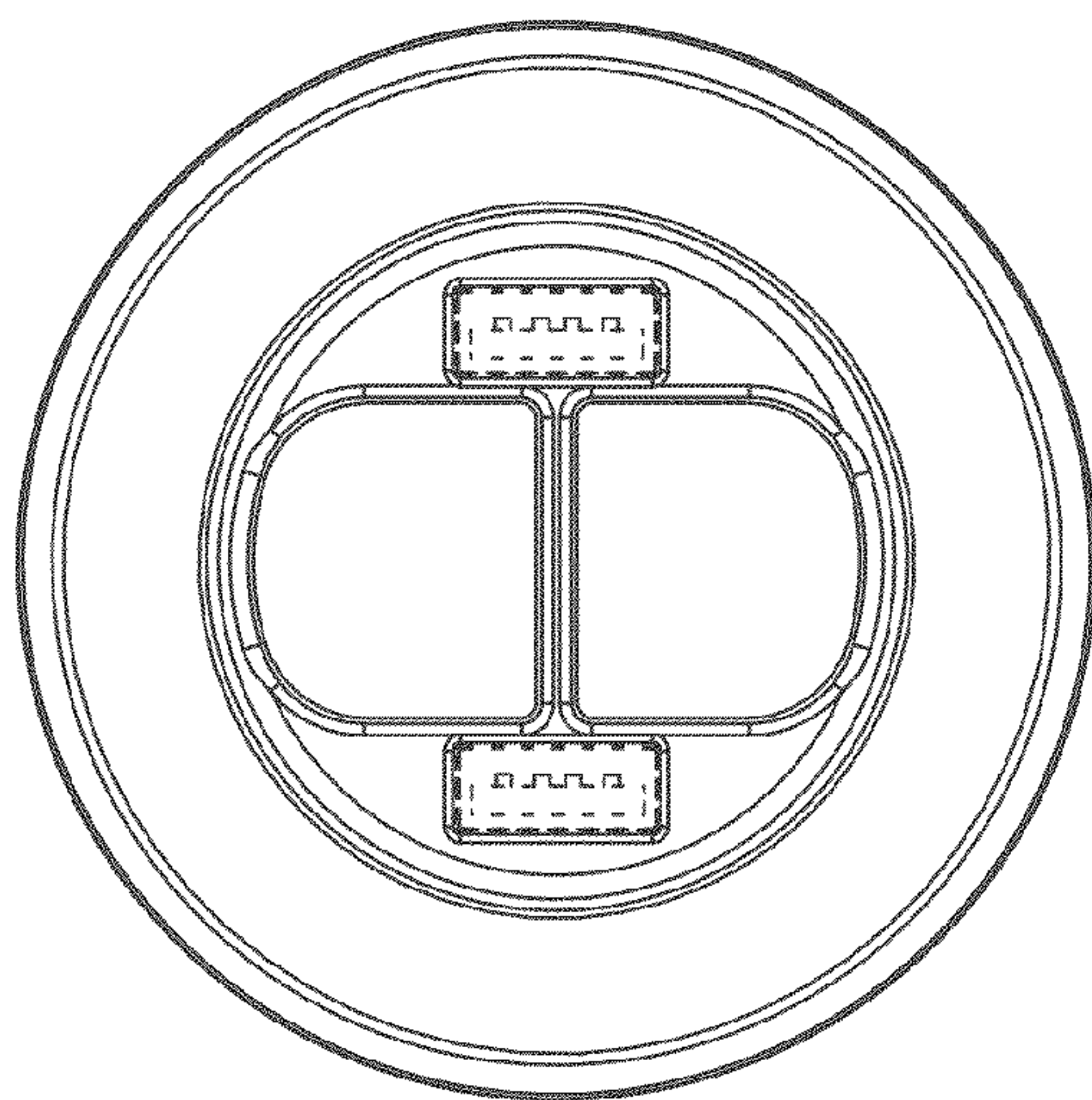


FIG. 2

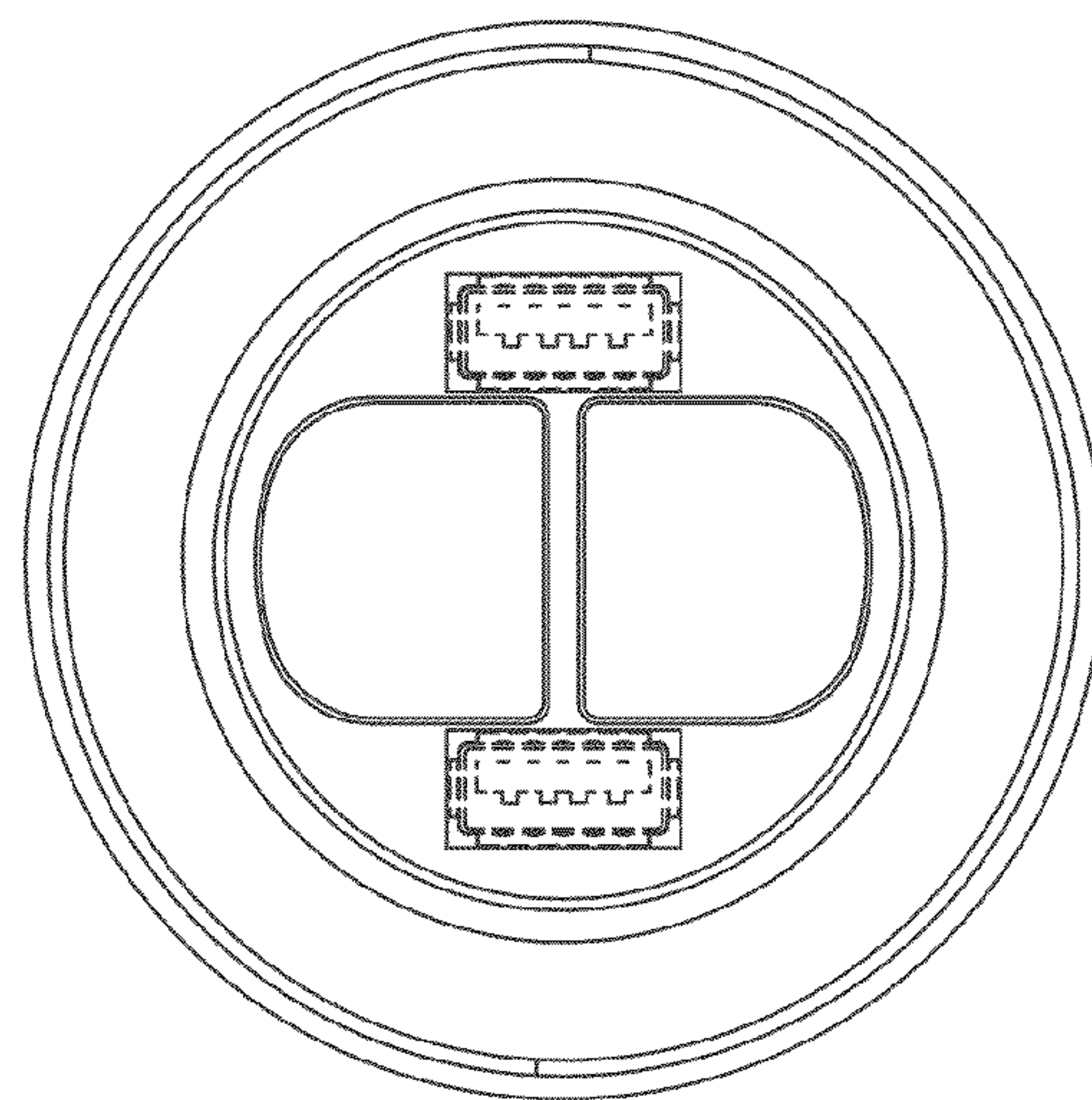


FIG. 3

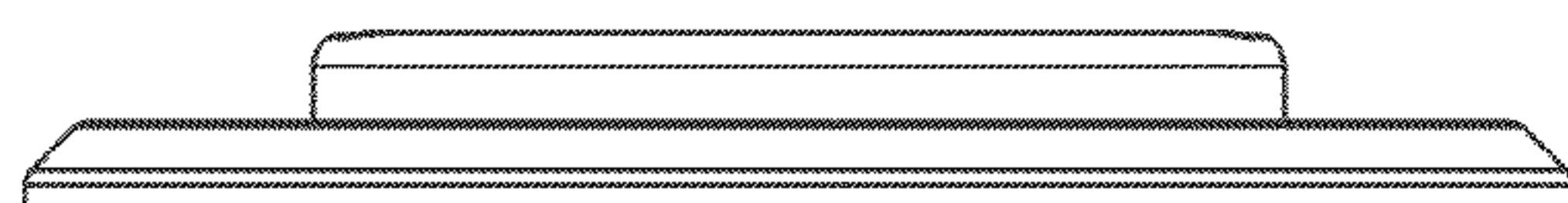


FIG. 4

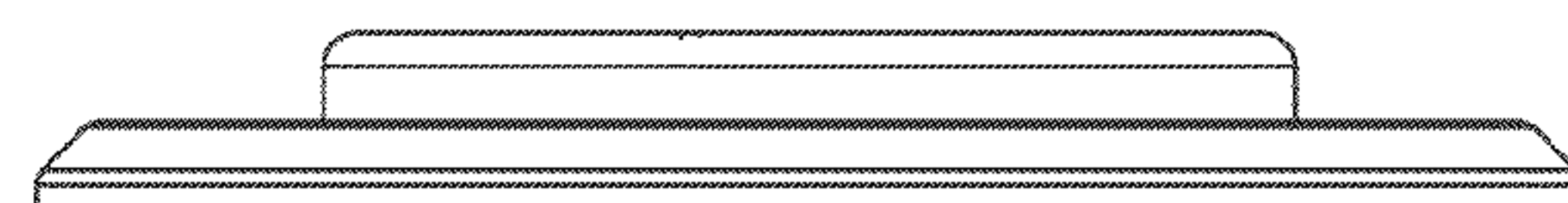


FIG. 5