



US00D692393S

(12) **United States Design Patent**
Hillman et al.

(10) **Patent No.:** **US D692,393 S**
(45) **Date of Patent:** **** Oct. 29, 2013**

(54) **SUPPORT BLOCK**

(71) Applicant: **Haydon Corporation**, Wayne, NJ (US)

(72) Inventors: **Douglas Hillman**, Newton, NJ (US);
Demetrius Pellicier, Blairstown, NJ (US); **Patrick Mullen**, Totowa, NJ (US);
Adam Woods, Denville, NJ (US)

(73) Assignee: **Haydon Corporation**, Wayne, NJ (US)

(**) Term: **14 Years**

(21) Appl. No.: **29/449,868**

(22) Filed: **Mar. 15, 2013**

(51) **LOC (9) Cl.** **13-03**

(52) **U.S. Cl.**
USPC **D13/155; D13/102**

(58) **Field of Classification Search**
USPC D13/155, 102, 118, 154, 184, 199;
D8/349, 354, 355, 356, 380; D25/119,
D25/123, 124, 125; 52/167.7, 167.8, 167.9,
52/173.3, 460, 698, 699, 701, 703;
126/573, 580; 136/206, 244-251, 256,
136/291, 292; D21/484, 500, 504

See application file for complete search history.

(56) **References Cited**

U.S. PATENT DOCUMENTS

5,072,901	A *	12/1991	Scott	248/49
D521,851	S *	5/2006	Smart	D8/354
7,168,210	B2	1/2007	Krovats		
D558,329	S *	12/2007	Esjunin et al.	D23/422
D564,958	S *	3/2008	Almy et al.	D13/102
D593,502	S *	6/2009	Sweeney et al.	D13/155
D616,046	S *	5/2010	Hwang	D21/501
D627,717	S *	11/2010	Munoz et al.	D13/102

7,866,093	B2	1/2011	Krovats		
8,312,692	B2	11/2012	Krovats		
2003/0116683	A1 *	6/2003	Turner et al.	248/65

OTHER PUBLICATIONS

C-Port product brochure, Clearline Technologies, 2012.
Haydon Roofing Catalog C-Port, 2011.
http://www.phpsd.com/images/products/catalogs/php_catalog_cd.pdf, Jul. 18, 2013, 119 pages.
<http://www.aspbase.com/ecocurb-low-profile-pipe-supports.html>, Jul. 18, 2013, 1 page.
http://www.pipepier.com/pipe_pier_products.php, Jul. 18, 2013, 1 page.
<http://www.cooperindustries.com/content/public/en/b-line/brands/Dura-Blok.html>, Jul. 18, 2013, 5 pages.
<http://www.miroind.com/>, Jul. 18, 2013, 1 page.
<http://www.erico.com/products.asp?folderid=189>, Jul. 18, 2013, 1 page.

* cited by examiner

Primary Examiner — Derrick Holland
(74) *Attorney, Agent, or Firm* — Lowenstein Sandler LLP

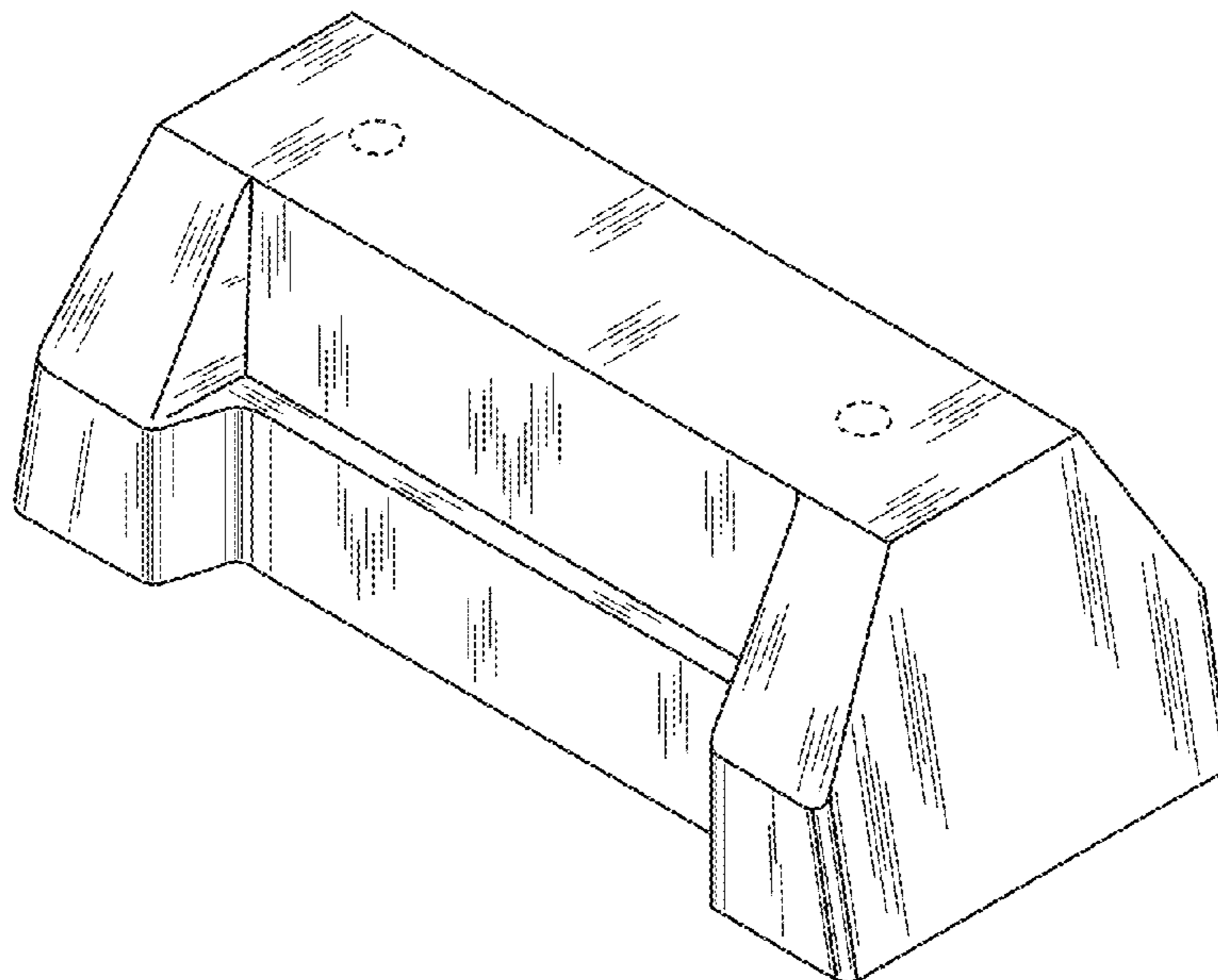
(57) **CLAIM**

The ornamental design for a support block, as shown and described.

DESCRIPTION

FIG. 1 is a perspective view of a support block embodying the present invention;
FIG. 2 is a top plan view thereof;
FIG. 3 is a right-side elevational view thereof;
FIG. 4 is a left-side elevational view thereof;
FIG. 5 is a bottom plan view thereof;
FIG. 6 is a front elevational view thereof; and,
FIG. 7 is a rear elevational view thereof.
The broken lines shown represent unclaimed subject matter and form no part of the claimed design.

1 Claim, 4 Drawing Sheets



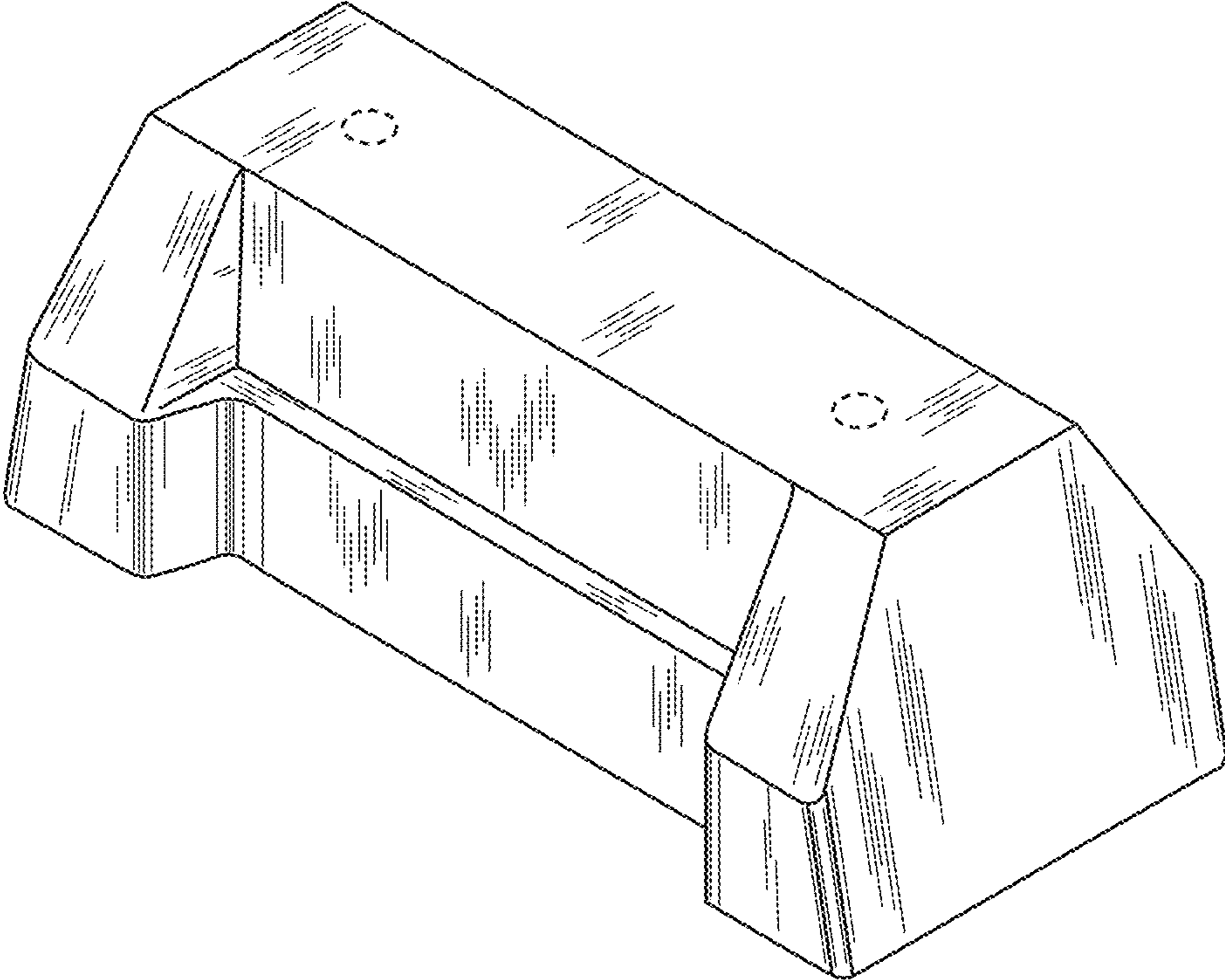


FIG. 1

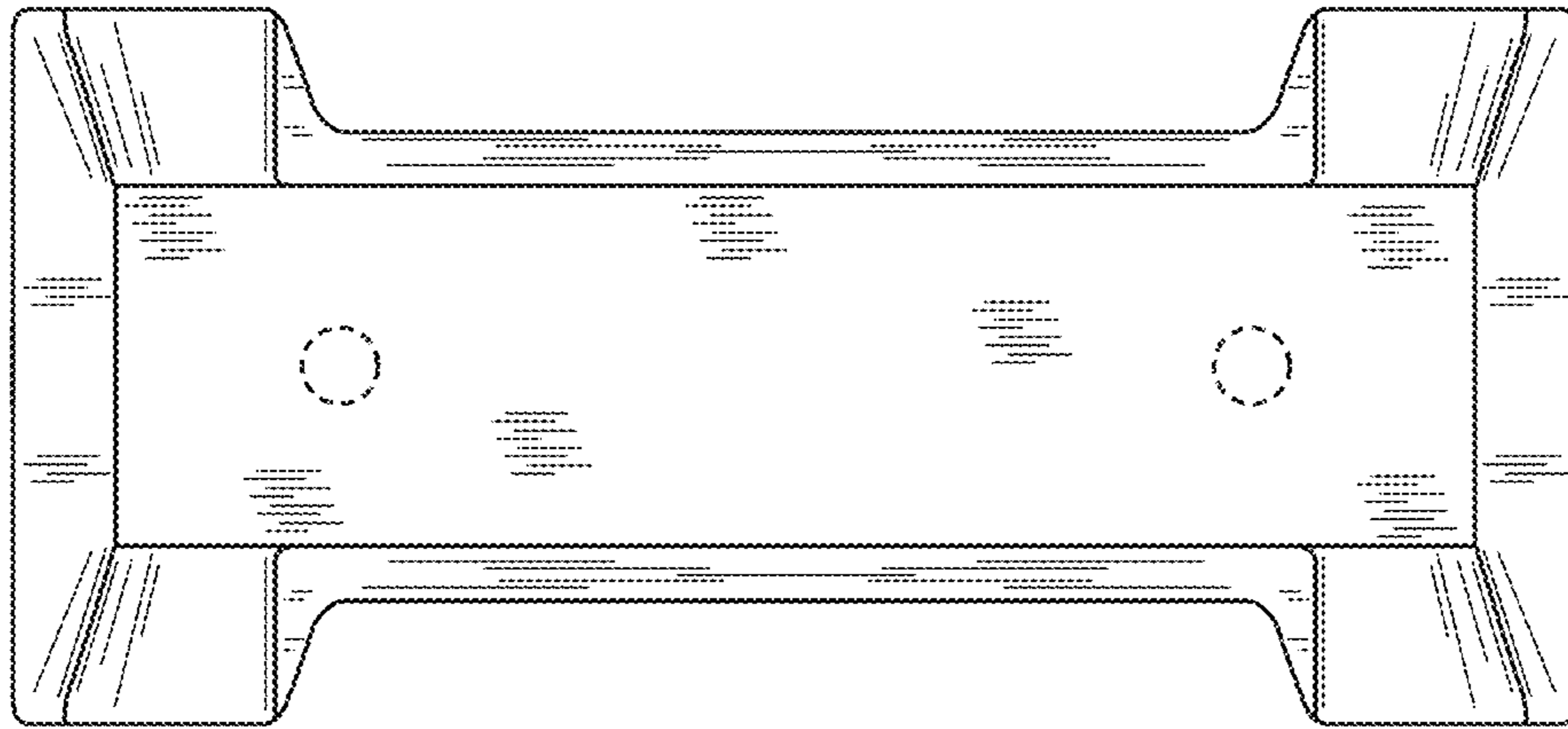


FIG. 2

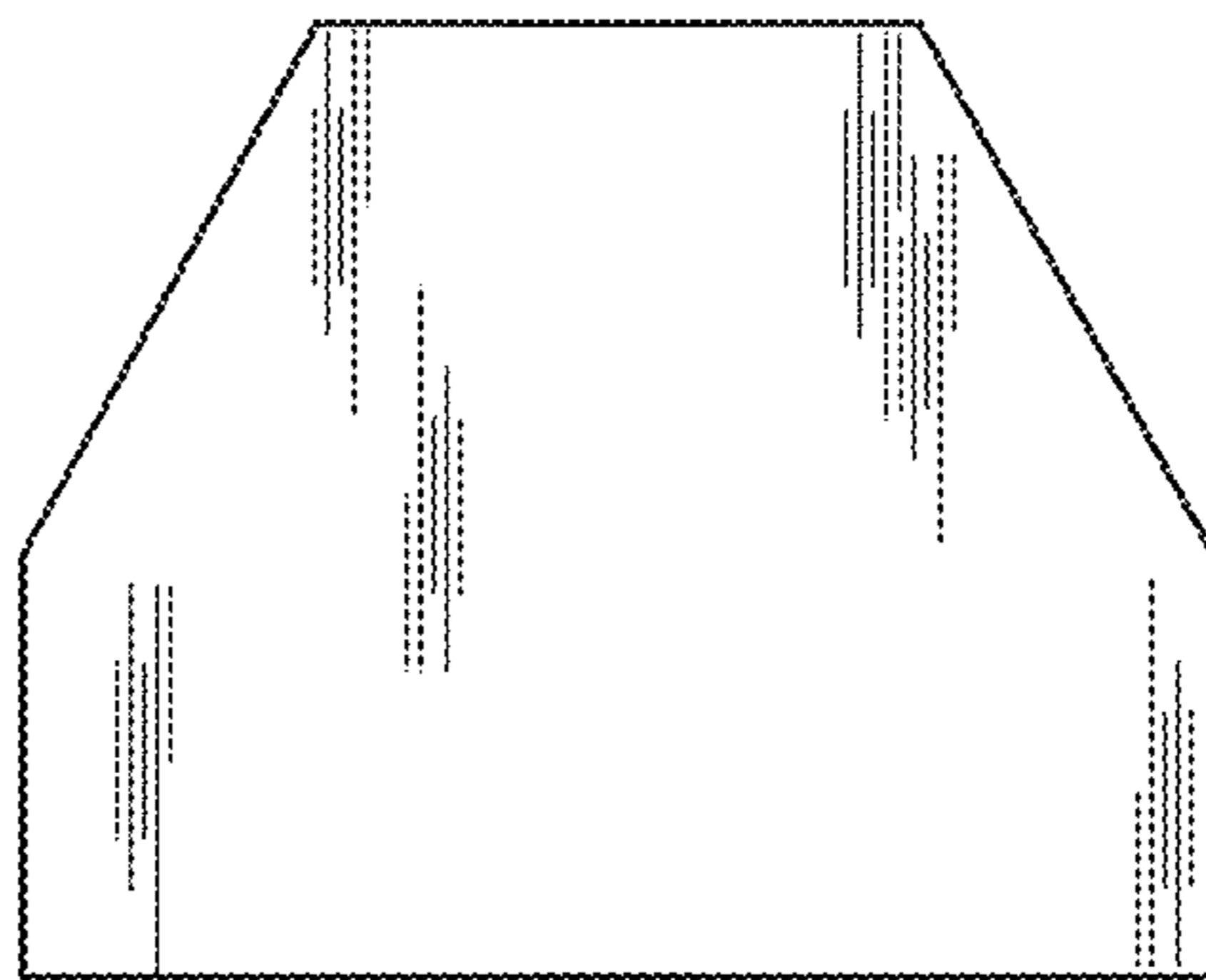


FIG. 3

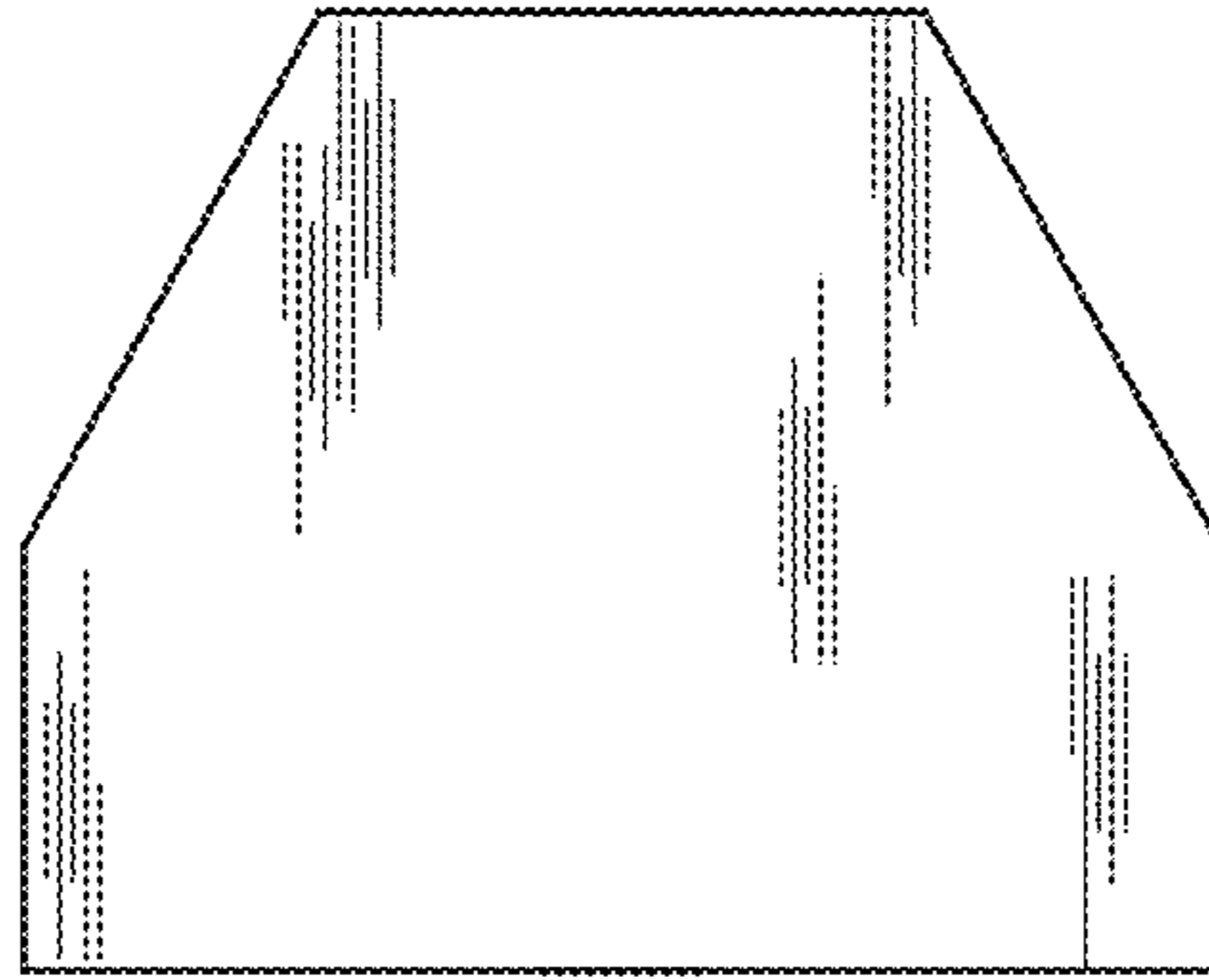


FIG. 4

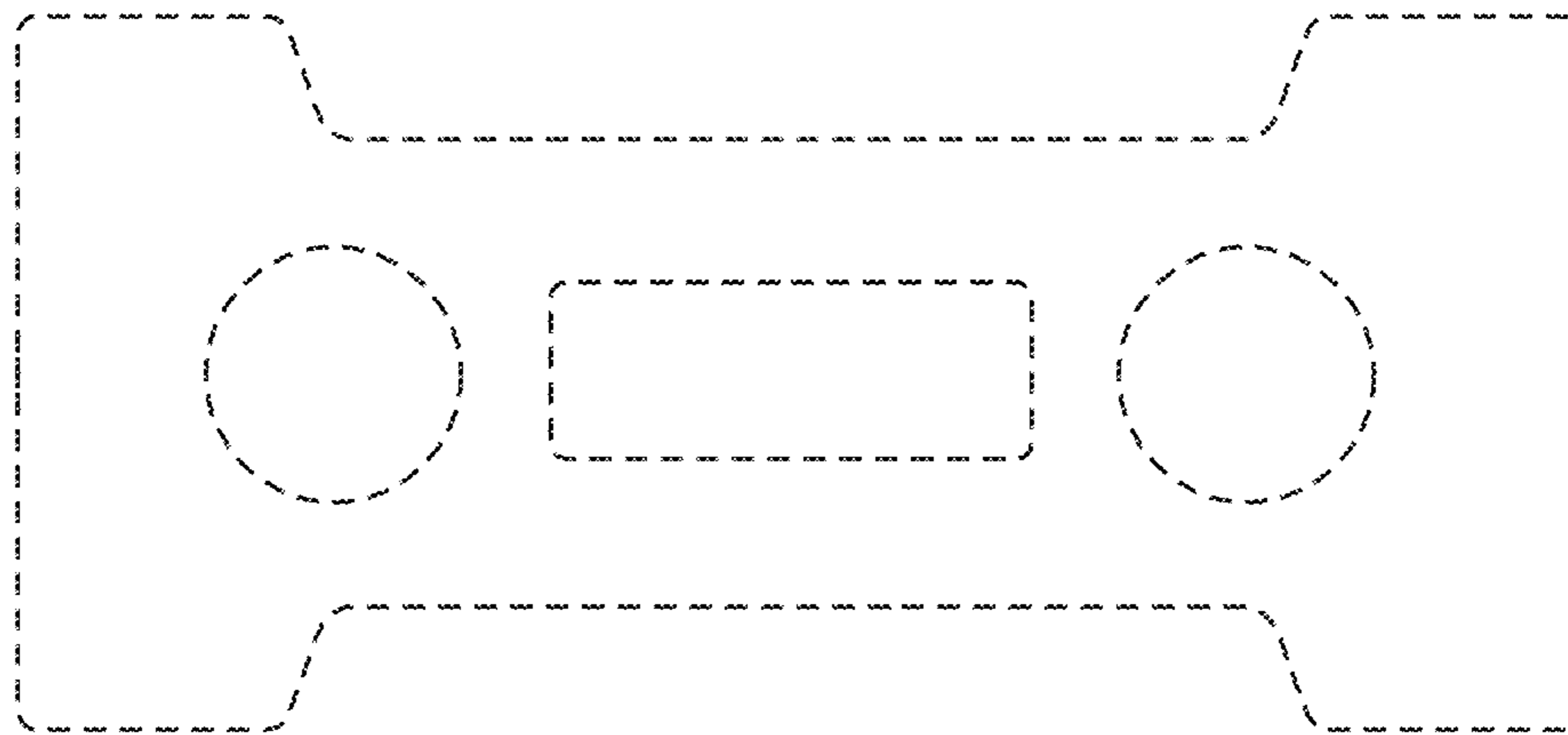


FIG. 5

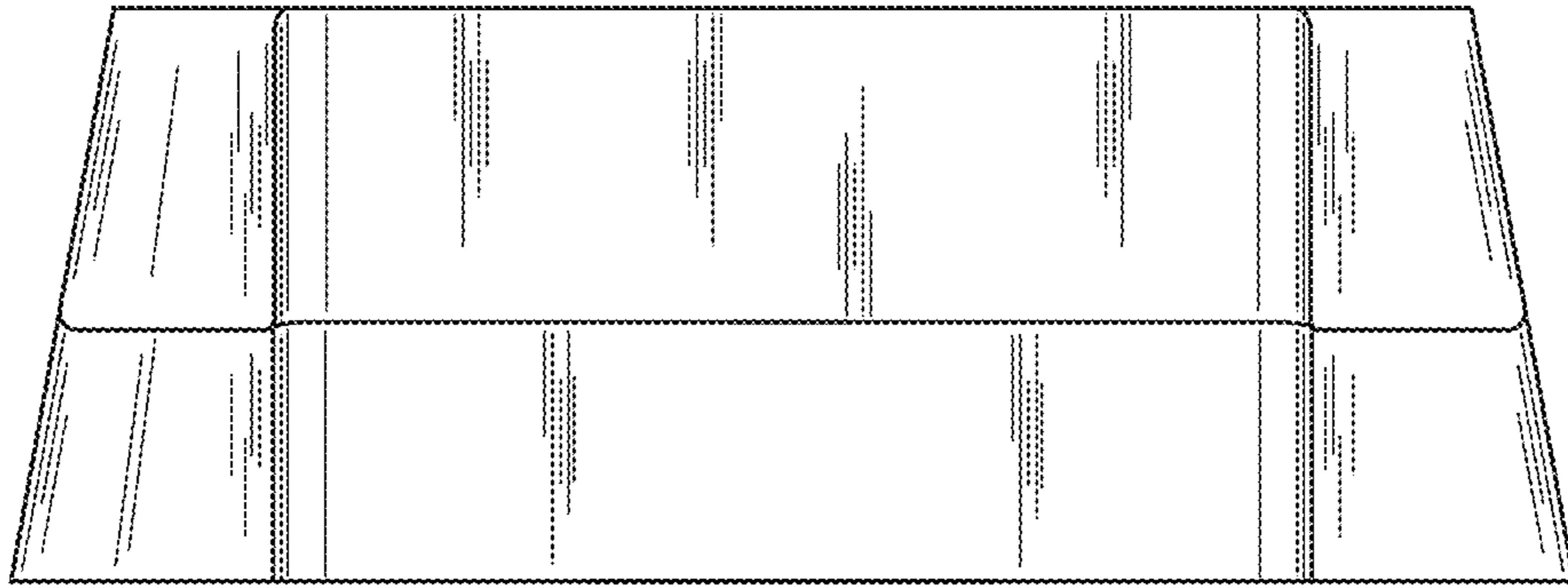


FIG. 6

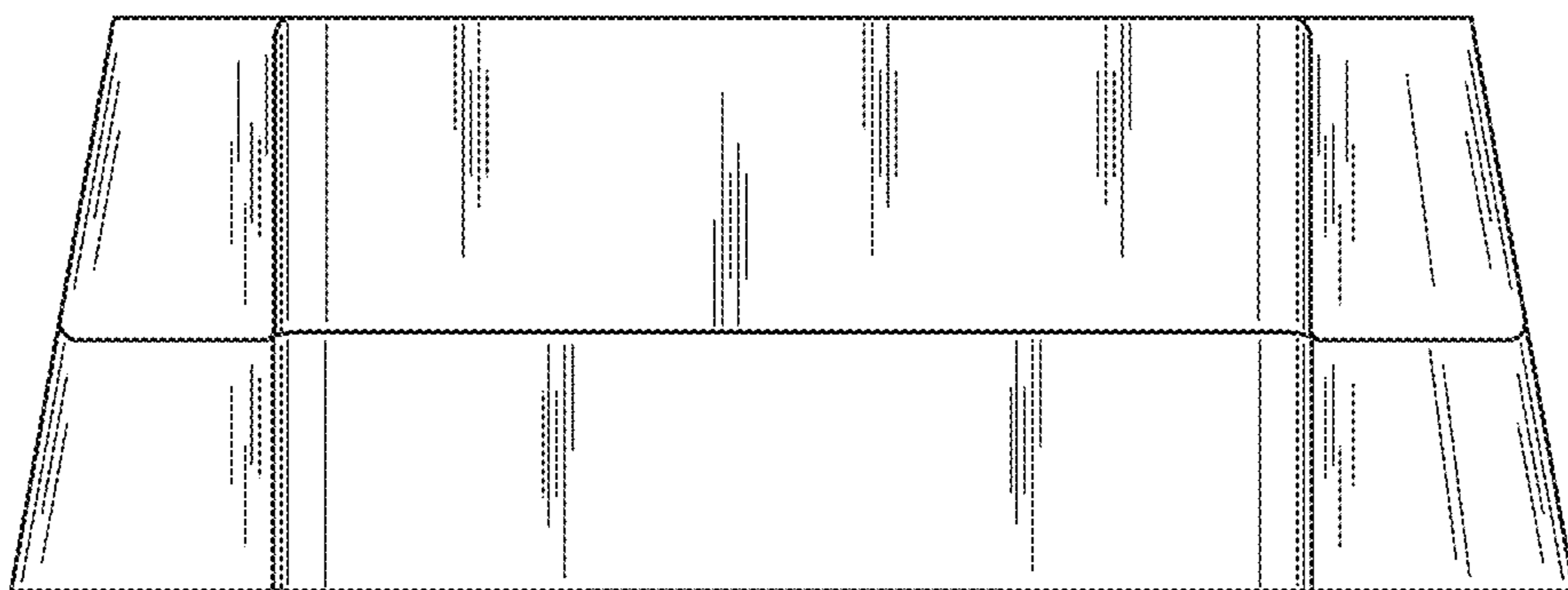


FIG. 7