

US00D692392S

(12) **United States Design Patent**
Suzuki et al.

(10) **Patent No.:** **US D692,392 S**
(45) **Date of Patent:** **** Oct. 29, 2013**

(54) **ELECTRICAL CONNECTOR PART**

(75) Inventors: **Toshikazu Suzuki**, Tokyo (JP); **Naoki Kadowaki**, Tokyo (JP); **Yusuke Inoue**, Tokyo (JP)

(73) Assignee: **Japan Aviation Electronics Industry, Limited**, Tokyo (JP)

(**) Term: **14 Years**

(21) Appl. No.: **29/423,780**

(22) Filed: **Jun. 5, 2012**

(30) **Foreign Application Priority Data**

Dec. 14, 2011 (JP) 2011-029054

(51) **LOC (9) Cl.** **13-03**

(52) **U.S. Cl.**
USPC **D13/154; D13/146**

(58) **Field of Classification Search**
USPC D13/133, 146, 147, 154, 184; 439/79, 439/83, 557, 607.01, 607.04, 607.05, 439/607.17, 607.25, 607.31, 607.34, 439/607.41, 607.53, 620.06, 620.15, 439/620.21, 620.31, 660

See application file for complete search history.

(56) **References Cited**

U.S. PATENT DOCUMENTS

| | | | | |
|--------------|---------|---------------|-------|---------|
| D469,407 S * | 1/2003 | Wu | | D13/147 |
| D543,944 S * | 6/2007 | Yamada et al. | | D13/147 |
| D596,576 S * | 7/2009 | Zhu | | D13/147 |
| D619,537 S * | 7/2010 | Cohen et al. | | D13/147 |
| D627,738 S * | 11/2010 | Luo | | D13/147 |
| D637,957 S * | 5/2011 | Zhang et al. | | D13/147 |
| D647,854 S | 11/2011 | Lin | | |

* cited by examiner

Primary Examiner — Daniel Bui

(74) *Attorney, Agent, or Firm* — Cermak Nakajima LLP; Tomoko Nakajima

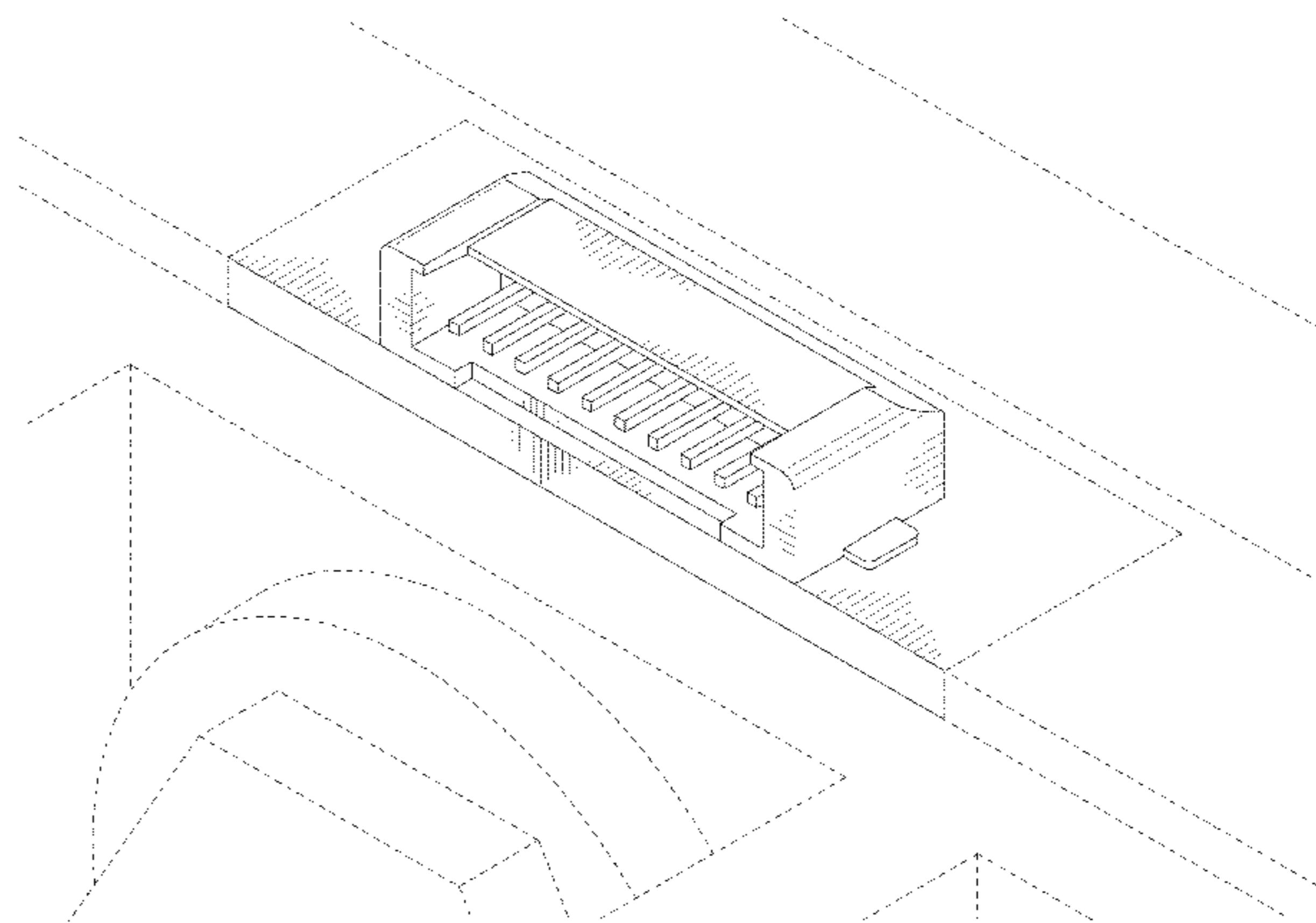
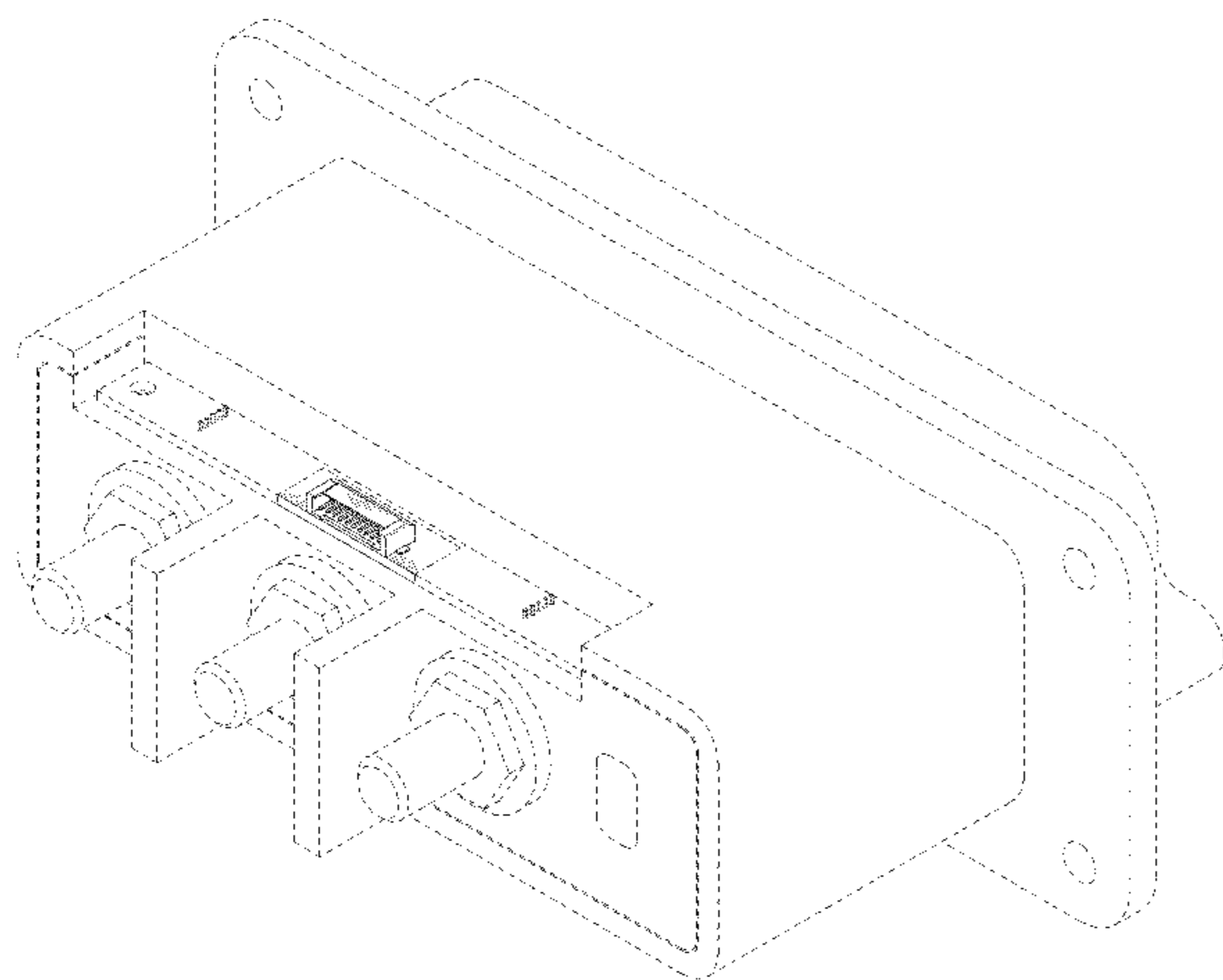
(57) **CLAIM**

The ornamental design for an electrical connector part, as shown and described.

DESCRIPTION

FIG. 1 is a top plan view of an electrical connector part showing our new design; FIG. 2 is a rear elevational view thereof; FIG. 3 is a rear and top perspective view thereof; and FIG. 4 is an enlarged rear and top perspective view thereof. FIG. 5 is a front elevational view thereof; FIG. 6 is a right side elevational view thereof; FIG. 7 is a left side elevational view thereof; and FIG. 8 is a bottom plan view thereof. The even-broken line in the drawings is included to show unclaimed environment only and forms no part of the claimed design. The dash-dot broken line represents the boundary of the claimed design.

1 Claim, 8 Drawing Sheets



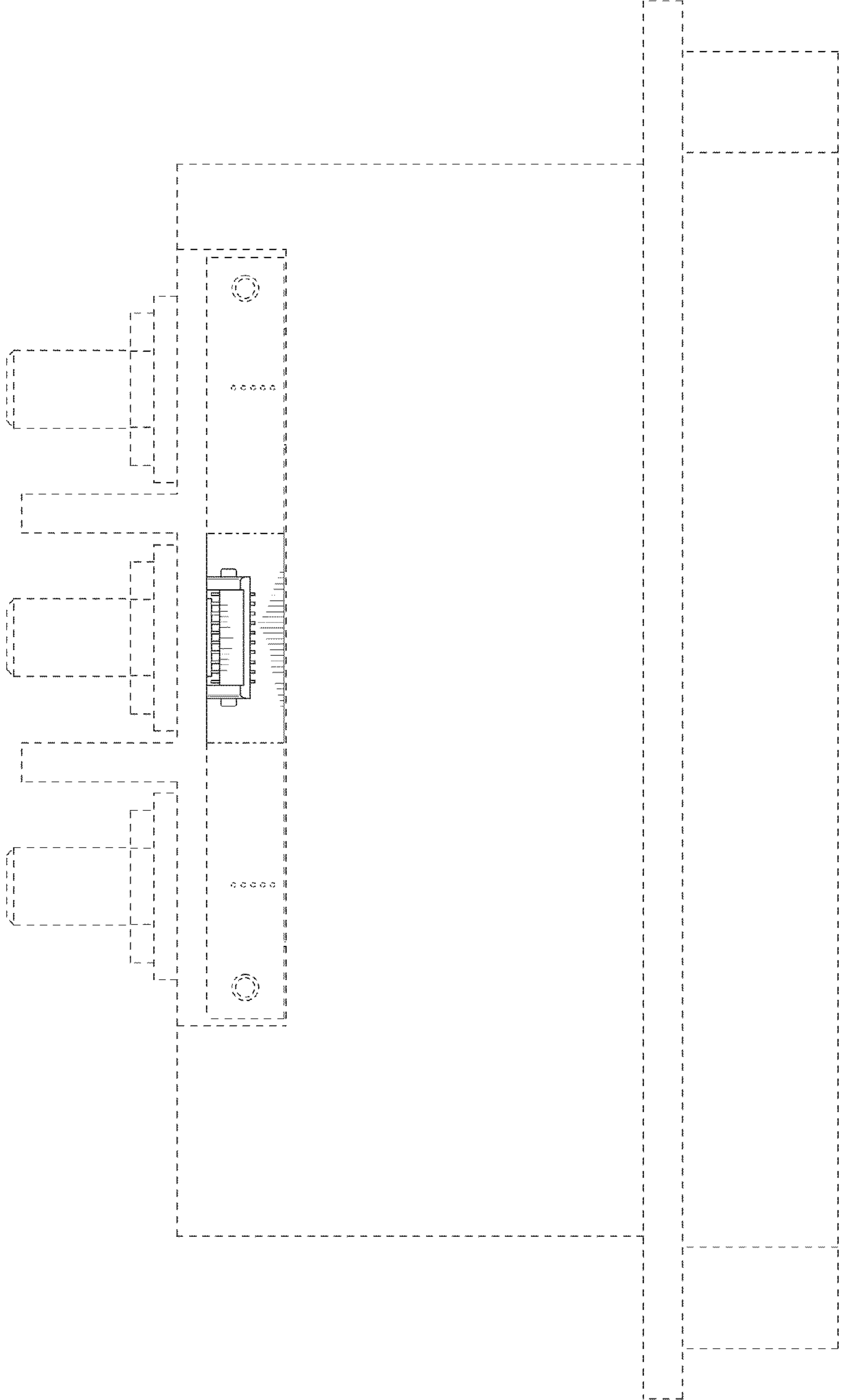


FIG.1

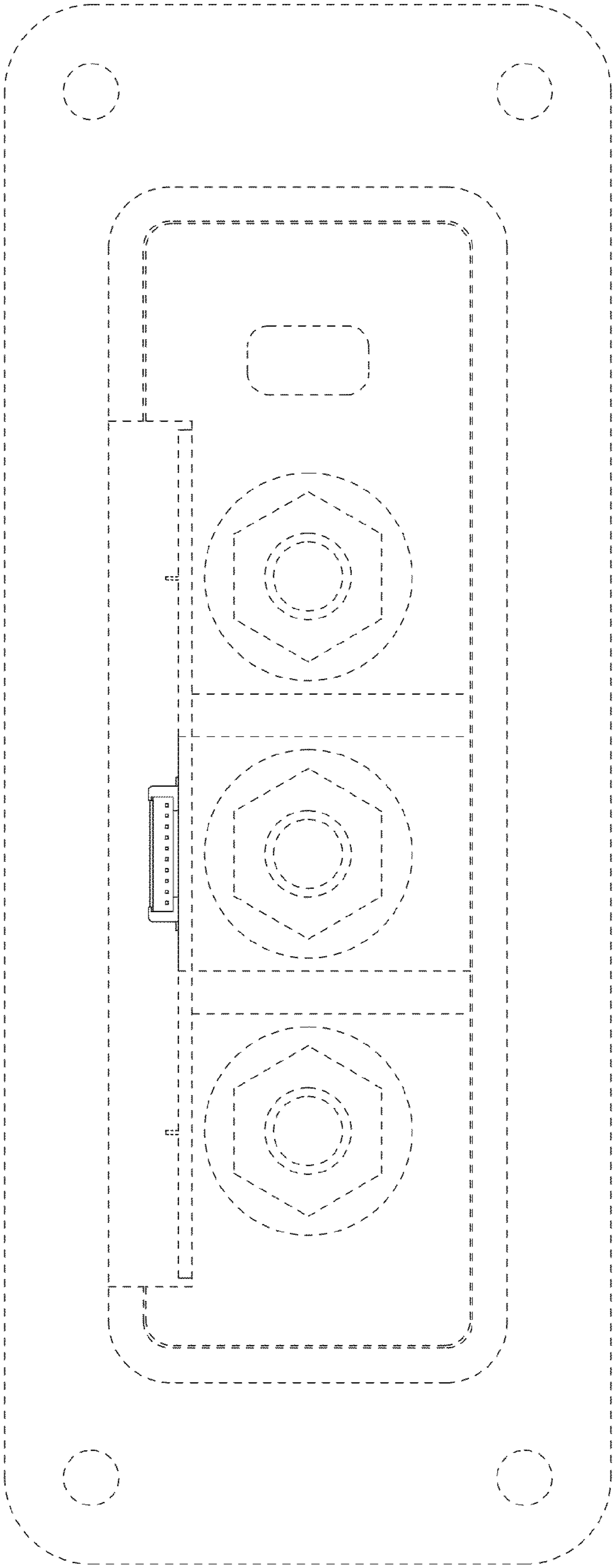


FIG.2

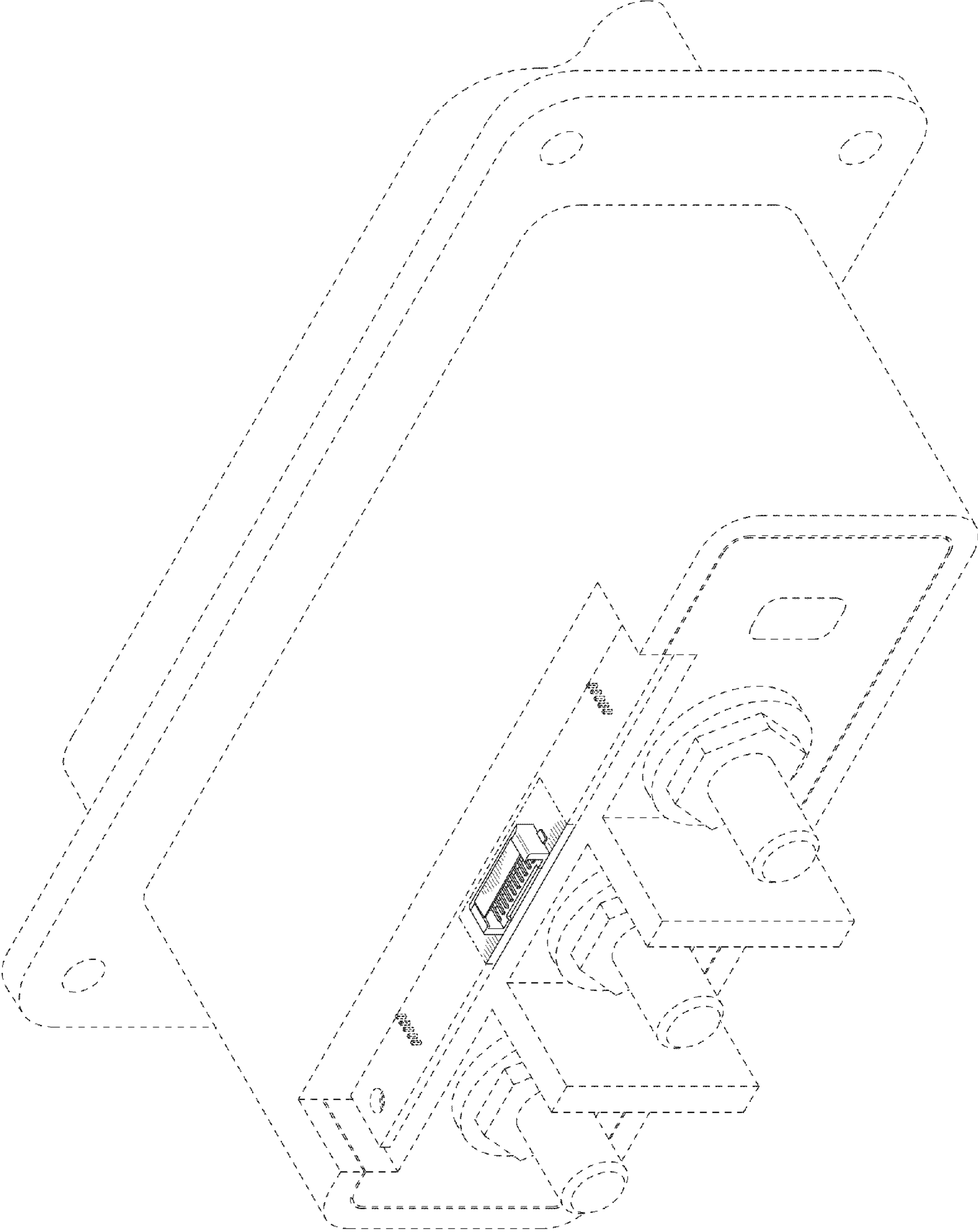


FIG.3

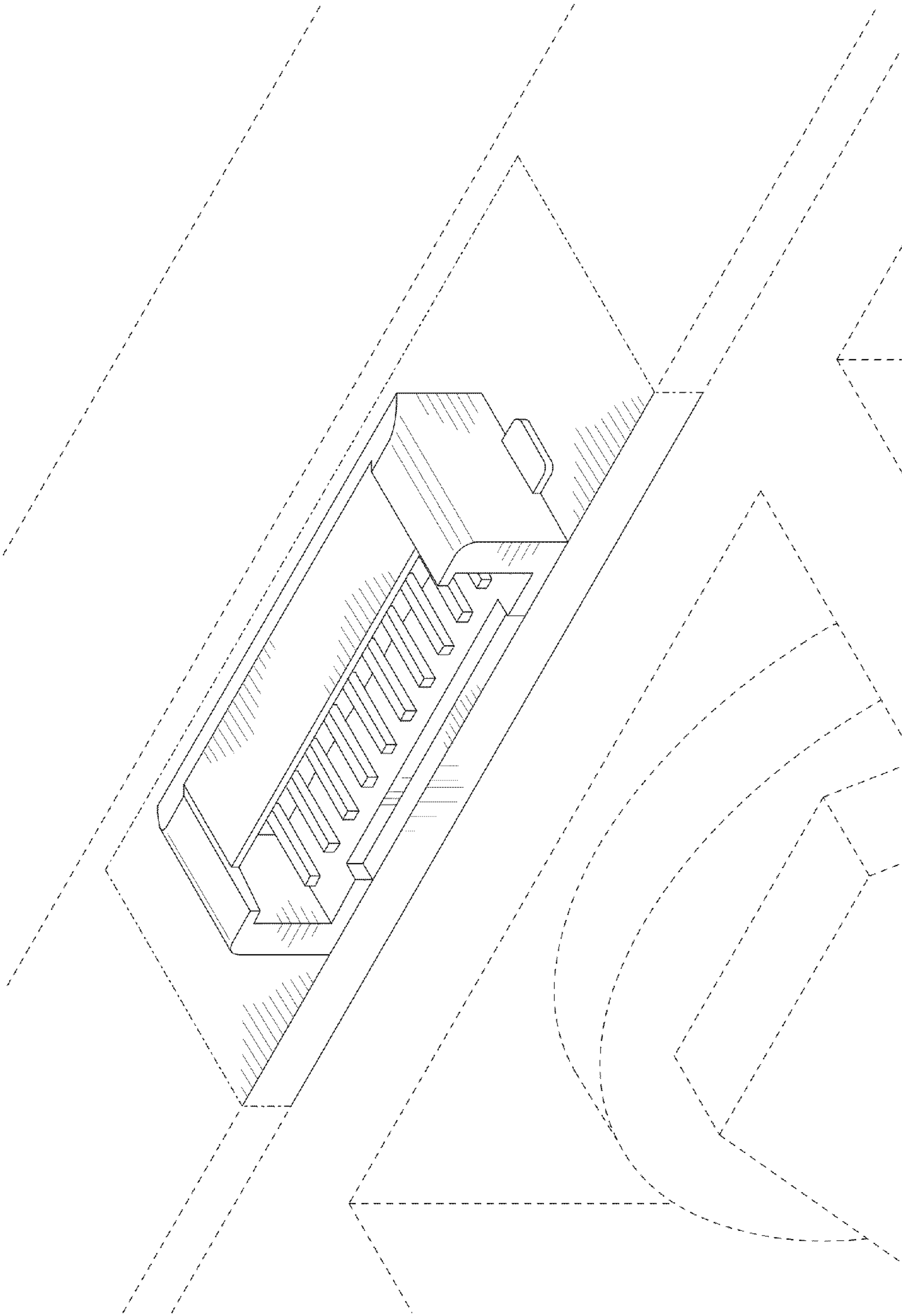


FIG.4

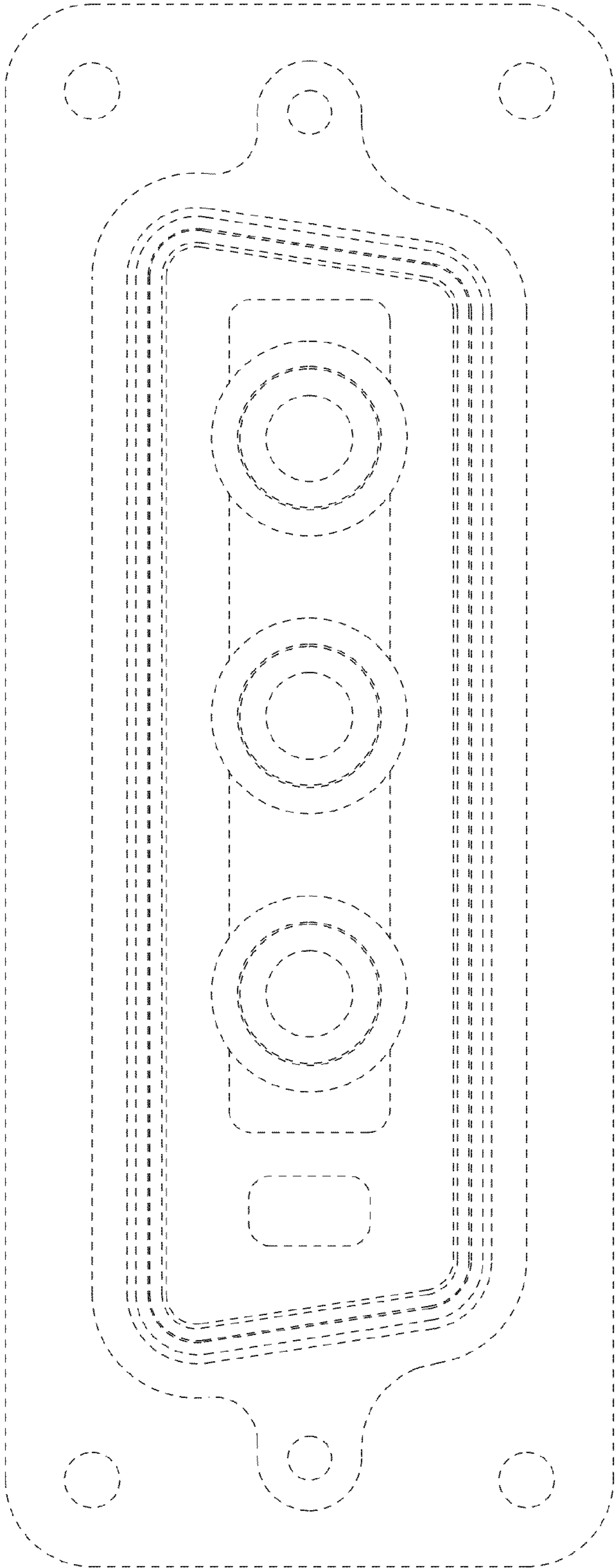


FIG.5

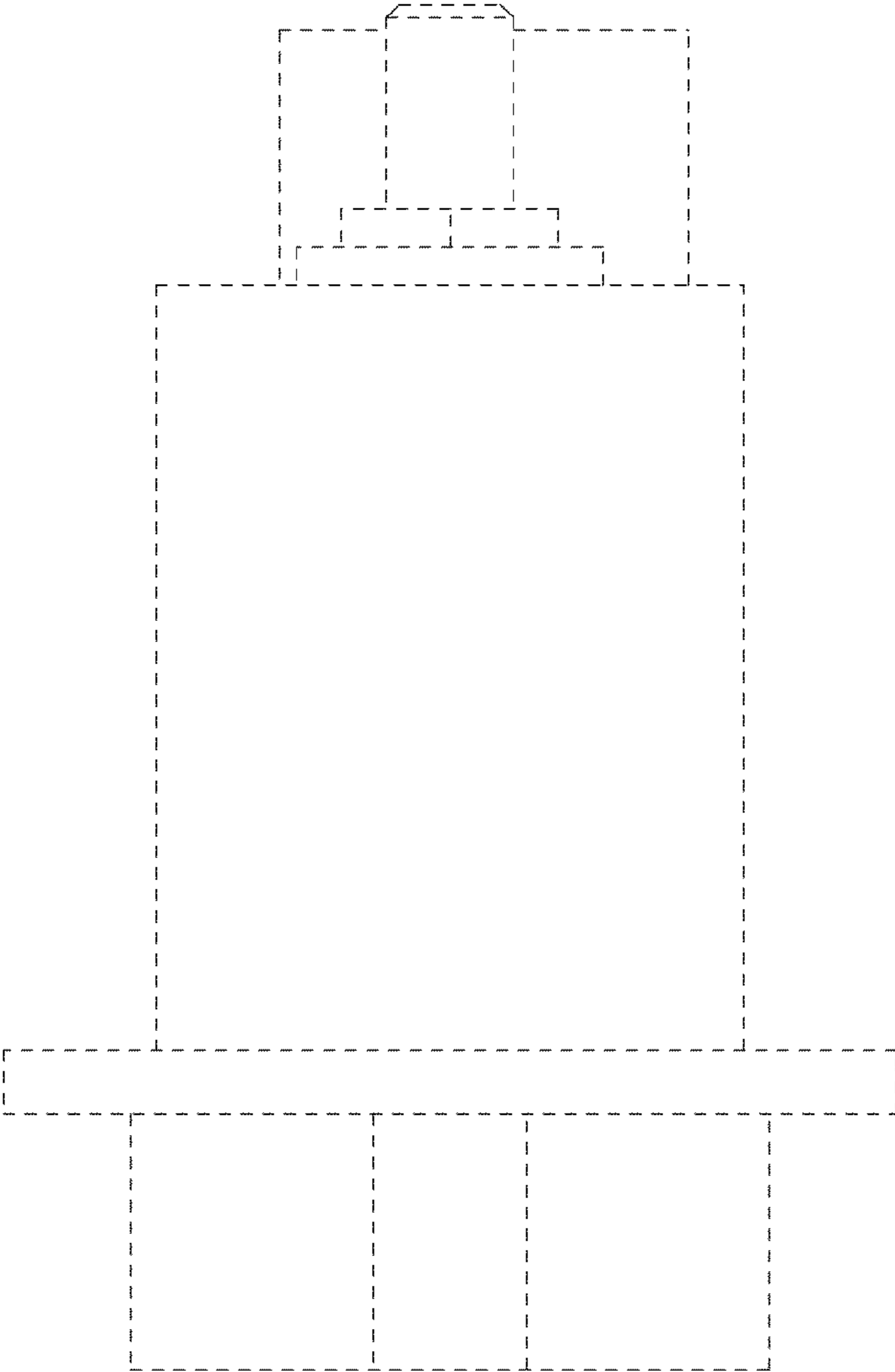


FIG.6

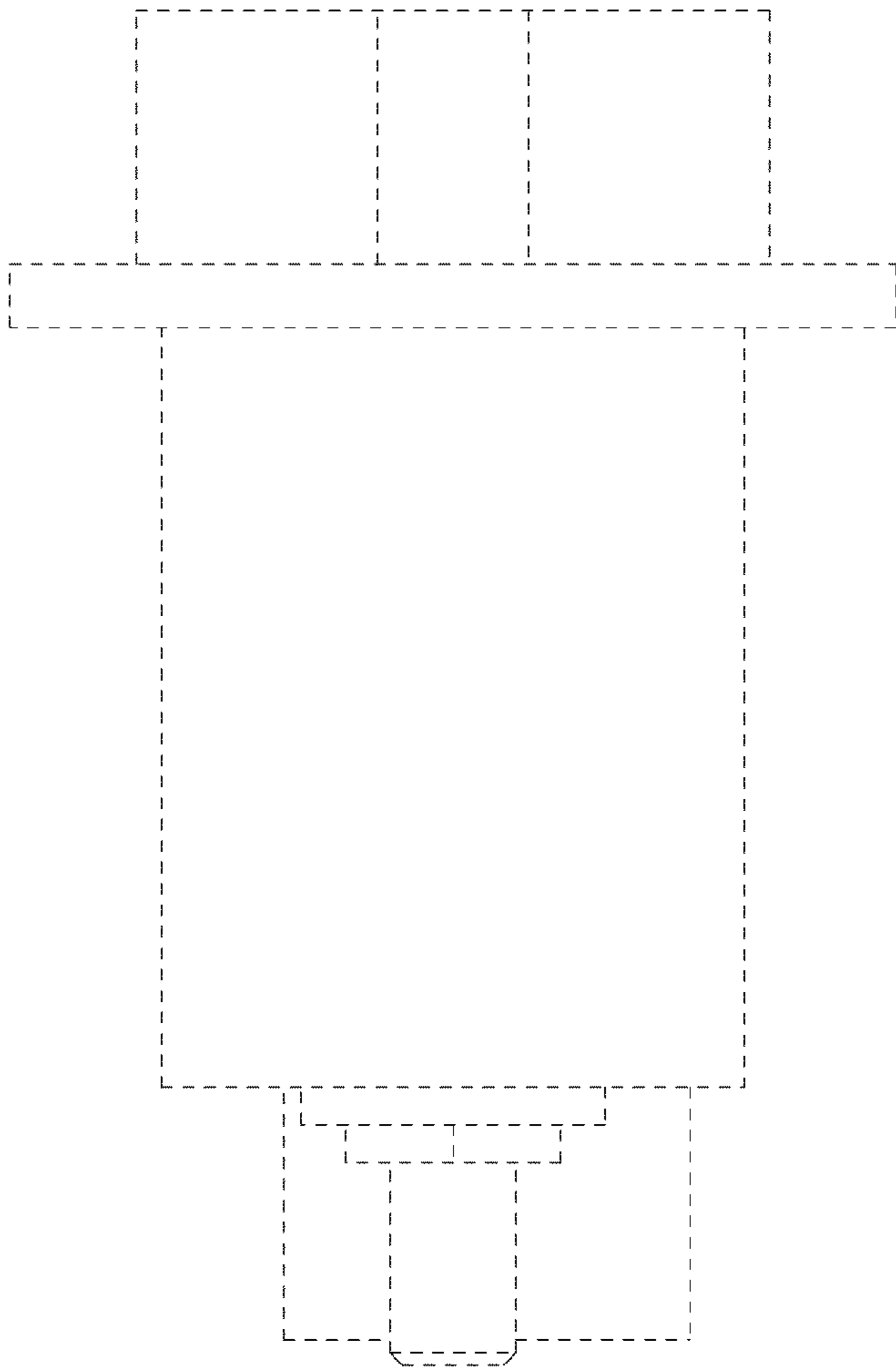


FIG.7

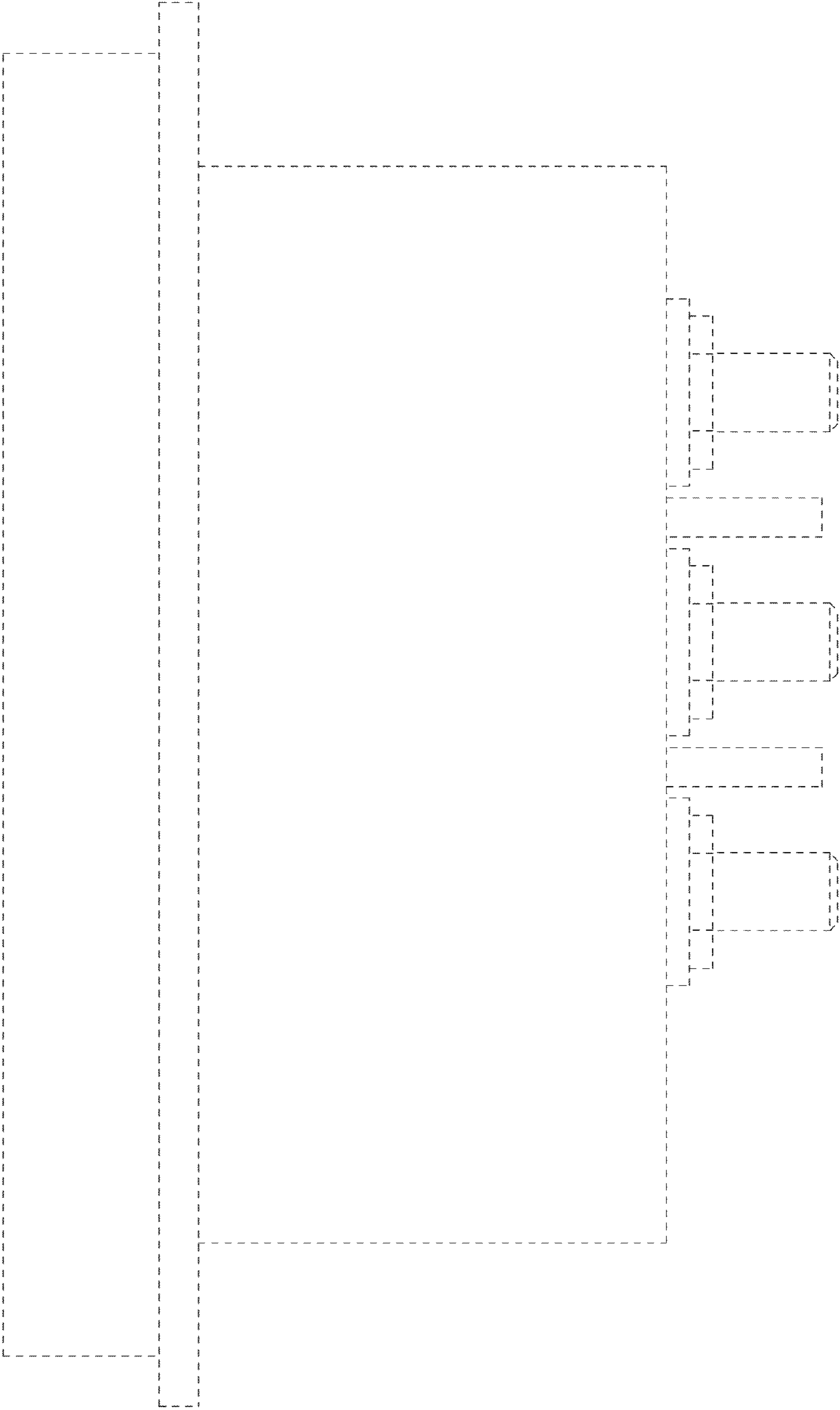


FIG.8