



US00D692390S

(12) **United States Design Patent**
Smith et al.

(10) **Patent No.:** **US D692,390 S**

(45) **Date of Patent:** **** *Oct. 29, 2013**

(54) **DEVICE CABLE**

(75) Inventors: **Dustin Jonathan Smith**, Waterloo (CA);
Todd Andrew Wood, Toronto (CA);
Anders Fahrendorff, Ottawa (CA)

(73) Assignee: **BlackBerry Limited**, Waterloo, Ontario (CA)

(*) Notice: This patent is subject to a terminal disclaimer.

(**) Term: **14 Years**

(21) Appl. No.: **29/400,206**

(22) Filed: **Aug. 24, 2011**

(51) **LOC (9) Cl.** **13-03**

(52) **U.S. Cl.**
USPC **D13/153; D13/133**

(58) **Field of Classification Search**
USPC D13/153, 133, 139.7, 138.1, 137.4,
D13/137.1, 129, 117, 147, 154, 156, 182,
D13/131, 132; D24/133, 140, 146, 147,
D24/171, 167; 174/102, 135, 138, 72 A;
439/350, 358, 447, 352, 578, 584, 585,
439/607-610, 660, 680, 682, 686, 131,
439/248; 138/162, 156, 166; D21/385;
D10/70-72; D14/440

See application file for complete search history.

(56) **References Cited**

U.S. PATENT DOCUMENTS

D548,700	S	*	8/2007	Ledbetter et al.	D13/154
D584,689	S	*	1/2009	Slawson et al.	D13/133
D588,545	S	*	3/2009	Andre et al.	D13/154
D600,652	S	*	9/2009	Hong et al.	D13/154
7,679,008	B2	*	3/2010	Lee	174/560
D613,249	S	*	4/2010	Nagata et al.	D13/147
D622,220	S	*	8/2010	Huang et al.	D13/147
D636,337	S	*	4/2011	Smith et al.	D13/147
8,287,299	B2	*	10/2012	Ray et al.	439/353

2009/0203266	A1	*	8/2009	Chuang	439/701
2011/0124216	A1	*	5/2011	Wilson et al.	439/352
2012/0039051	A1	*	2/2012	Chang	361/752

OTHER PUBLICATIONS

- http://reviews.wikinut.com/img/1nu8nb2vw30wrvci/HDMI-cable-connector.*
- http://xinhongya.b2bage.com/product-computer-cables-connectors/1445956/usb-to-usb-ext...*
- http://sell.bizrice.com/selling-leads/1072097/USB-cable-connector-I-O-usb-extension-con...*
- http://www.wire-cable-solution.com/DP-HDMI-CABLE-871.html.*
- http://www.envenegy.com/?p=535.*
- http://www.wisegeek.com/what-are-the-different-types-of-usb-connectors.htm#usb.*

* cited by examiner

Primary Examiner — Robert M Spear

Assistant Examiner — Rhea Shields

(57) **CLAIM**

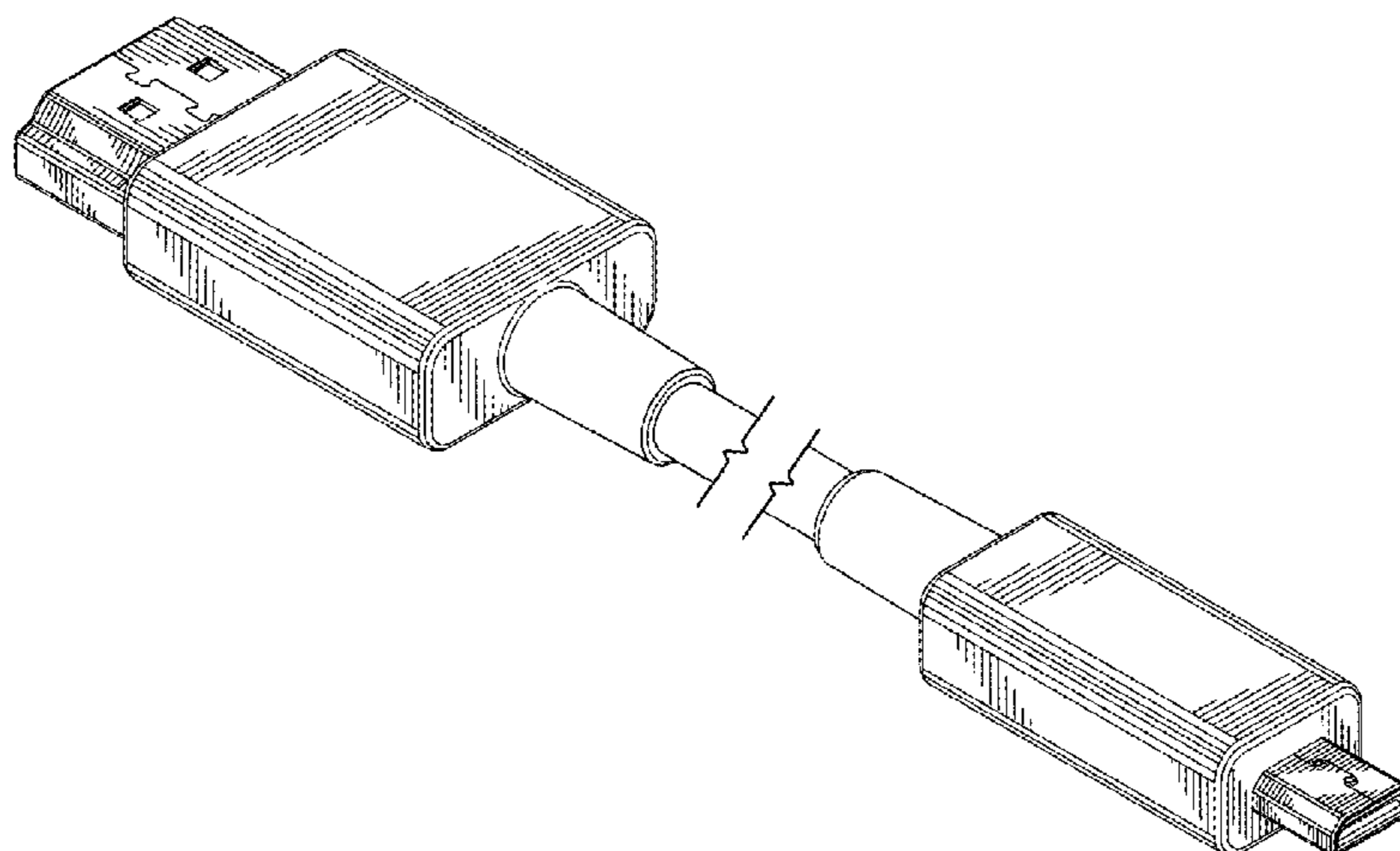
We claim the ornamental design for a device cable, as shown and described.

DESCRIPTION

FIG. 1 is a front perspective view of a device cable; FIG. 2 is a back bottom perspective view of the device cable; FIG. 3 is a left elevational view thereof; FIG. 4 is a right elevational view thereof; FIG. 5 is a front elevational view thereof; FIG. 6 is a back elevational view thereof; FIG. 7 is a bottom plan view thereof; and, FIG. 8 is a top plan view thereof.

The device cable is shown with a symbolic break in its length. The break lines and the appearance of any portion of the article between the break lines form no part of the claimed design.

1 Claim, 4 Drawing Sheets



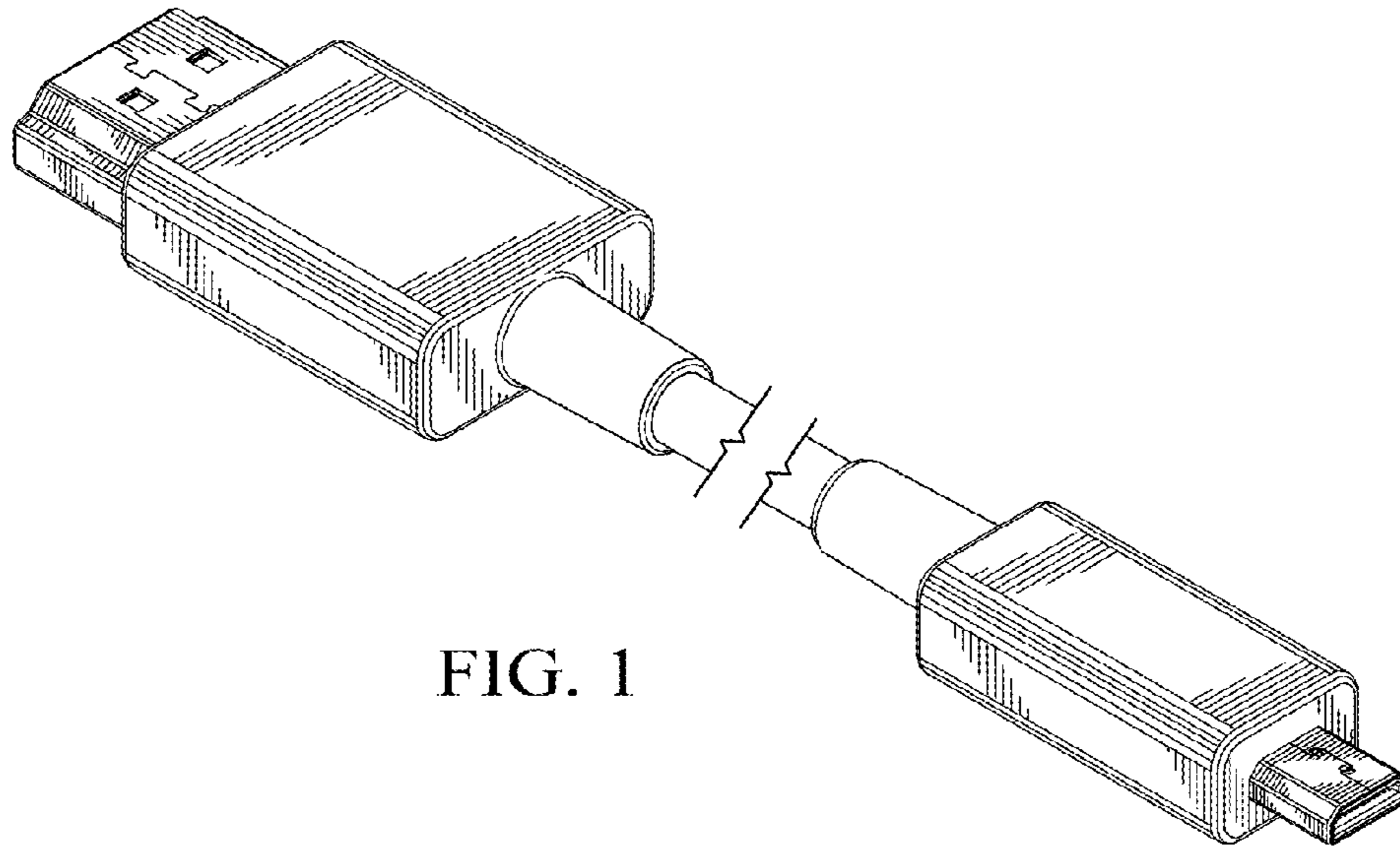


FIG. 1

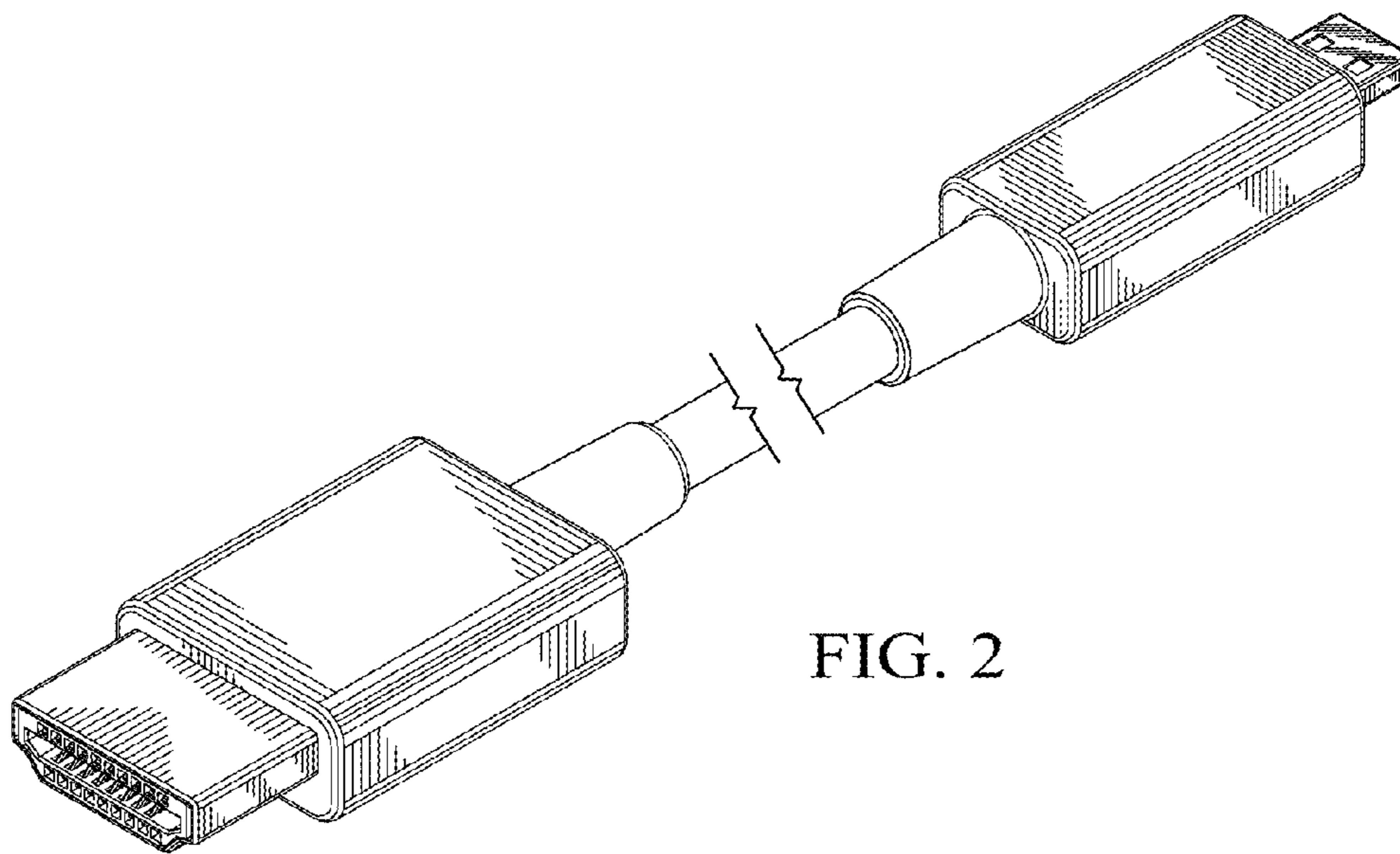


FIG. 2

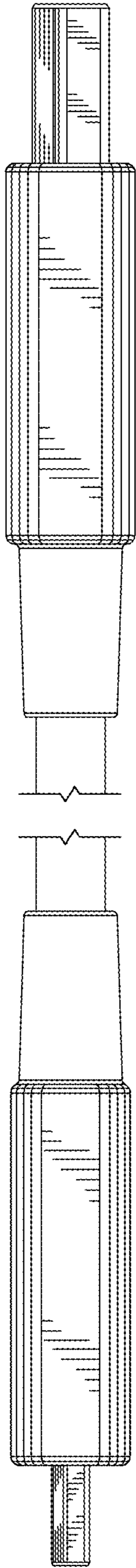


FIG. 3

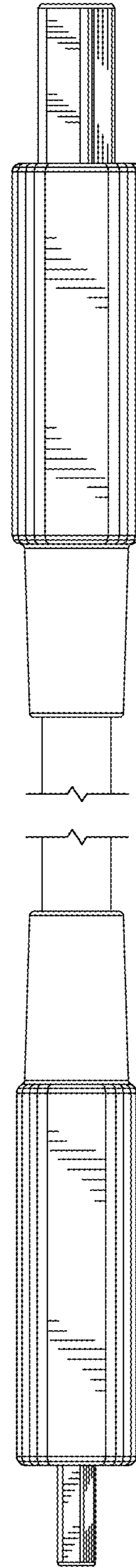


FIG. 4

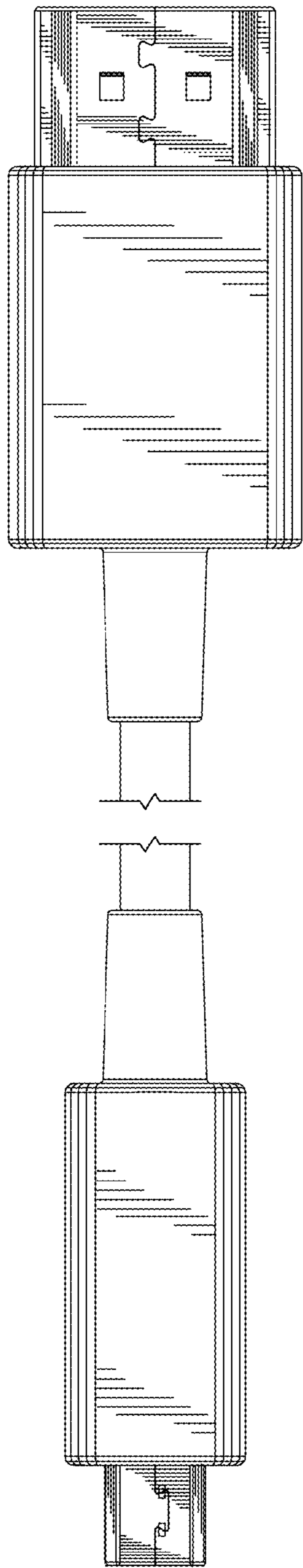


FIG. 5

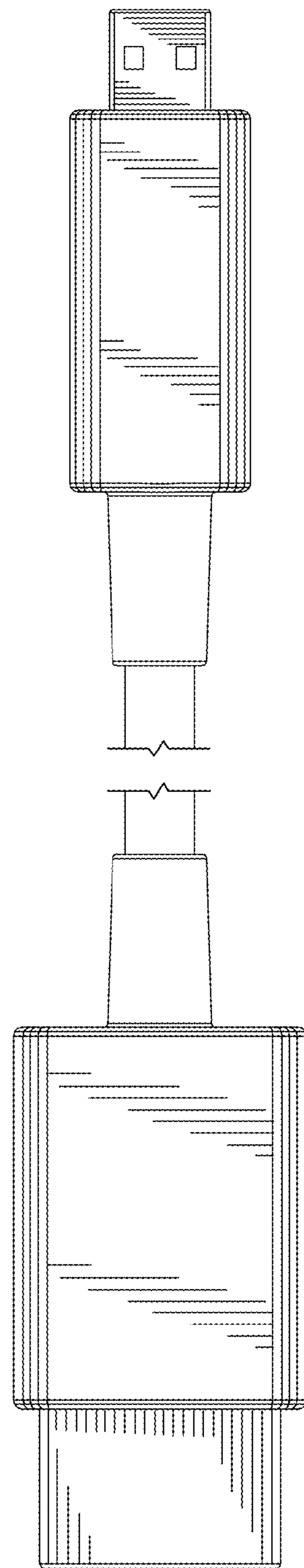


FIG. 6

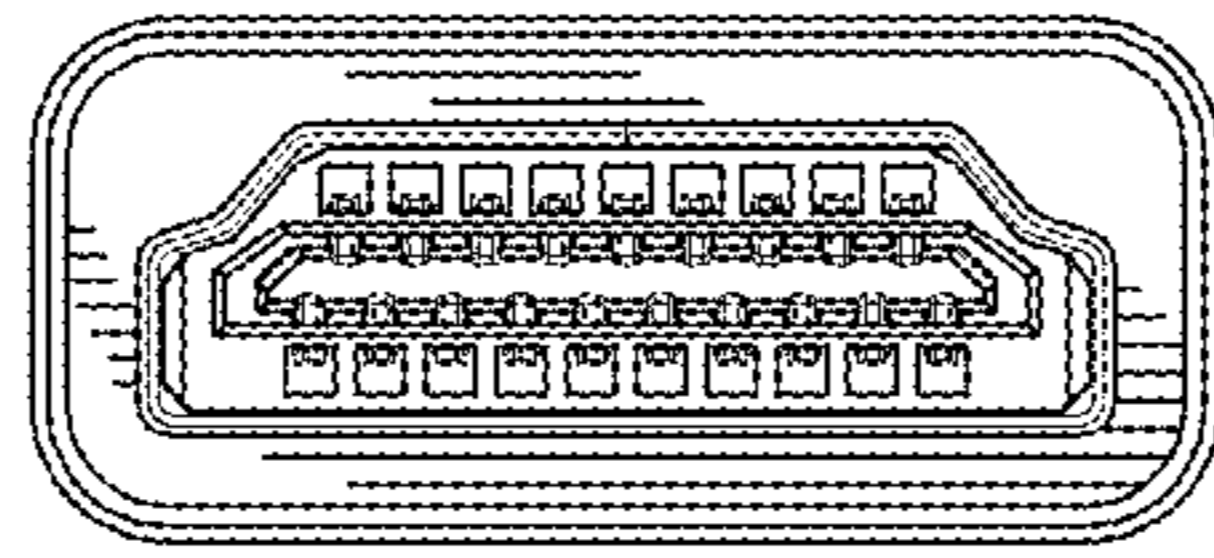


FIG. 7

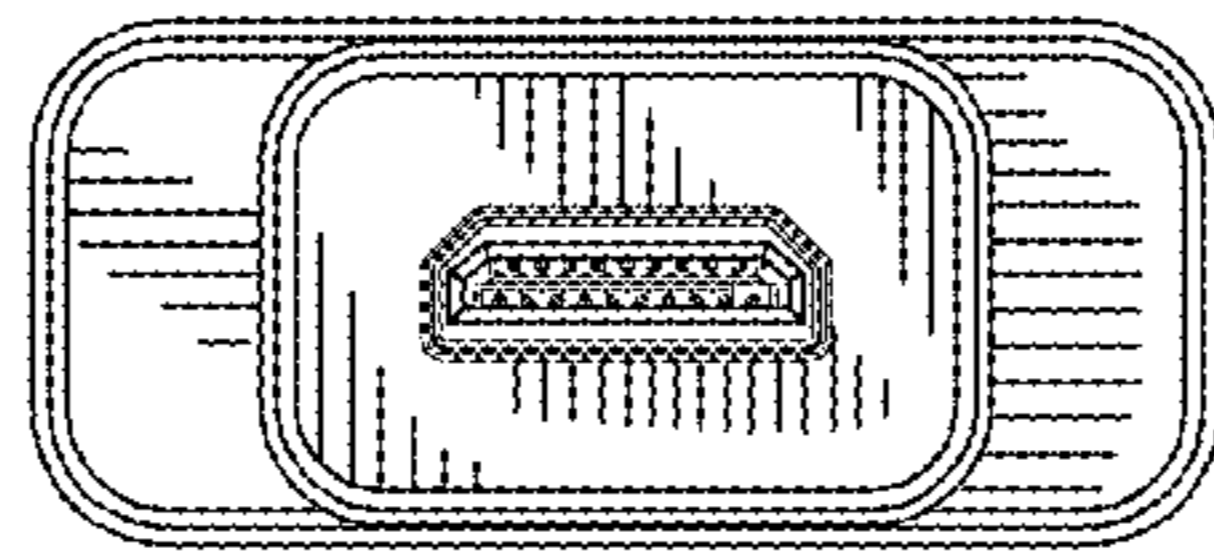


FIG. 8