



US00D692389S

(12) **United States Design Patent**
Natoli et al.

(10) **Patent No.:** **US D692,389 S**
(45) **Date of Patent:** **** Oct. 29, 2013**

(54) **COAXIAL CABLE CONNECTOR**

(75) Inventors: **Christopher P. Natoli**, Fulton, NY (US);
Adam T. Nugent, Canastota, NY (US);
Gerhard Refle, Heretsried (DE);
Bernhard Strasser, DLG-Steinheim
(DE); **Werner Wild**, Buttenweissen (DE)

(73) Assignee: **John Mezzalingua Associates, Inc.**,
Liverpool, NY (US)

(**) Term: **14 Years**

(21) Appl. No.: **29/418,699**

(22) Filed: **Apr. 19, 2012**

(51) **LOC (9) Cl.** **13-03**

(52) **U.S. Cl.**
USPC **D13/151**

(58) **Field of Classification Search**
USPC D13/151, 133, 149, 150, 153, 154, 156,
D13/184, 199; 439/180, 207, 208, 256-257,
439/374, 378, 380, 527, 543, 578, 583, 585,
439/753, 805, 894, 901
See application file for complete search history.

(56) **References Cited**

U.S. PATENT DOCUMENTS

3,757,280 A * 9/1973 Staschewski 439/583
5,456,611 A * 10/1995 Henry et al. 439/180

D397,413 S * 8/1998 Sapp D23/262
D517,496 S * 3/2006 Montena D13/151
7,144,273 B1 * 12/2006 Chawgo 439/583
D556,693 S * 12/2007 Montena D13/151
D605,135 S * 12/2009 Malloy D13/151
2003/0162439 A1 * 8/2003 Rodrigues et al. 439/578

* cited by examiner

Primary Examiner — Derrick Holland

(74) *Attorney, Agent, or Firm* — Hiscock & Barclay LLP

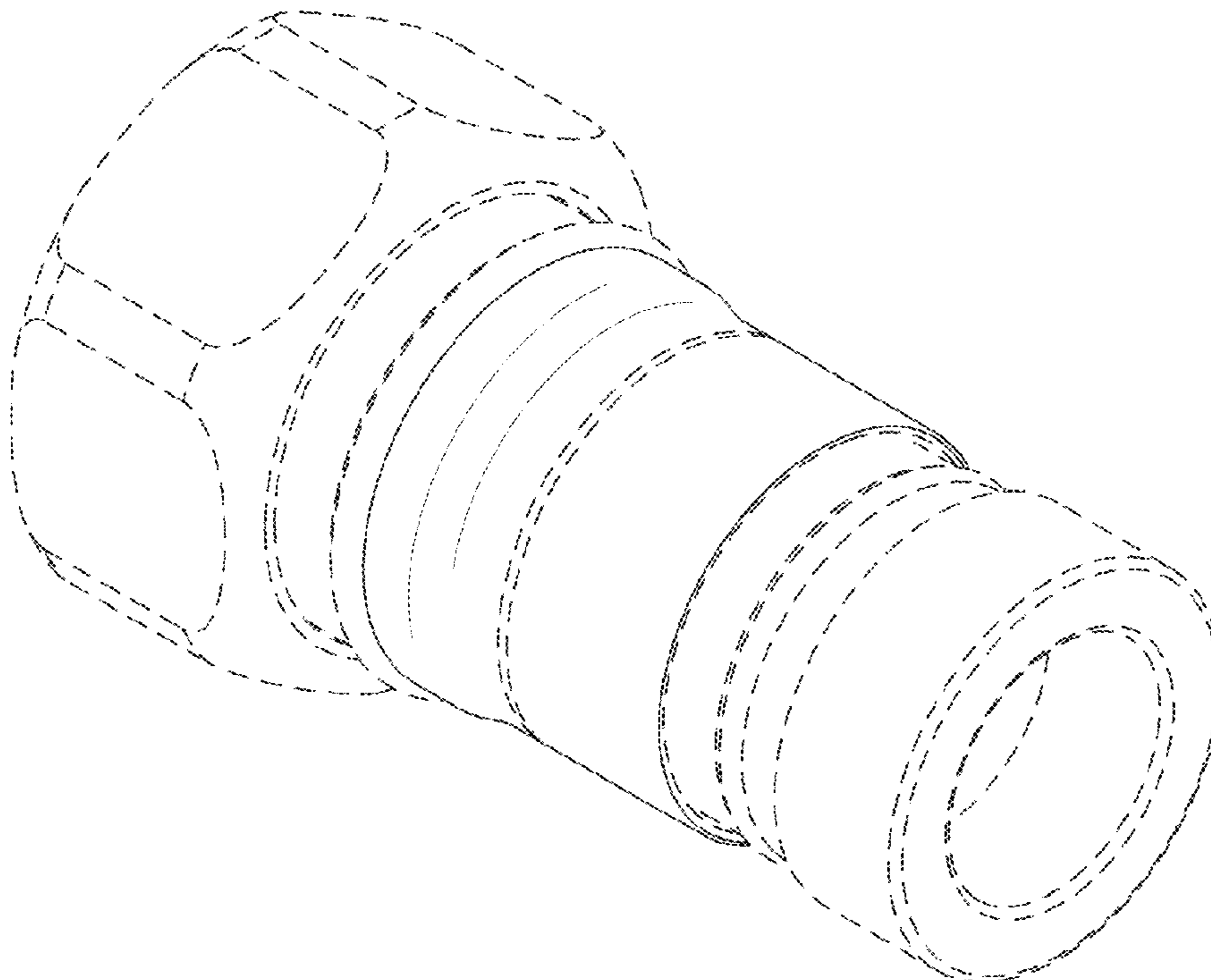
(57) **CLAIM**

The ornamental design for a coaxial cable connector, as shown and described.

DESCRIPTION

FIG. 1 is a front perspective view of a coaxial cable connector showing our new design in use condition; FIG. 2 is a back perspective view thereof; FIG. 3 is a top plan view thereof, the bottom plan view being a mirror image; FIG. 4 is a left side elevation view thereof, the right side elevation being a mirror image; FIG. 5 is a front elevation view thereof; FIG. 6 is a back elevation view thereof; and, FIG. 7 is a front perspective view of the coaxial cable connector showing an unclaimed knurl pattern. The broken line portion of the figure drawings is included for the purpose of illustrating environment and forms no part of the claimed design.

1 Claim, 6 Drawing Sheets



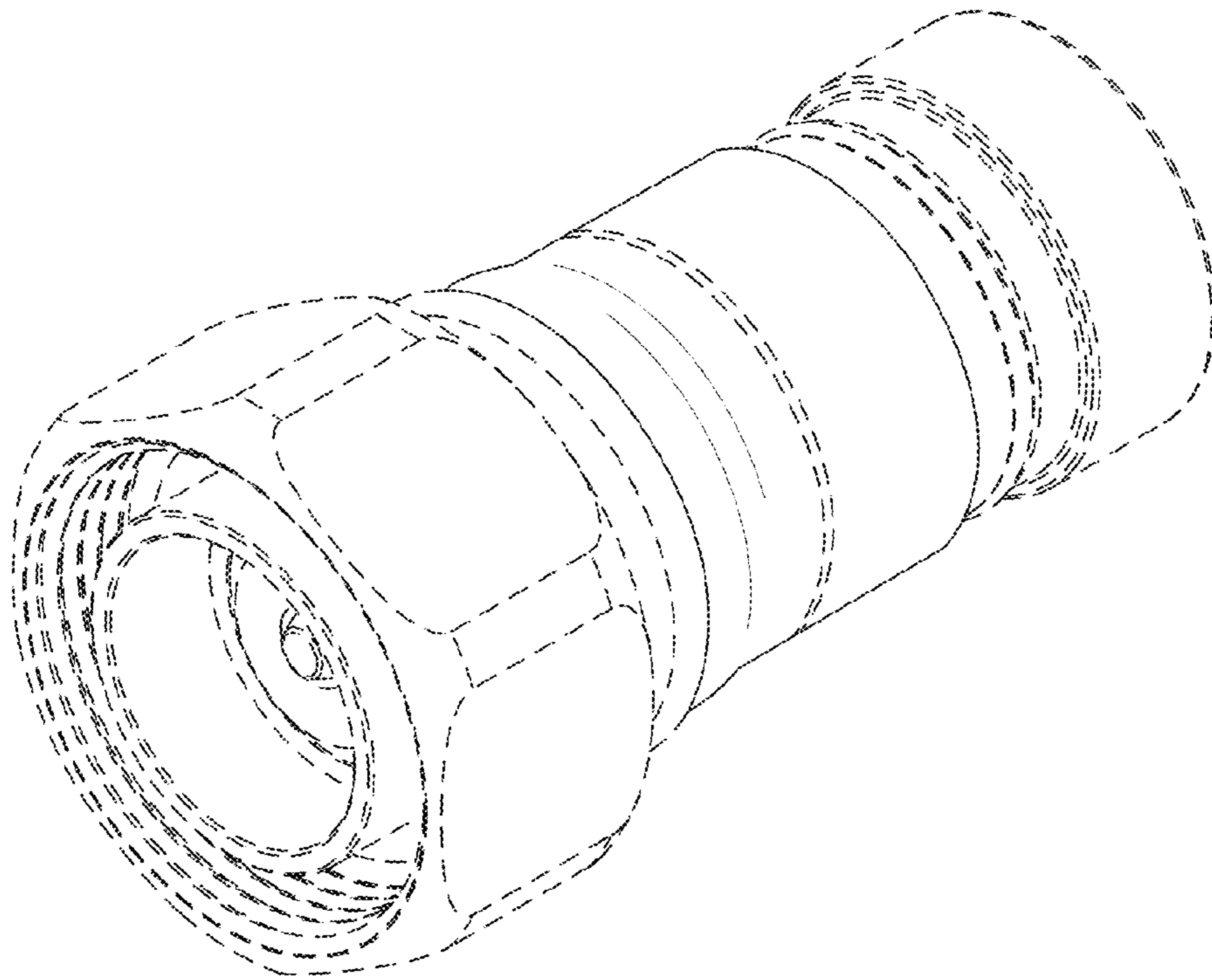


FIG.1

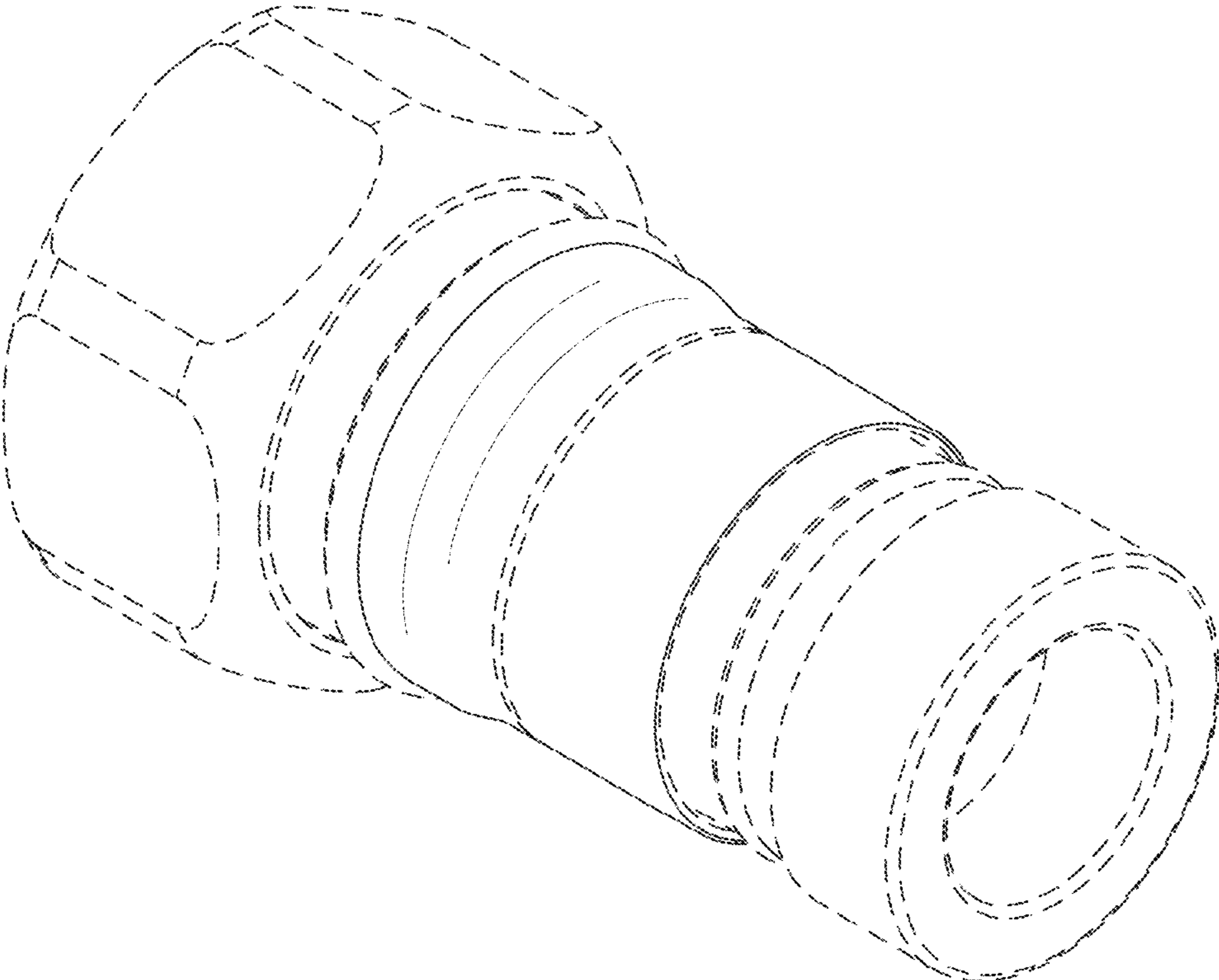


FIG.2

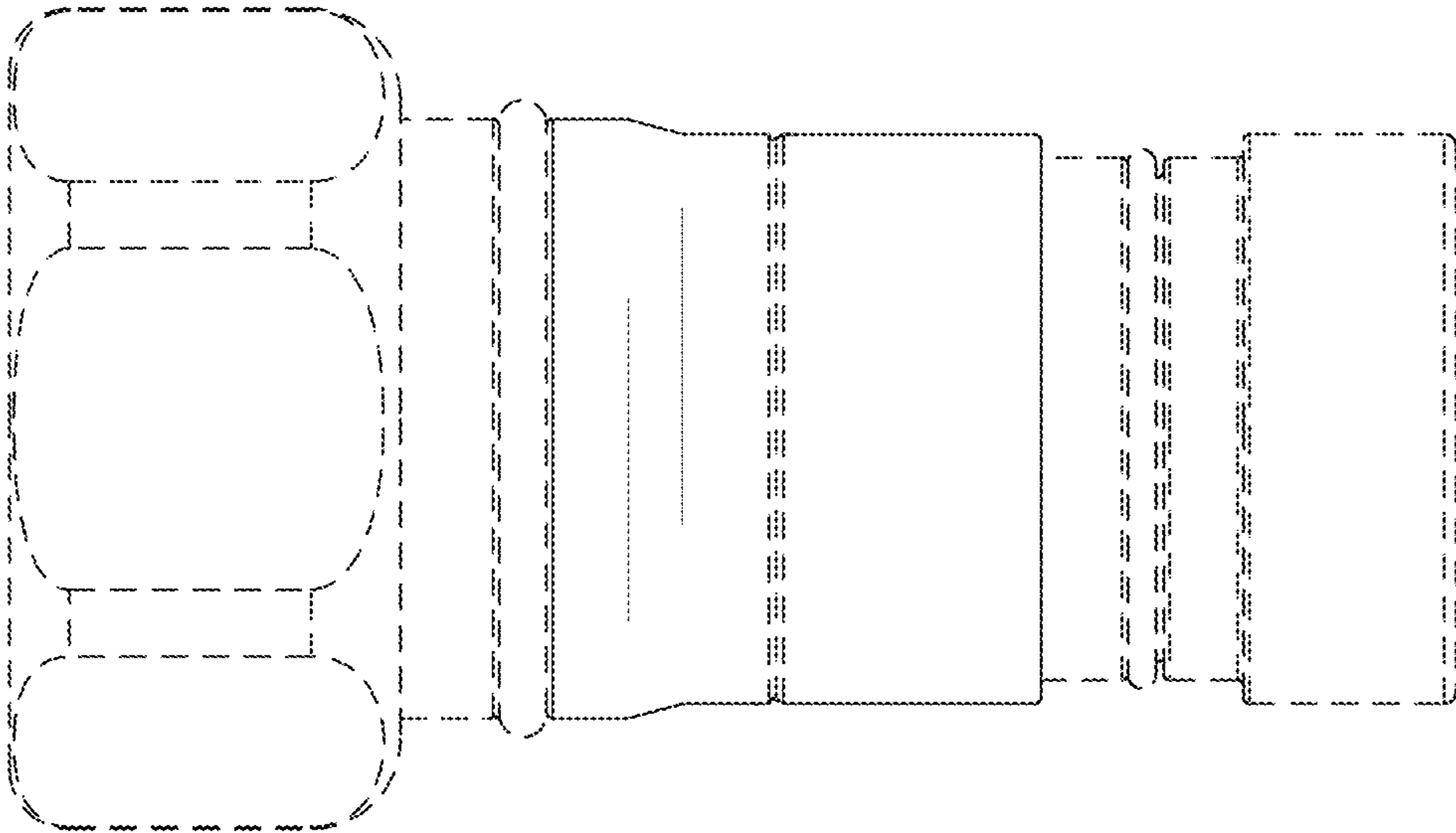


FIG.3

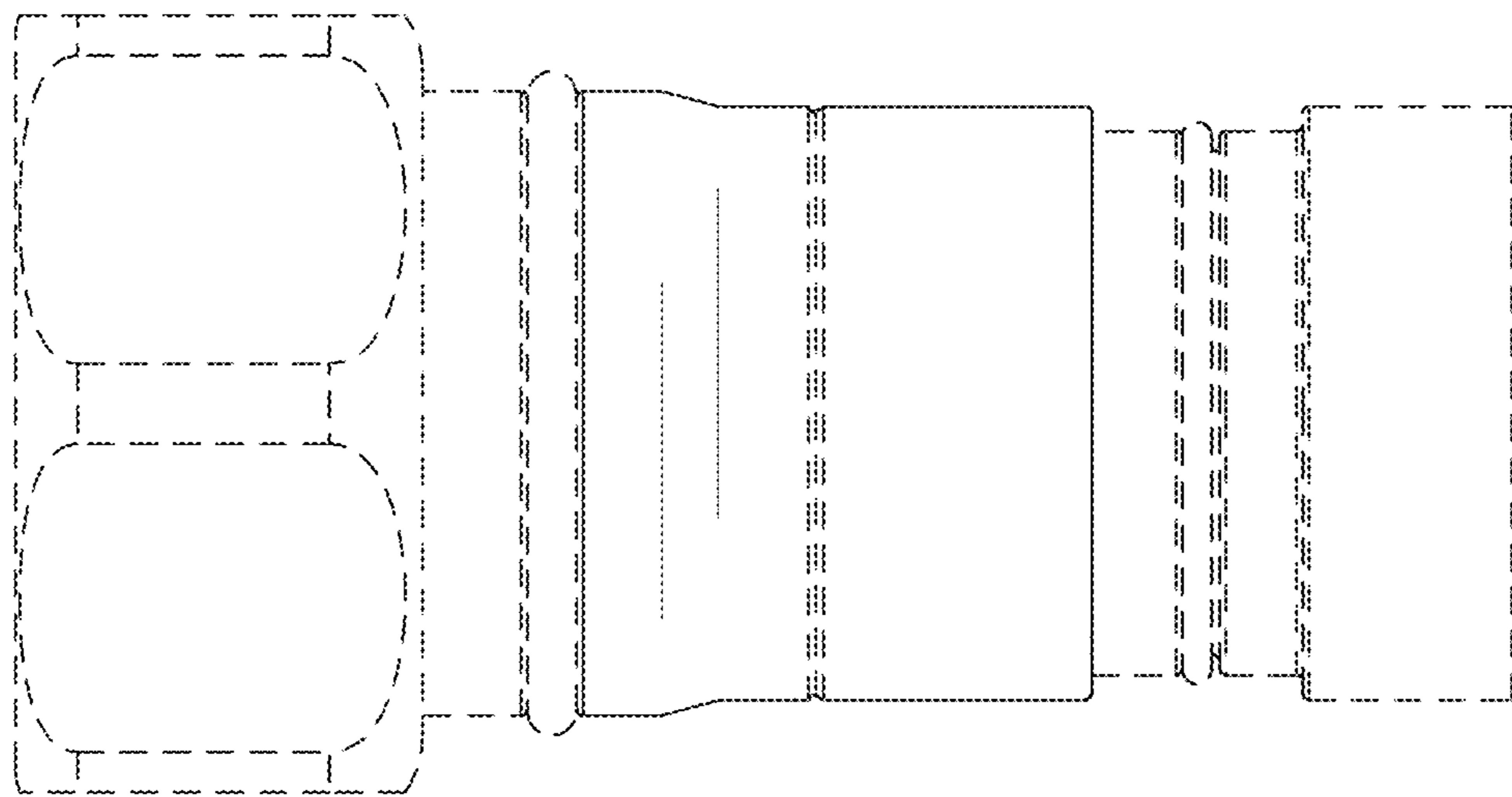


FIG.4

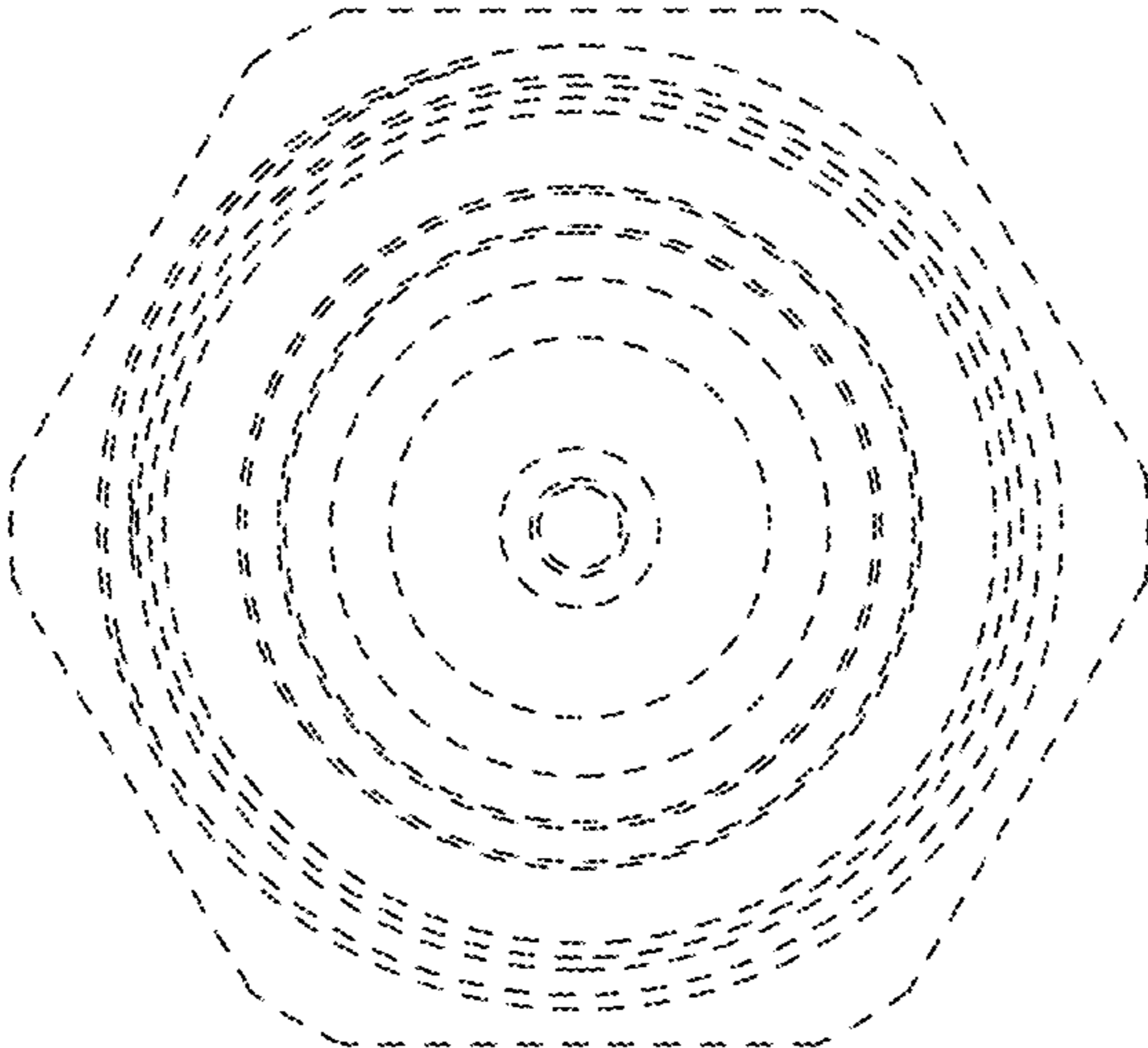


FIG. 5

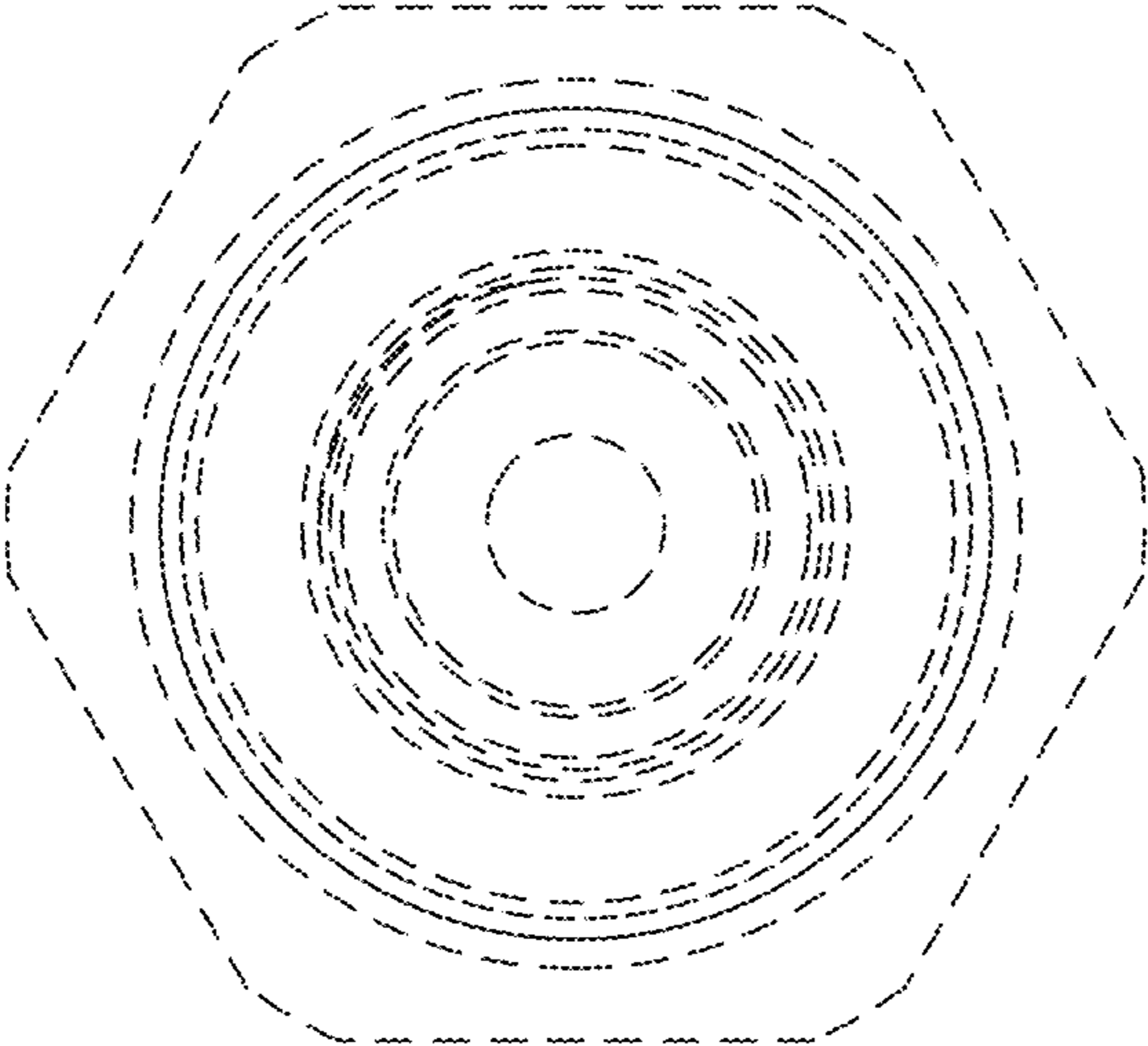


FIG. 6

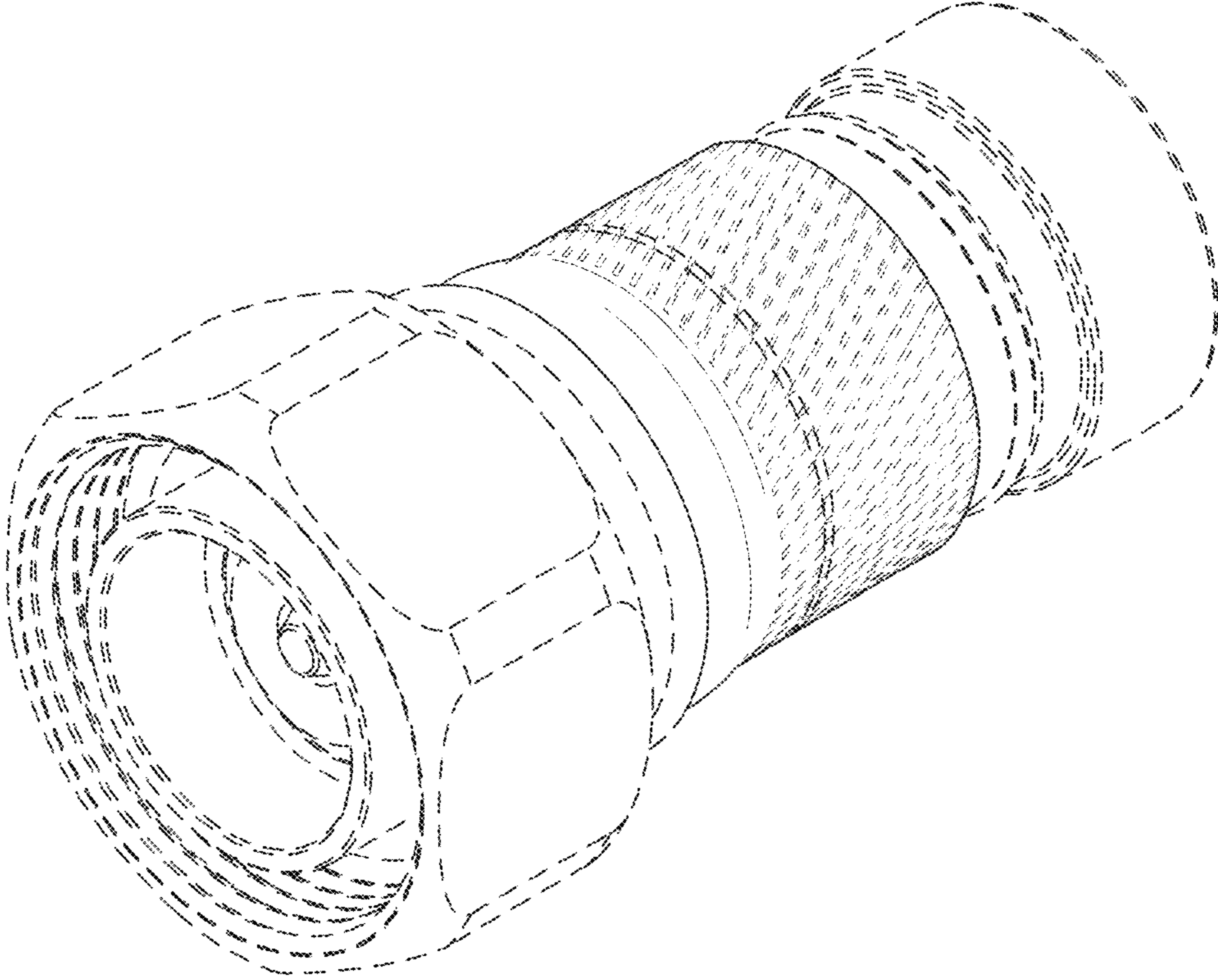


FIG.7