

US00D692388S

(12) **United States Design Patent**  
**Inomae**

(10) **Patent No.:** **US D692,388 S**  
(45) **Date of Patent:** **\*\* Oct. 29, 2013**

(54) **ELECTRIC CONNECTOR**

FOREIGN PATENT DOCUMENTS

(75) Inventor: **Koichi Inomae**, Machida (JP)  
(73) Assignee: **Dai-Ichi Seiko Co., Ltd.**, Kyoto-shi (JP)  
(\*\*) Term: **14 Years**

JP	D1180010	7/2003
JP	D1399503	10/2010
JP	D1399902	10/2010
JP	D1399903	10/2010
JP	D1406058	1/2011
JP	D1407135	2/2011

\* cited by examiner

(21) Appl. No.: **29/418,798**

(22) Filed: **Apr. 20, 2012**

(30) **Foreign Application Priority Data**

Oct. 25, 2011 (JP) ..... 2011-024505

(51) **LOC (9) Cl.** ..... **13-03**

(52) **U.S. Cl.**  
USPC ..... **D13/147**

(58) **Field of Classification Search**  
USPC ..... D13/133, 147, 154, 184, 199; 439/64,  
439/79, 159-160, 260, 278, 325, 328, 381,  
439/395, 422, 630, 862, 892, 894  
See application file for complete search history.

(56) **References Cited**

U.S. PATENT DOCUMENTS

D500,985	S *	1/2005	Yamane et al.	.....	D13/147
D501,183	S *	1/2005	Yamane et al.	.....	D13/147
D507,534	S *	7/2005	Takahiro	.....	D13/147
D526,617	S *	8/2006	Yamane et al.	.....	D13/147
D600,209	S *	9/2009	Matoba	.....	D13/147
D654,029	S *	2/2012	Ozeki	.....	D13/147
D669,860	S *	10/2012	Sasaki	.....	D13/147
D673,505	S *	1/2013	Matoba et al.	.....	D13/147
2012/0322293	A1 *	12/2012	Shimada et al.	.....	439/350

*Primary Examiner* — Daniel Bui

(74) *Attorney, Agent, or Firm* — Oblon, Spivak, McClelland, Maier & Neustadt, L.L.P.

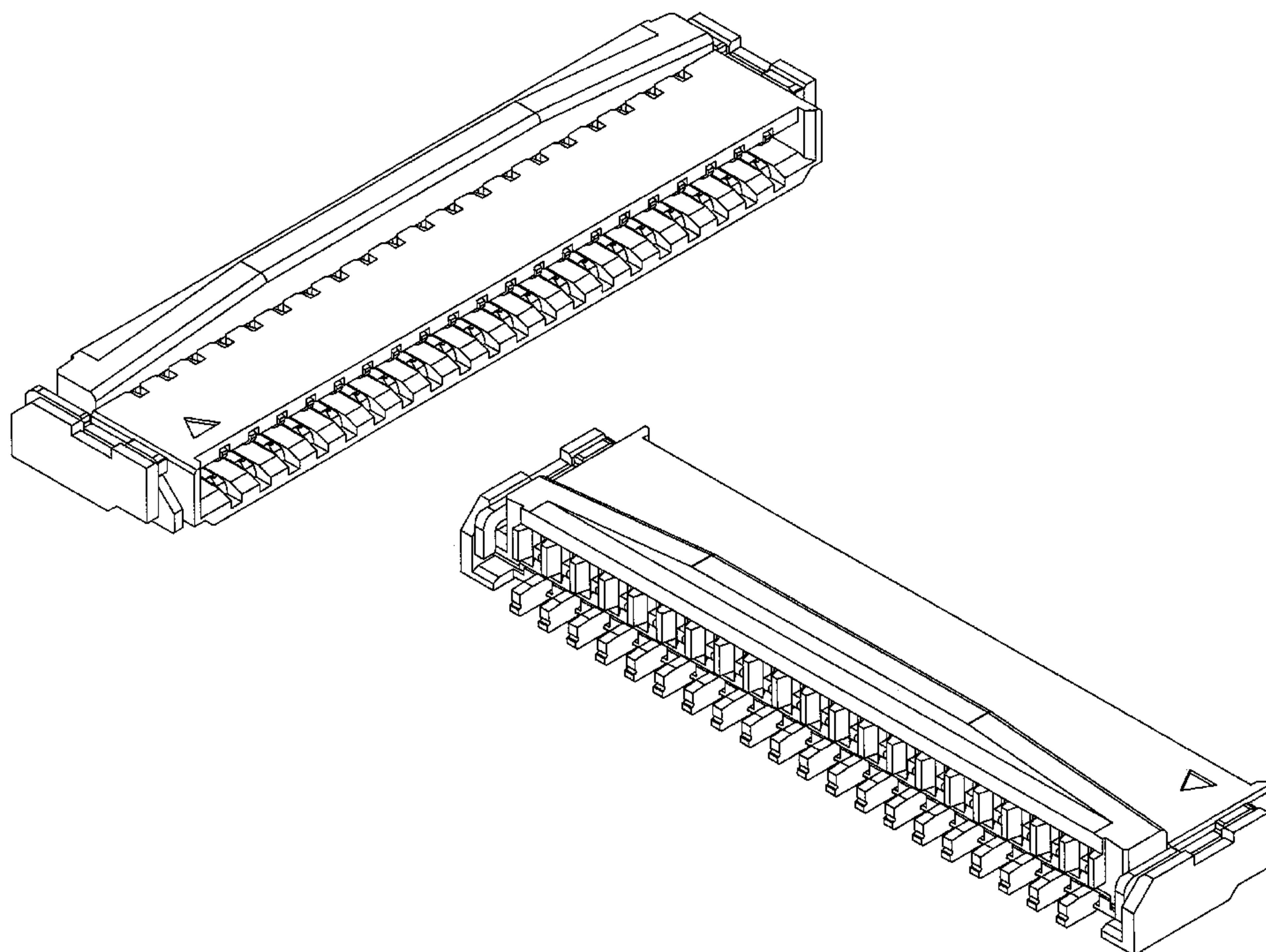
(57) **CLAIM**

The ornamental design for an electric connector, as shown and described.

**DESCRIPTION**

FIG. 1 is a front elevational view of an electric connector showing my new design;  
FIG. 2 is a top plan view thereof;  
FIG. 3 is a rear elevational view thereof;  
FIG. 4 is a bottom plan view thereof;  
FIG. 5 is a right side elevational view thereof;  
FIG. 6 is a cross-sectional view thereof, on an enlarged scale, taken along line 6-6 in FIG. 1;  
FIG. 7 is a front, top, and left side perspective view thereof;  
FIG. 8 is a rear, top, and left side perspective view thereof;  
and,  
FIG. 9 is a front, top, and left side perspective view thereof, in a use condition.  
The broken lines in the drawings depict environmental subject matter only and form no part of the claimed design.

**1 Claim, 9 Drawing Sheets**



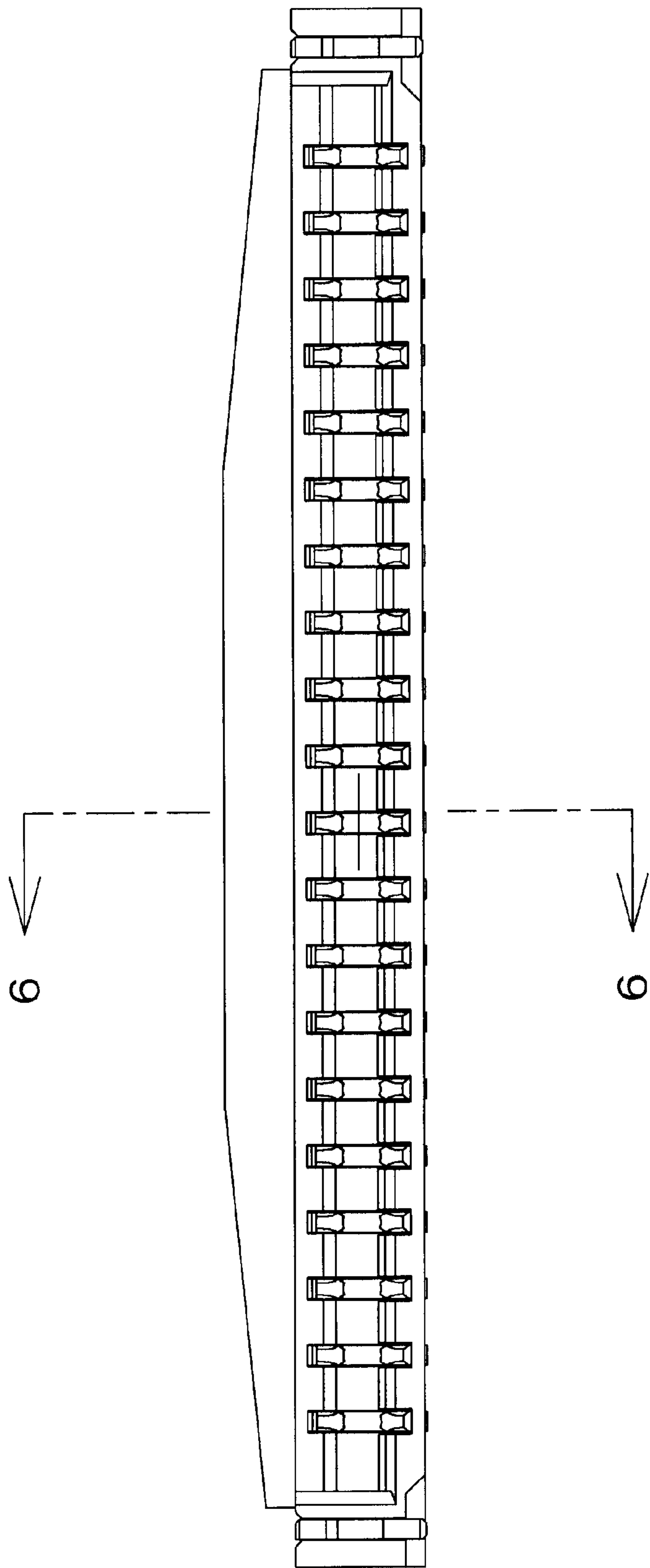


FIG. 1

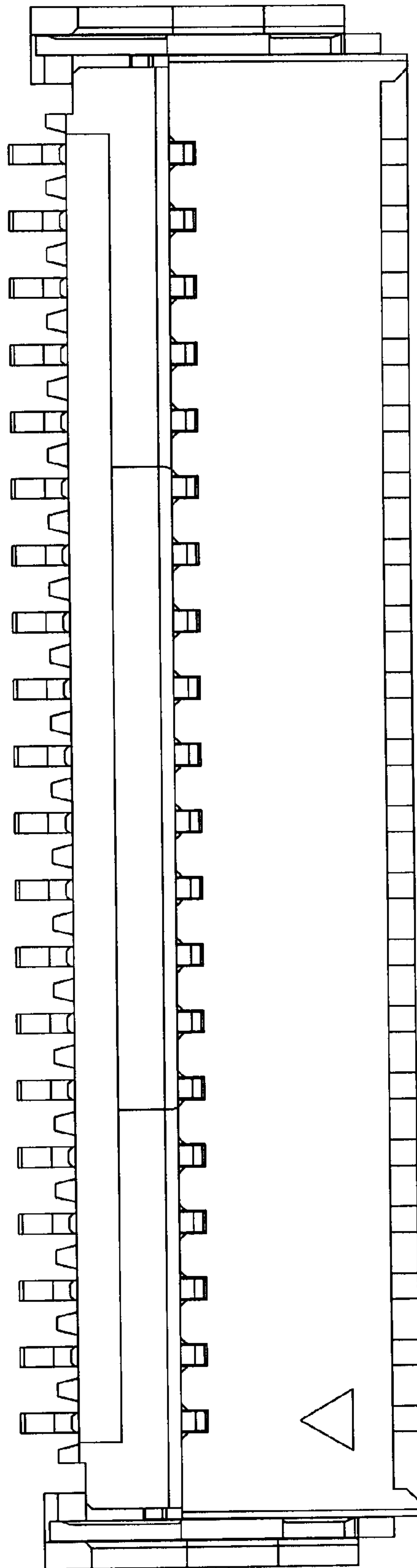


FIG. 2

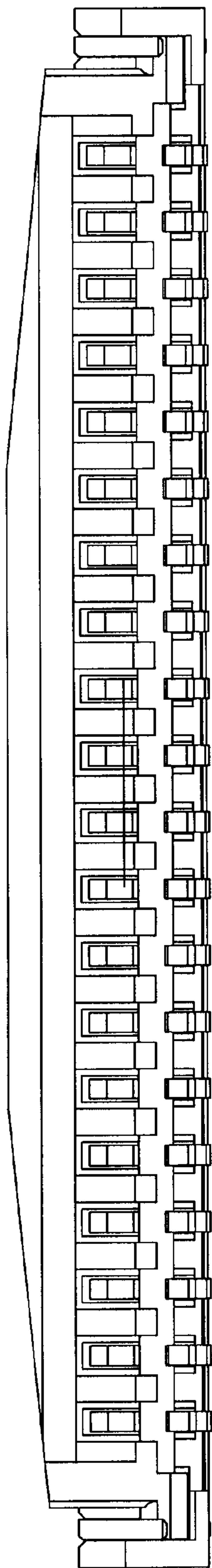


FIG. 3

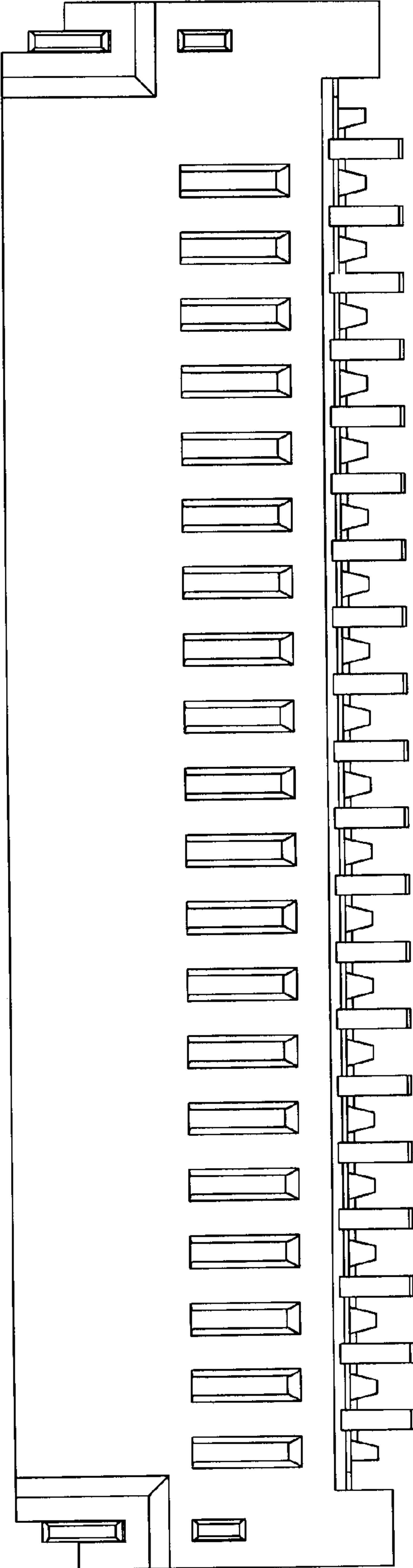


FIG. 4

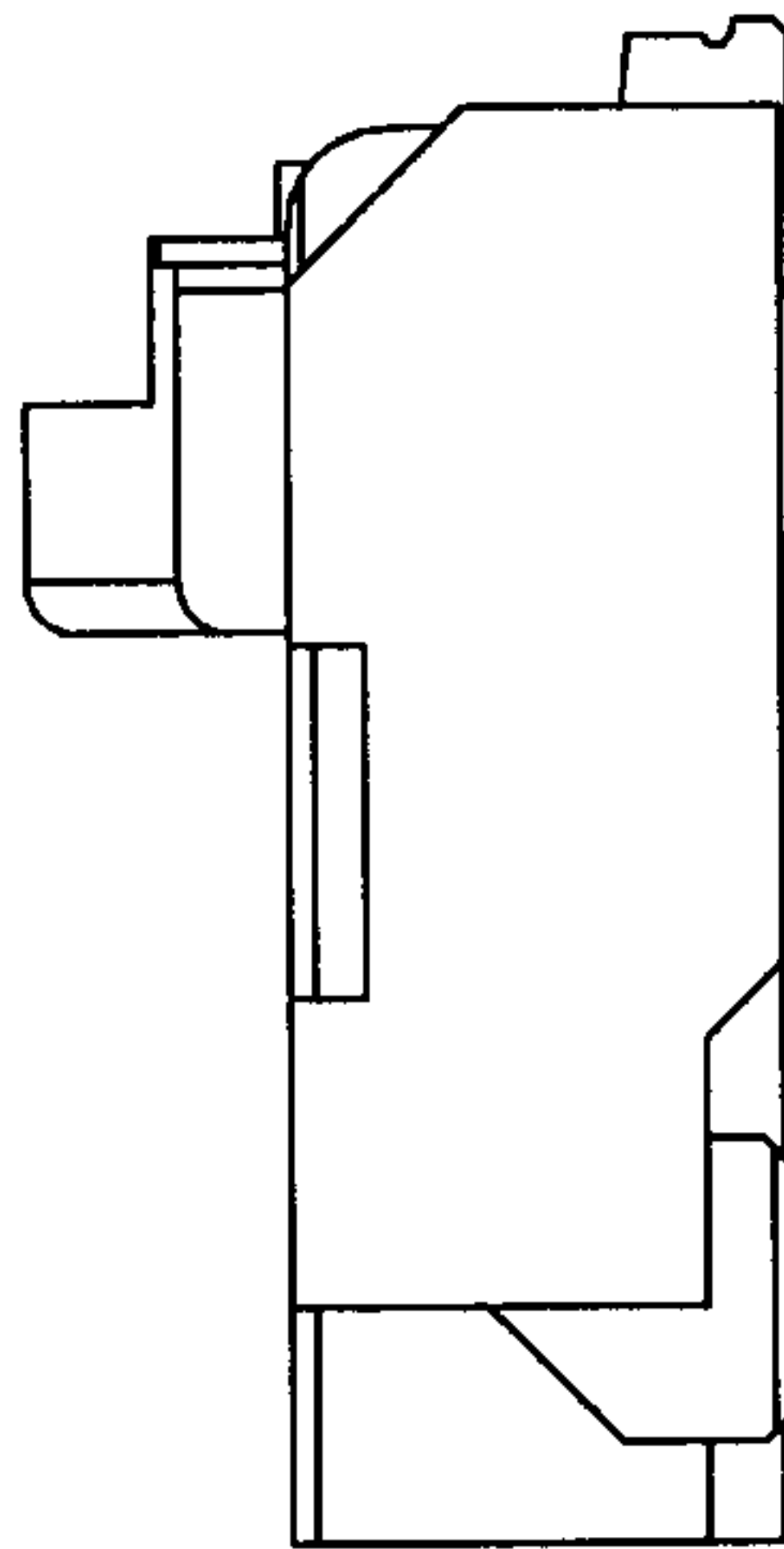


FIG. 5

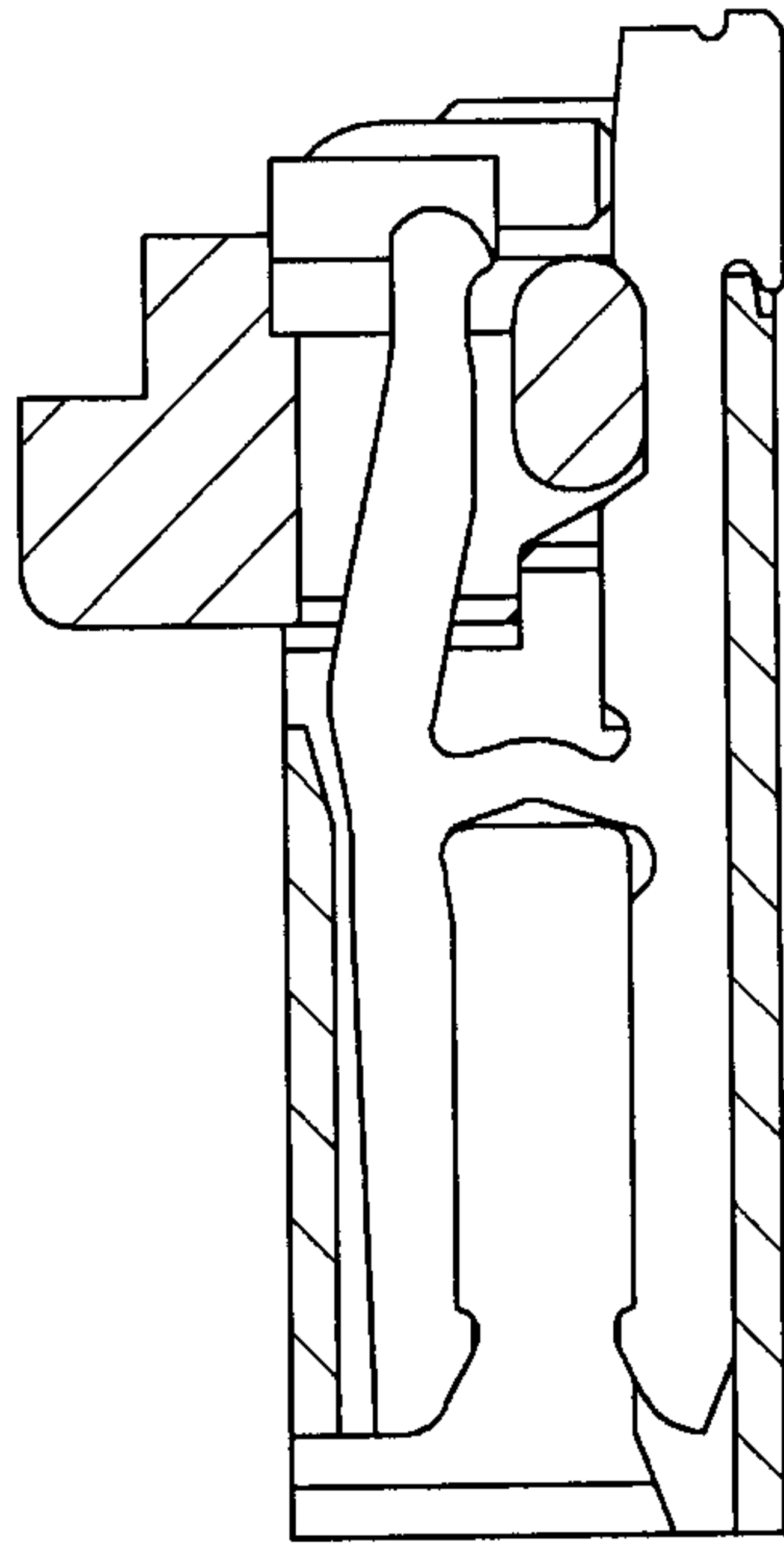


FIG. 6



FIG. 7

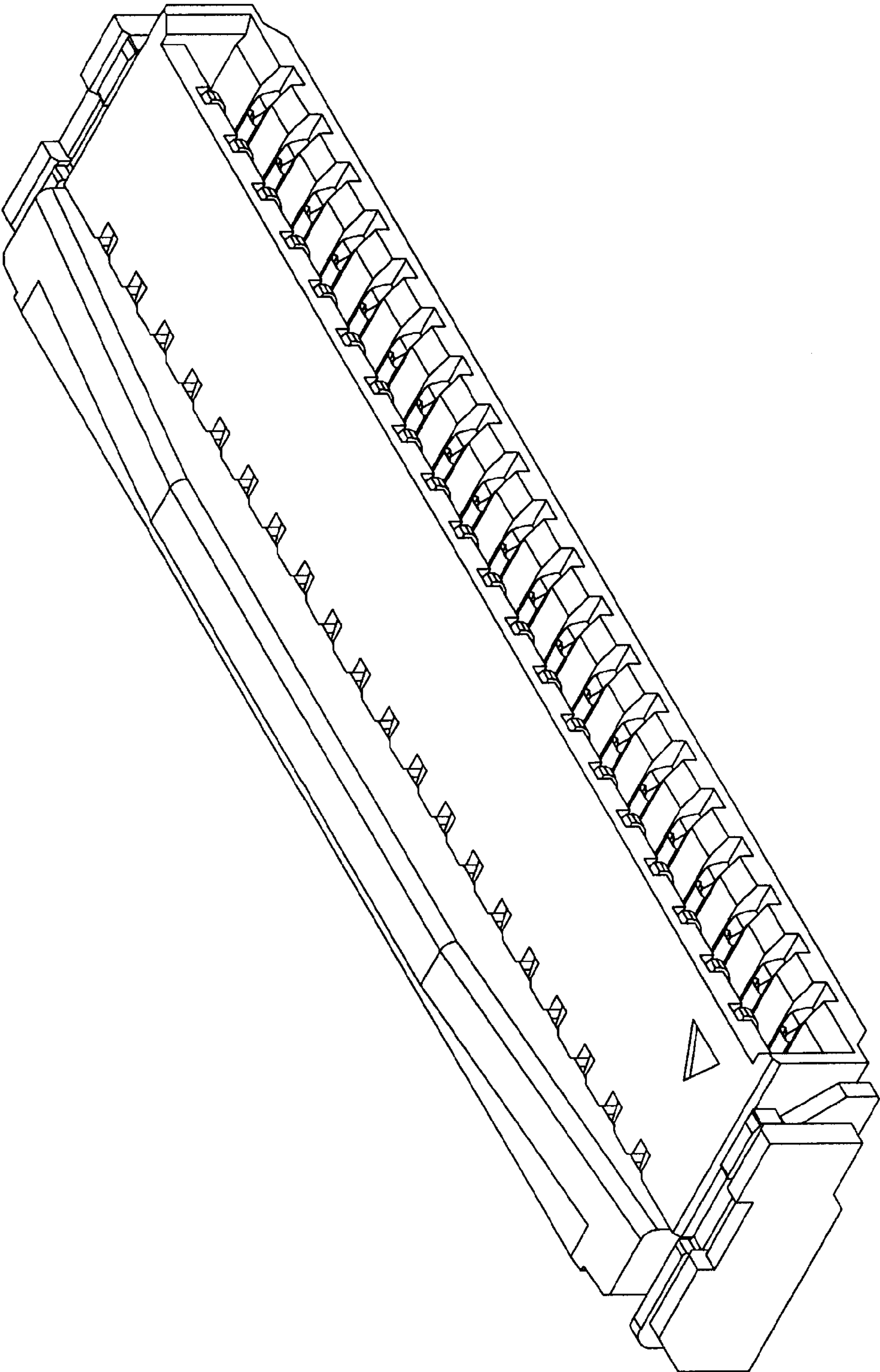
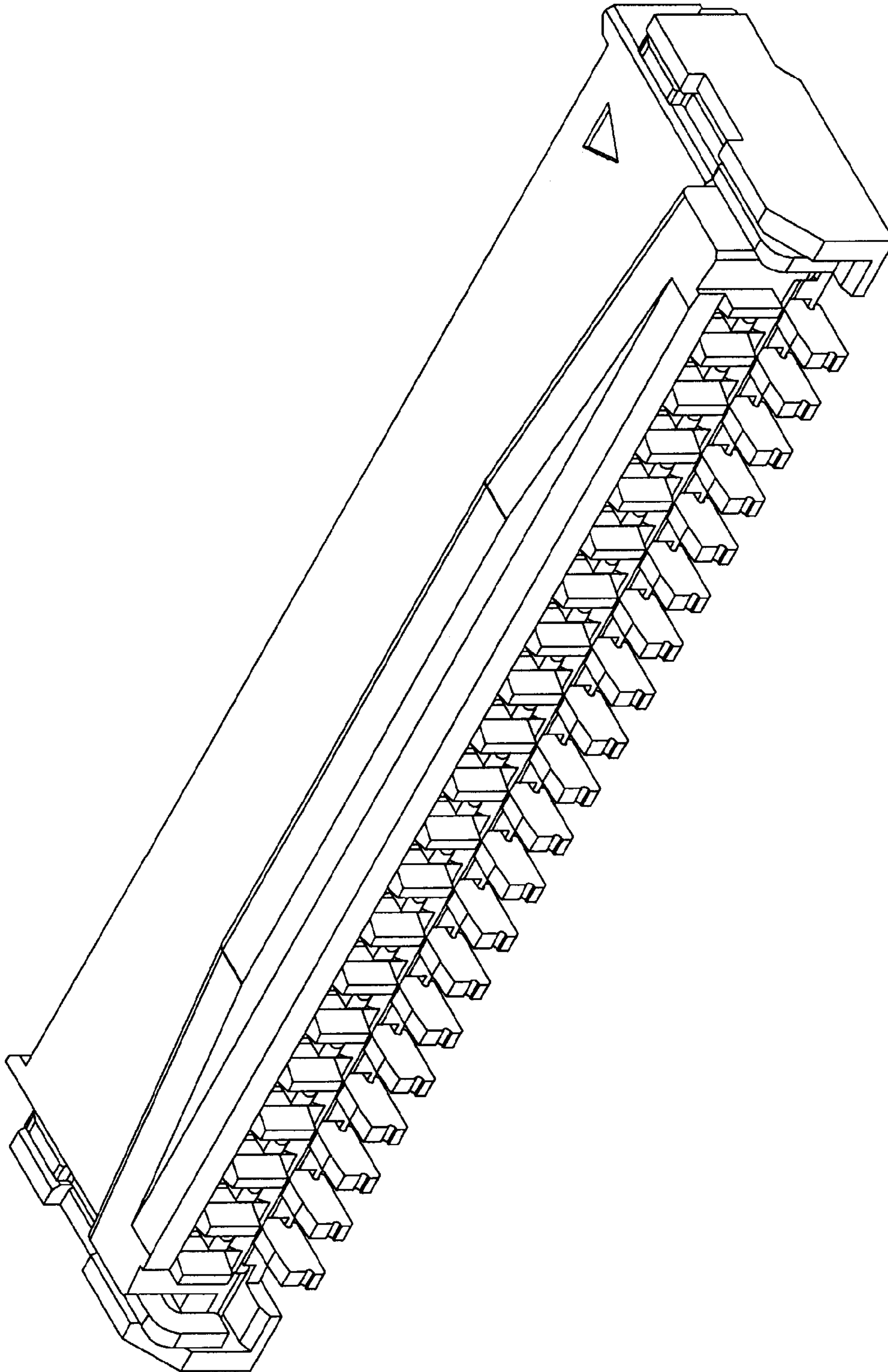




FIG. 8



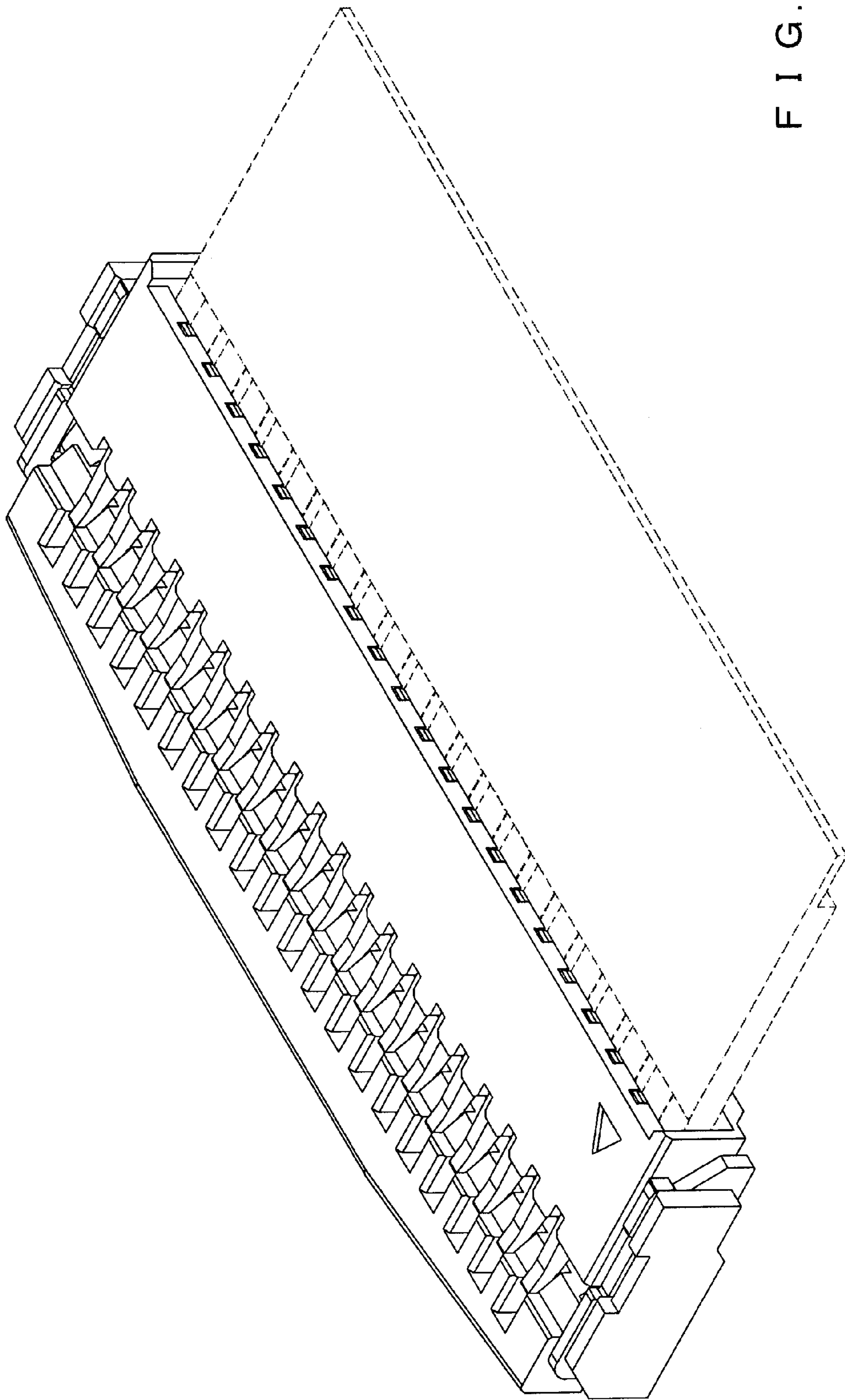


FIG. 9