



US00D692387S

(12) **United States Design Patent**
Suzuki et al.

(10) **Patent No.:** **US D692,387 S**
(45) **Date of Patent:** **** Oct. 29, 2013**

(54) **ELECTRICAL CONNECTOR PART**

(75) Inventors: **Toshikazu Suzuki**, Tokyo (JP); **Naoki Kadowaki**, Tokyo (JP); **Yusuke Inoue**, Tokyo (JP)

(73) Assignee: **Japan Aviation Electronics Industry, Limited**, Tokyo (JP)

(**) Term: **14 Years**

(21) Appl. No.: **29/423,775**

(22) Filed: **Jun. 5, 2012**

(30) **Foreign Application Priority Data**

Dec. 14, 2011 (JP) 2011-029053

(51) **LOC (9) Cl.** **13-03**

(52) **U.S. Cl.**
USPC **D13/146**

(58) **Field of Classification Search**

USPC D13/133, 146, 147, 154, 184; 439/79, 439/83, 557, 607.01, 607.04, 607.05, 439/607.17, 607.25, 607.31, 607.34, 439/607.41, 607.53, 620.06, 620.15, 439/620.21, 620.31, 660

See application file for complete search history.

(56) **References Cited**

U.S. PATENT DOCUMENTS

D286,397 S * 10/1986 Challans D13/133
4,679,013 A * 7/1987 Farrar et al. 333/182

D314,943 S *	2/1991	Tajima	D13/147
D315,545 S *	3/1991	Akaba et al.	D13/147
D350,955 S *	9/1994	Pucci et al.	D13/146
D367,039 S *	2/1996	Loh	D13/147
D451,476 S *	12/2001	Wang et al.	D13/147
D460,050 S *	7/2002	Haines et al.	D13/147
D474,449 S *	5/2003	Rosander	D13/147
D552,034 S *	10/2007	Hobson et al.	D13/133
D558,679 S *	1/2008	Chen et al.	D13/154
D647,854 S	11/2011	Lin	

* cited by examiner

Primary Examiner — Daniel Bui

(74) *Attorney, Agent, or Firm* — Cermak Nakajima LLP; Tomoko Nakajima

(57) **CLAIM**

The ornamental design for an electrical connector part, as shown and described.

DESCRIPTION

FIG. 1 is a front elevational view of an electrical connector part showing our new design;

FIG. 2 is a top plan view thereof;

FIG. 3 is a right side elevational view thereof;

FIG. 4 is a left side elevational view thereof; and

FIG. 5 is a bottom plan view thereof.

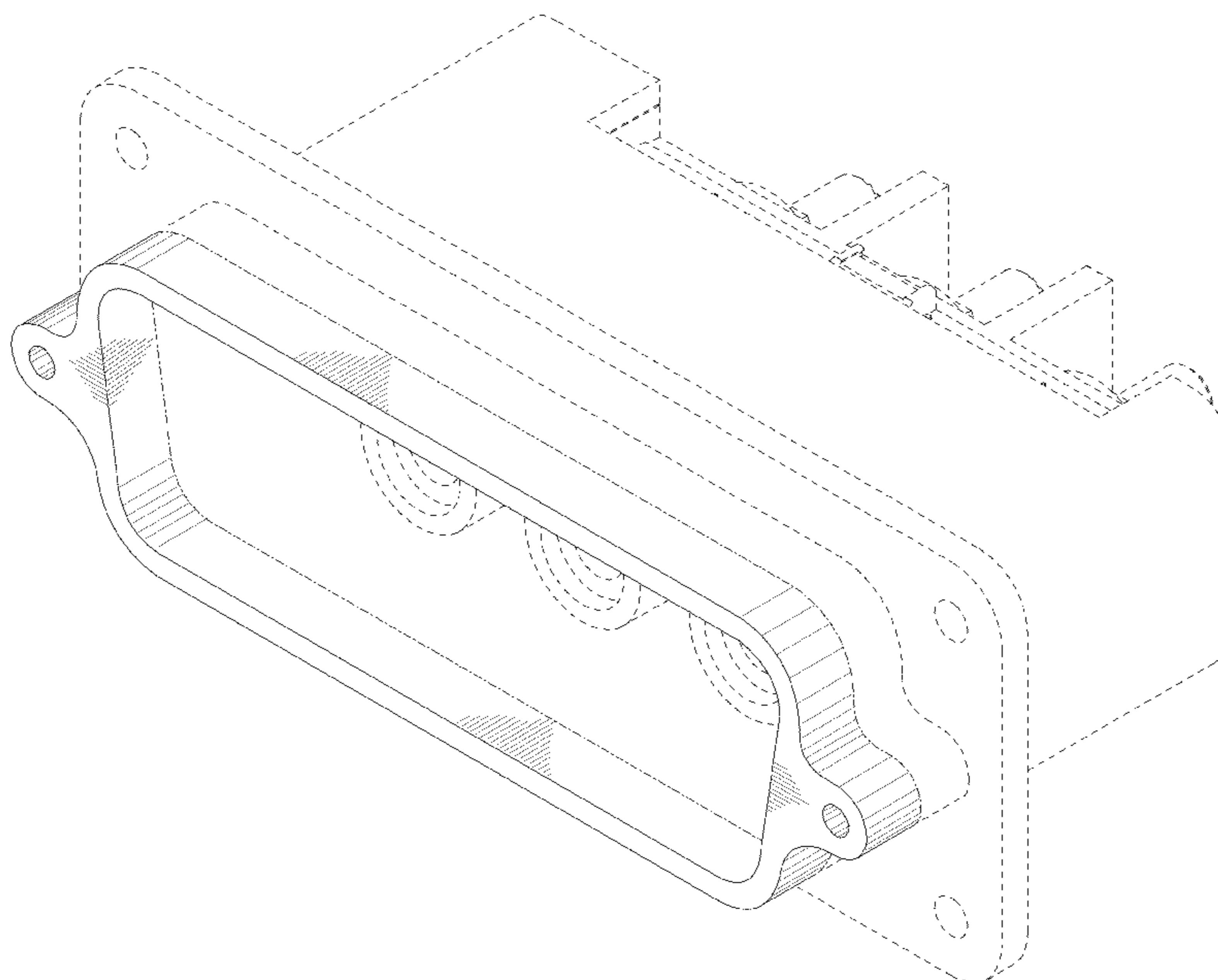
FIG. 6 is a front and top perspective view thereof; and

FIG. 7 is a front and bottom perspective view thereof; and,

FIG. 8 is a rear elevational view thereof.

The even-broken line in the drawings is included to show unclaimed environment only and forms no part of the claimed design. The dash-dot broken line represents the boundary of the claimed design.

1 Claim, 8 Drawing Sheets



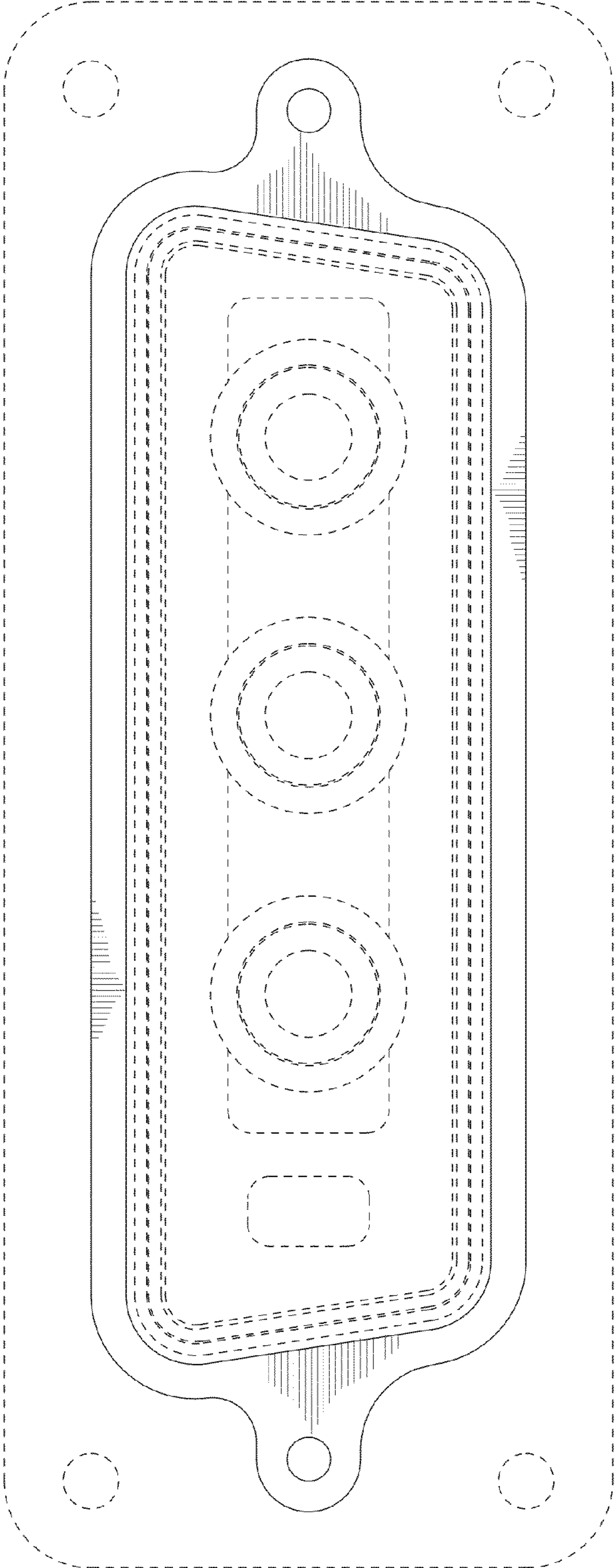


FIG.1

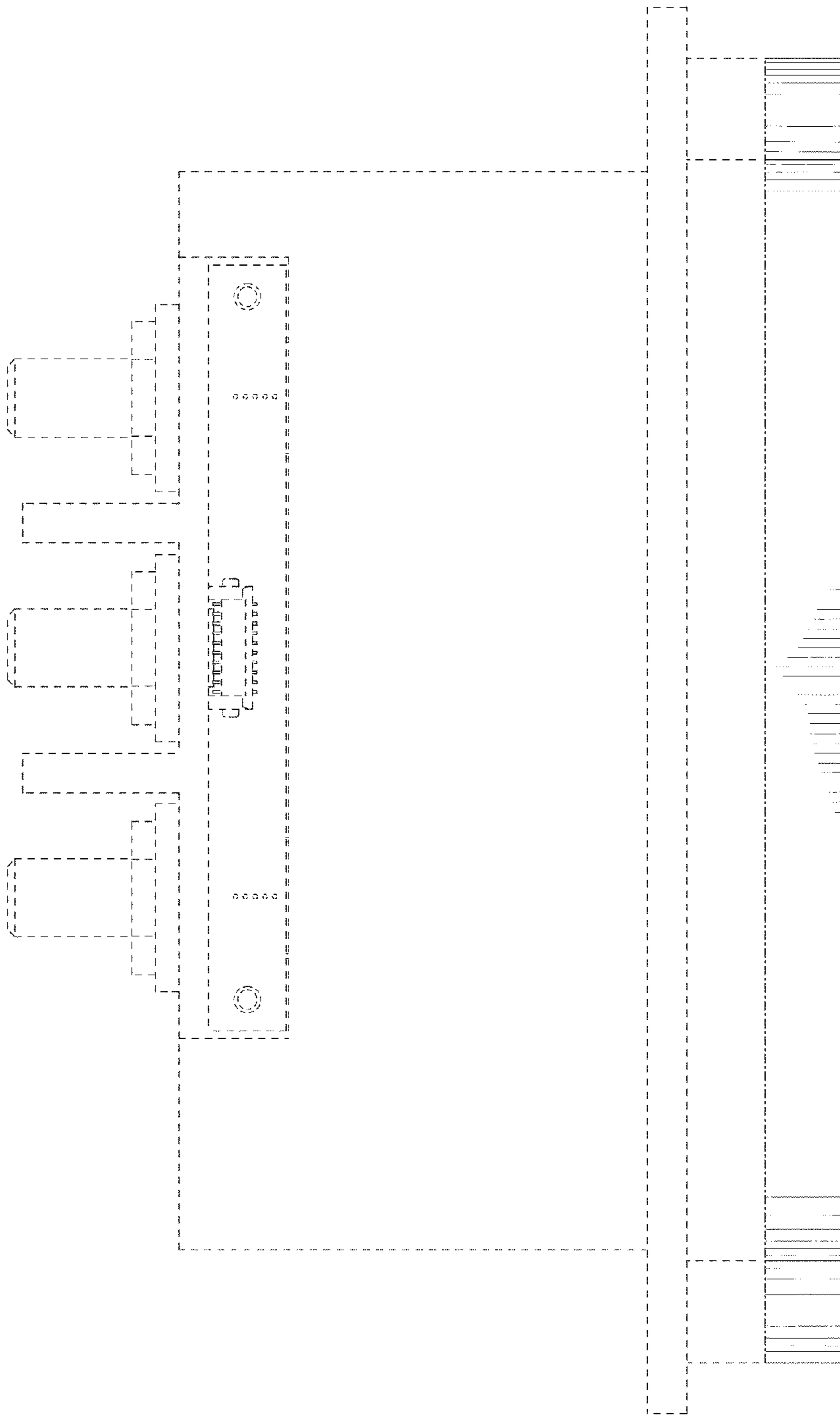


FIG.2

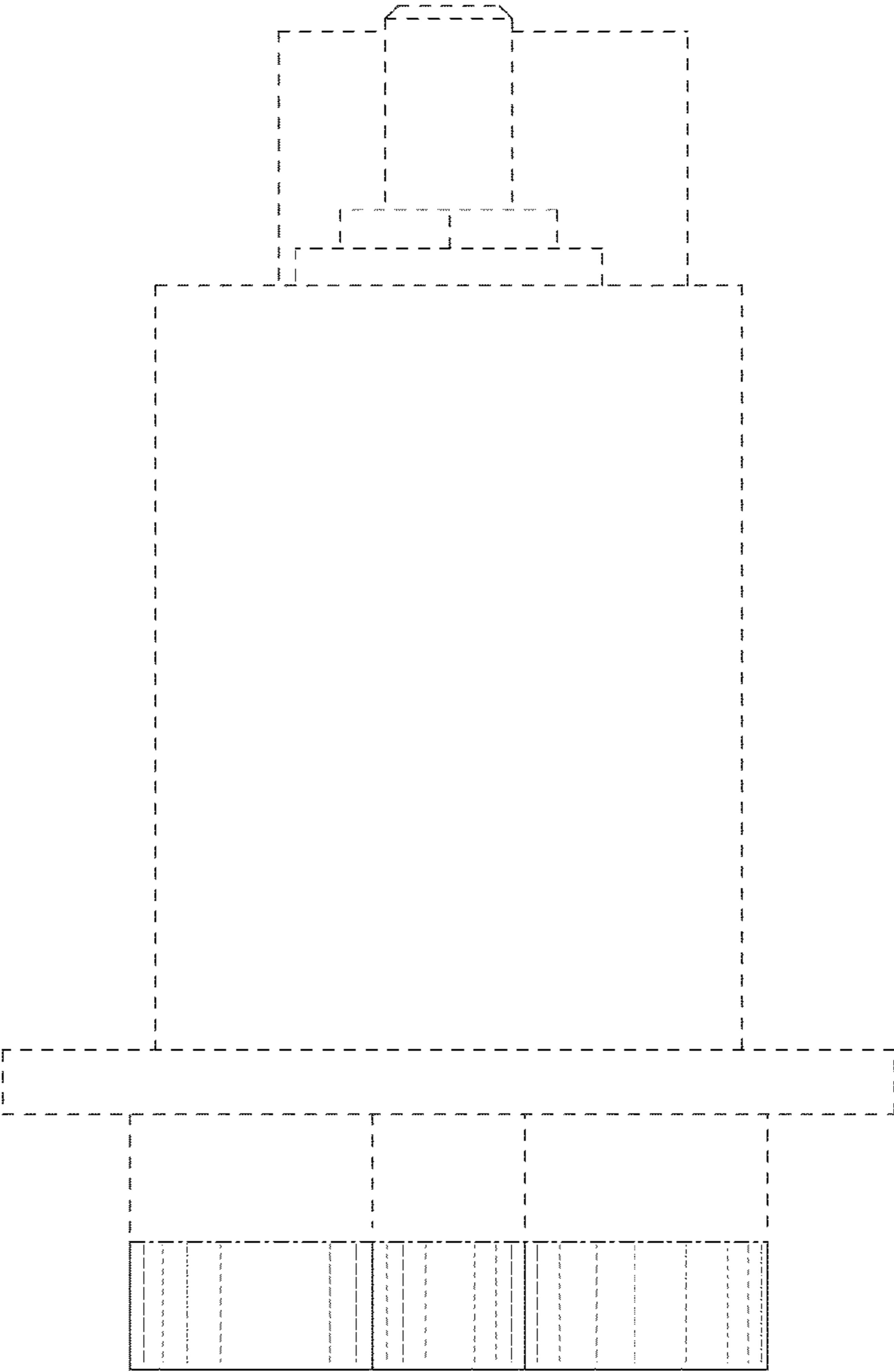


FIG.3

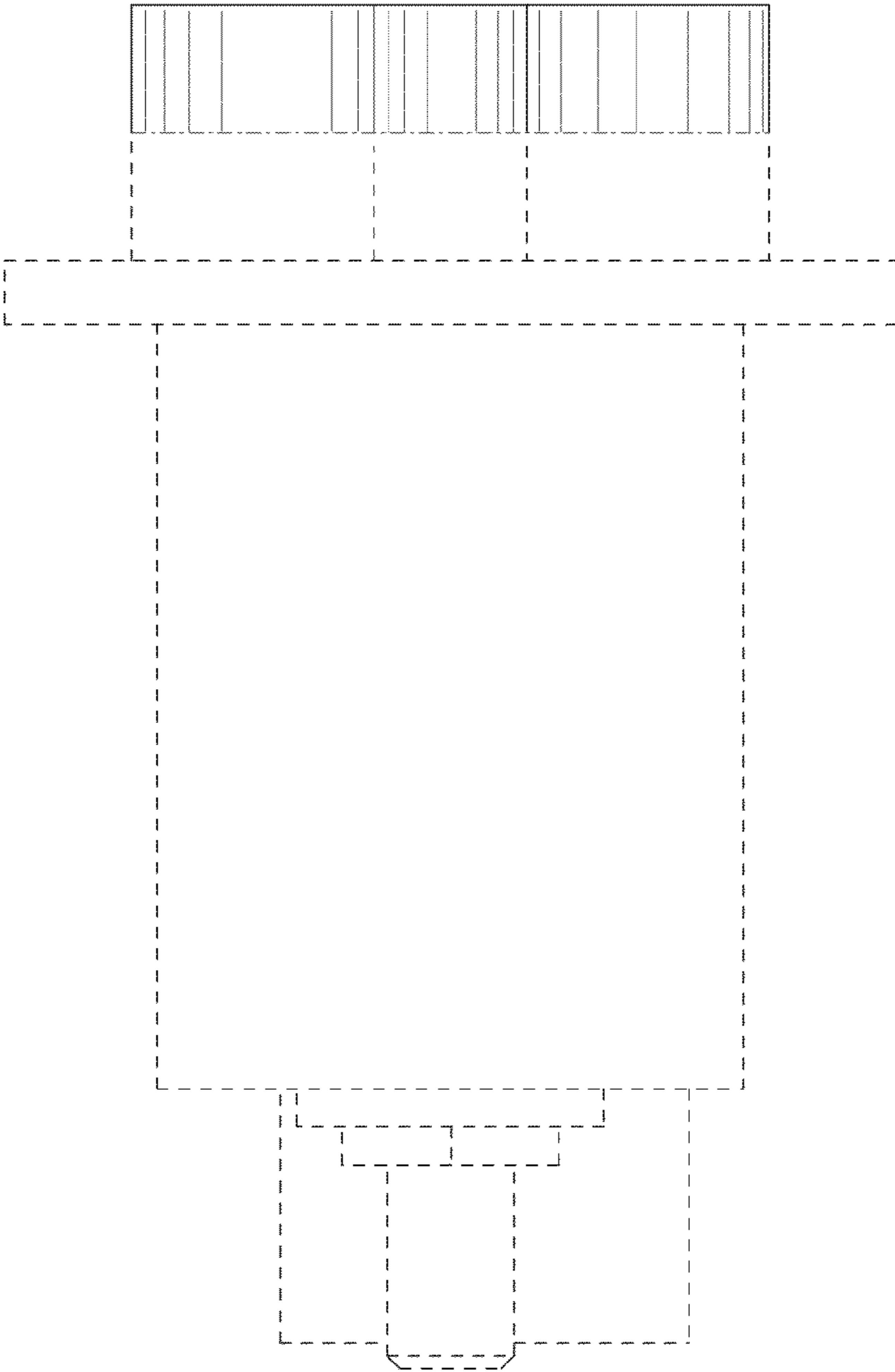


FIG.4

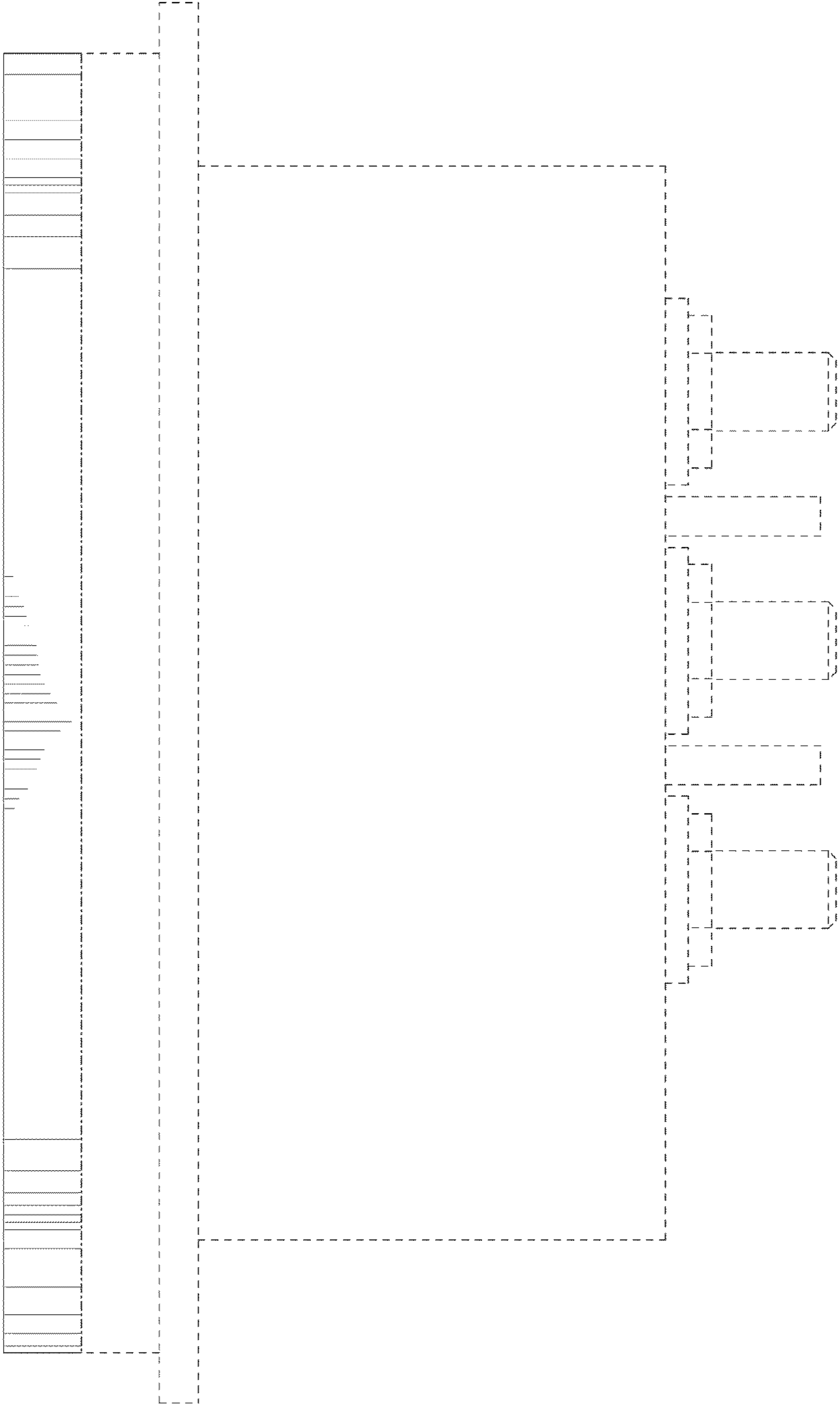


FIG.5

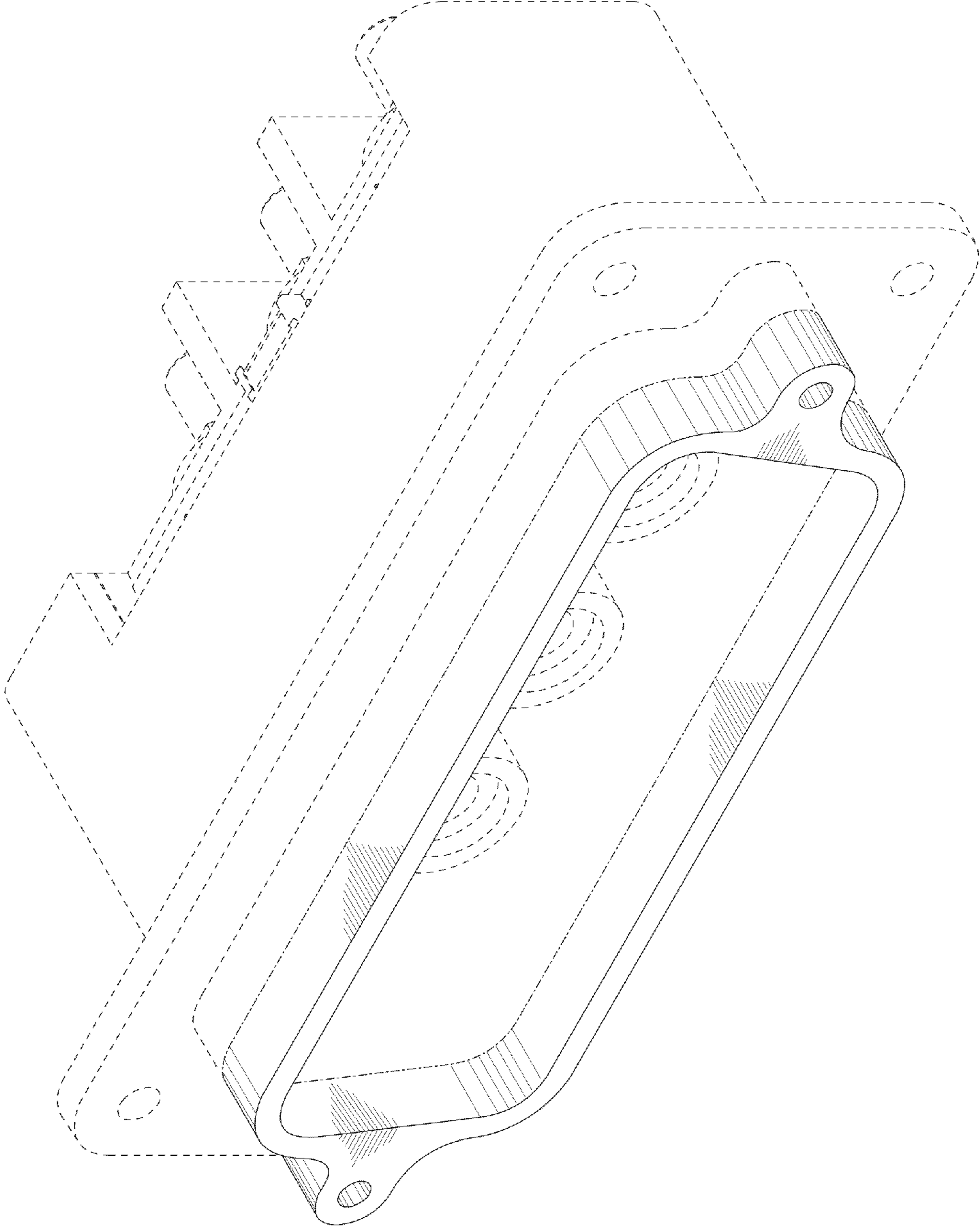


FIG.6

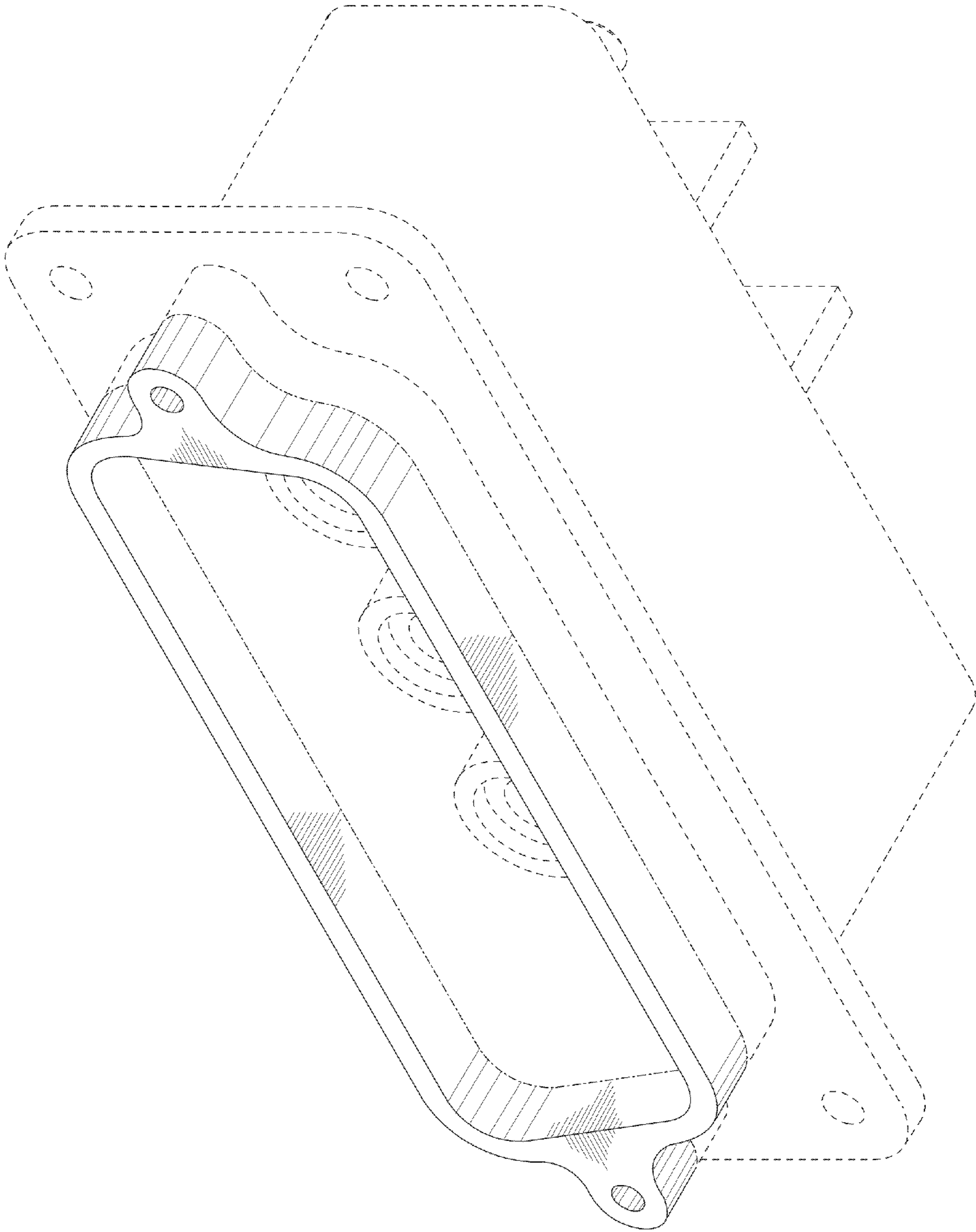


FIG.7

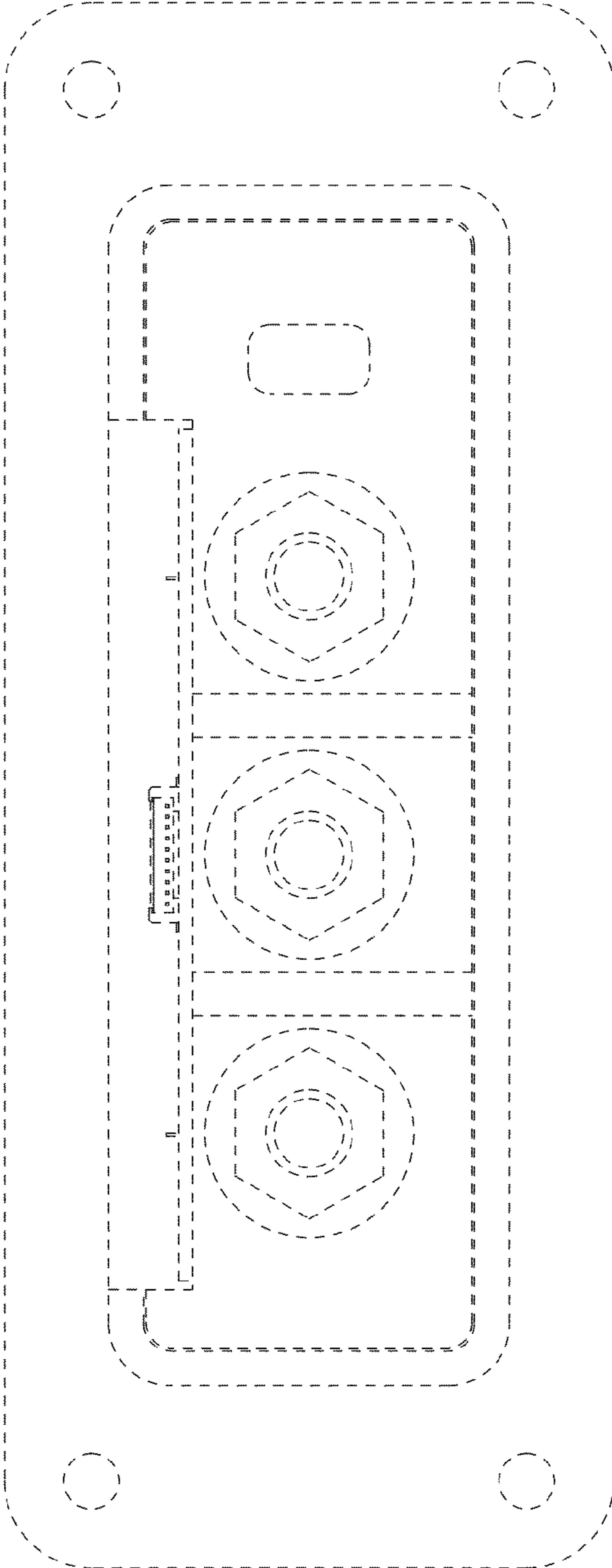


FIG. 8