

US00D692384S

(12) **United States Design Patent**
Galloway

(10) **Patent No.:** **US D692,384 S**

(45) **Date of Patent:** **** Oct. 29, 2013**

(54) **ELECTRIC PLUG HAVING A TACTILE INDICATOR**

(76) Inventor: **Bruce Galloway**, Charlottesville, VA (US)

(**) Term: **14 Years**

(21) Appl. No.: **29/429,487**

(22) Filed: **Aug. 12, 2012**

(51) **LOC (9) Cl.** **13-03**

(52) **U.S. Cl.**
USPC **D13/138.1**

(58) **Field of Classification Search**
USPC D13/133, 138.1, 139.1, 152, 153, 154, D13/156, 157; D14/184, 199, 205, 228, D14/238.1; 439/892, 894, 901; 379/431; D20/222; D9/415, 702, 711, 713, 715
See application file for complete search history.

(56) **References Cited**

U.S. PATENT DOCUMENTS

- D156,505 S * 12/1949 Greensbaum D13/138.1
- 2,675,531 A * 4/1954 Sams et al. 439/427
- 3,983,407 A * 9/1976 Shott 307/146

- D305,326 S * 1/1990 Clayton, Jr. D13/138.1
- D306,282 S * 2/1990 Arehart et al. D13/138.1
- D365,083 S * 12/1995 Hedrick D13/138.1
- D369,142 S * 4/1996 Hedrick D13/138.1
- D379,964 S * 6/1997 Maddock et al. D13/138.1
- D610,993 S * 3/2010 Fahrendorff et al. D13/138.1
- D611,409 S * 3/2010 Green et al. D13/110
- D635,919 S * 4/2011 Ahola et al. D13/138.1
- D651,975 S * 1/2012 Smith et al. D13/138.1

* cited by examiner

Primary Examiner — Robert M Spear

Assistant Examiner — Rhea Shields

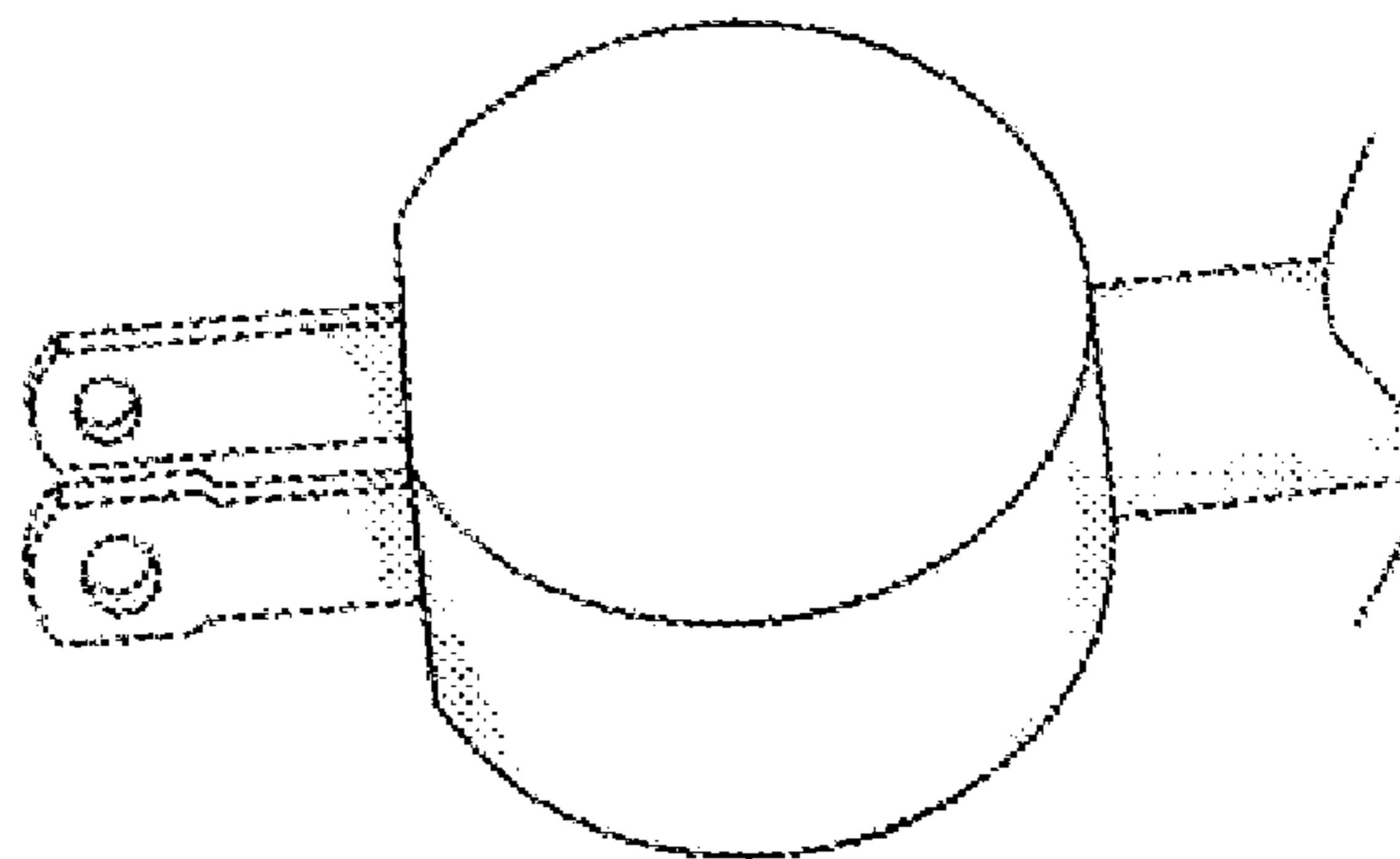
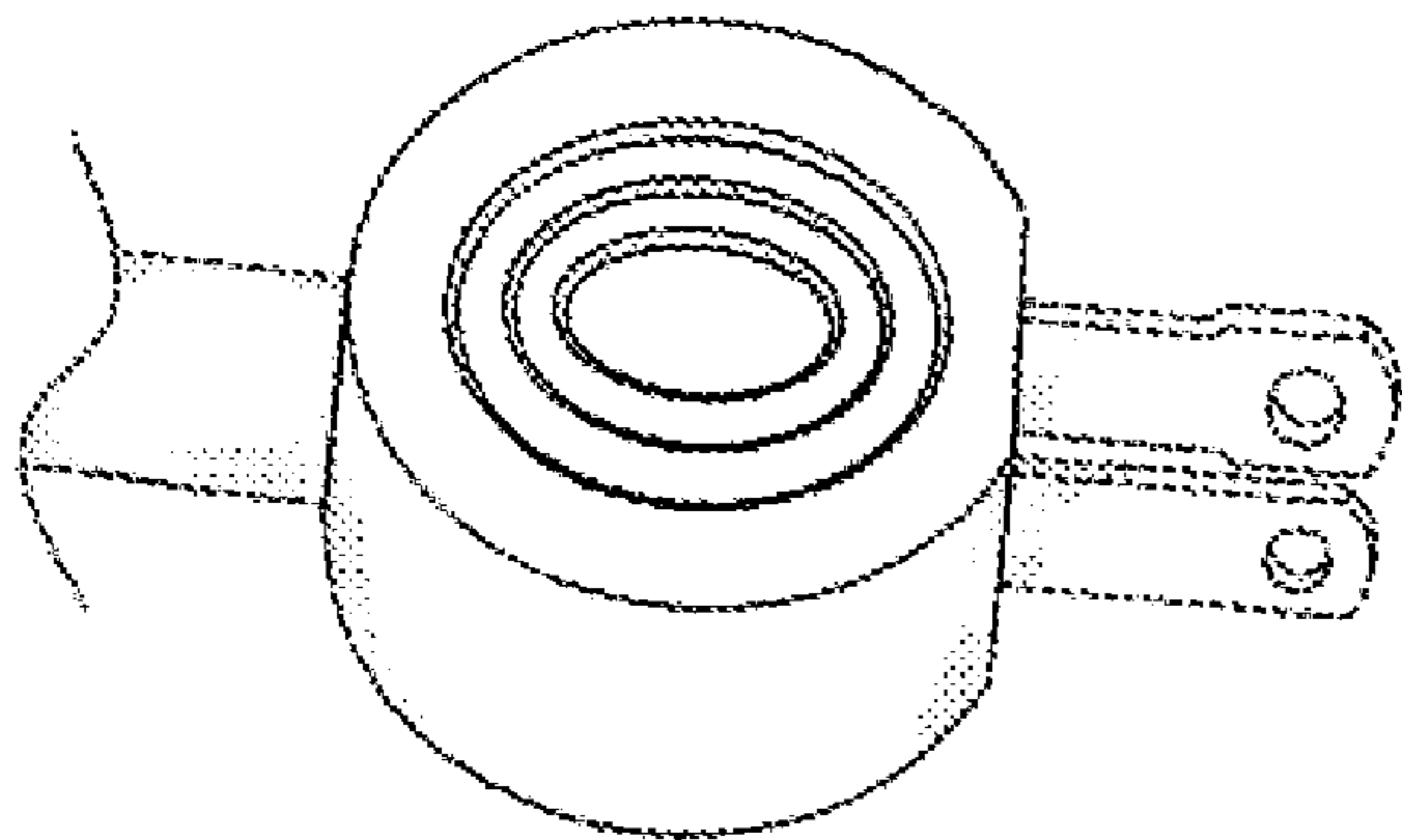
(57) **CLAIM**

The ornamental design for an electric plug having a tactile indicator, as shown and described.

DESCRIPTION

FIG. 1 is a perspective view of a plug having round body with a top round indicator. The broken lines in the figures illustrate unclaimed environment only and form no part of the claimed design; and,
FIG. 2 is a perspective view of the bottom and side of the plug of FIG. 1.

1 Claim, 1 Drawing Sheet



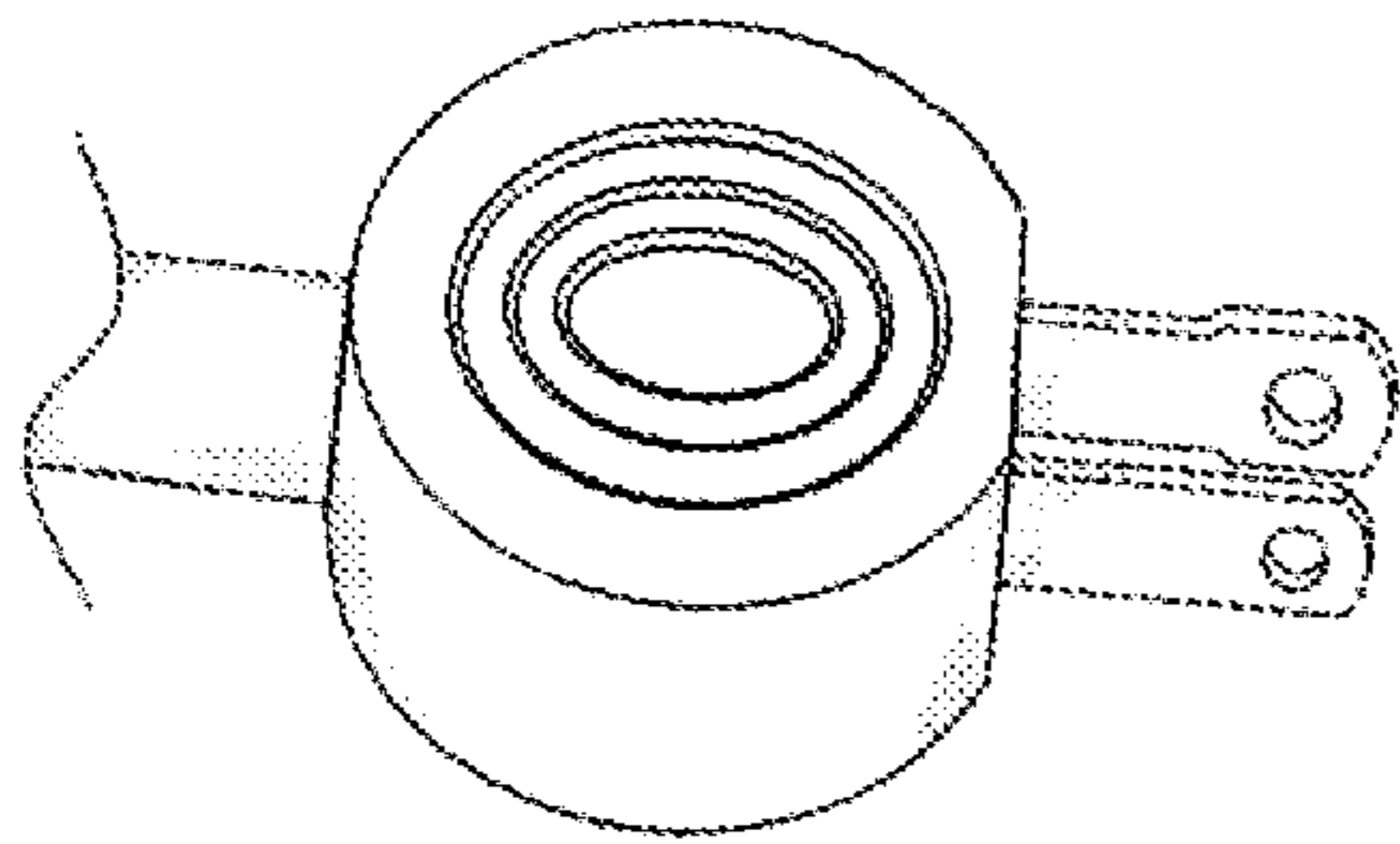


Figure 1

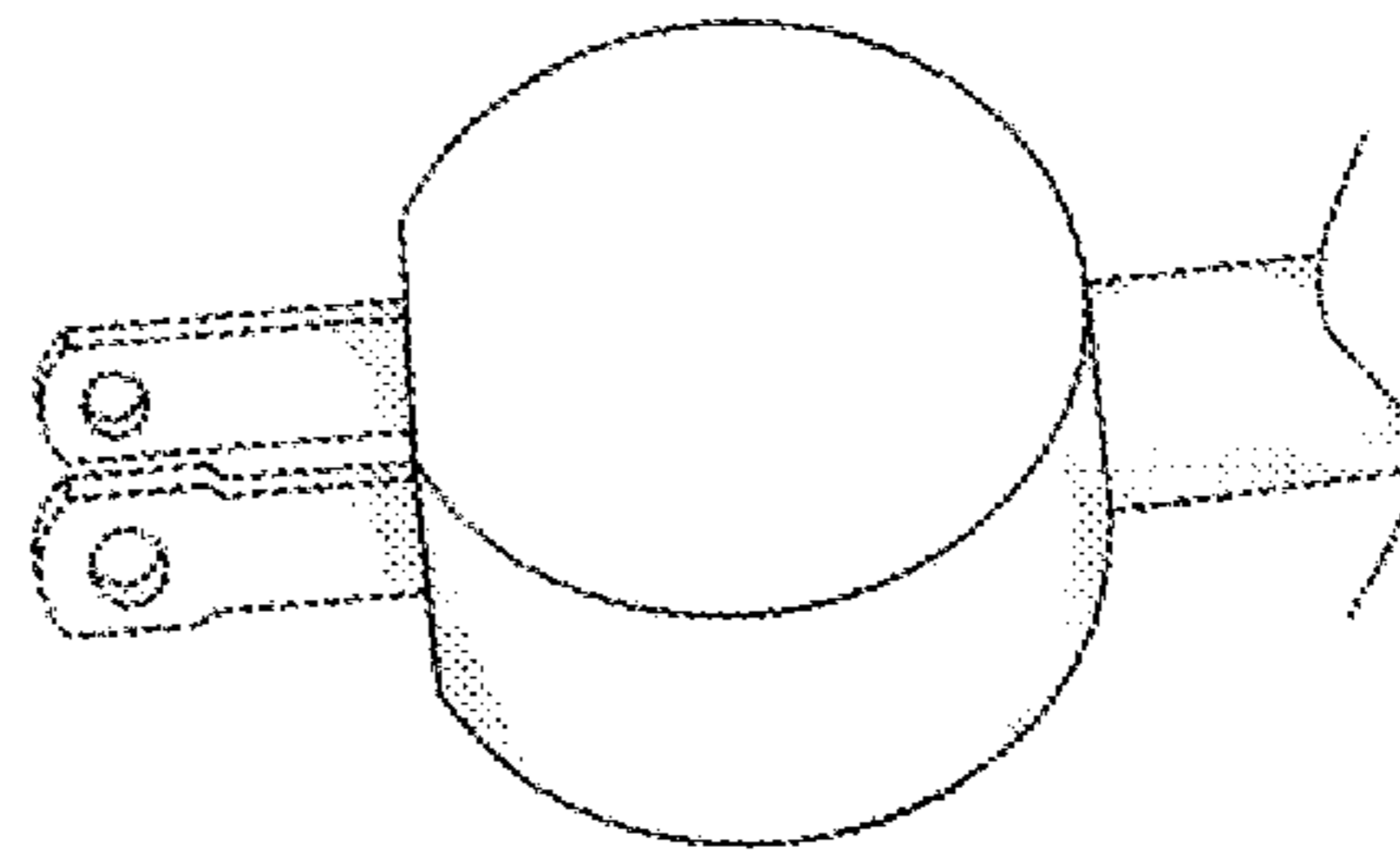


Figure 2