



US00D692383S

(12) **United States Design Patent**
Cai

(10) **Patent No.:** **US D692,383 S**

(45) **Date of Patent:** **** Oct. 29, 2013**

(54) **BLADE SOCKET**

(76) Inventor: **Nanhao Cai**, Dongguan (CN)

(**) Term: **14 Years**

(21) Appl. No.: **29/424,418**

(22) Filed: **Jun. 12, 2012**

(51) **LOC (9) Cl.** **13-03**

(52) **U.S. Cl.**
USPC **D13/133**

(58) **Field of Classification Search**

USPC D13/133, 154, 146, 147, 151, 184, 199,
D13/153; 439/68, 73, 135, 260, 329, 331,
439/492, 495, 526, 570, 862, 155, 460, 578,
439/597, 600, 660, 668, 680

See application file for complete search history.

(56) **References Cited**

U.S. PATENT DOCUMENTS

D431,528 S * 10/2000 Zhu et al. D13/133
D534,123 S * 12/2006 Lin D13/133
D553,083 S * 10/2007 Han et al. D13/133

D558,674 S * 1/2008 Lin et al. D13/133
D578,487 S * 10/2008 Han et al. D13/154
D636,344 S * 4/2011 Naito D13/154

* cited by examiner

Primary Examiner — Thomas Johannes

(74) *Attorney, Agent, or Firm* — Jackson IPG PLLC

(57) **CLAIM**

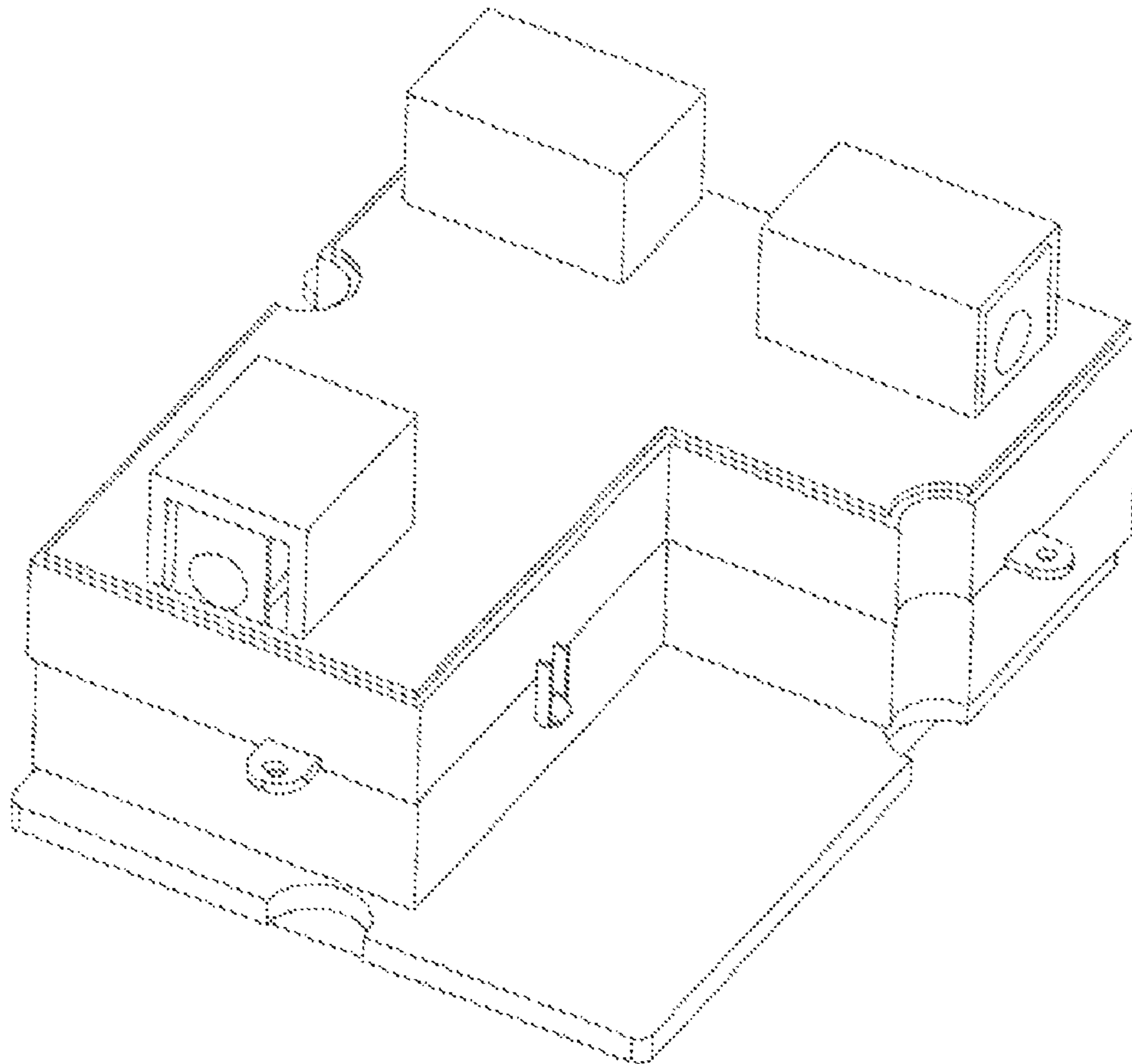
The ornamental design for a blade socket, as shown and described.

DESCRIPTION

FIG. 1 is a front elevational view of a blade socket showing my new design;
FIG. 2 is a front elevational view thereof;
FIG. 3 is a rear elevational view thereof;
FIG. 4 is a right side elevational view thereof;
FIG. 5 is a left side elevational view thereof;
FIG. 6 is a top plan view thereof; and,
FIG. 7 is a bottom plan view thereof.

The broken line portion of the figure drawings is included to show unclaimed subject matter only and forms no part of the claimed design.

1 Claim, 4 Drawing Sheets



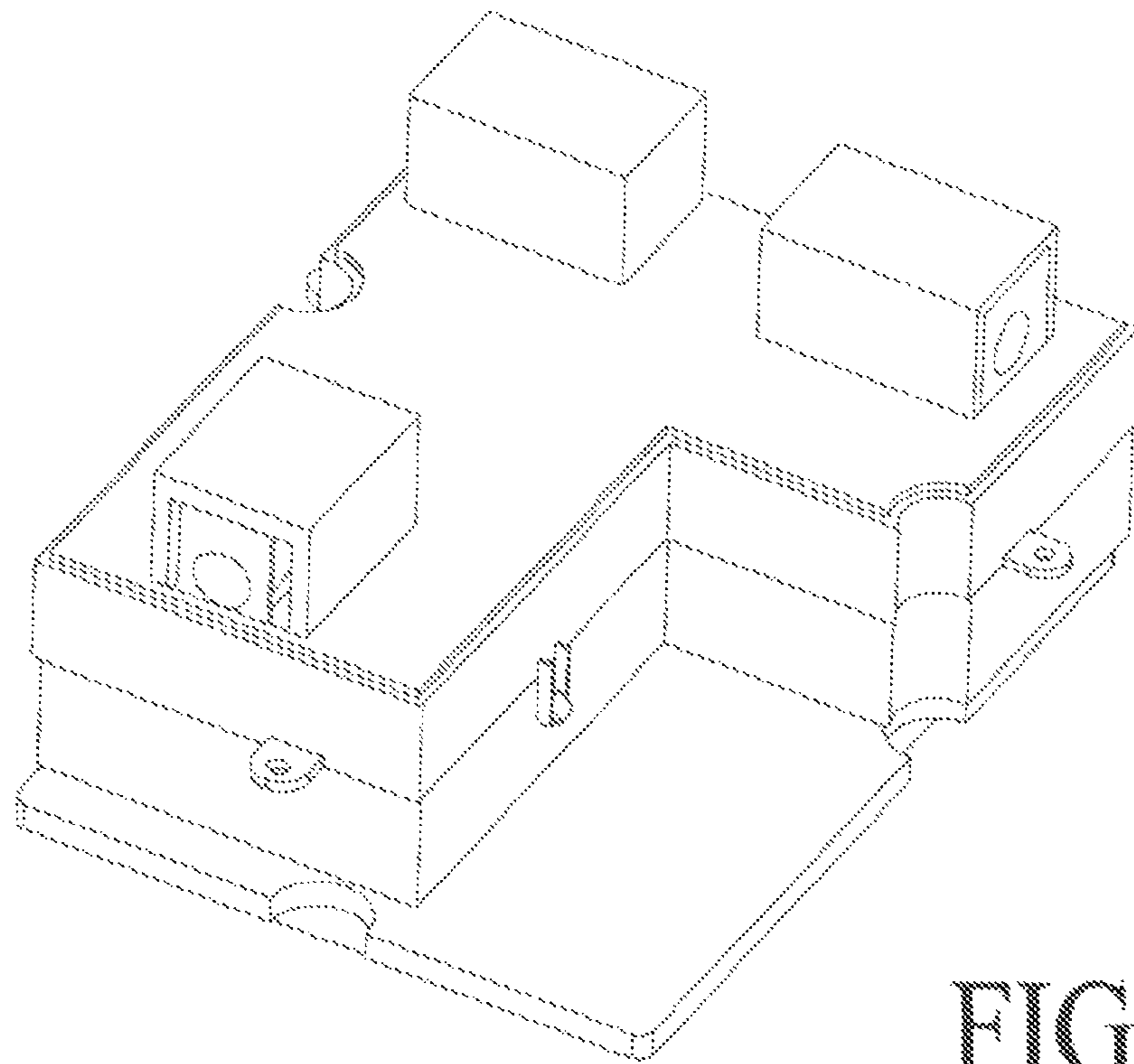


FIG. 1

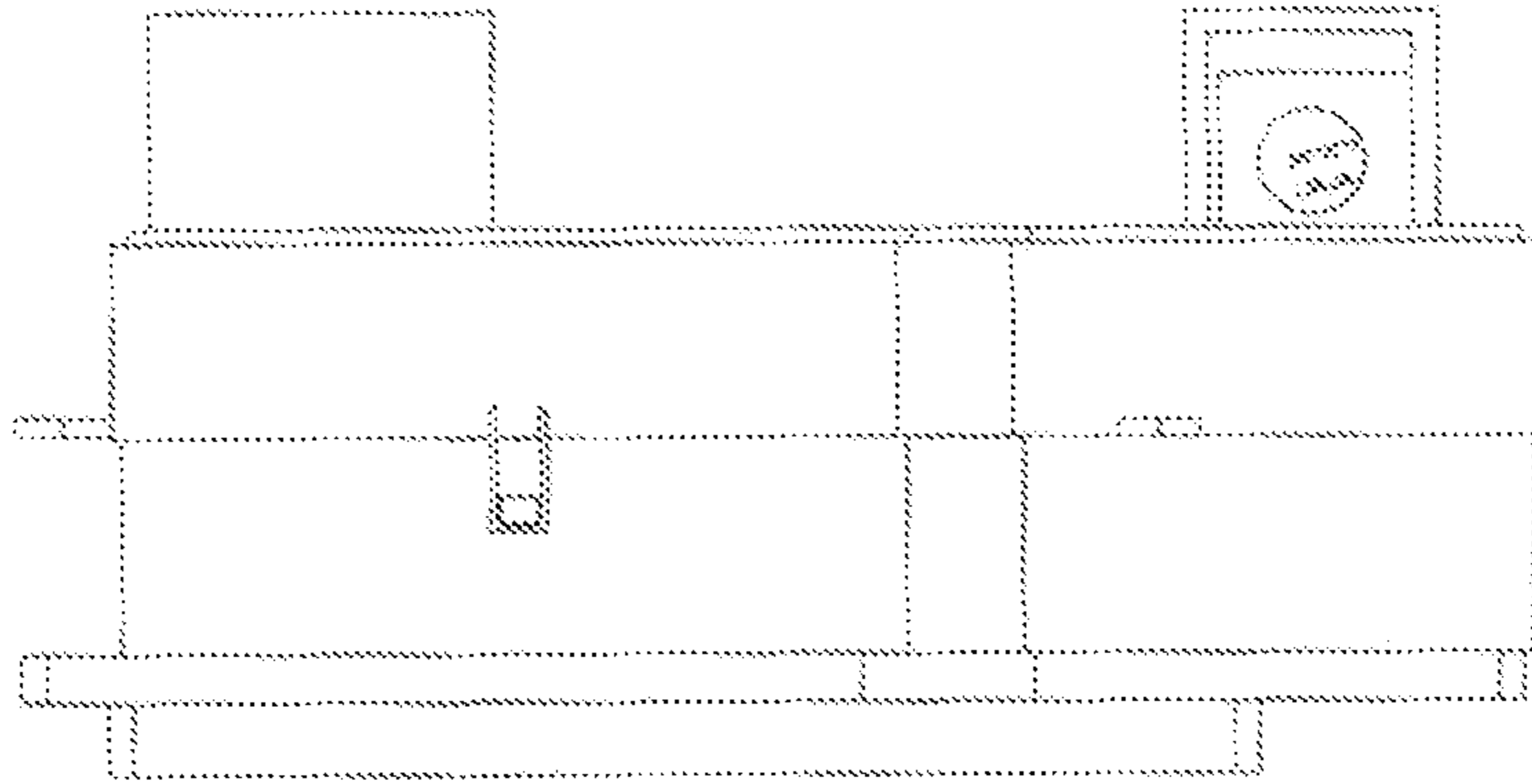


FIG. 2

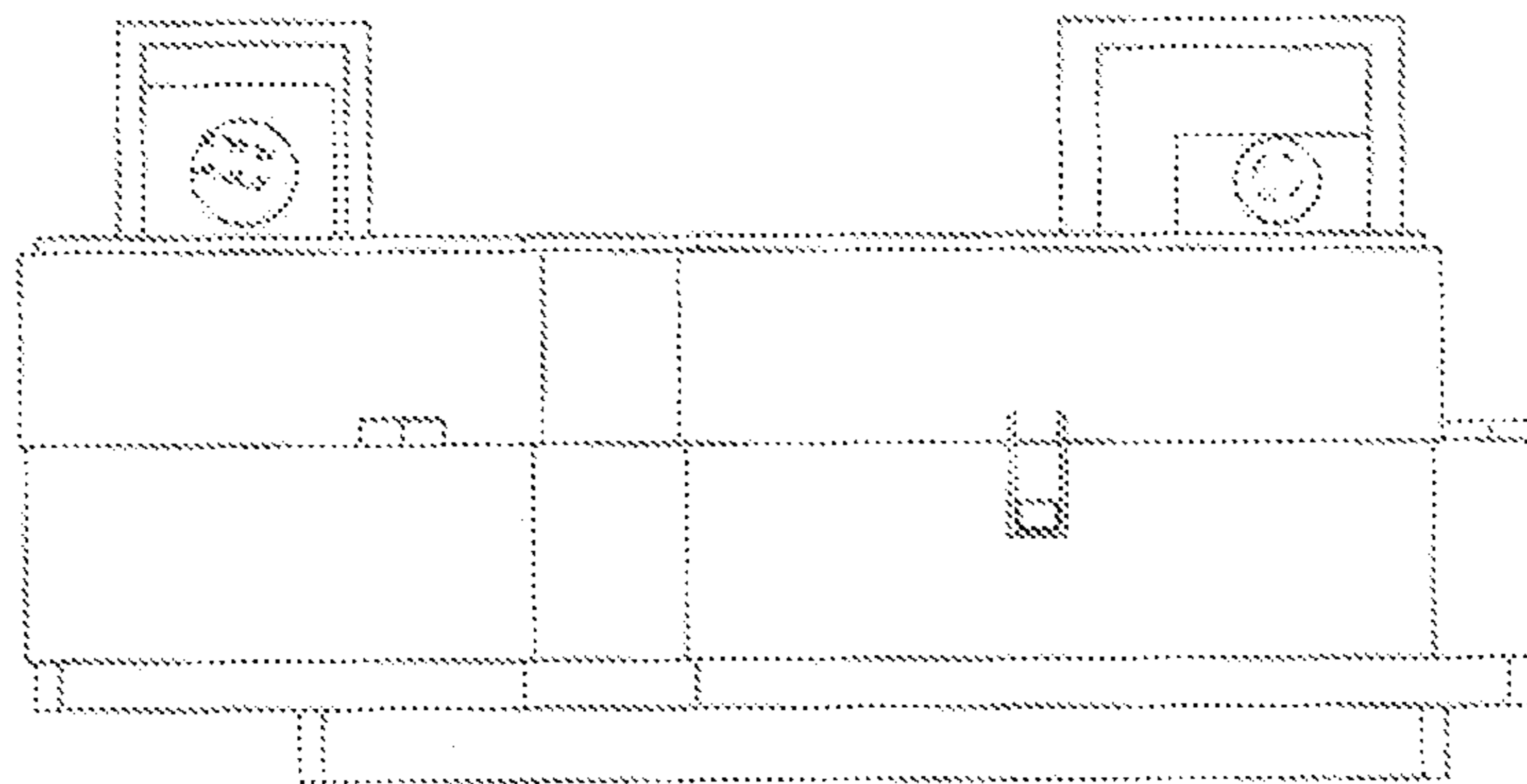


FIG. 3

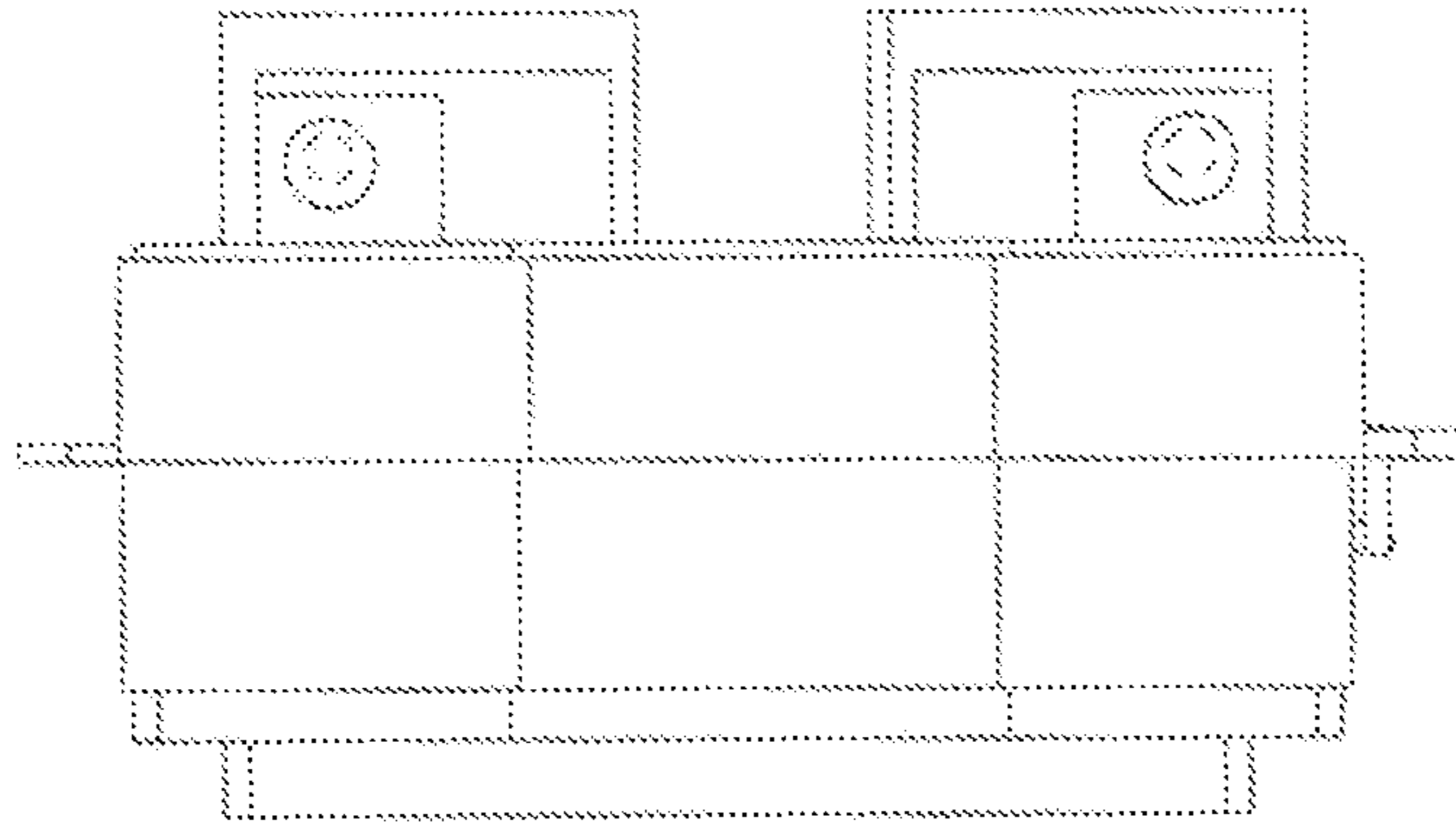


FIG. 4

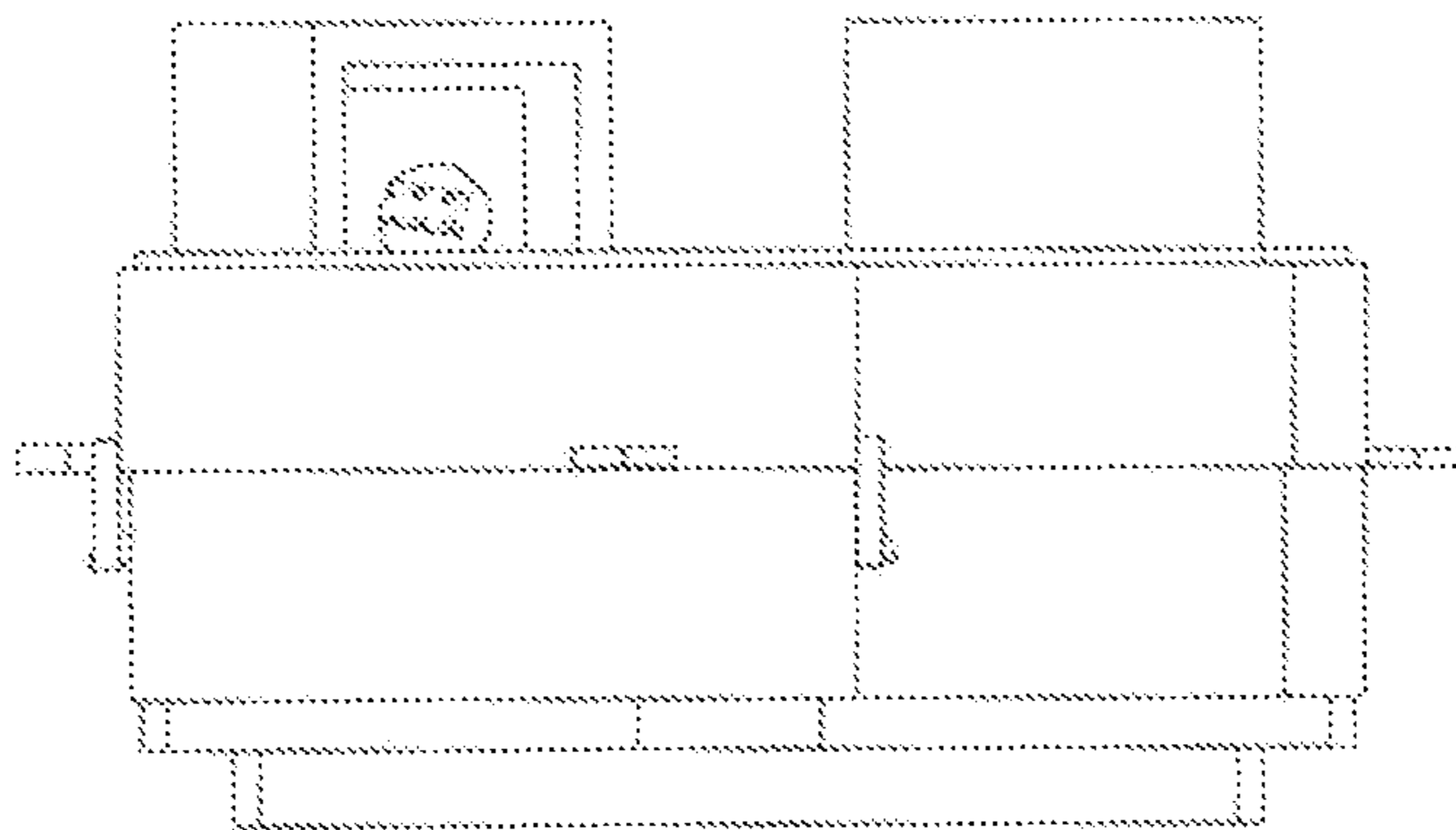


FIG. 5

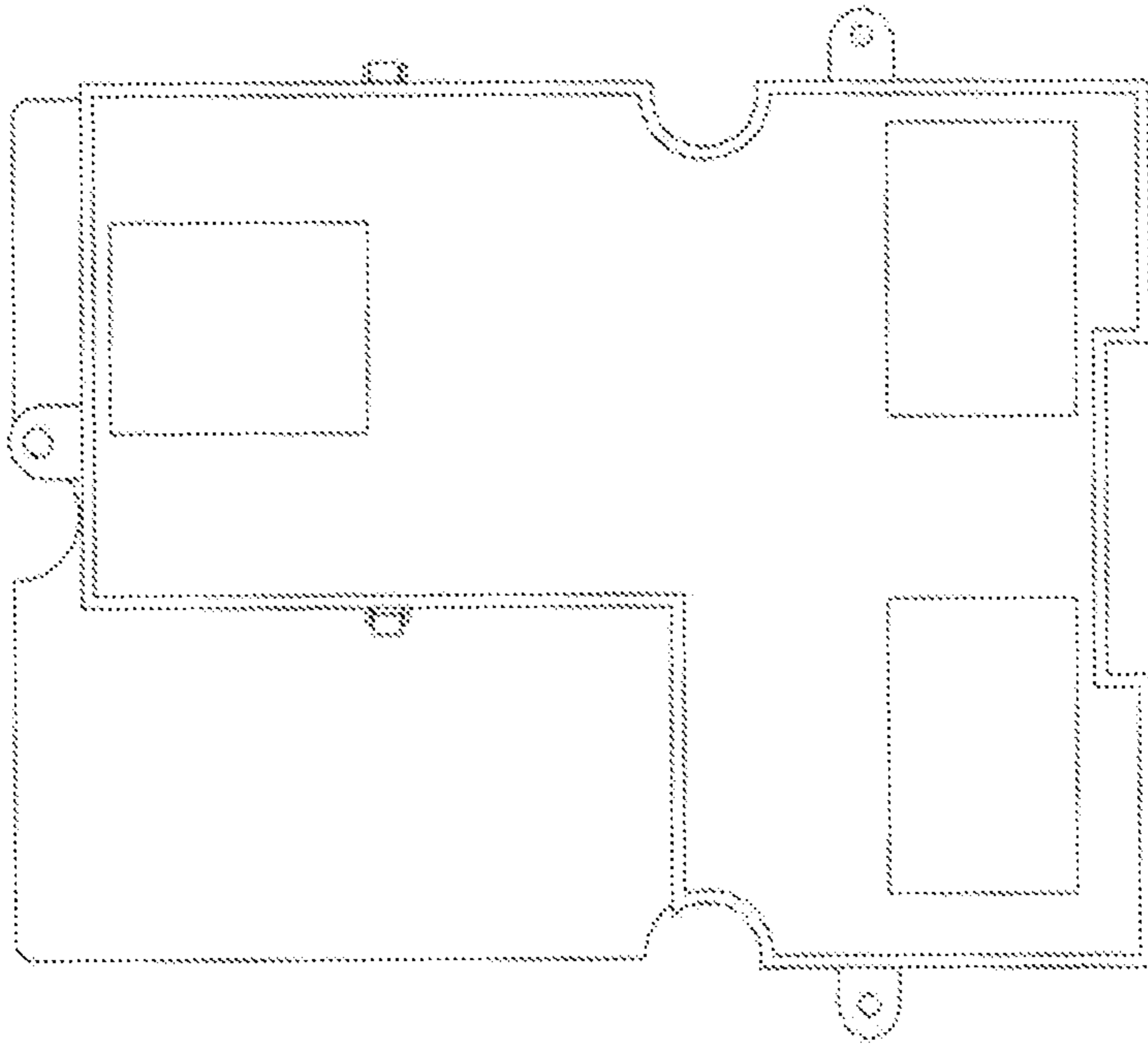


FIG. 6

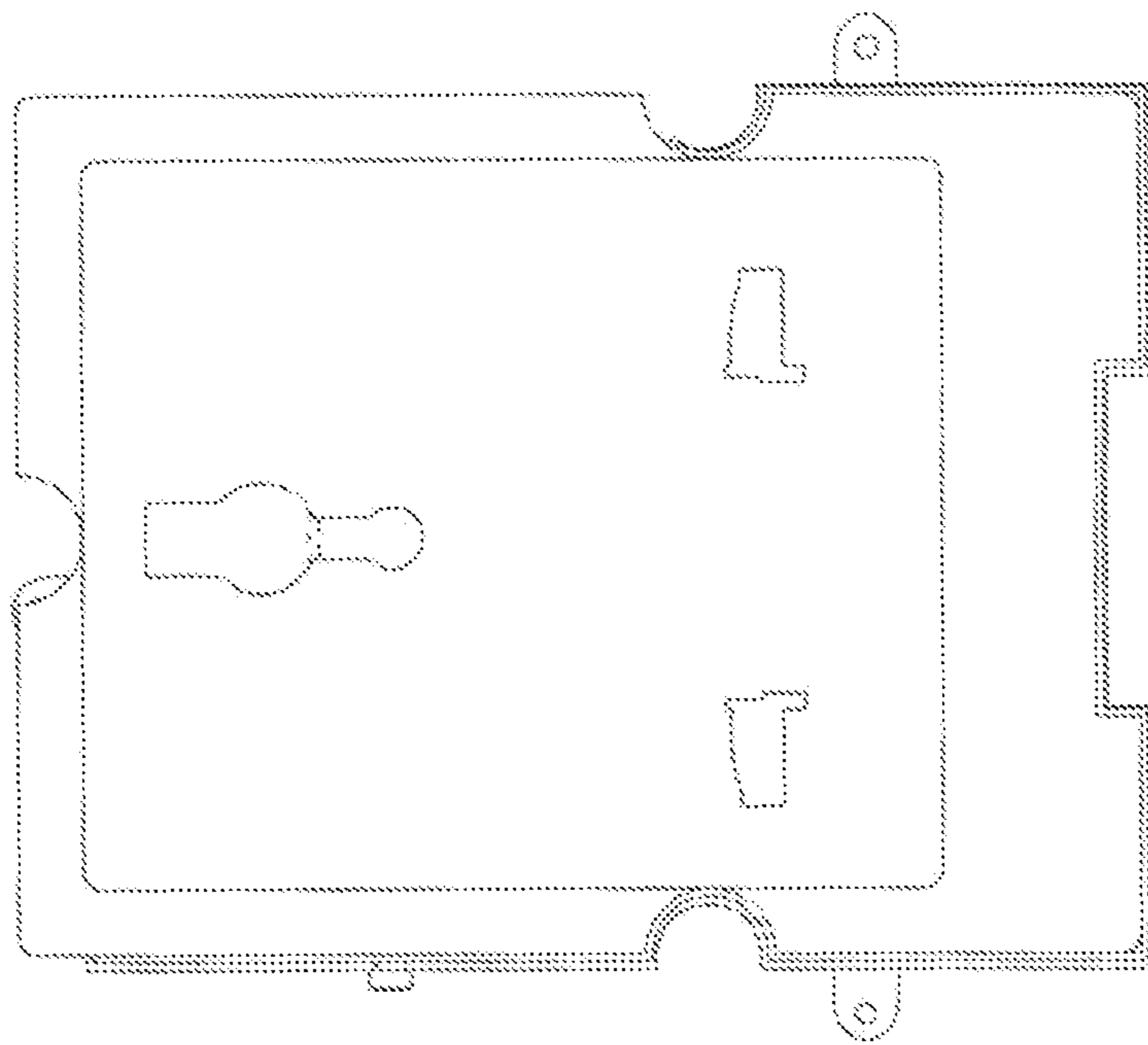


FIG. 7