



US00D692377S

(12) **United States Design Patent**
Creviston et al.

(10) **Patent No.:** **US D692,377 S**

(45) **Date of Patent:** **** Oct. 29, 2013**

(54) **MOSFET RECTIFIER BRIDGE POWER PACK**

(56)

References Cited

(71) Applicant: **Remy Technologies, LLC**, Pendleton,
IN (US)

(72) Inventors: **Alex Creviston**, Muncie, IN (US);
Christopher A. Bledsoe, Anderson, IN
(US); **John Patrick Amos**, Cutler, IN
(US)

(73) Assignee: **Remy Technologies, LLC**, Pendleton,
IN (US)

(**) Term: **14 Years**

(21) Appl. No.: **29/438,843**

(22) Filed: **Dec. 4, 2012**

(51) **LOC (9) Cl.** **13-02**

(52) **U.S. Cl.**
USPC **D13/110**

(58) **Field of Classification Search**

USPC D13/110, 101, 103, 117, 118, 121, 162,
D13/179, 180, 182, 199; 257/675, 693, 698,
257/707, 709, 717, 718, 719, 720, 721, 722,
257/790, 796; 307/89, 91, 150; 361/679,
361/707, 717, 718, 719, 720, 736, 752, 775,
361/777, 815; 363/36, 37, 55, 56.01, 131,
363/141, 142, 144

See application file for complete search history.

U.S. PATENT DOCUMENTS

D264,960	S	*	6/1982	Secrest	D13/110
D314,175	S	*	1/1991	Takeshita et al.	D13/124
D365,081	S	*	12/1995	Rodriguez	D13/110
D390,825	S	*	2/1998	Chen	D13/110
5,886,400	A	*	3/1999	Letterman et al.	257/675
D434,723	S	*	12/2000	Fushimi	D13/110
D467,869	S	*	12/2002	Ando et al.	D13/110
D476,962	S	*	7/2003	Yoshihira et al.	D13/182
D520,466	S	*	5/2006	Kamiya et al.	D13/180
D556,686	S	*	12/2007	Matsuo et al.	D13/110
D573,116	S	*	7/2008	Chou et al.	D13/182
D651,170	S	*	12/2011	Yura et al.	D13/110
2006/0001133	A1	*	1/2006	McGarvey et al.	257/666
2008/0186751	A1	*	8/2008	Tokuyama et al.	363/131

* cited by examiner

Primary Examiner — Derrick Holland

(74) *Attorney, Agent, or Firm* — Bose McKinney & Evans
LLP

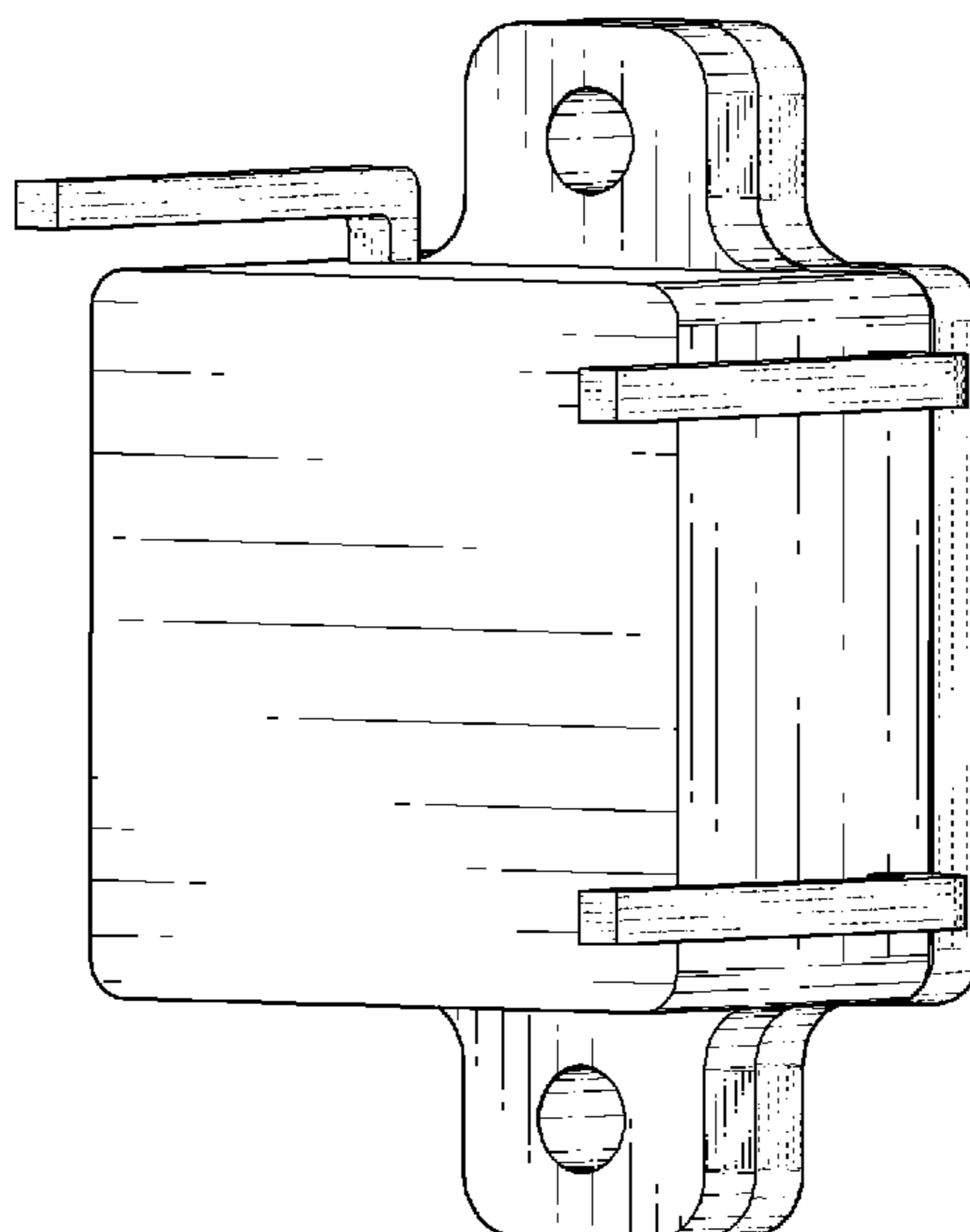
(57) **CLAIM**

The ornamental design of a Mosfet rectifier bridge power
pack, as shown and described.

DESCRIPTION

FIG. 1 is a perspective view of a Mosfet rectifier bridge power
pack showing our new design;
FIG. 2 is a top plan view thereof;
FIG. 3 is a first side elevation view thereof;
FIG. 4 is a second side elevation view thereof;
FIG. 5 is a third side elevation view thereof;
FIG. 6 is a bottom plan view thereof; and,
FIG. 7 is a fourth side elevation view thereof.

1 Claim, 4 Drawing Sheets



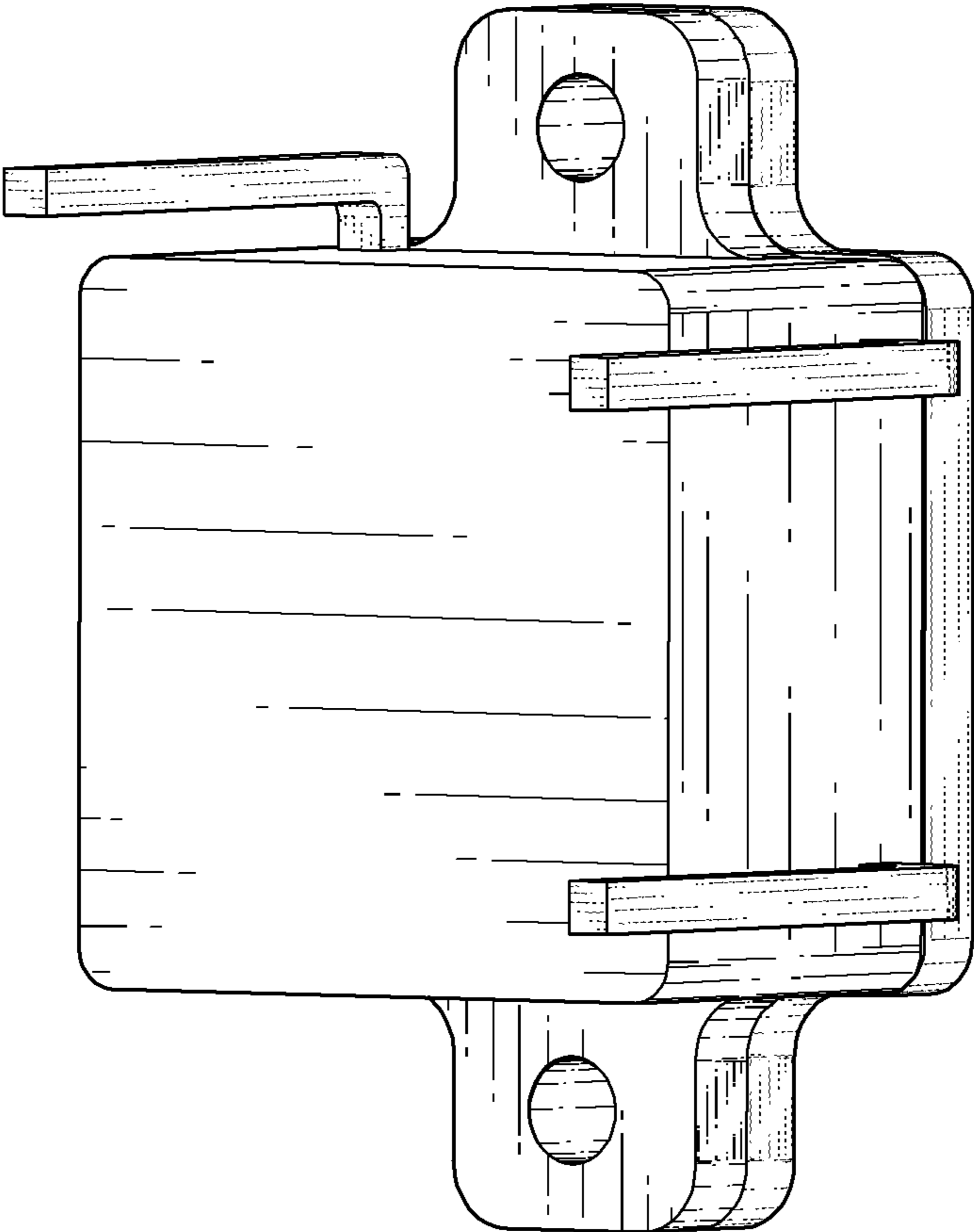


Fig. 1

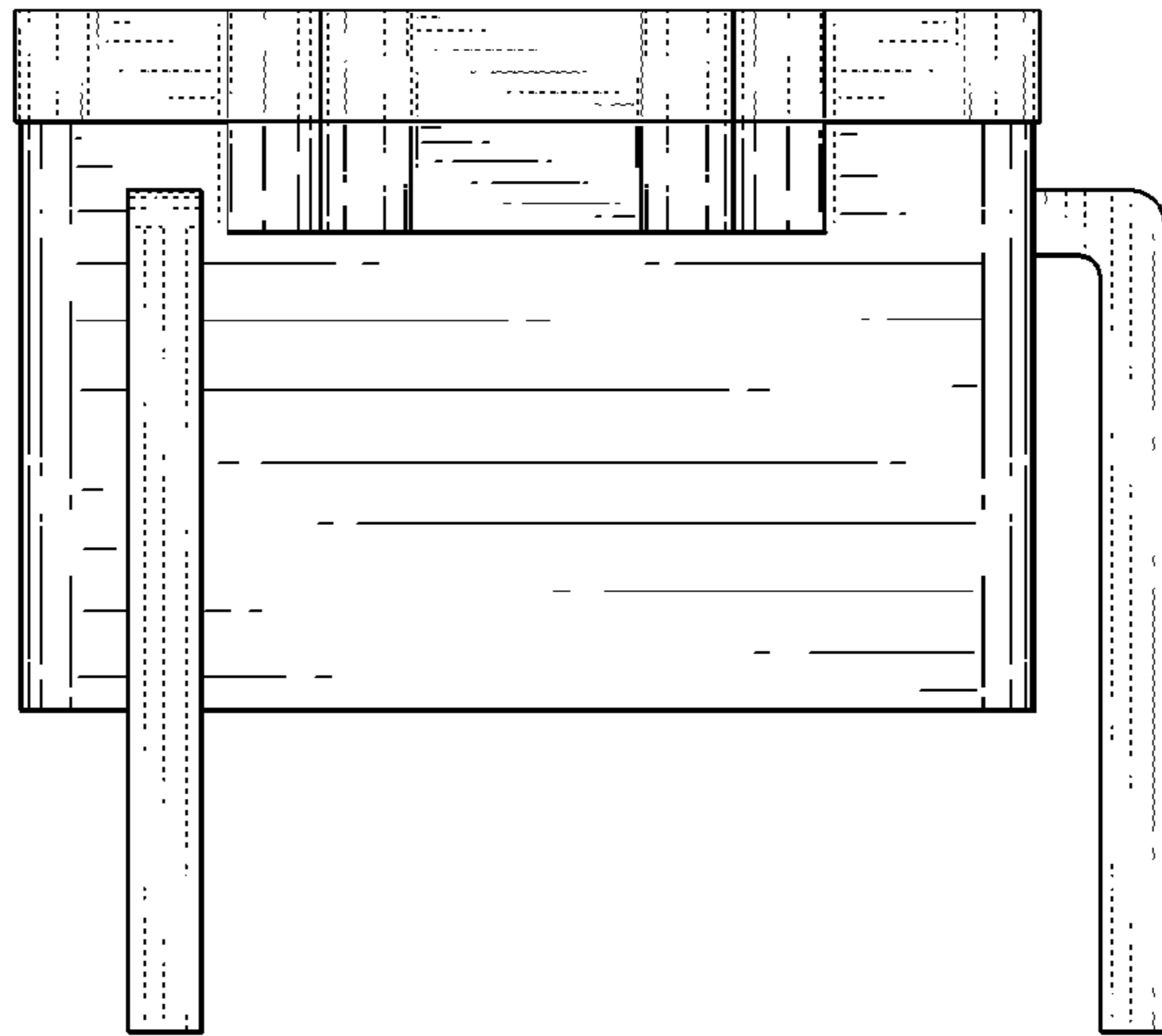


Fig. 3

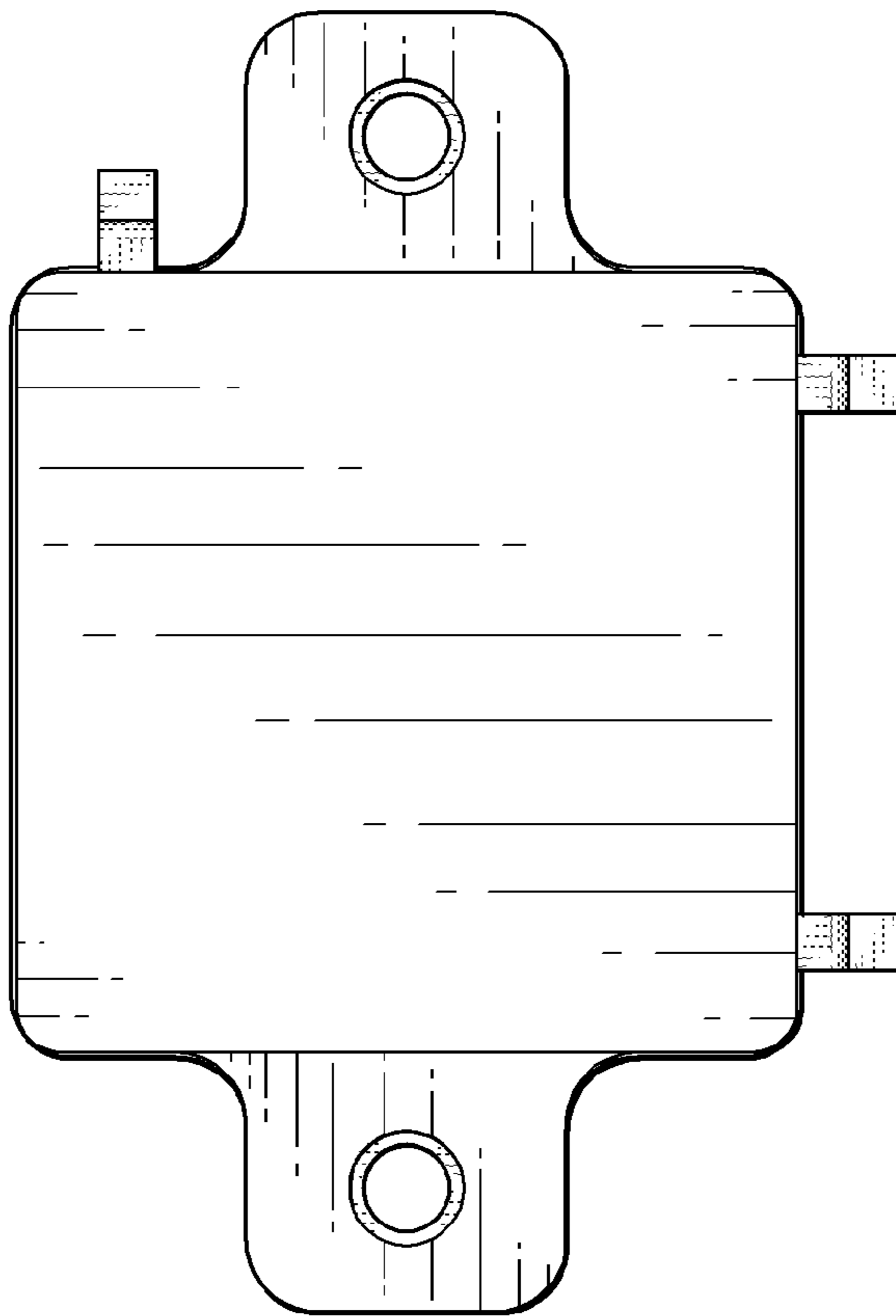


Fig. 2

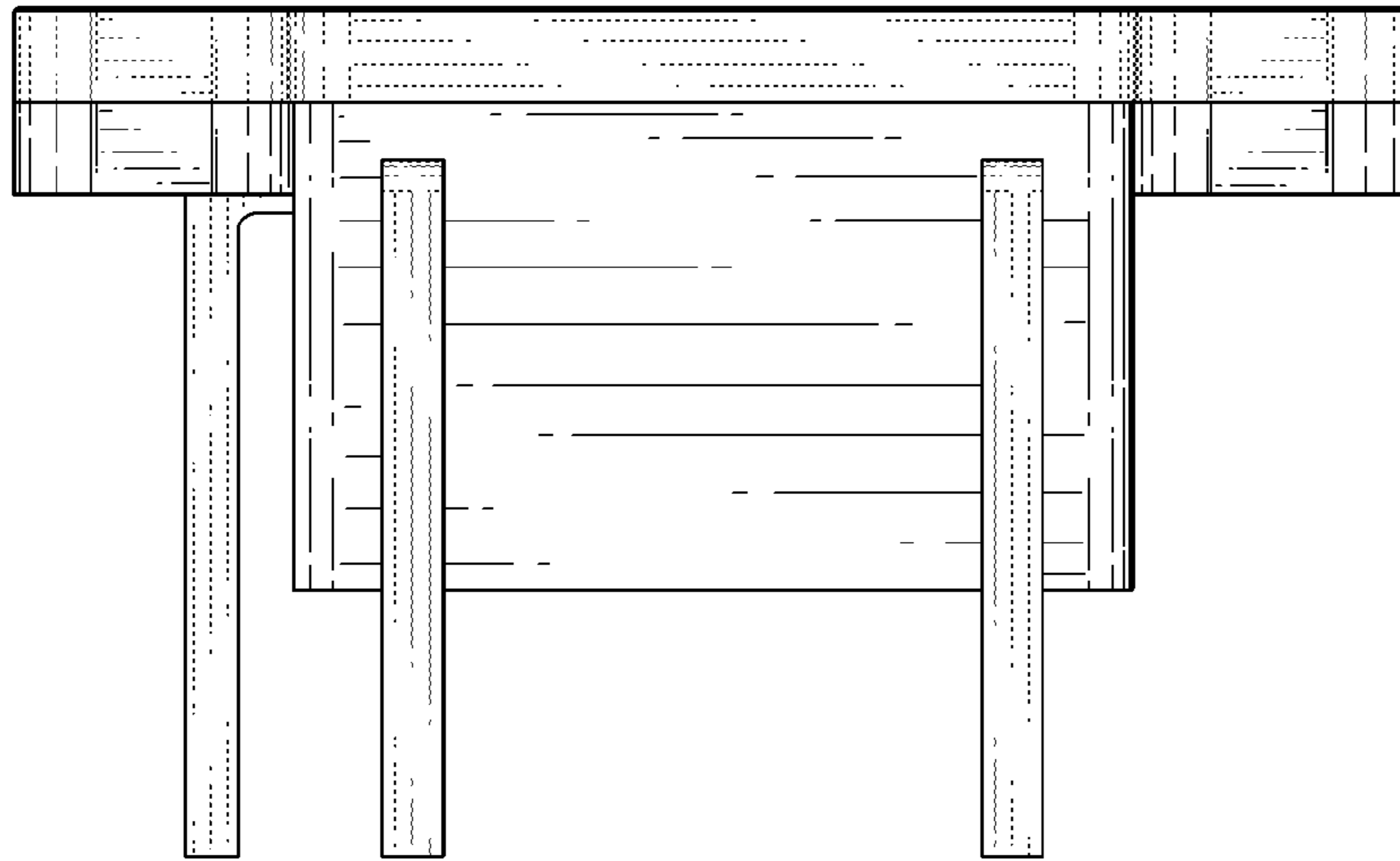


Fig. 5

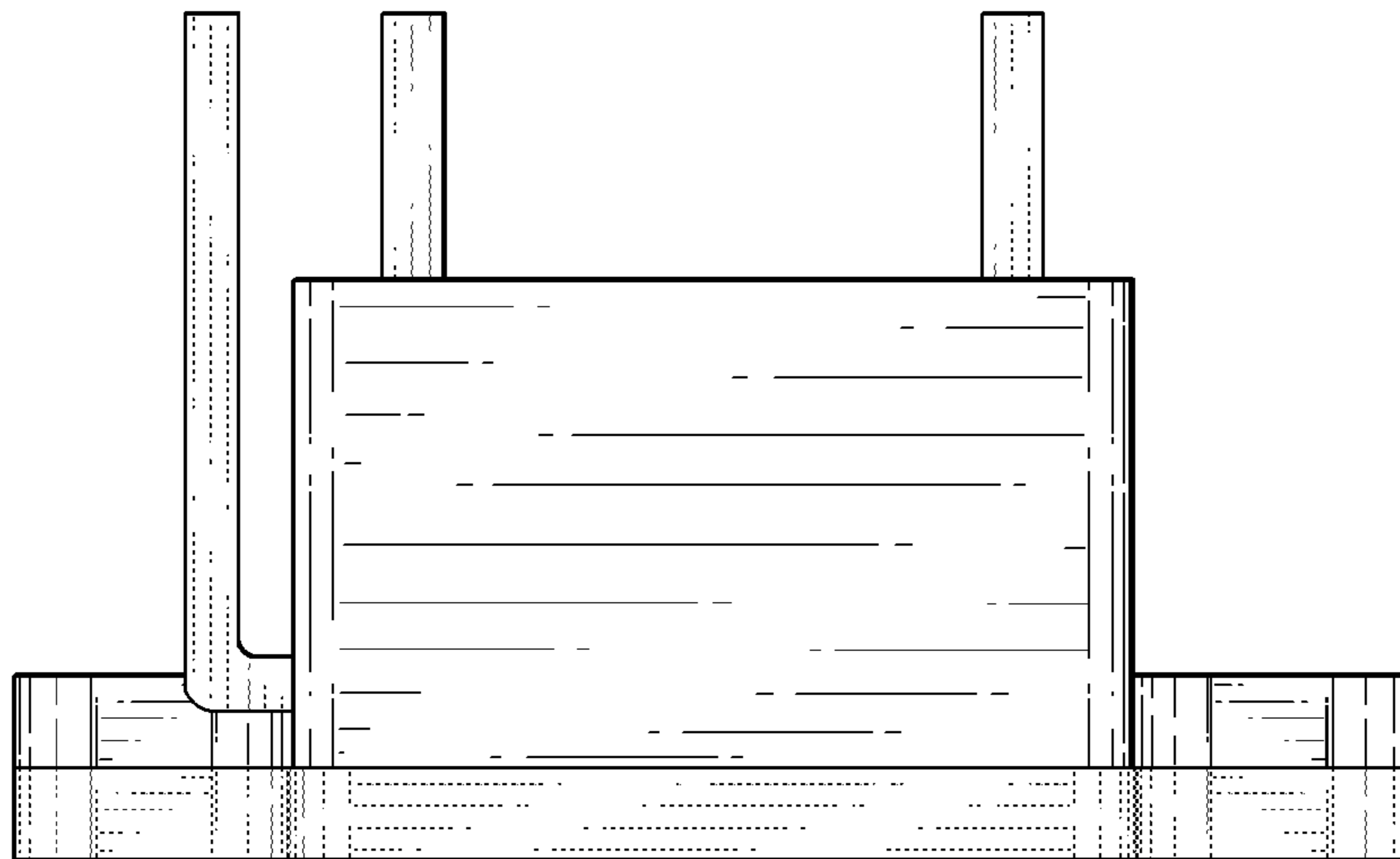


Fig. 4

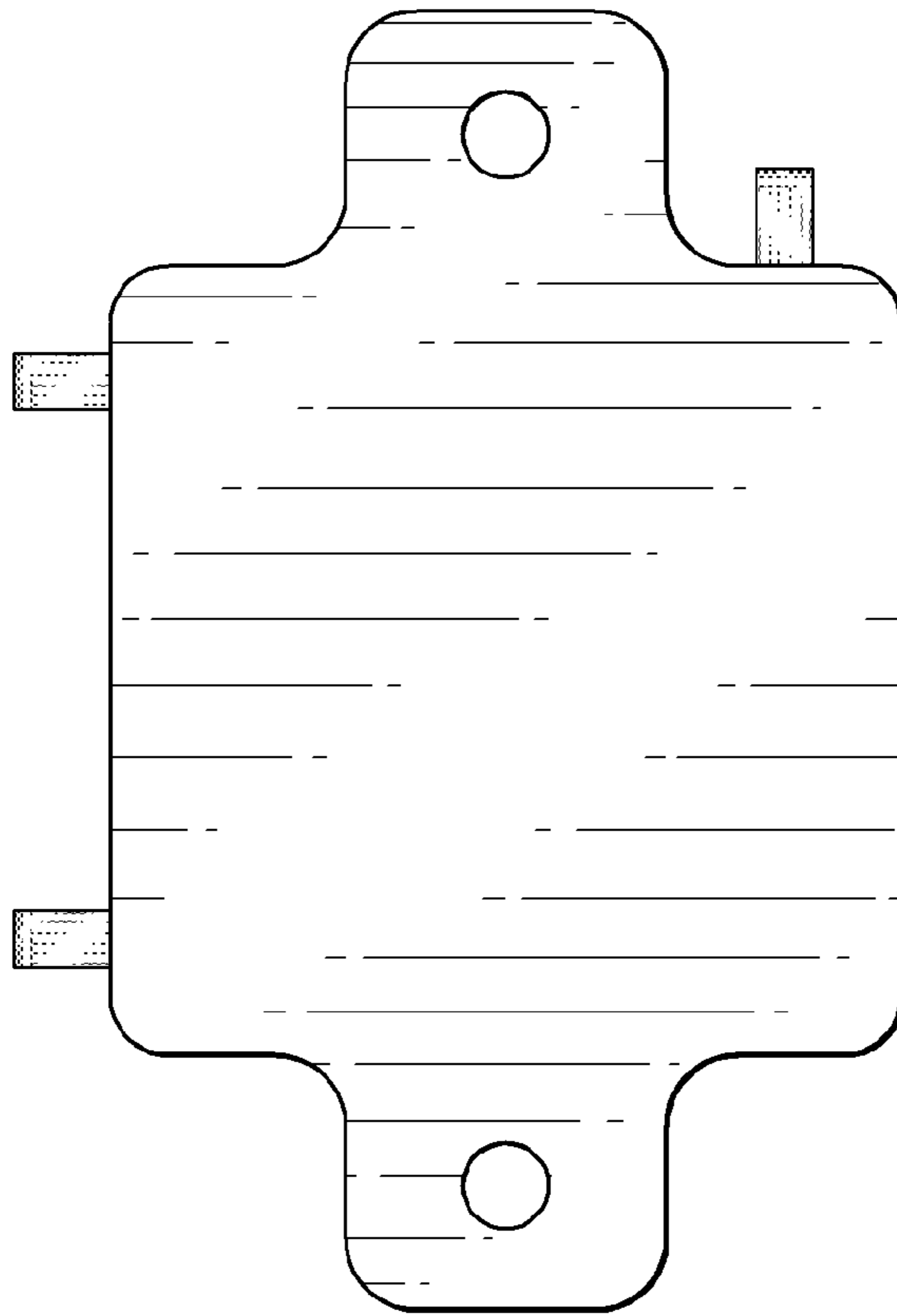


Fig. 6

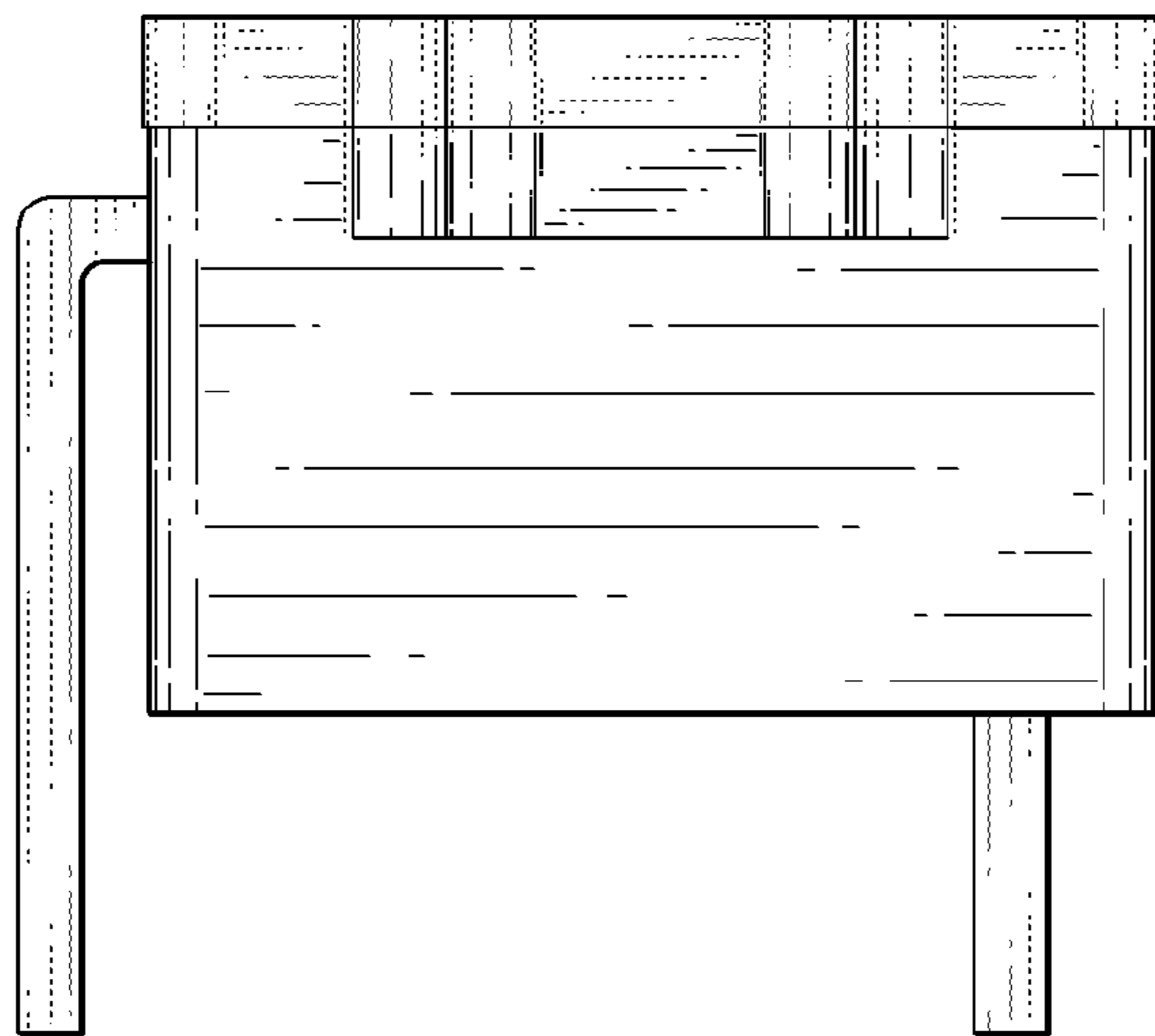


Fig. 7