

US00D692376S

(12) **United States Design Patent**
Palmer et al.

(10) **Patent No.:** **US D692,376 S**
(45) **Date of Patent:** **** Oct. 29, 2013**

(54) **CLIPPER CHARGING BASE**
(71) Applicants: **Bradley Palmer**, Chicago, IL (US);
Chenglin Zheng, Henan Province (CN)

D640,977 S * 7/2011 Videbaek D13/108
D657,740 S * 4/2012 Prat-Pfister D13/108
D677,622 S * 3/2013 Cole et al. D13/108

(72) Inventors: **Bradley Palmer**, Chicago, IL (US);
Chenglin Zheng, Henan Province (CN)

FOREIGN PATENT DOCUMENTS

EP 1932633 B1 3/2010

(73) Assignee: **Medline Industries, Inc.**, Mundelein, IL (US)

* cited by examiner

Primary Examiner — Rosemary K Tarcza

(**) Term: **14 Years**

(74) *Attorney, Agent, or Firm* — McAndrews Held & Malloy, Ltd.

(21) Appl. No.: **29/446,413**

(57) **CLAIM**

(22) Filed: **Feb. 22, 2013**

The ornamental design for a clipper charging base, as shown and described.

(51) **LOC (9) Cl.** **13-02**

(52) **U.S. Cl.**
USPC **D13/108**

DESCRIPTION

(58) **Field of Classification Search**
USPC D13/107–110, 118–119, 184, 199;
D14/217, 251, 253, 432, 434;
320/107–115

See application file for complete search history.

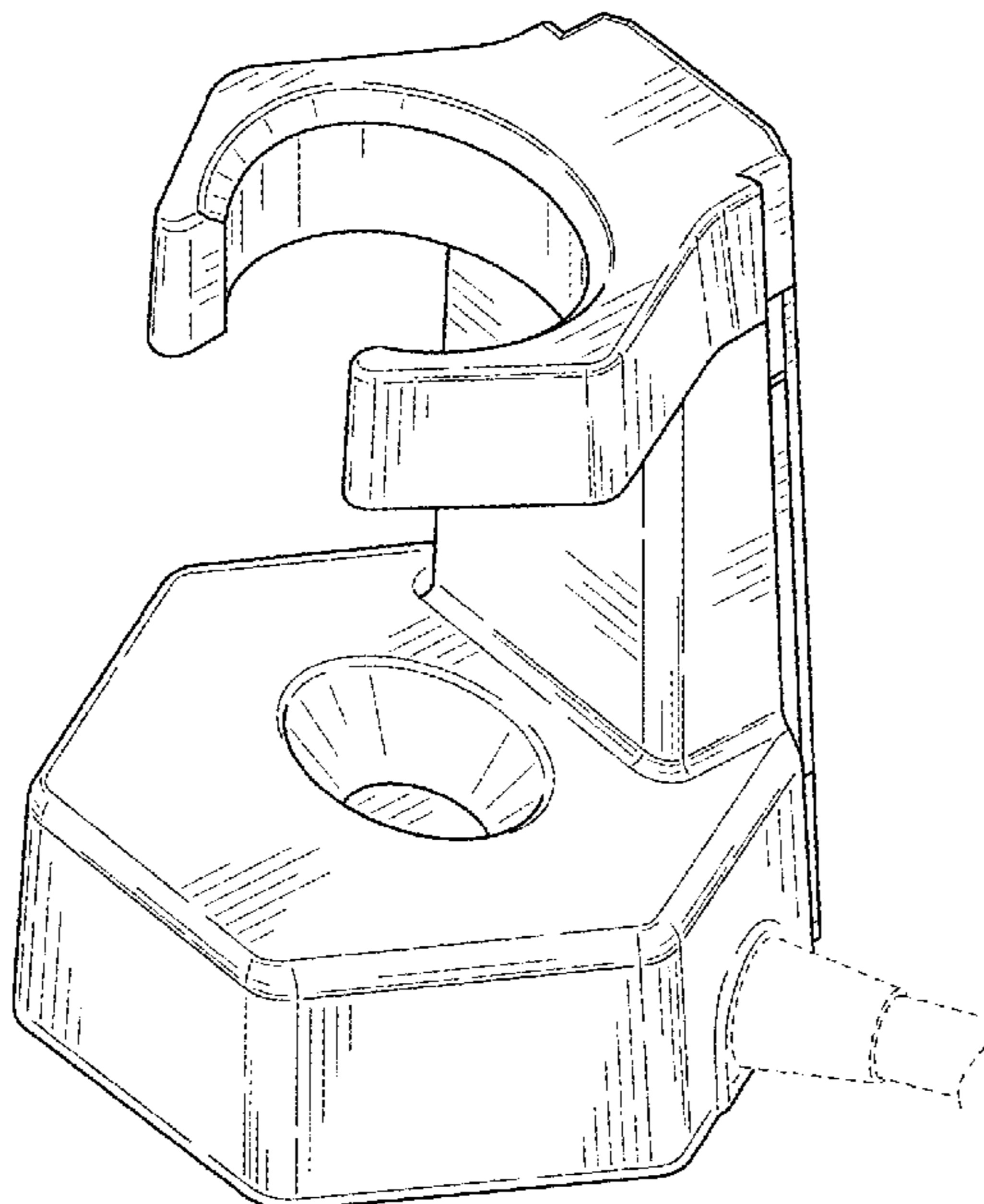
FIG. 1 is a top, right, front perspective view of a clipper charging base showing our new design; FIG. 2 is a bottom, right, front perspective view thereof; FIG. 3 is a front elevation view thereof; FIG. 4 is a rear elevation view thereof; FIG. 5 is a right side elevation view thereof; FIG. 6 is a left side elevation view thereof; FIG. 7 is a top plan view thereof; FIG. 8 is a bottom plan view thereof; and, FIG. 9 is a top, right, front perspective view thereof with the addition of a clipper shown in dotted lines for purposes of illustrating unclaimed environmental subject matter. The dashed broken lines are for purposes of illustrating portions of the clipper charging base and form no part of the claimed design.

(56) **References Cited**

U.S. PATENT DOCUMENTS

D197,208 S * 12/1963 Cassidy et al. D4/101
D342,345 S 12/1993 Yonezawa
D416,536 S * 11/1999 Ross et al. D13/107
D489,322 S * 5/2004 Sawai et al. D13/108
D510,905 S * 10/2005 Thirouin D13/108
D511,492 S * 11/2005 Allende Fritsch D13/108
D566,898 S 4/2008 Hara
D567,446 S 4/2008 Hara et al.
D572,188 S * 7/2008 Prat-Pfister D13/108
D597,939 S * 8/2009 Tkachuk D13/108

1 Claim, 6 Drawing Sheets



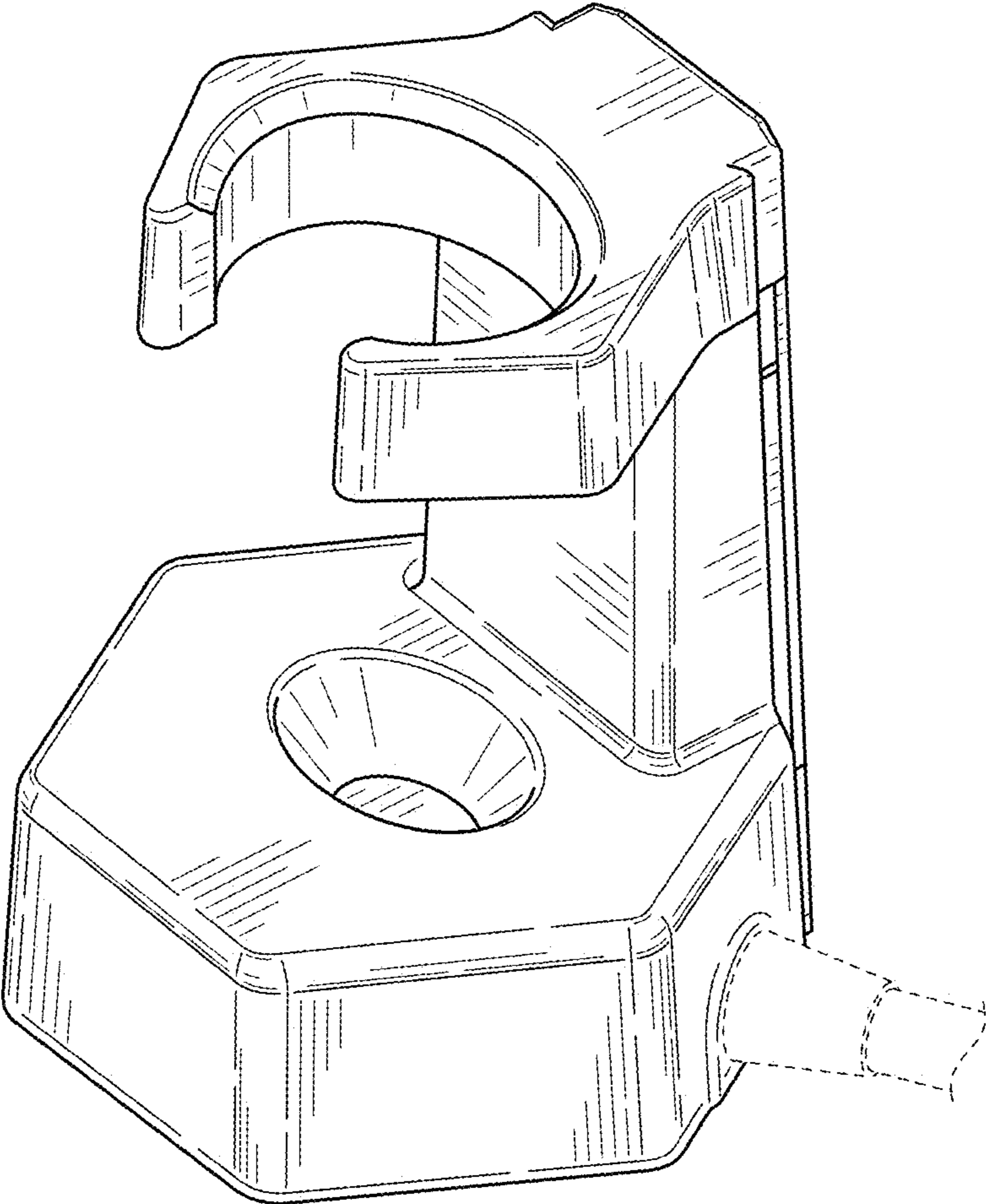


FIG. 1

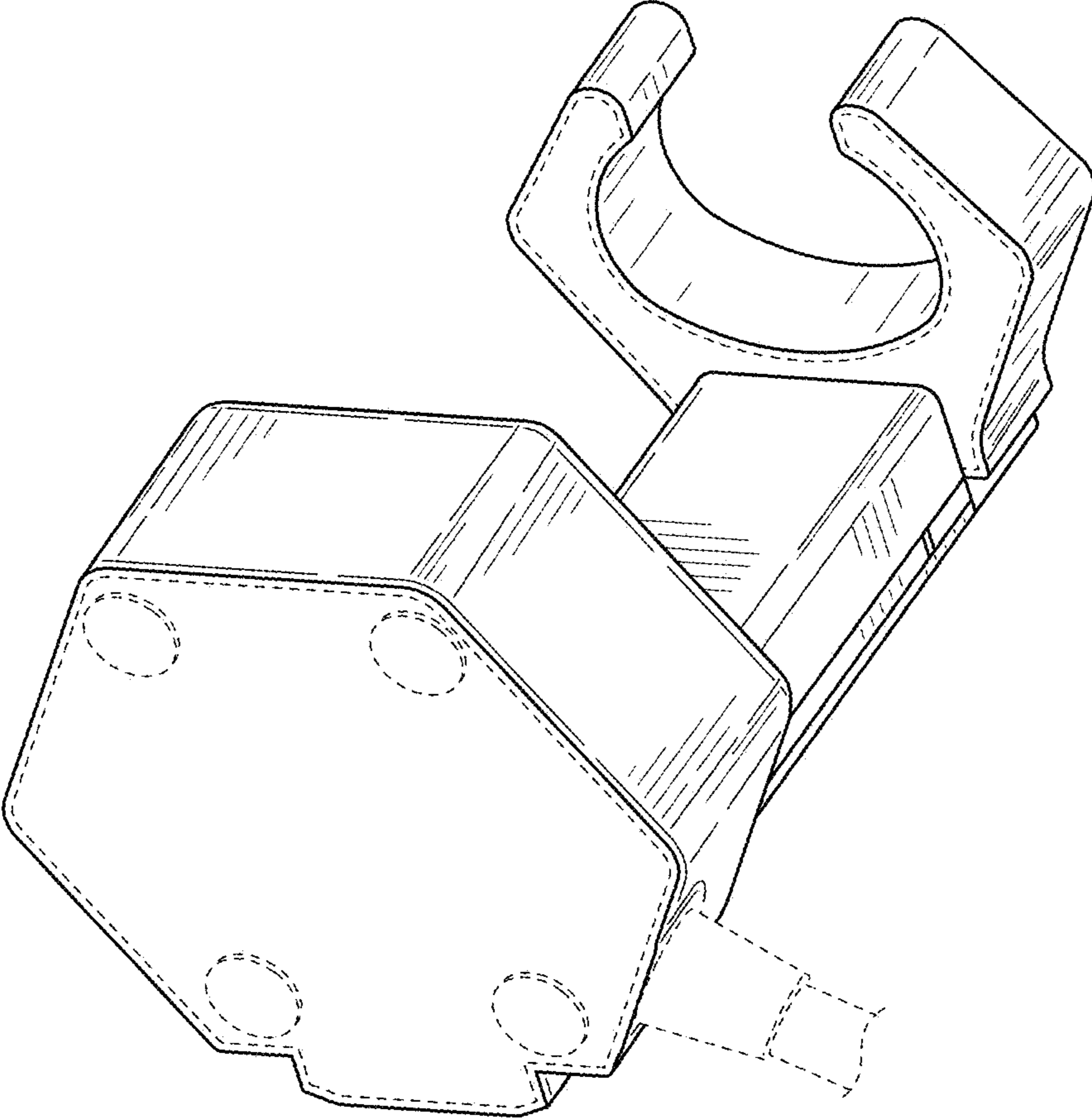


FIG. 2

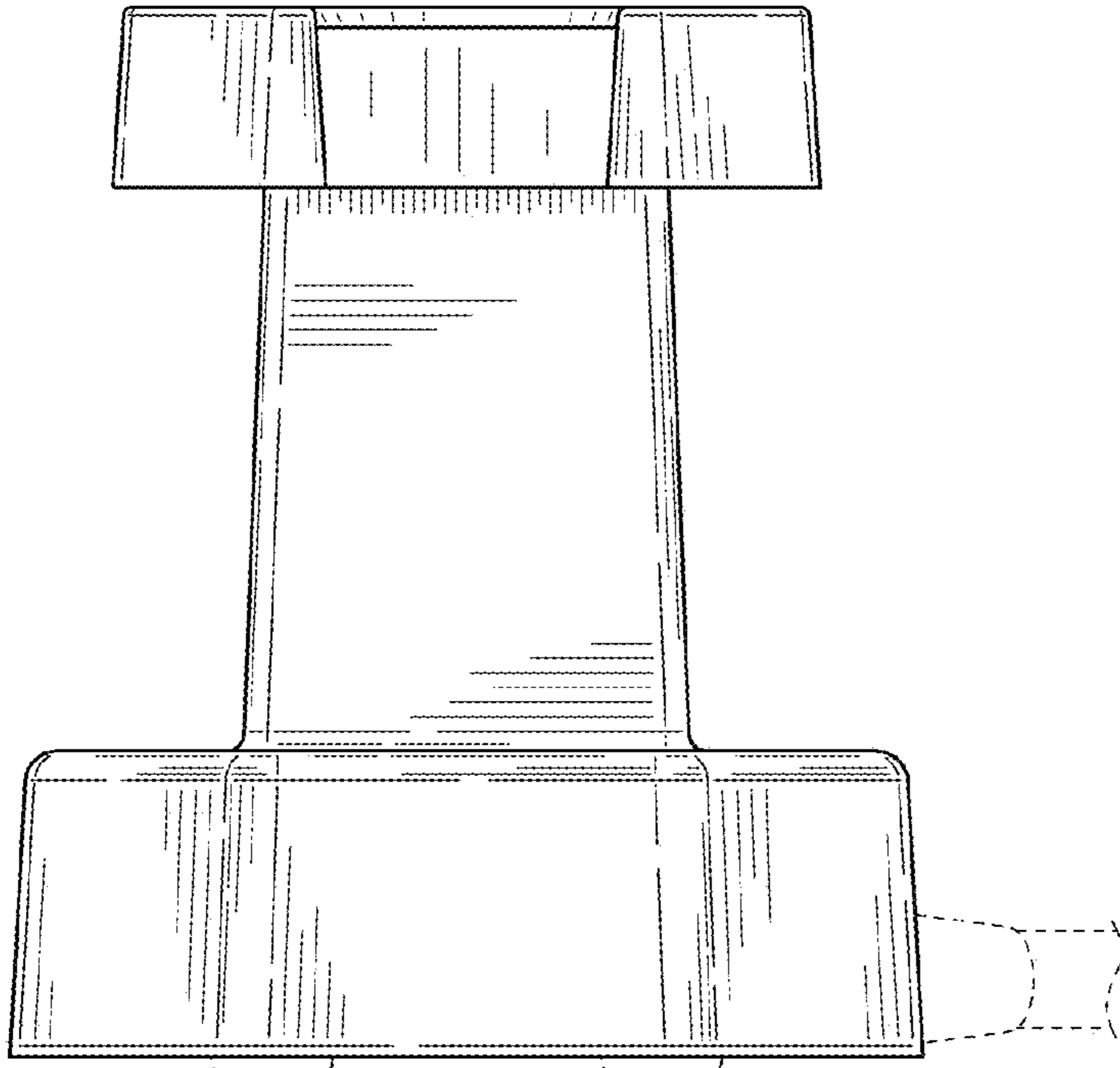


FIG. 3

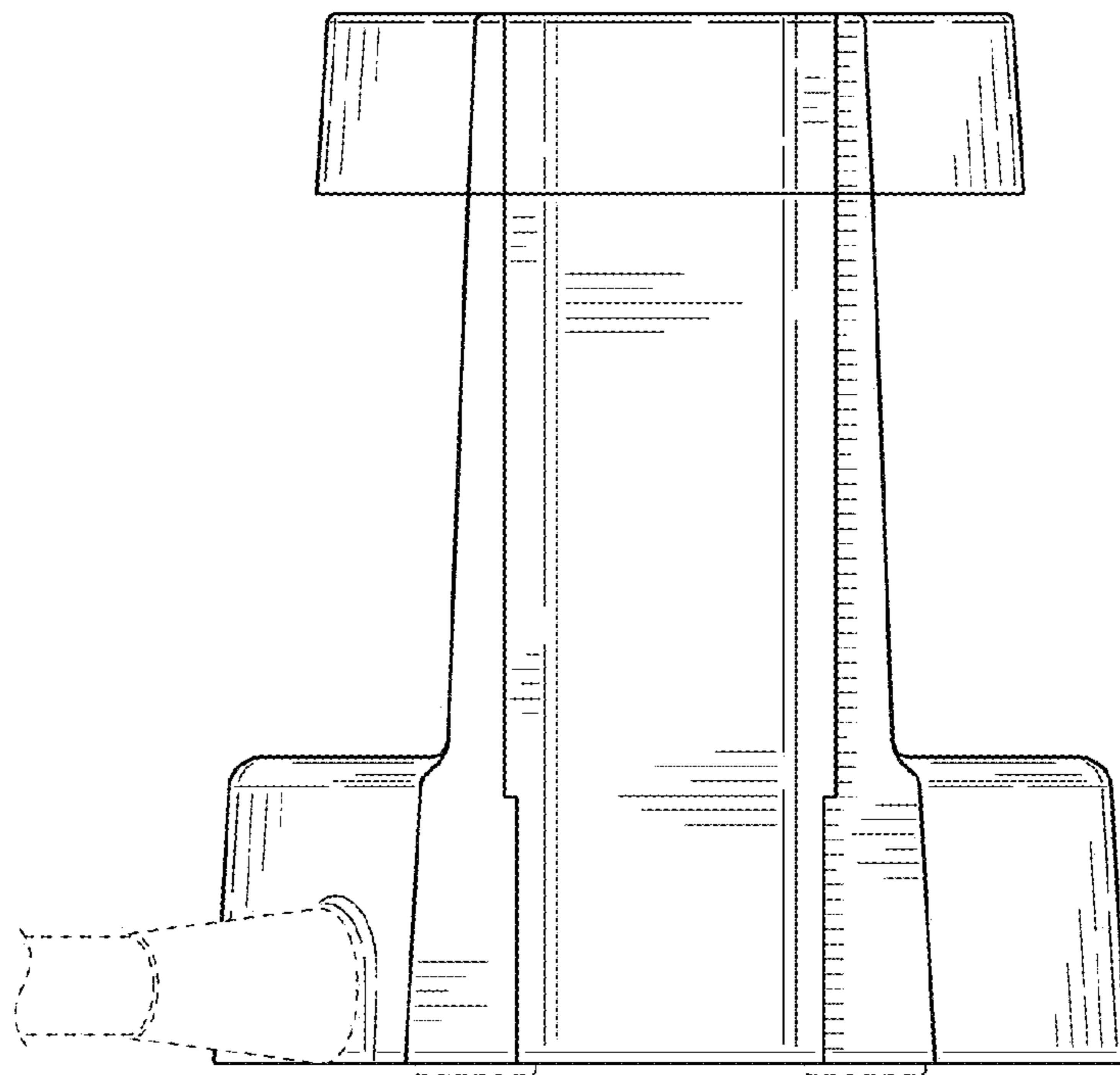


FIG. 4

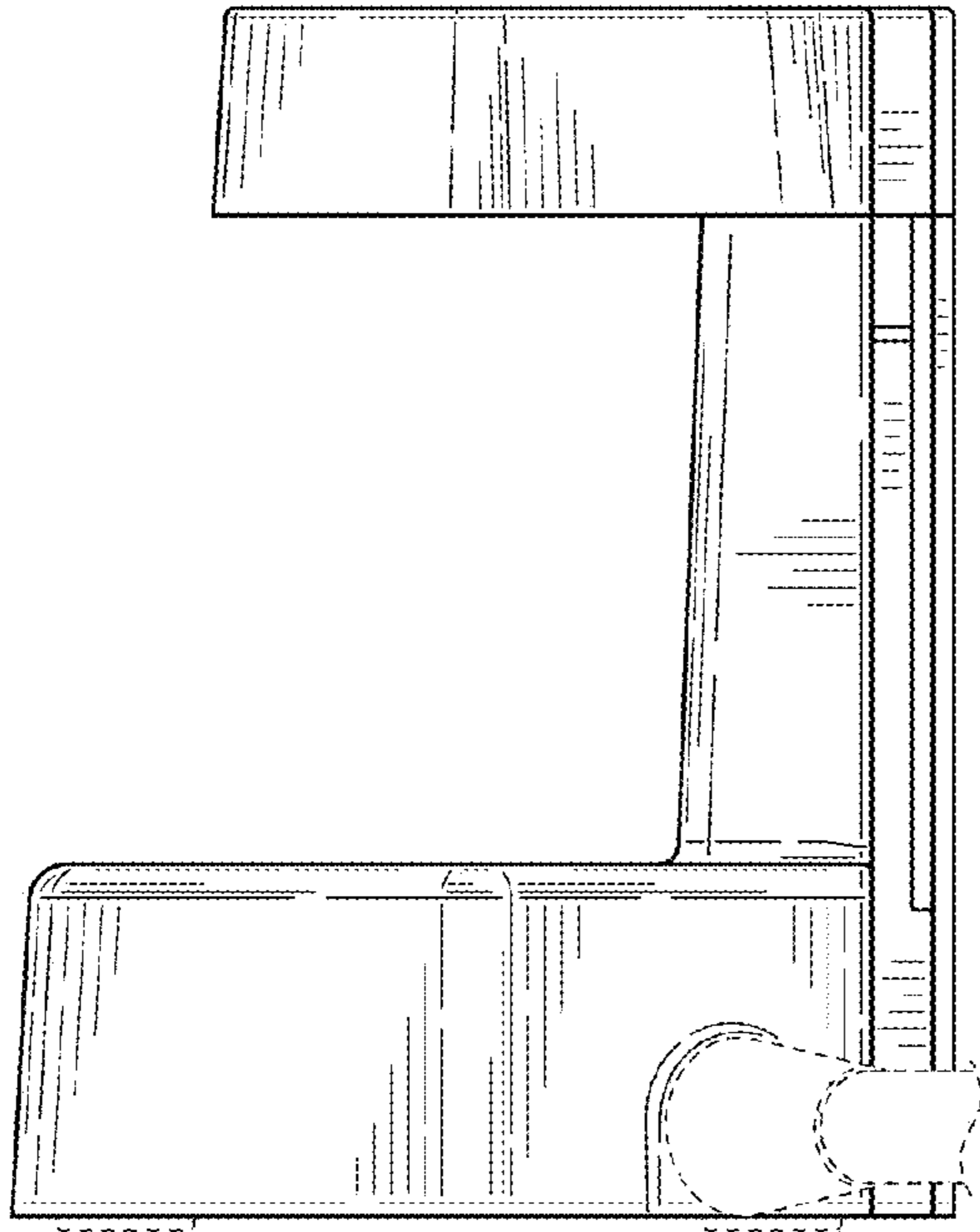


FIG. 5

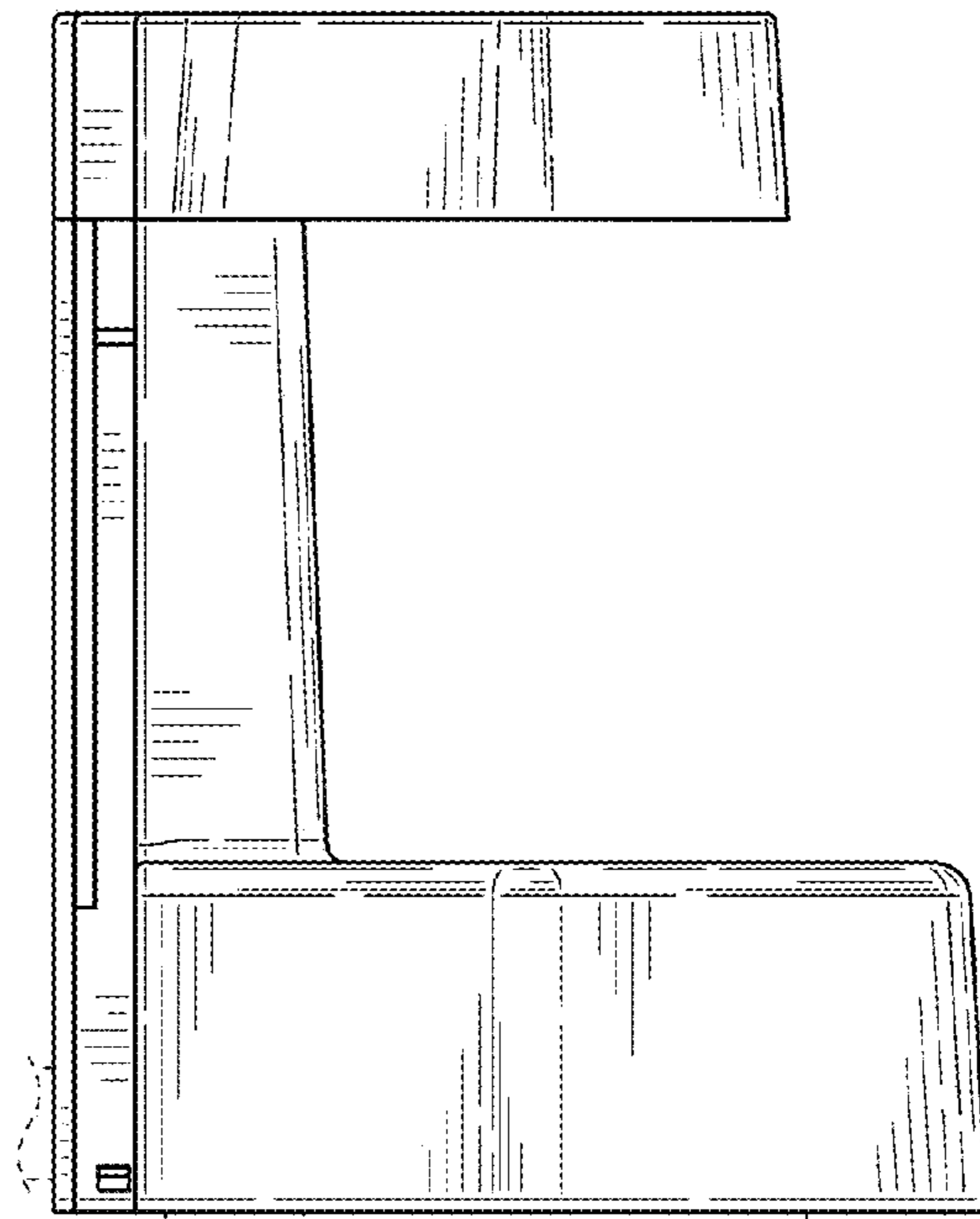


FIG. 6

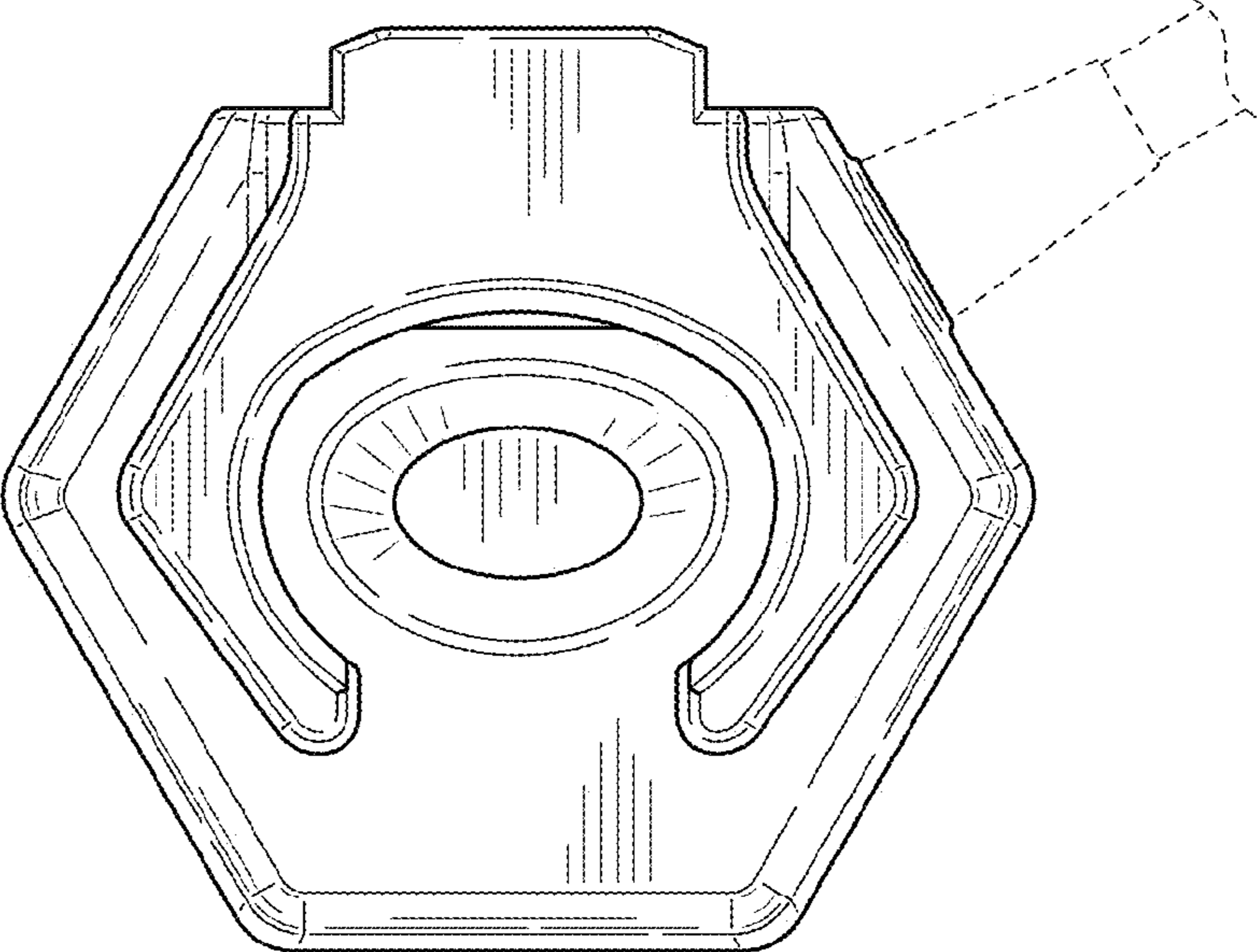


FIG. 7

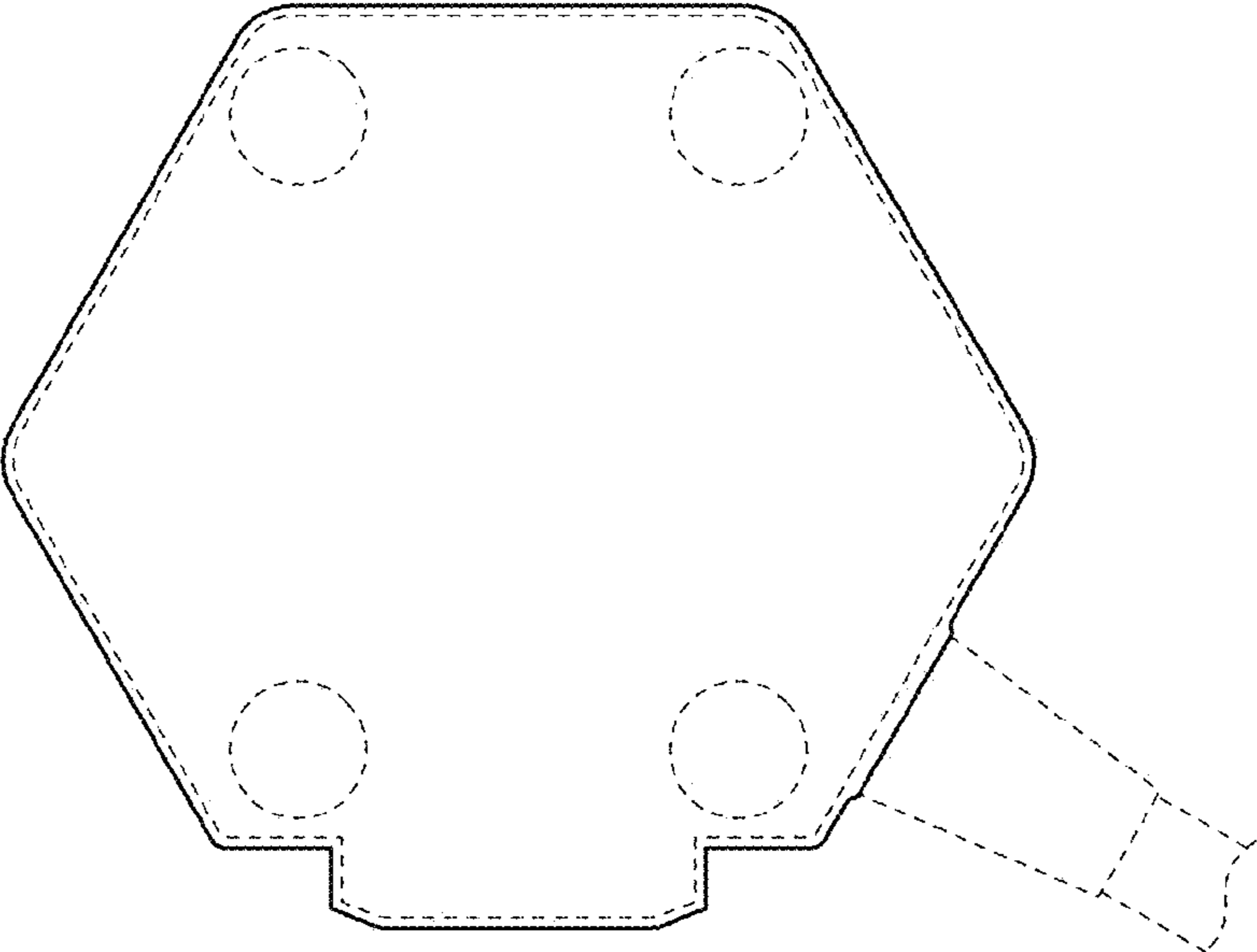


FIG. 8

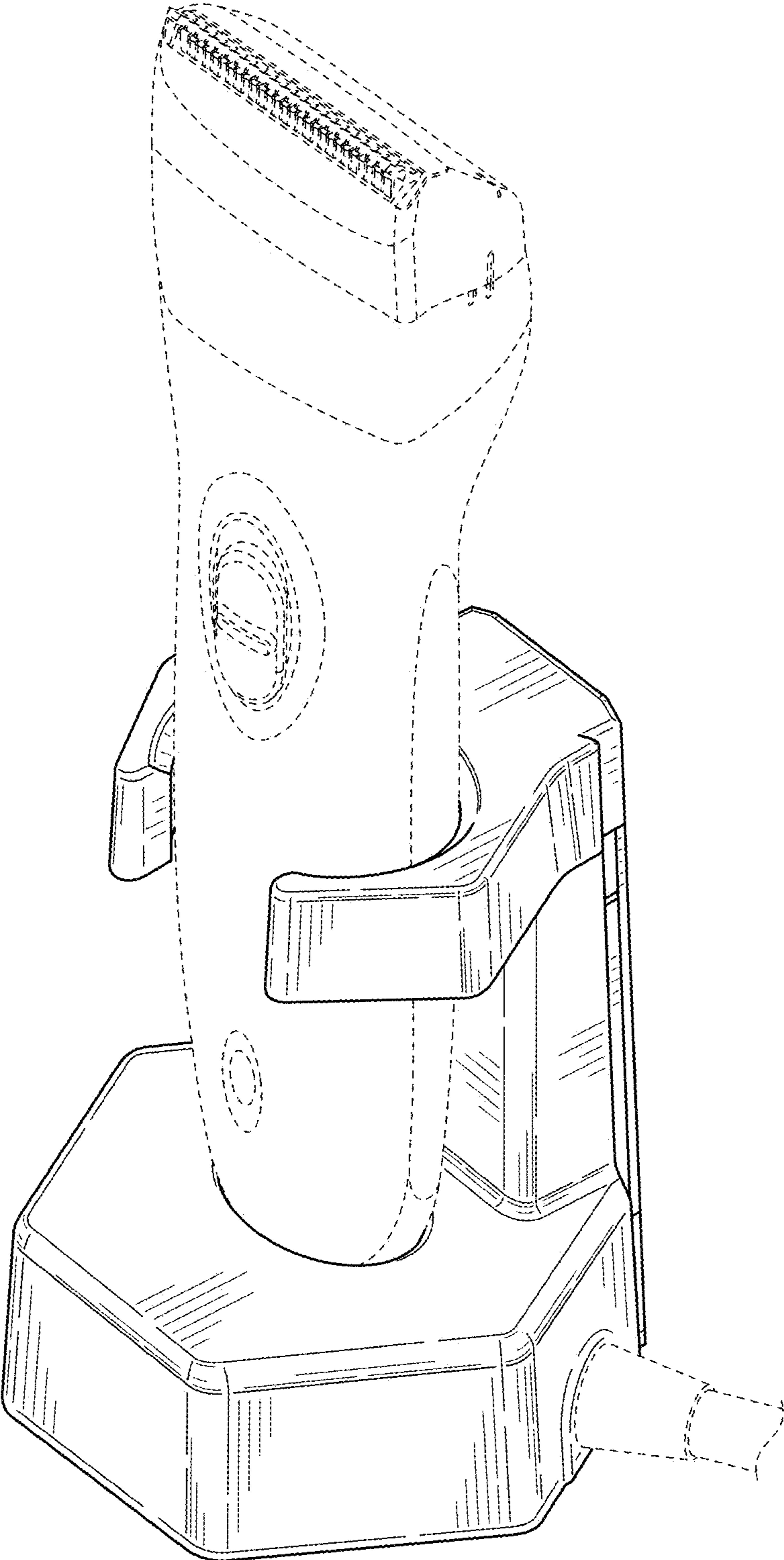


FIG. 9