



US00D692372S

(12) **United States Design Patent**
Rothschild et al.

(10) **Patent No.:** **US D692,372 S**

(45) **Date of Patent:** **** Oct. 29, 2013**

(54) **SOLAR PANEL BASE**

(76) Inventors: **Elie Rothschild**, San Francisco, CA (US); **John Humphrey**, Brooklyn, NY (US); **George Schnakenberg, III**, San Francisco, CA (US)

(**) Term: **14 Years**

(21) Appl. No.: **29/428,760**

(22) Filed: **Aug. 3, 2012**

(51) **LOC (9) Cl.** **13-02**

(52) **U.S. Cl.**
USPC **D13/102**

(58) **Field of Classification Search**
USPC D13/102, 101, 184, 199; D9/424, 425, D9/432; 136/243, 244, 251; 206/515, 518, 206/521.1; 244/172.7, 172.8, 172.9
See application file for complete search history.

(56) **References Cited**

U.S. PATENT DOCUMENTS

3,104,044 A * 9/1963 Reifers 229/407
D258,530 S * 3/1981 Atkinson D13/102
D276,026 S * 10/1984 Hexamer D9/425
5,768,831 A * 6/1998 Melchior 52/173.3

6,606,823 B1 * 8/2003 McDonough et al. 47/65.9
D510,315 S * 10/2005 Shugar et al. D13/102
D564,958 S * 3/2008 Almy et al. D13/102
D565,505 S * 4/2008 Shugar et al. D13/102
D647,049 S * 10/2011 Vaid et al. D13/102
2004/0250491 A1 * 12/2004 Diaz et al. 52/518
2007/0144575 A1 * 6/2007 Mascolo et al. 136/246

* cited by examiner

Primary Examiner — Derrick Holland

(74) *Attorney, Agent, or Firm* — Patwrite Law; Mark David Torche

(57) **CLAIM**

The ornamental design for a solar panel base, substantially as shown and described.

DESCRIPTION

FIG. 1 is a perspective view of a solar panel base showing our new design.

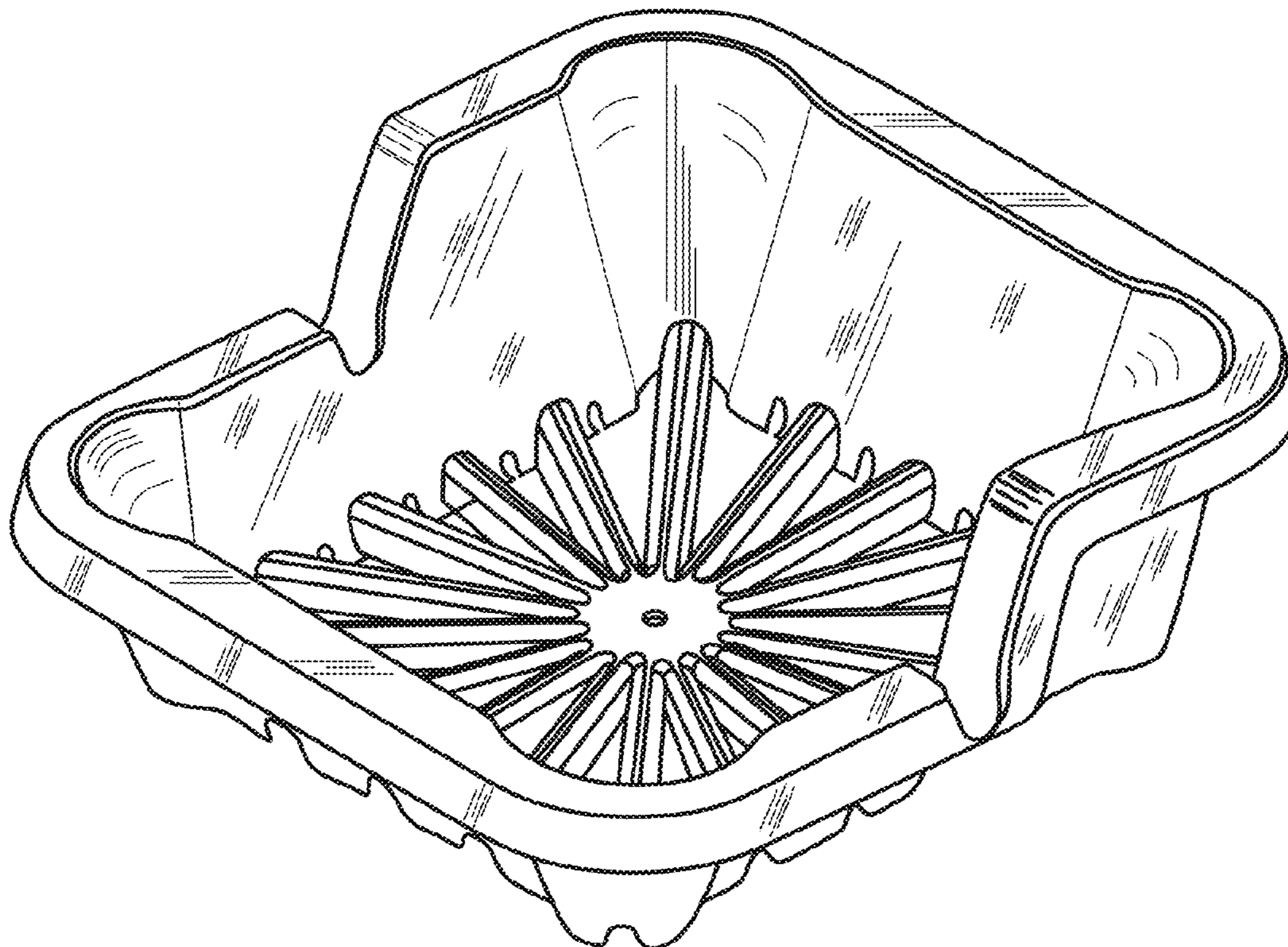
FIG. 2 is a side view of the solar panel base shown in FIG. 1.

FIG. 3 is a front view of the solar panel base shown in FIG. 1.

FIG. 4 is a top view of the solar panel base shown in FIG. 1; and,

FIG. 5 is a bottom view of the solar panel base shown in FIG. 1.

1 Claim, 3 Drawing Sheets



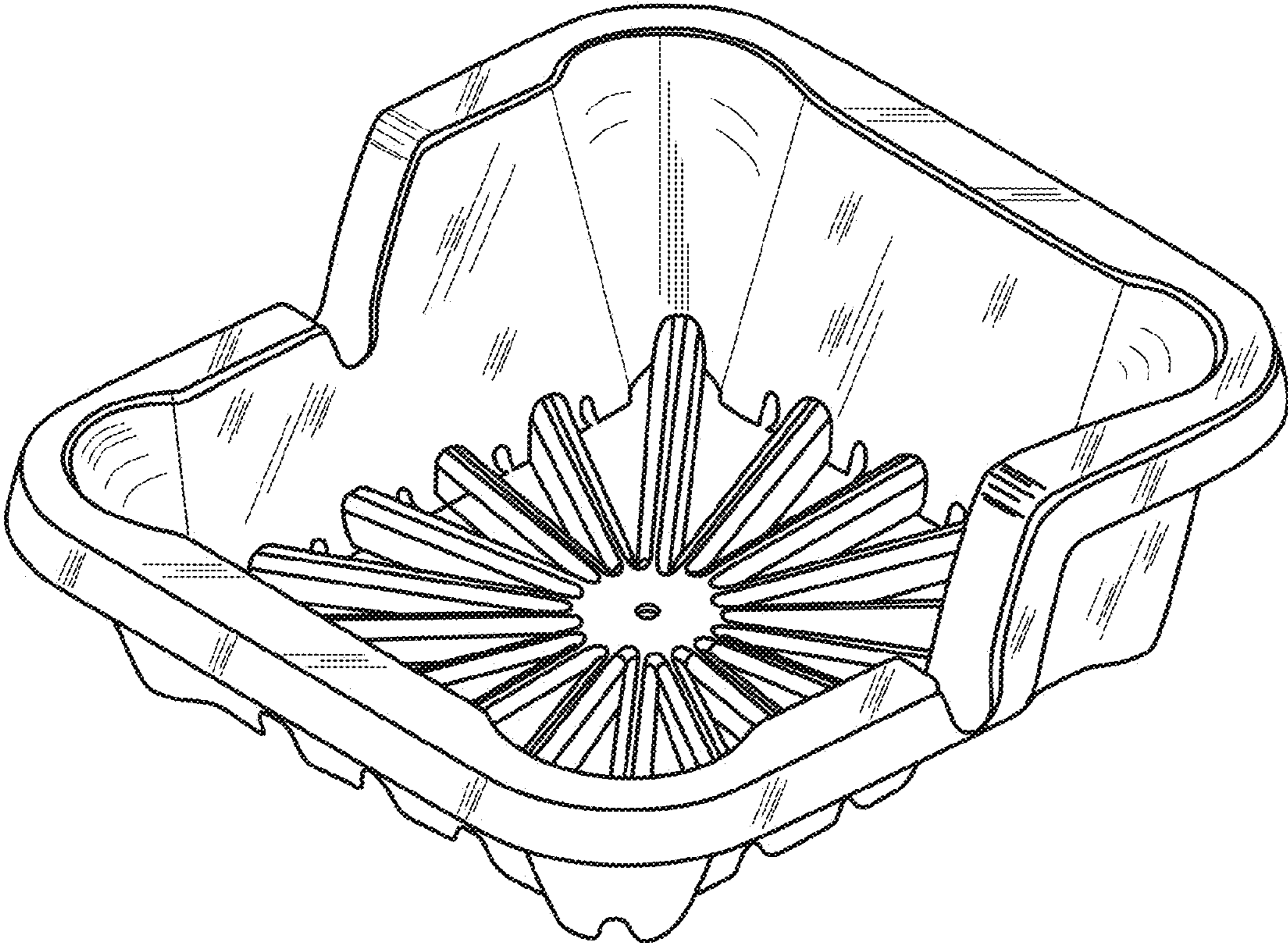


FIG. 1

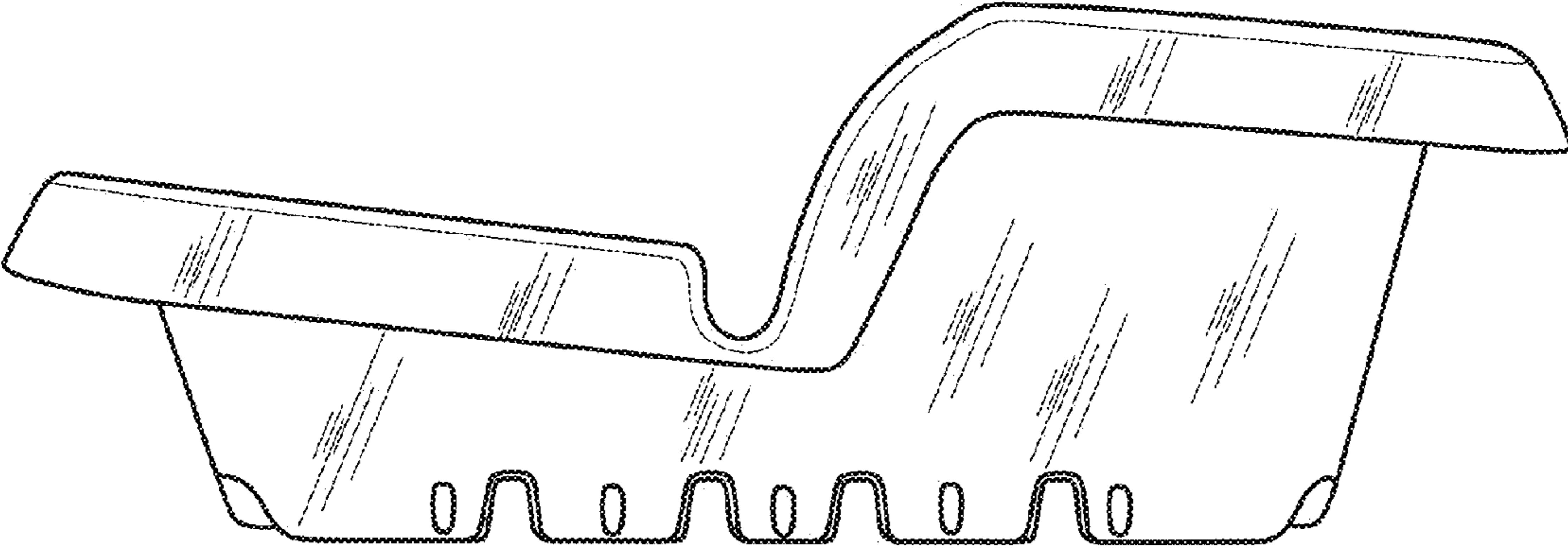


FIG. 2

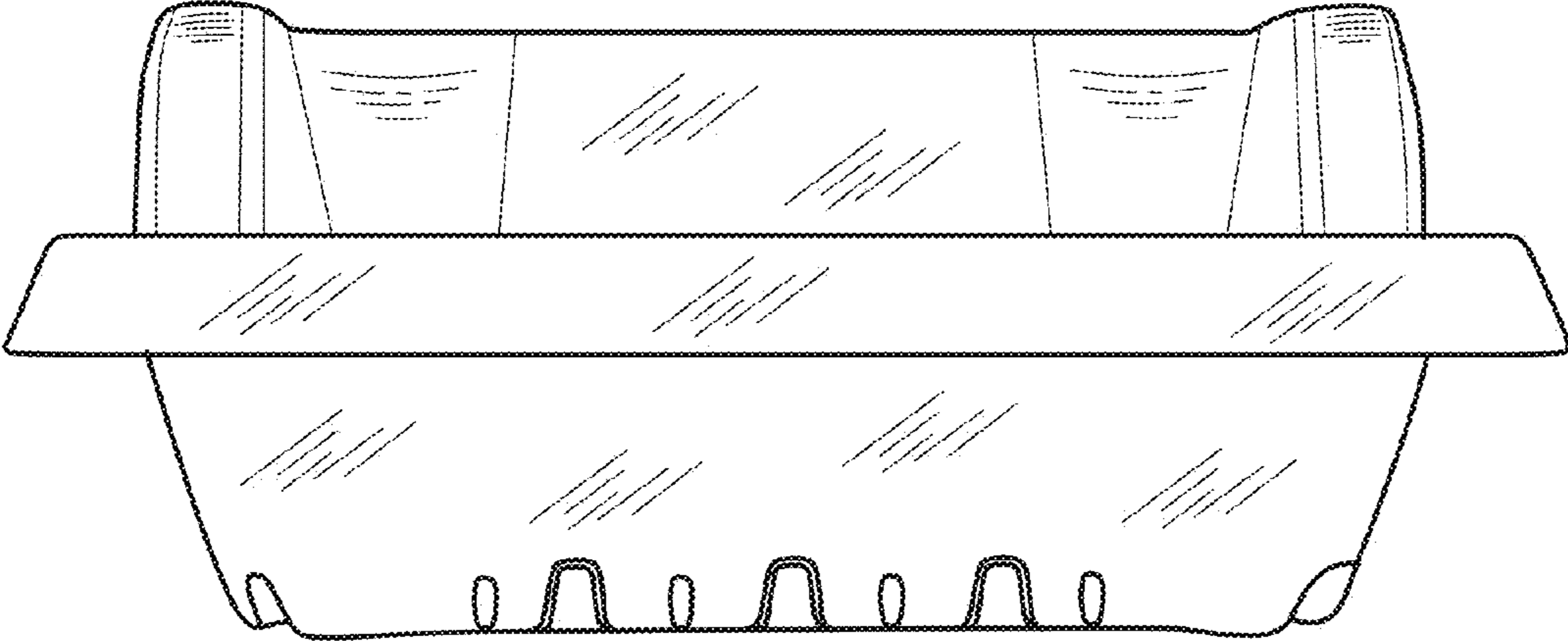


FIG. 3

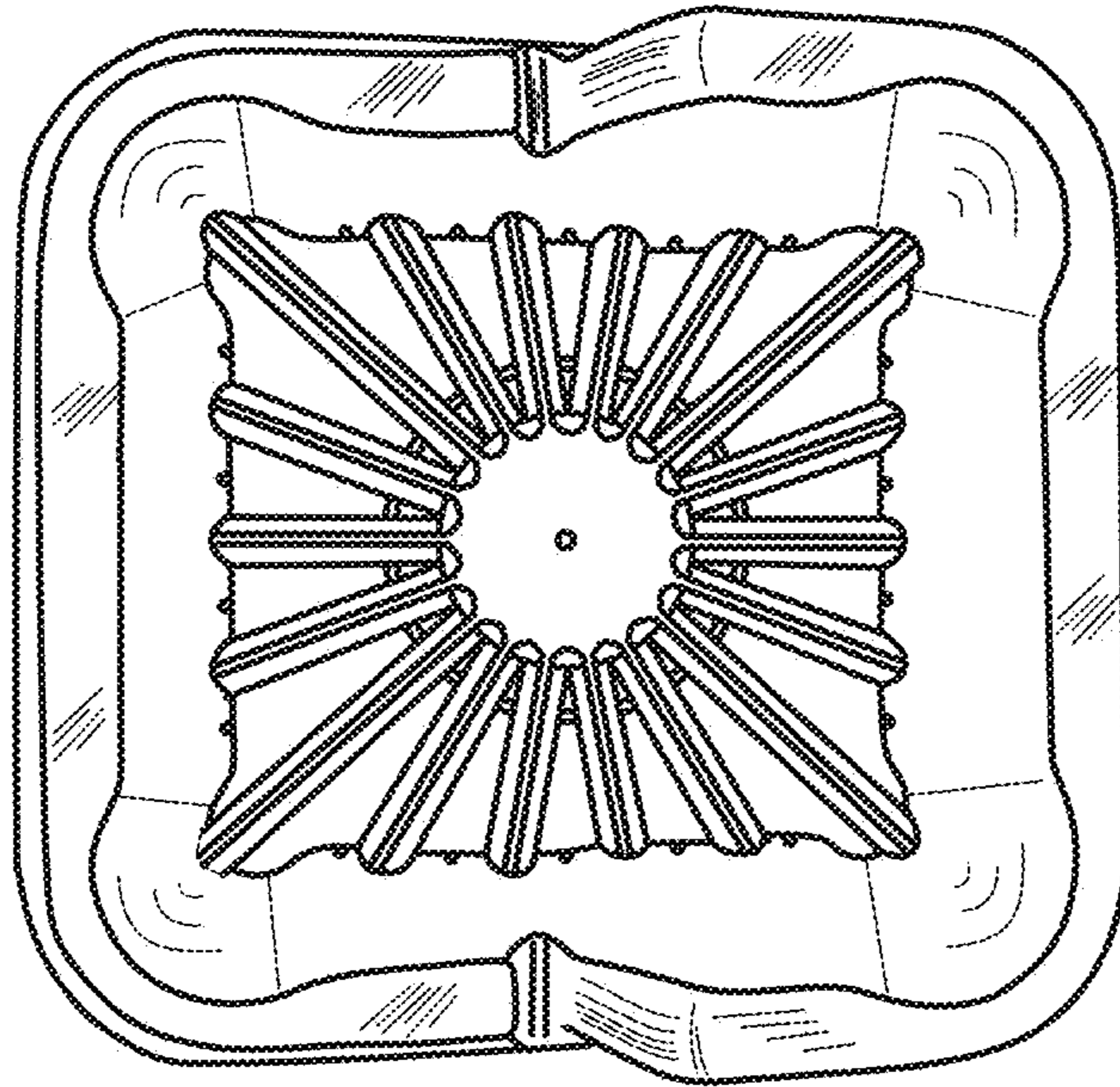


FIG. 4

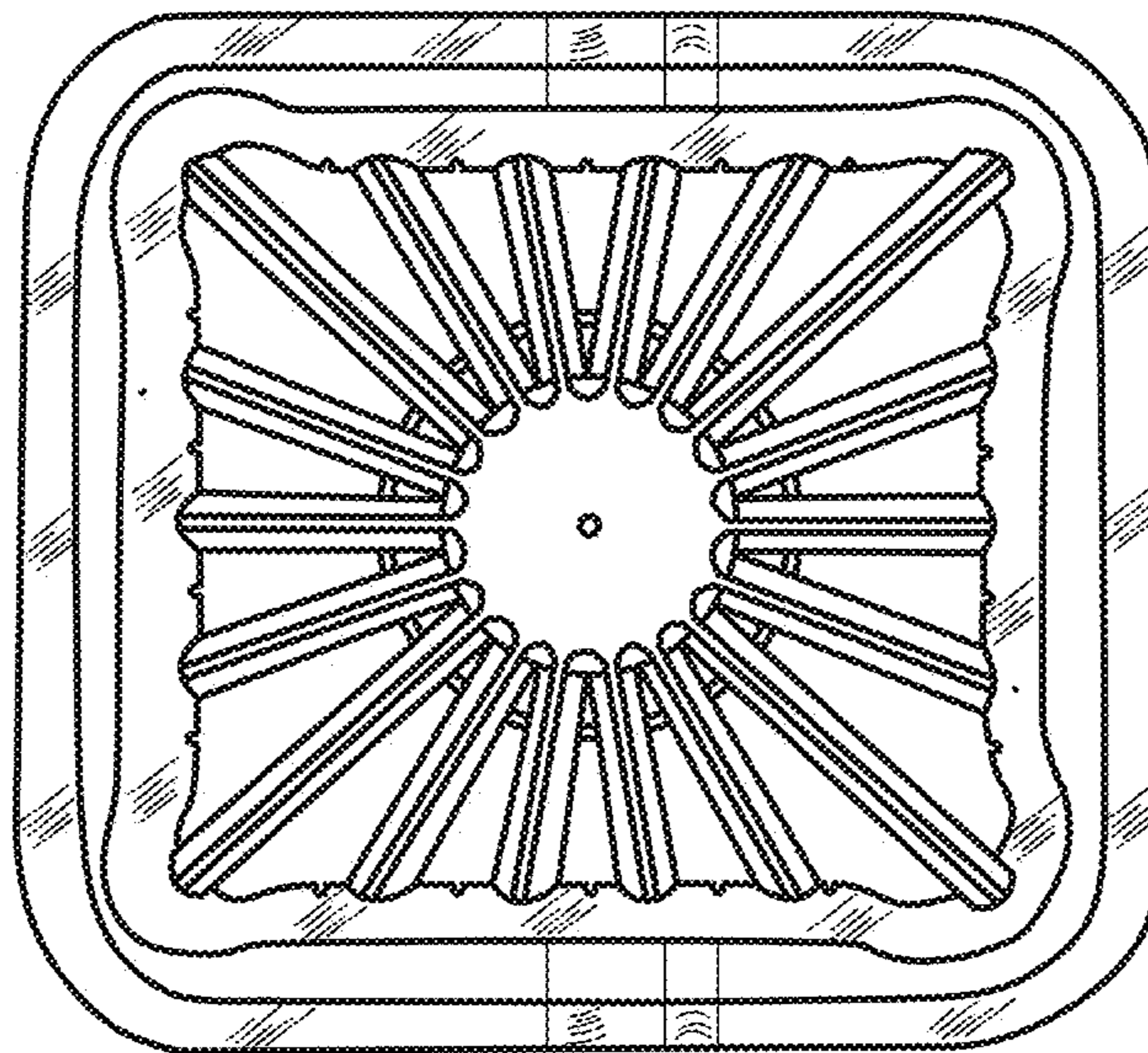


FIG. 5