

US00D692370S

(12) **United States Design Patent**  
**Chauvin et al.**

(10) **Patent No.:** **US D692,370 S**  
(45) **Date of Patent:** **\*\* Oct. 29, 2013**

(54) **DUAL PANEL WEATHER STRIP FOR A SUNROOF**

6,712,418 B1 \* 3/2004 Lathers ..... 296/100.02  
6,988,766 B2 1/2006 Yamada  
7,077,455 B2 \* 7/2006 Guillez et al. .... 296/107.08

(75) Inventors: **Kevin Chauvin**, Ann Arbor, MI (US);  
**Yoji Nagashima**, Kariya (JP); **Nobuhiro Mizoguchi**, Kariya (JP)

\* cited by examiner

(73) Assignee: **Aisin Technical Center of America, Inc.**, Plymouth, MI (US)

*Primary Examiner* — Katrina A Betton

(74) *Attorney, Agent, or Firm* — Oblon, Spivak, McClelland, Maier & Neustadt, L.L.P

(\*\*) Term: **14 Years**

(57) **CLAIM**

The ornamental design for a dual panel weather strip for a sunroof, as shown and described.

(21) Appl. No.: **29/411,425**

**DESCRIPTION**

(22) Filed: **Jan. 20, 2012**

(51) **LOC (9) Cl.** ..... **12-16**

(52) **U.S. Cl.**  
USPC ..... **D12/414**

(58) **Field of Classification Search**  
USPC ..... D12/401-405; 160/370.21, 370.22,  
160/370.23; 280/770; 150/158, 165-167;  
296/100.11-100.18, 136.01, 136.07,  
296/136.05, 136.06, 95.1, 77.1; 135/88.01,  
135/95

See application file for complete search history.

FIG. 1 is a right, front perspective view of a dual panel weather strip for a sunroof according to the invention with the panels together;

FIG. 2 is a top plan view thereof with the panels together;

FIG. 3 is a bottom plan view thereof with the panels together;

FIG. 4 is a right elevational view thereof with the panels together;

FIG. 5 is a right, front perspective view thereof with the panels apart;

FIG. 6 is a top plan view thereof with the panels apart;

FIG. 7 is a bottom plan view thereof with the panels apart; and,

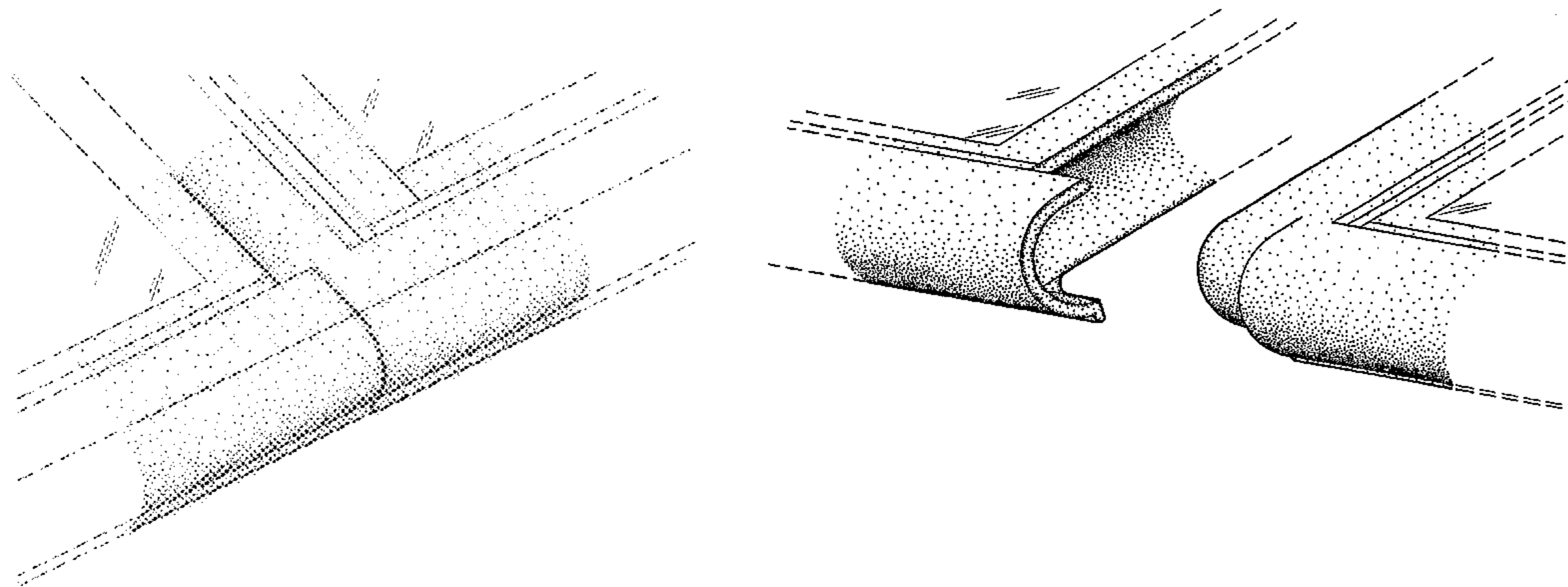
FIG. 8 is a right elevational view thereof with the panels apart. In the drawings, the broken lines depict portions of the article that form no part of the claim.

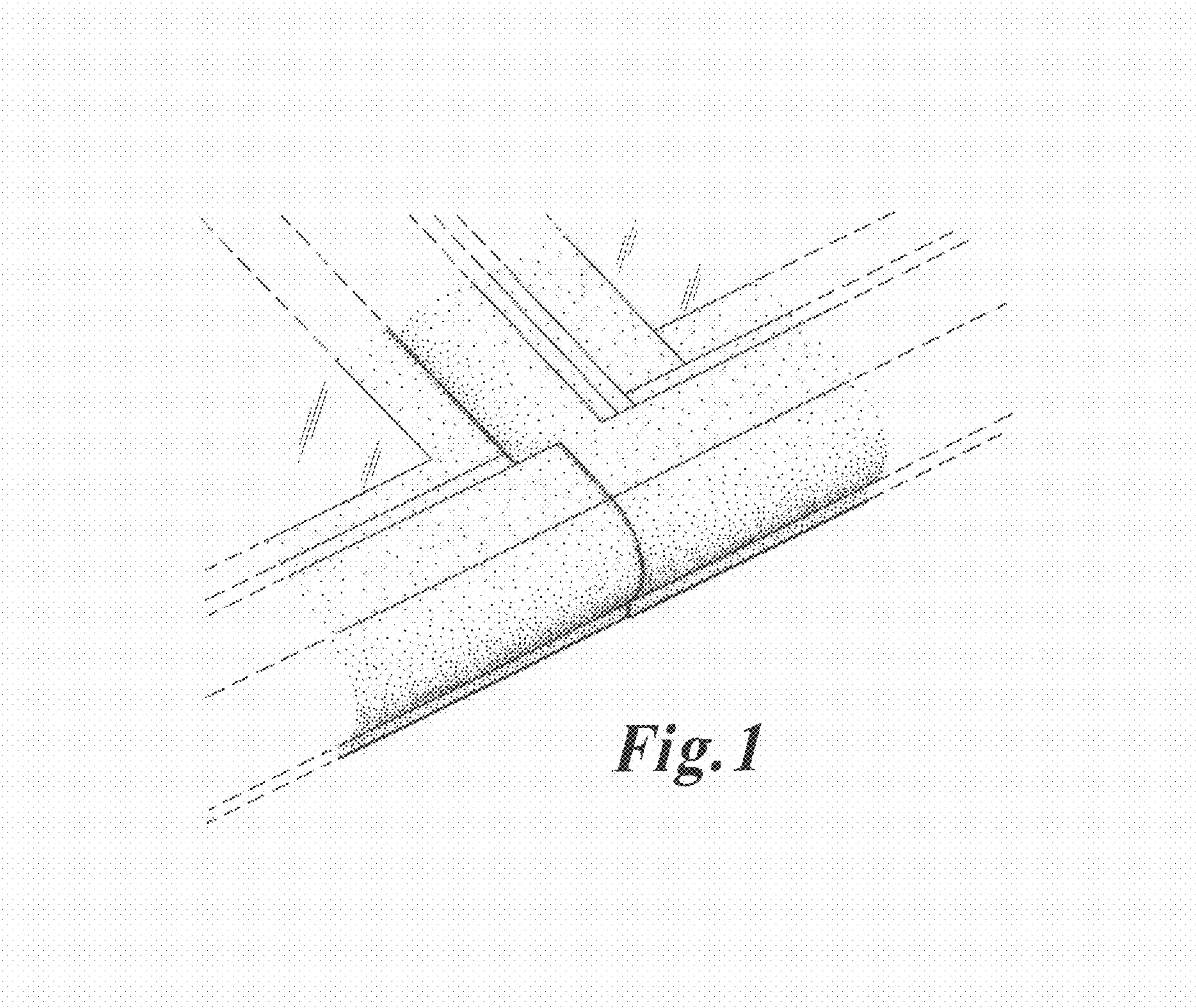
(56) **References Cited**

U.S. PATENT DOCUMENTS

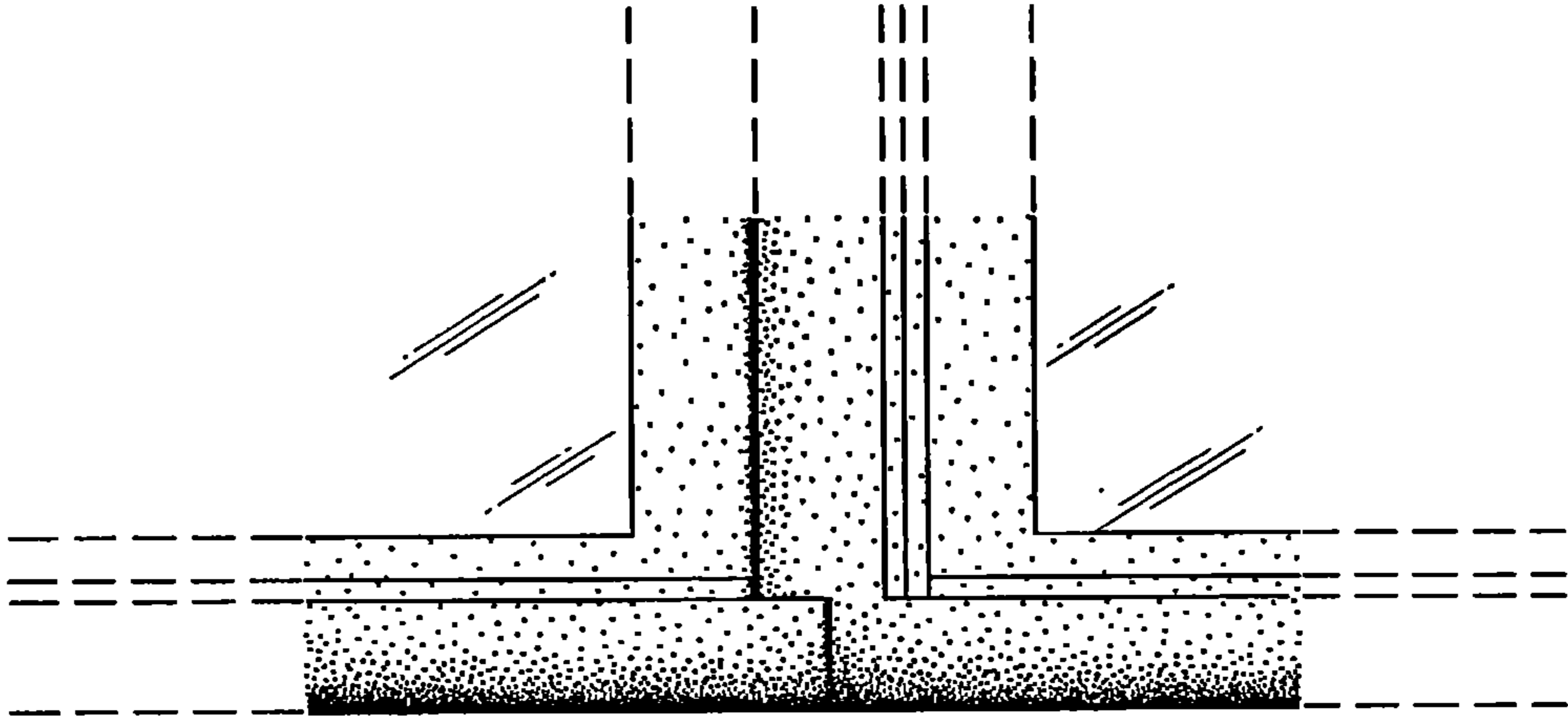
5,921,608 A \* 7/1999 Schmitt et al. .... 296/107.08  
6,332,645 B1 12/2001 Schwarz  
6,685,263 B2 2/2004 Sawada et al.

**1 Claim, 7 Drawing Sheets**

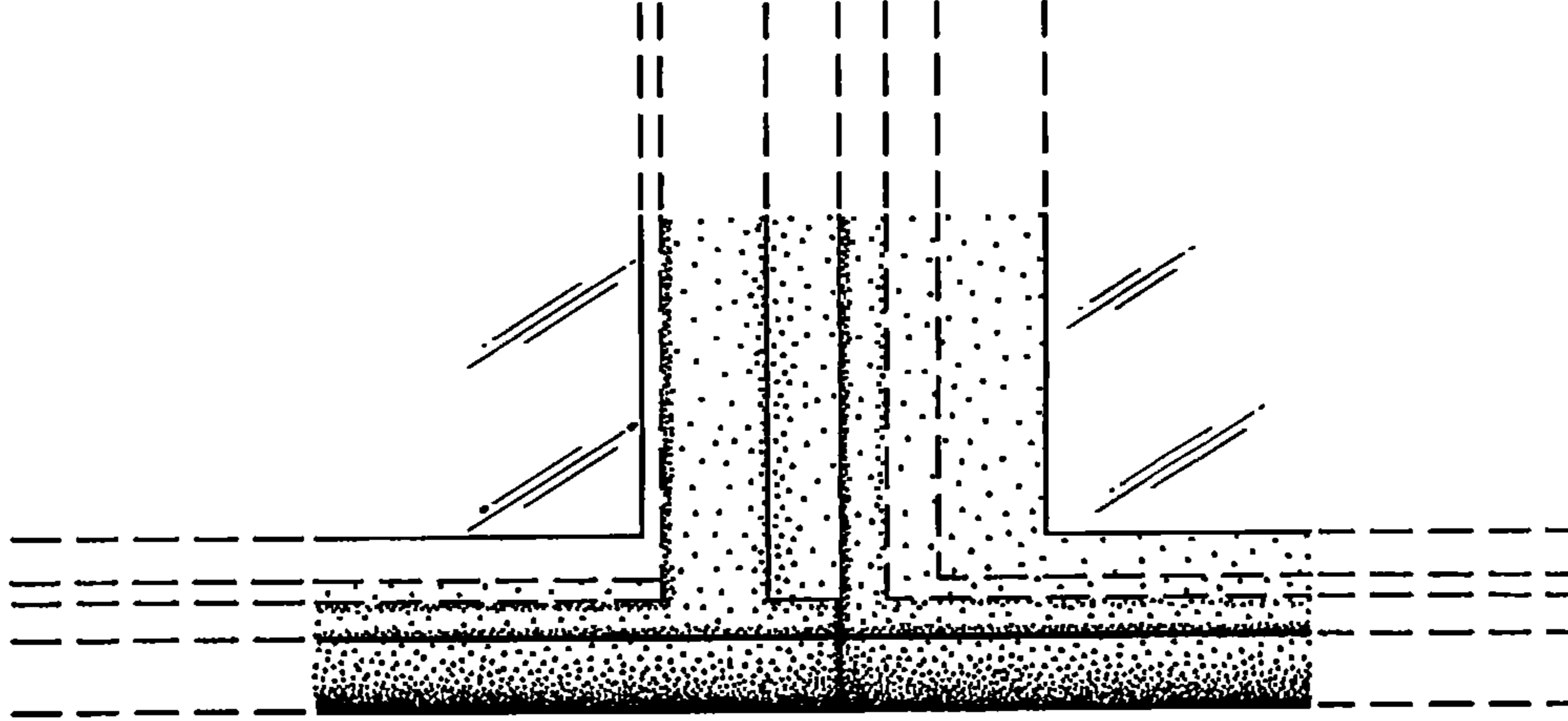




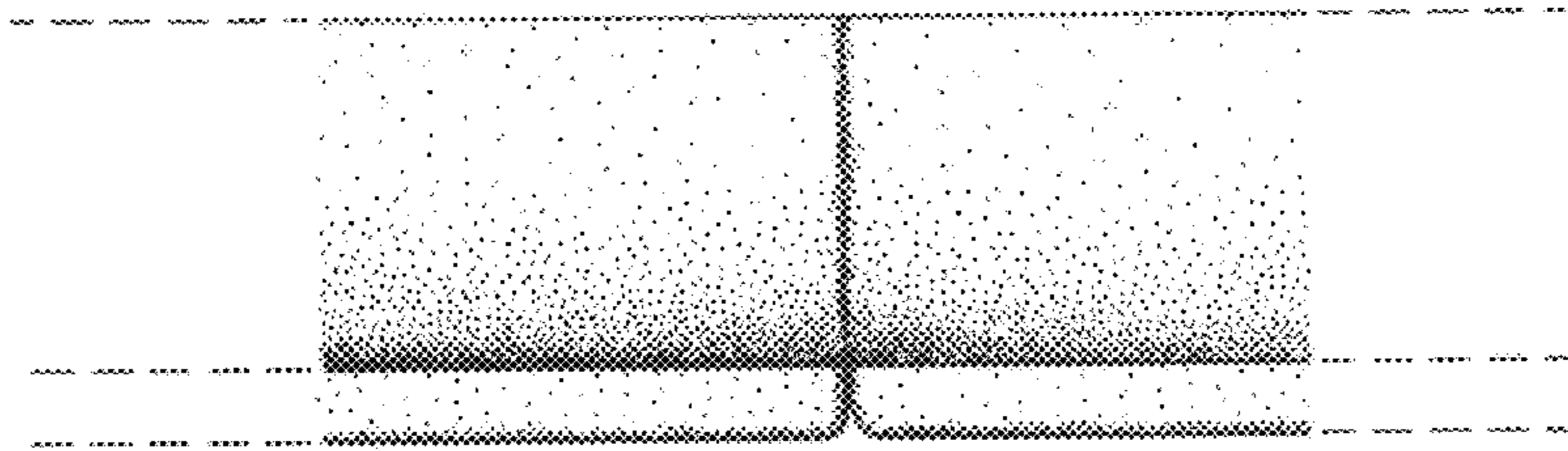
*Fig. 1*



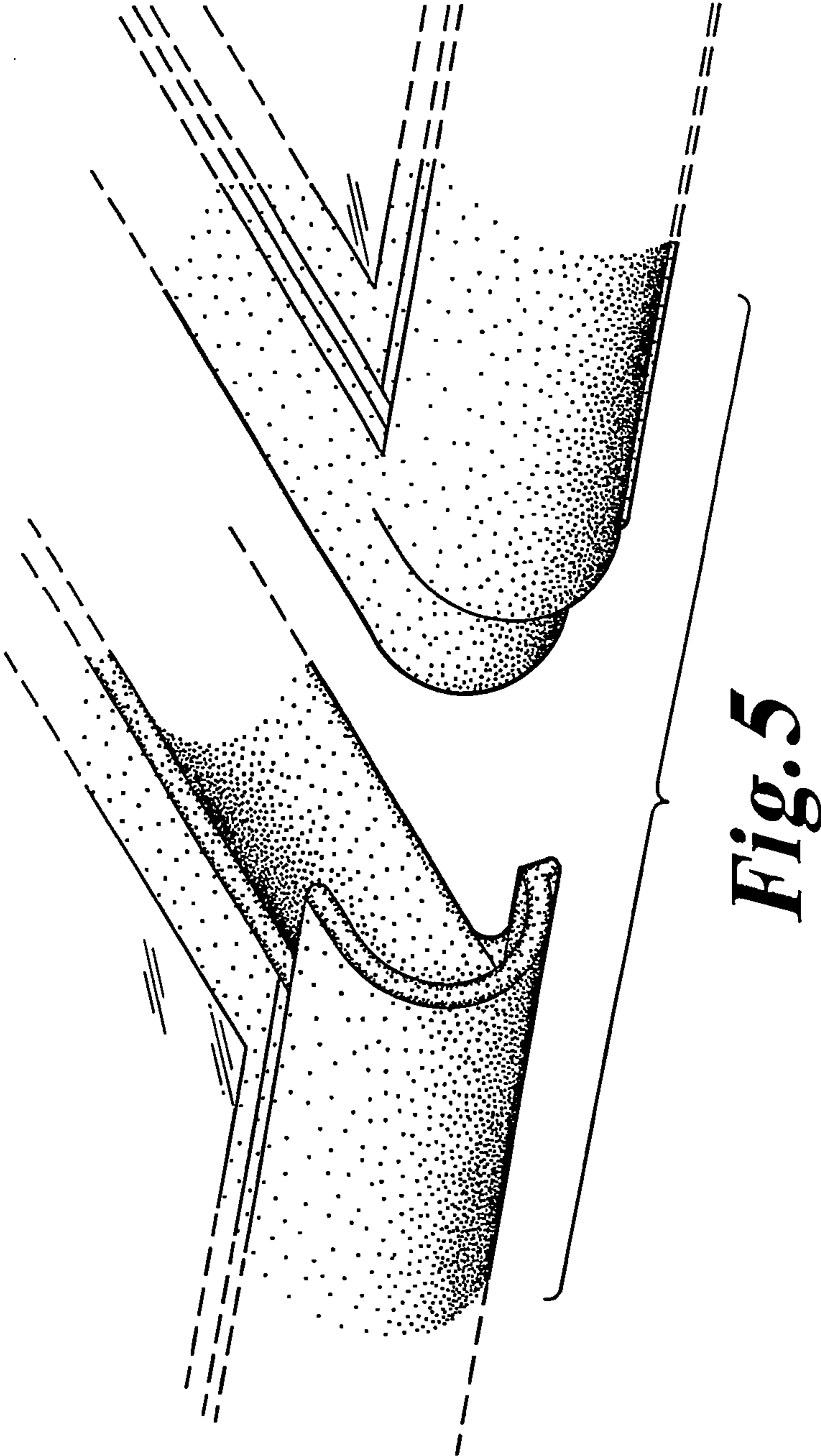
*Fig. 2*

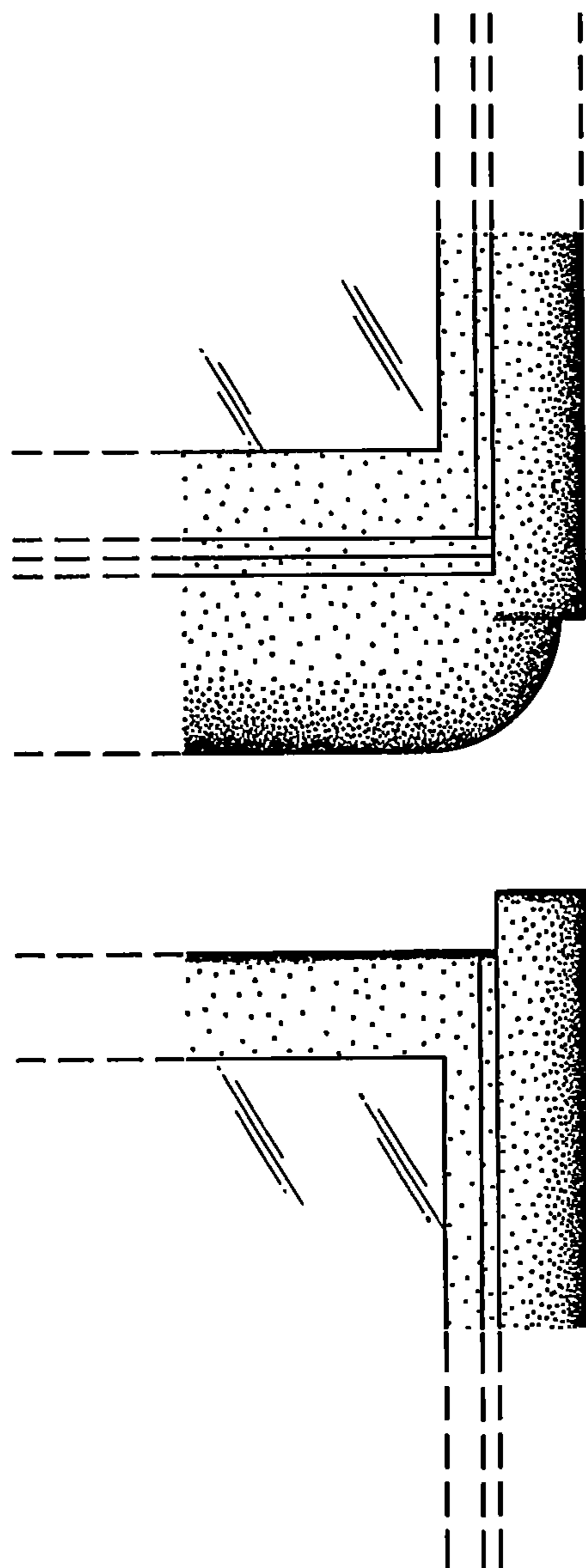


*Fig. 3*

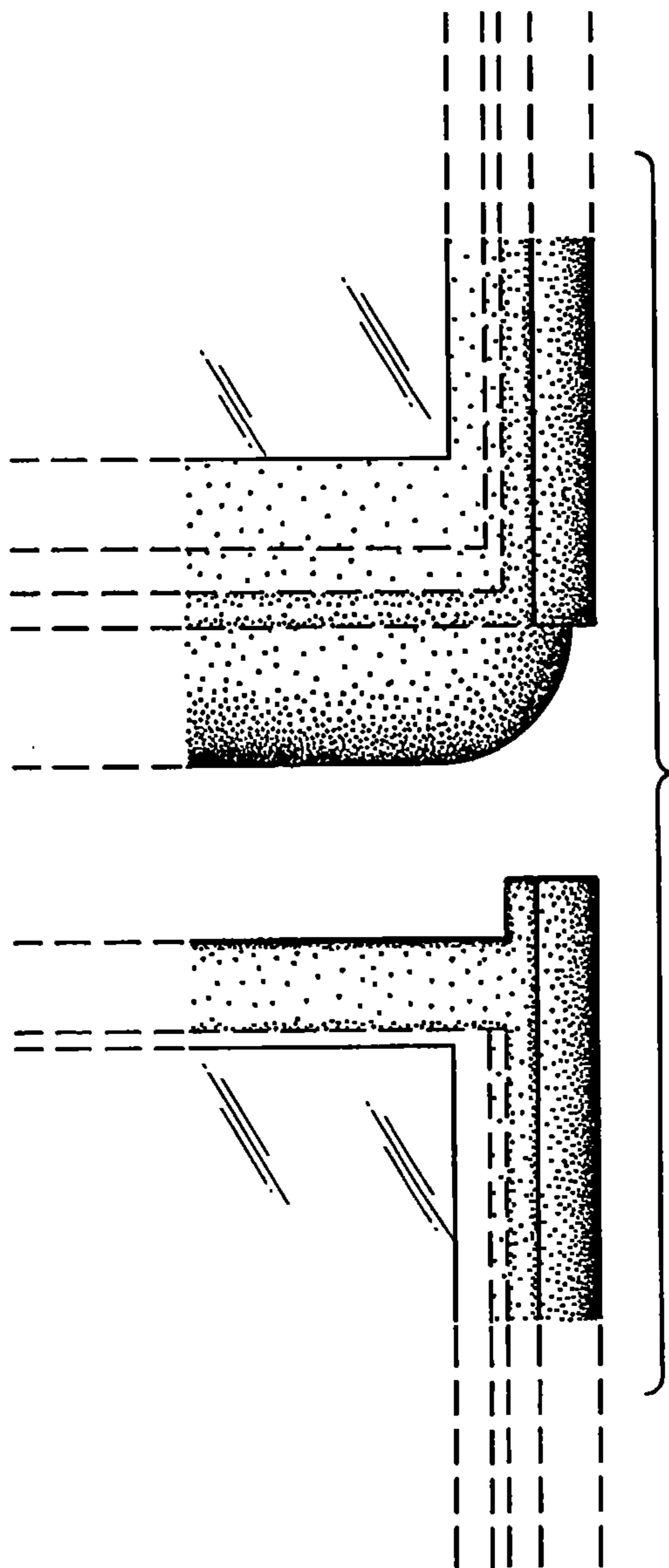


*Fig. 4*

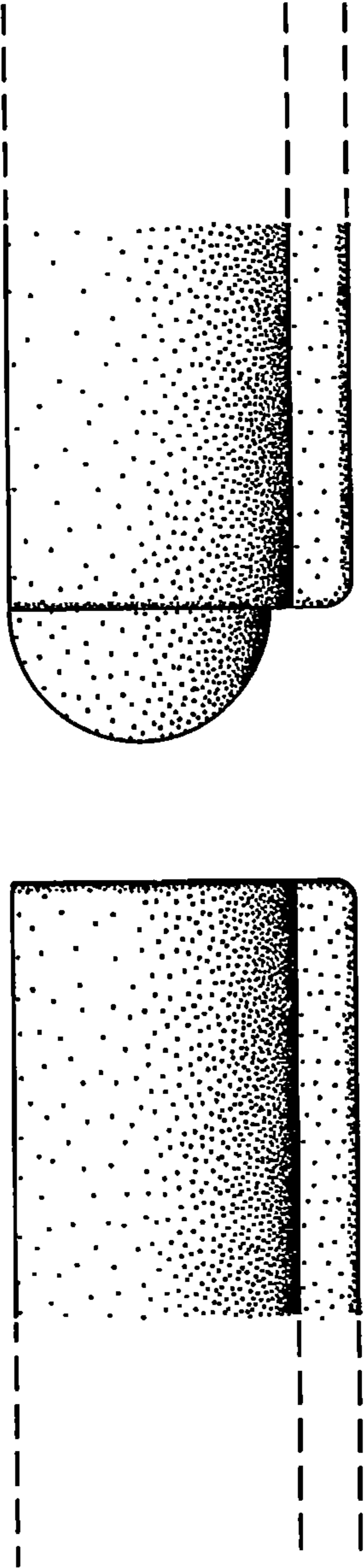




*Fig. 6*



*Fig. 7*



*Fig. 8*