

US00D692369S

(12) **United States Design Patent**
Mezzanatto

(10) **Patent No.:** **US D692,369 S**

(45) **Date of Patent:** **** Oct. 29, 2013**

(54) **TRUCK BED HANGER DEVICE**

6,789,687 B2 * 9/2004 Cramer 211/106.01
D568,231 S * 5/2008 Frischer et al. D12/414
D627,995 S * 11/2010 Osterle D6/500

(76) Inventor: **Steve Wade Mezzanatto**, Applegate, OR
(US)

* cited by examiner

(**) Term: **14 Years**

Primary Examiner — Katrina A Betton

(21) Appl. No.: **29/398,465**

(74) *Attorney, Agent, or Firm* — Eric Hanscom; Todd Langford

(22) Filed: **Jul. 31, 2011**

(51) **LOC (9) Cl.** **12-16**

(52) **U.S. Cl.**
USPC **D12/414**

(58) **Field of Classification Search**
USPC D12/414; D32/35, 58; D6/317–319,
D6/513–514; 206/213, 8, 9, 279, 290, 713,
206/335

See application file for complete search history.

(57) **CLAIM**

The ornamental design for a truck bed hanger device, as shown and described.

DESCRIPTION

FIG. 1 is a perspective, partial cut-away view of a truck bed hanger device showing my new design, showing how it appears when attached to the bed of a pickup truck;

FIG. 2 is a perspective view thereof;

FIG. 3 is a back view thereof;

FIG. 4 is a top view thereof;

FIG. 5 is a left-side view thereof;

FIG. 6 is a front view thereof; and

FIG. 7 is a right-side view thereof; and,

FIG. 8 is a bottom view thereof.

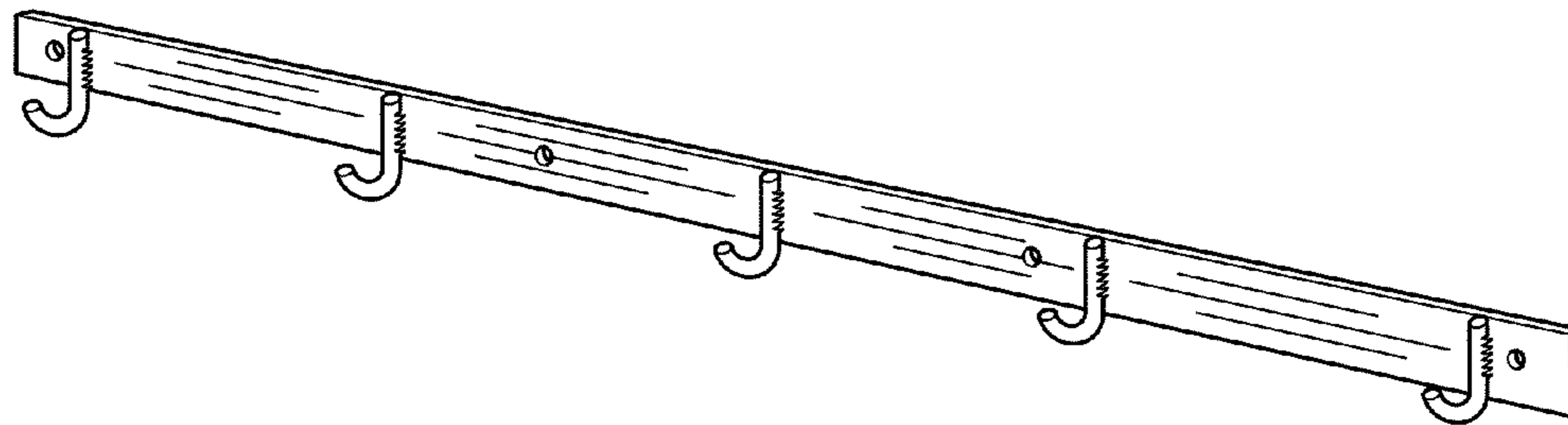
In the drawings, the broken lines in FIG. 1 depict a pickup truck and forms no part of the claimed design.

(56) **References Cited**

U.S. PATENT DOCUMENTS

1,815,673 A * 7/1931 Kelley 211/119
D275,673 S * 9/1984 Iino et al. D14/230
5,836,634 A * 11/1998 Finkelman 294/159
D411,701 S * 6/1999 Klein et al. D6/513
D460,039 S * 7/2002 Smith D12/414
D472,084 S * 3/2003 Kollner D6/513
D487,357 S * 3/2004 Holt D6/326
D489,618 S * 5/2004 Startek D9/455

1 Claim, 1 Drawing Sheet



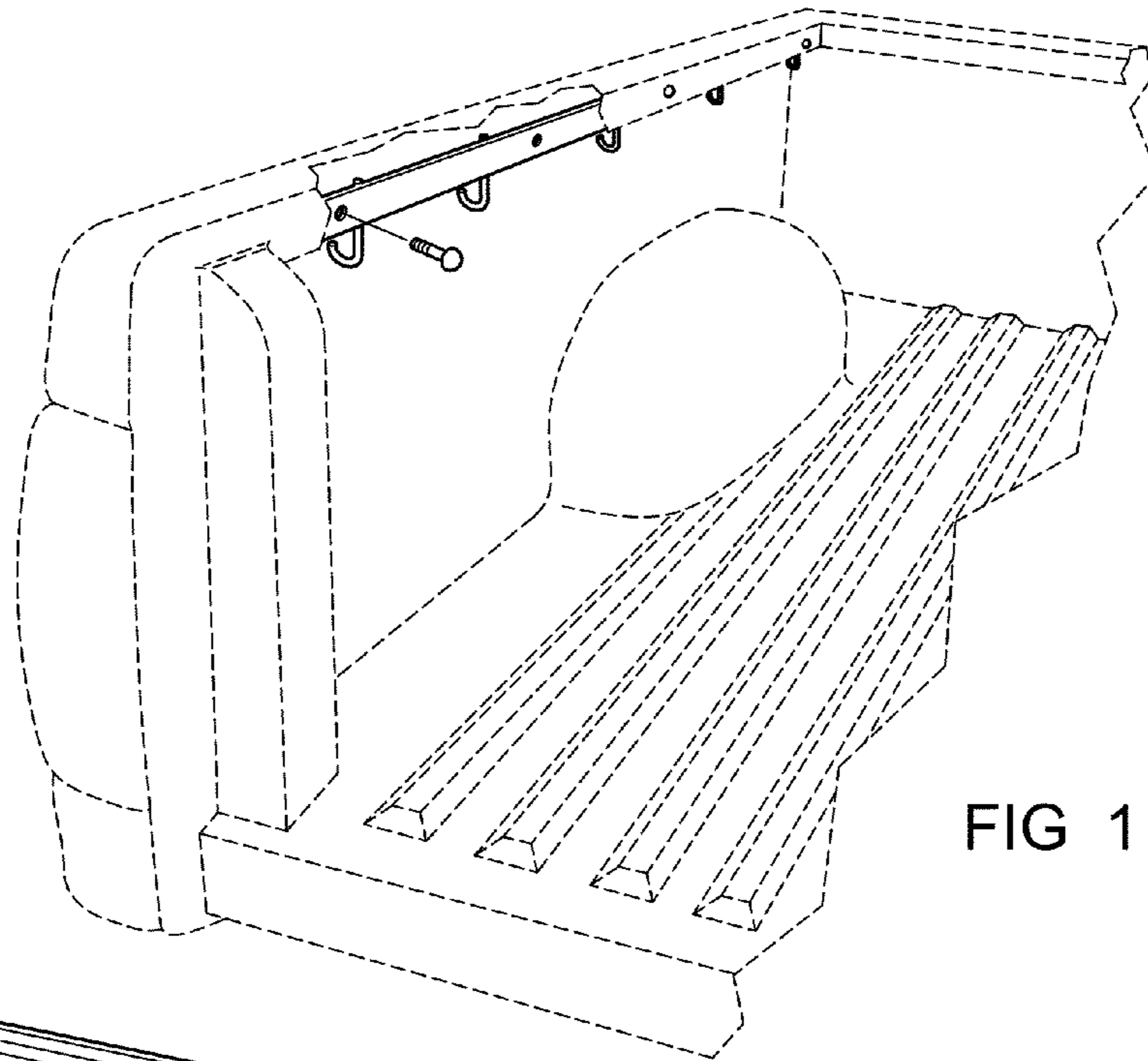


FIG 1

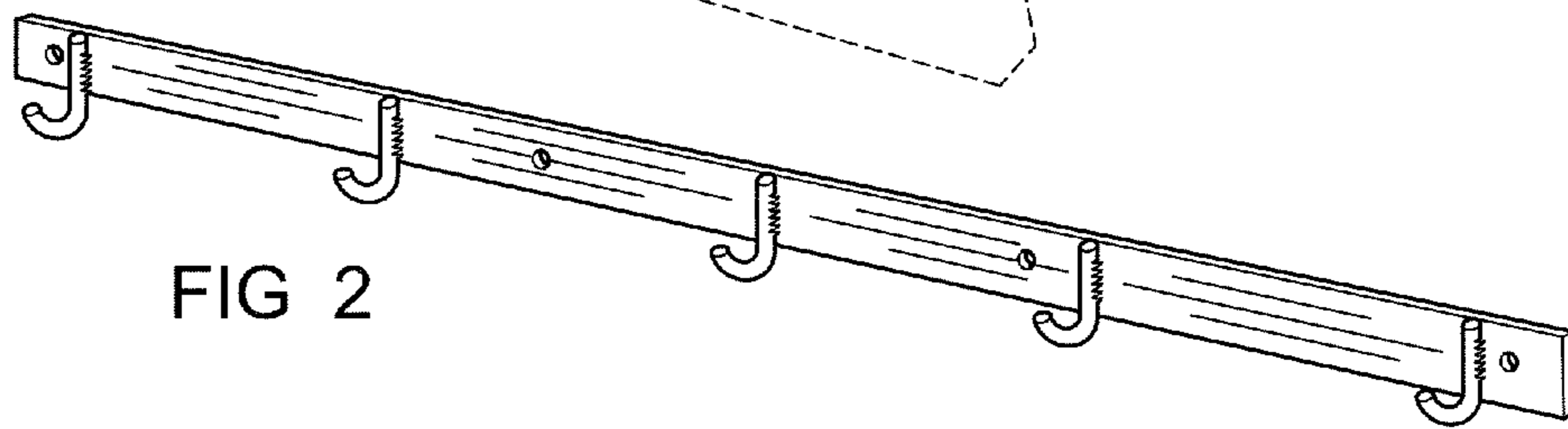


FIG 2

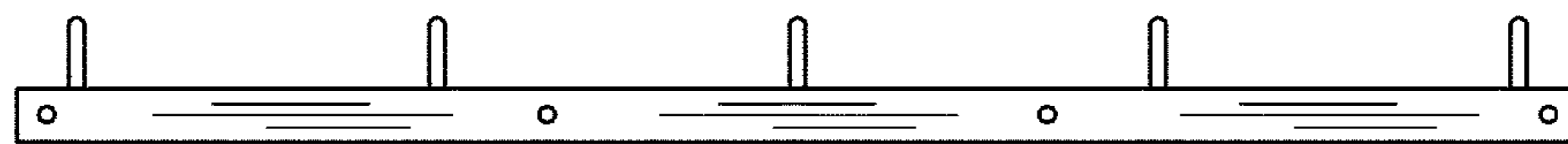


FIG 3

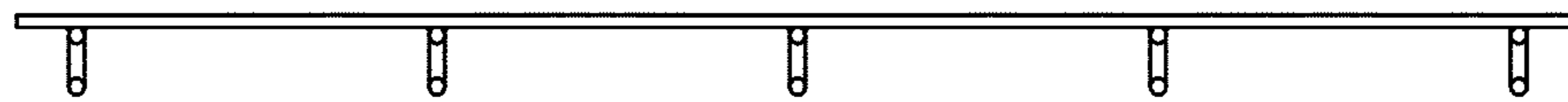


FIG 4

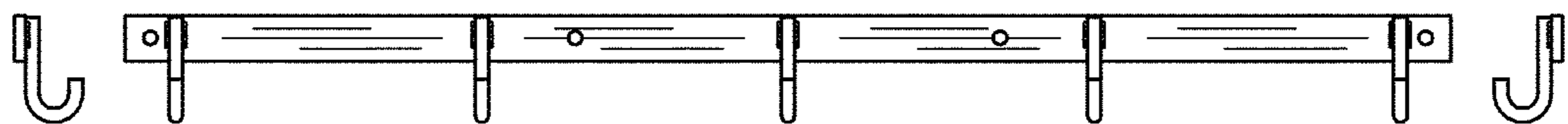


FIG 5

FIG 6

FIG 7

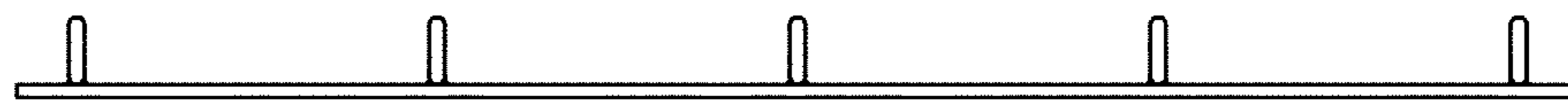


FIG 8