

US00D692356S

(12) **United States Design Patent**
Owen et al.

(10) **Patent No.:** **US D692,356 S**
(45) **Date of Patent:** **** Oct. 29, 2013**

(54) **VEHICLE BRAKE**
(75) Inventors: **Robert Owen**, Niefern-Oeschelbronn (DE); **Anthony-Robert Hatter**, Weissach (DE)
(73) Assignee: **Dr. Ing. h.c. F. Porsche Aktiengesellschaft** (DE)
(**) Term: **14 Years**
(21) Appl. No.: **29/404,844**
(22) Filed: **Oct. 26, 2011**

D610,059	S	*	2/2010	Azimonti	D12/180
D610,507	S	*	2/2010	Azimonti	D12/180
D619,063	S	*	7/2010	Veneziano et al.	D12/180
D623,102	S	*	9/2010	Gherardi et al.	D12/180
D630,141	S	*	1/2011	Chen	D12/180
D642,100	S	*	7/2011	Crippa et al.	D12/180
8,205,726	B2	*	6/2012	Schorn et al.	188/73.37
2001/0013448	A1	*	8/2001	Schorn et al.	188/71.1
2003/0089559	A1	*	5/2003	Stahl et al.	188/71.1
2005/0077124	A1	*	4/2005	Reeves	188/72.5
2007/0119666	A1	*	5/2007	Barbosa et al.	188/73.46
2007/0278049	A1	*	12/2007	Kobayashi et al.	188/73.39
2008/0029351	A1	*	2/2008	Gruber et al.	188/18 A
2008/0029356	A1	*	2/2008	Halasy-Wimmer	188/73.45
2009/0071767	A1	*	3/2009	Bass et al.	188/72.5
2011/0226566	A1	*	9/2011	Zenzen et al.	188/72.4

(30) **Foreign Application Priority Data**
Apr. 26, 2011 (EM) 1272298
(51) **LOC (9) Cl.** **12-16**
(52) **U.S. Cl.**
USPC **D12/180**
(58) **Field of Classification Search**
USPC D12/180; 188/71.1, 72.3, 72.4, 72.5,
188/73.37, 73.38, 73.39, 73.41, 73.42,
188/73.43, 73.44, 73.45, 73.46
See application file for complete search history.

* cited by examiner

Primary Examiner — Phillip S Hyder
(74) *Attorney, Agent, or Firm* — Gerald E. Hespos; Michael J. Porco; Matthew T. Hespos

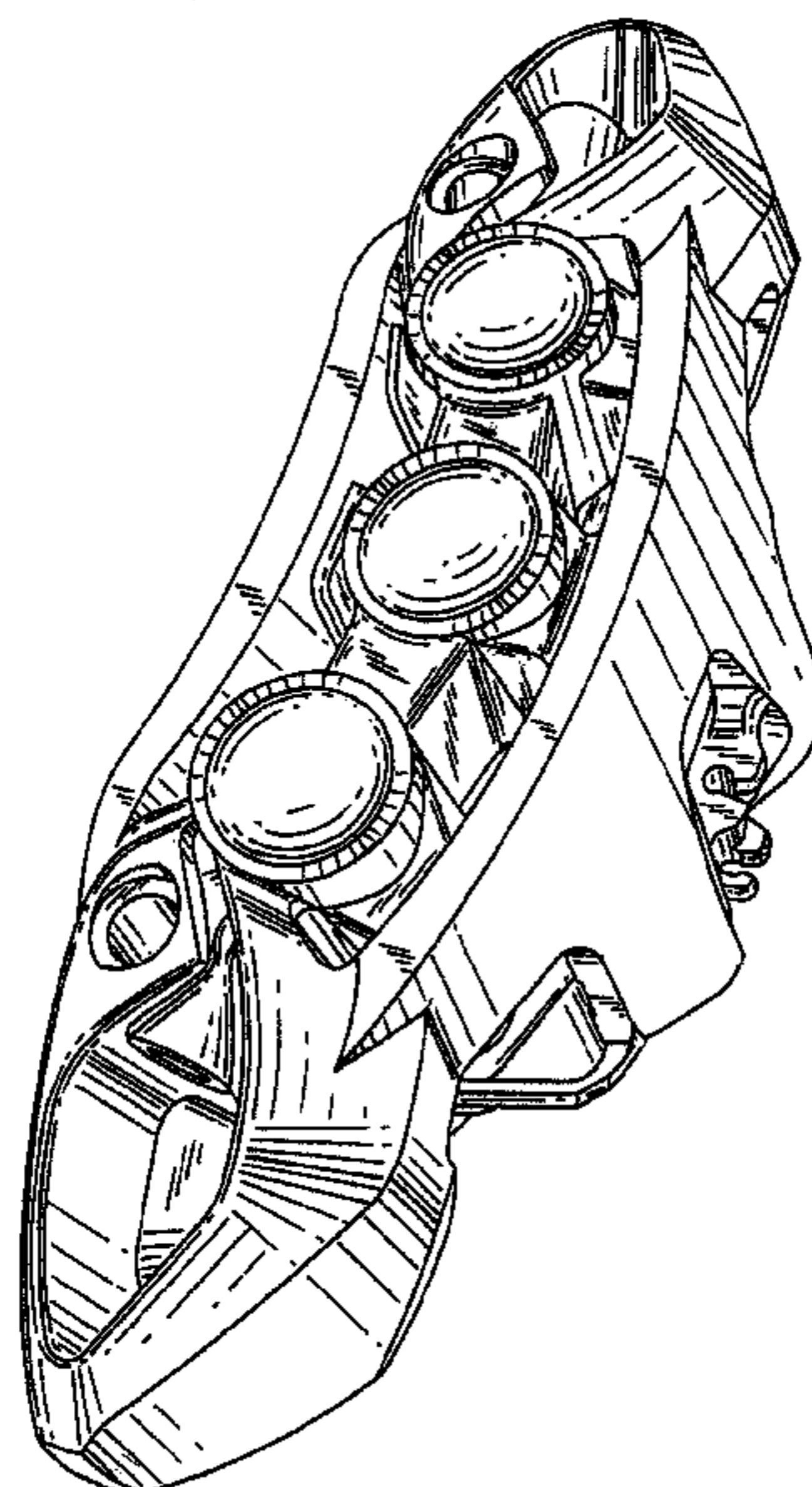
(56) **References Cited**
U.S. PATENT DOCUMENTS
D442,900 S * 5/2001 Separautzki D12/180
6,478,121 B2 * 11/2002 Reeves 188/73.31
6,722,476 B1 * 4/2004 Cornolti 188/71.6
D493,754 S * 8/2004 Barbosa et al. D12/180
D508,001 S * 8/2005 Matsumoto D12/180
D512,352 S * 12/2005 Veneziano et al. D12/180
D555,555 S * 11/2007 Ikuzawa et al. D12/180
D588,513 S * 3/2009 Crippa et al. D12/180
D603,767 S * 11/2009 Crippa et al. D12/180
D607,793 S * 1/2010 Maroni et al. D12/180

(57) **CLAIM**
The ornamental design of a vehicle brake, as shown and described.

DESCRIPTION

FIG. 1 is a perspective view of a vehicle brake in accordance with our design as viewed from the rear left;
FIG. 2 is a perspective view of the vehicle brake of FIG. 1 as viewed from the rear right;
FIG. 3 is a left side elevational view of the vehicle brake shown in FIGS. 1 and 2;
FIG. 4 is a right side elevational view thereof;
FIG. 5 is a rear elevational view thereof;
FIG. 6 is a front elevation view thereof;
FIG. 7 is a top plan view thereof; and,
FIG. 8 is a bottom plan view thereof.

1 Claim, 8 Drawing Sheets



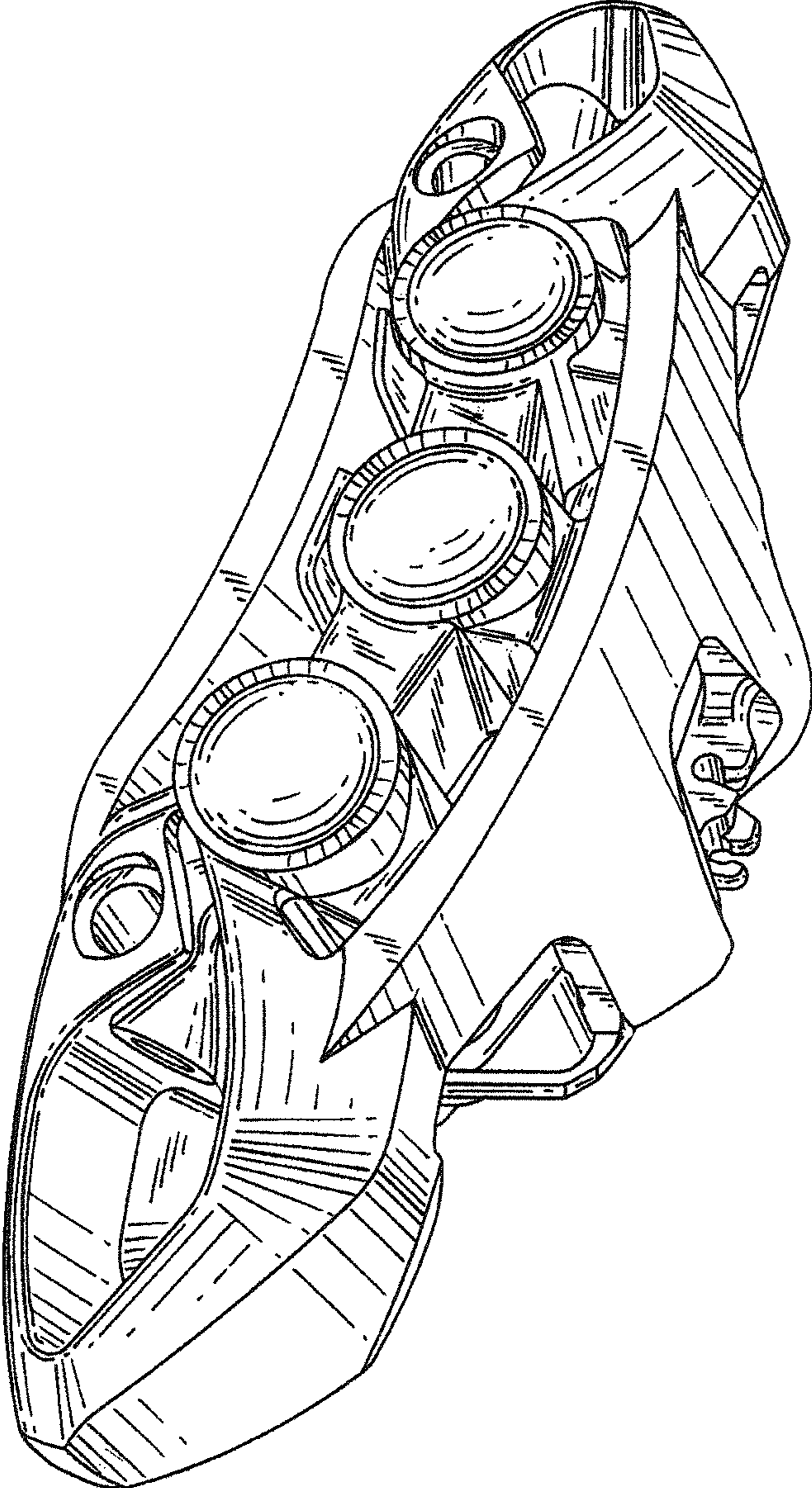


FIG. 1

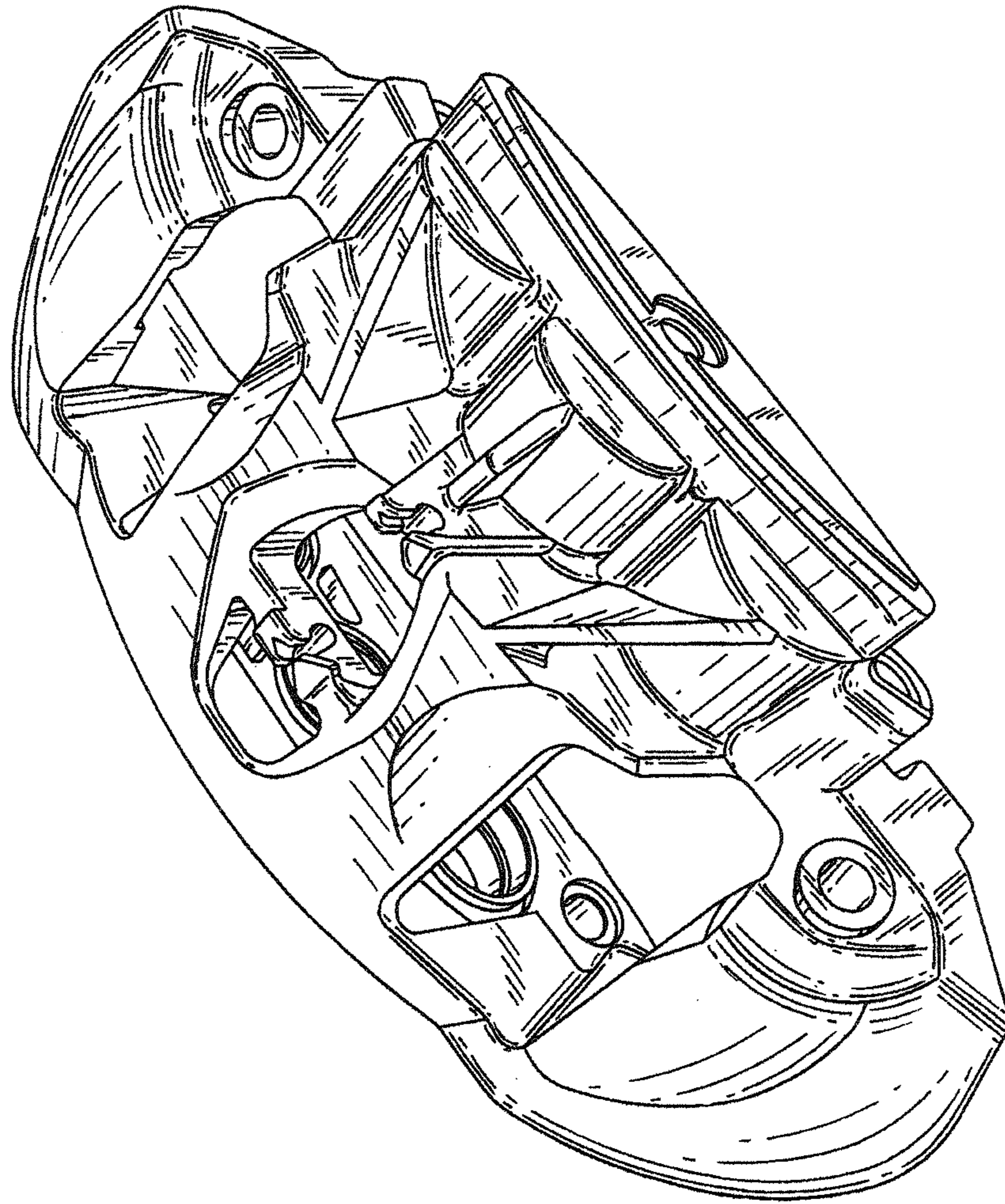


FIG.2

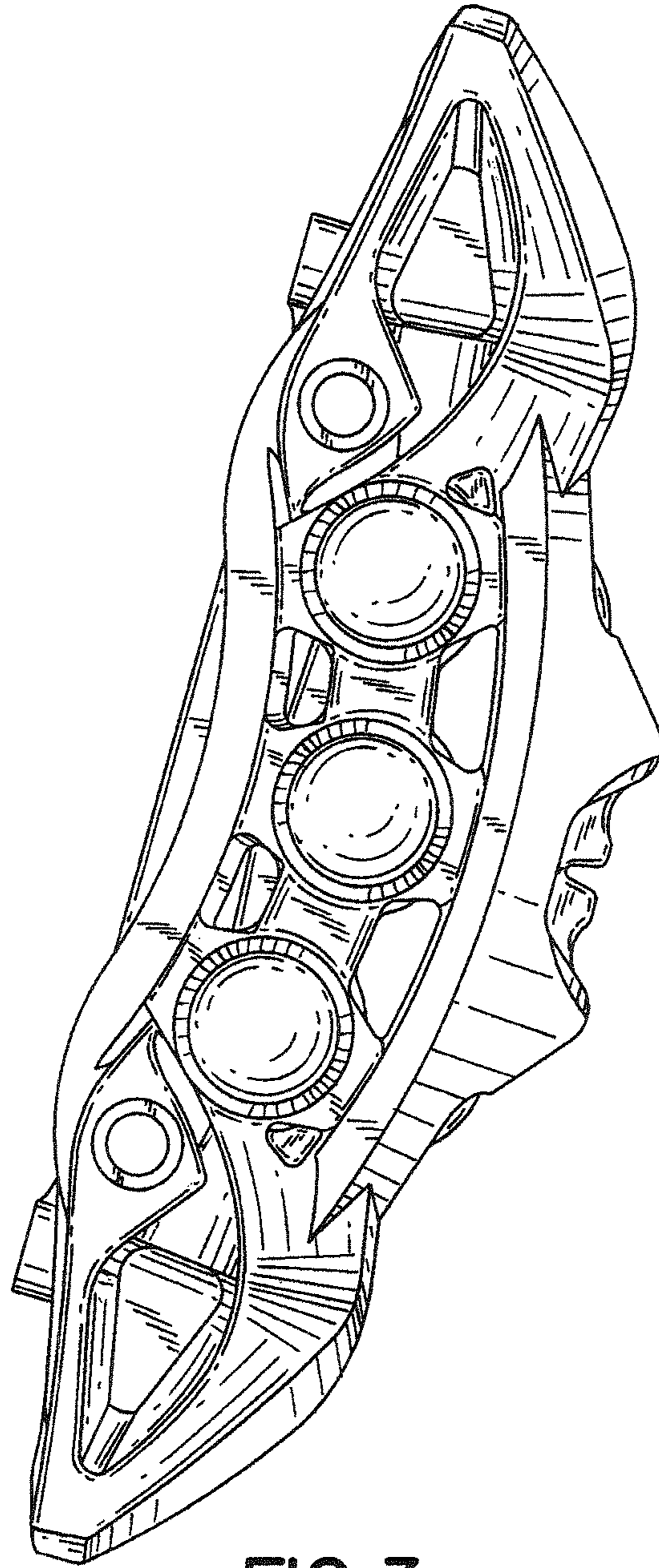


FIG.3

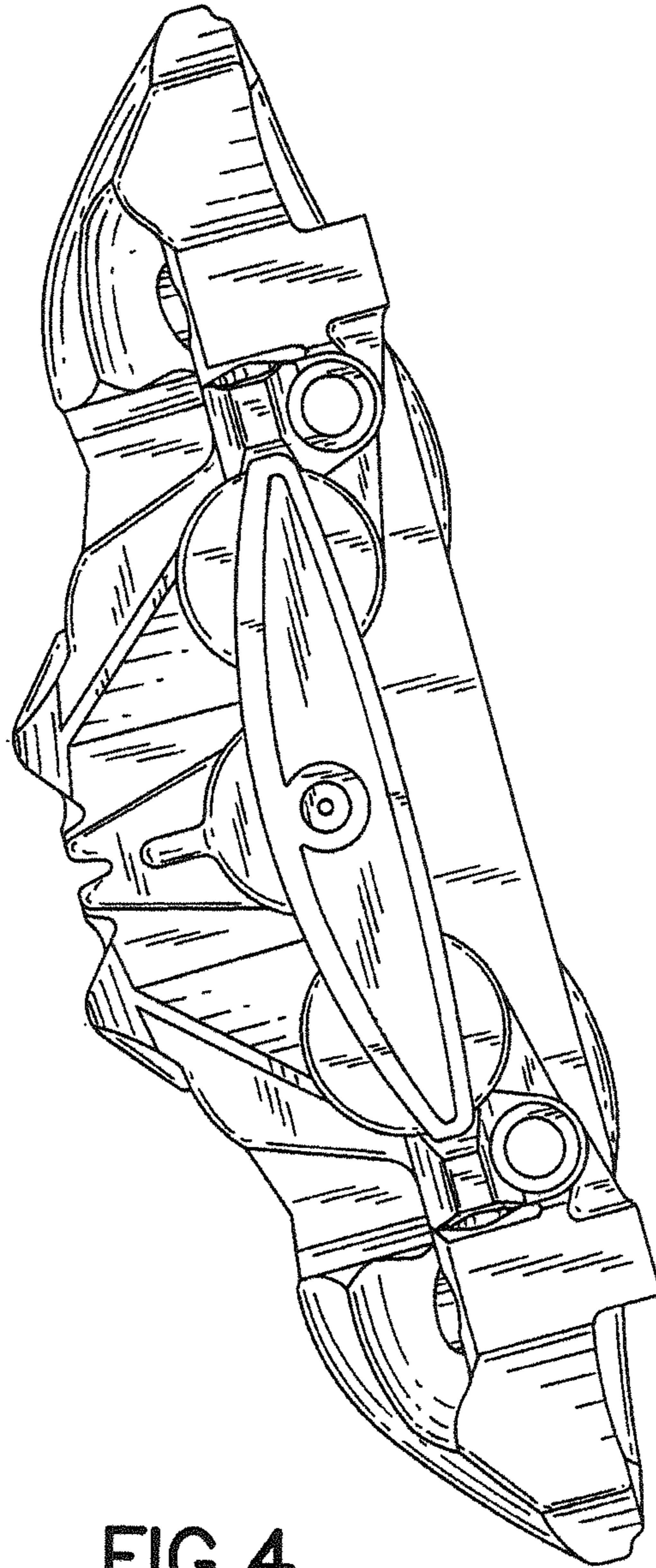


FIG. 4

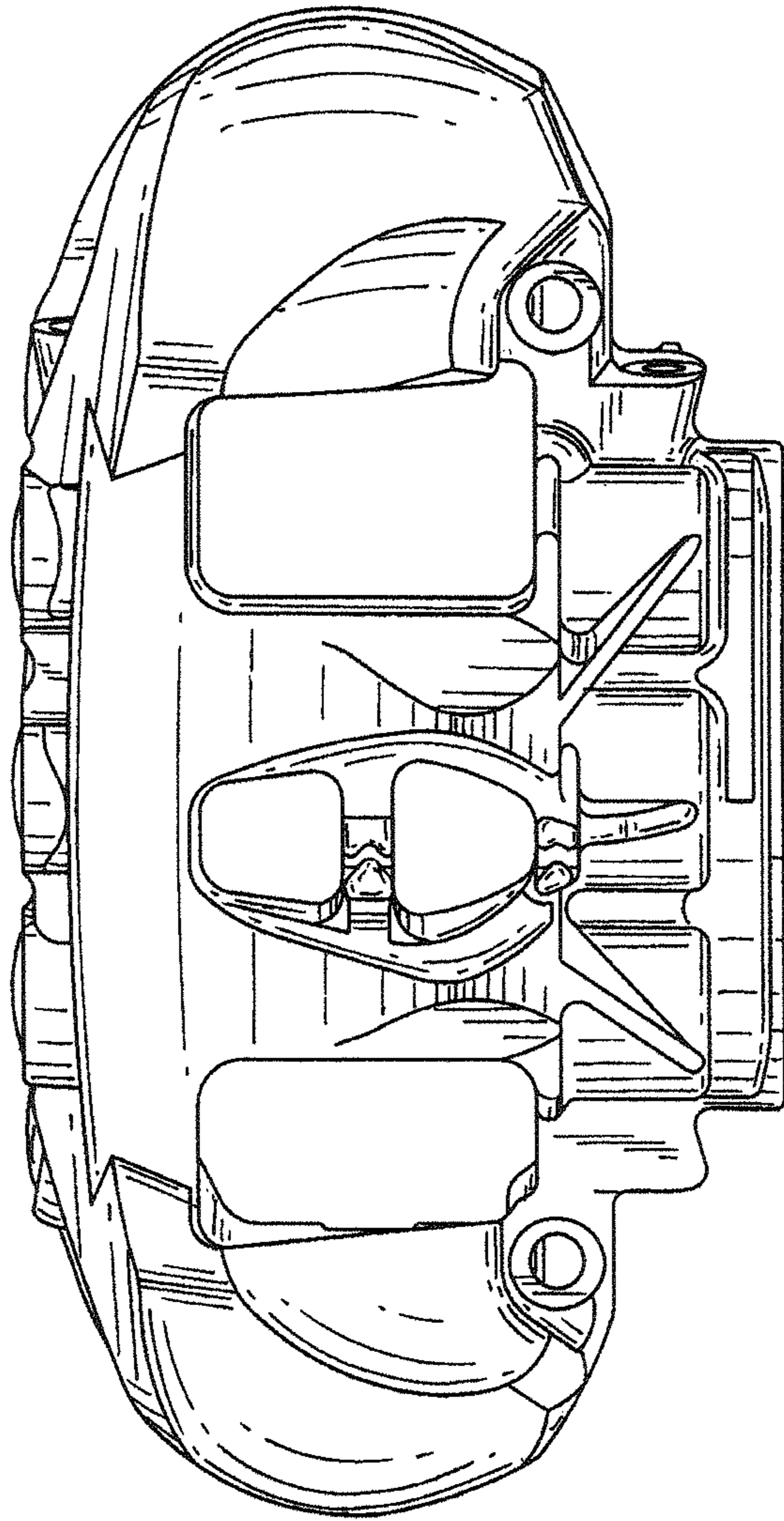


FIG.5

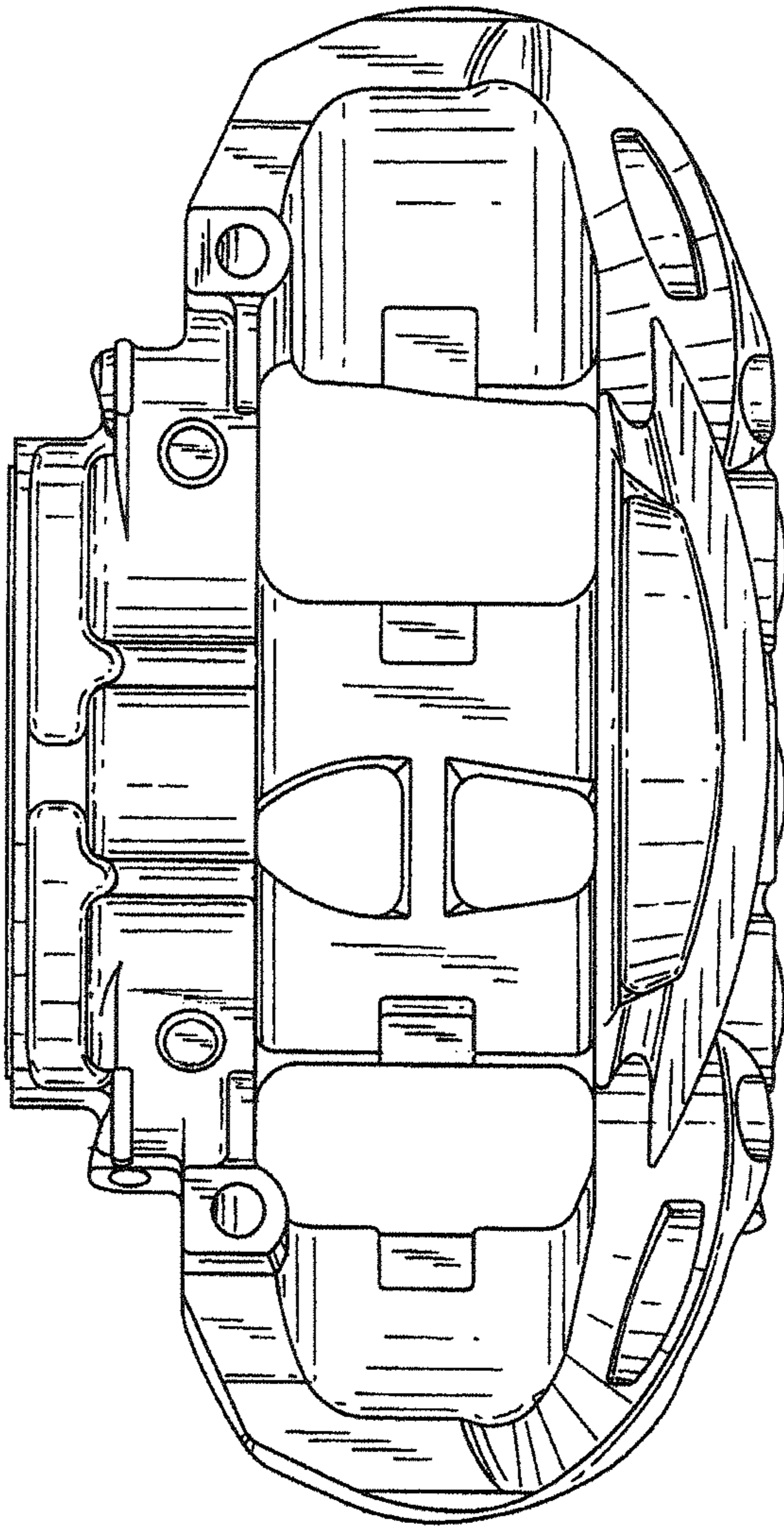


FIG.6

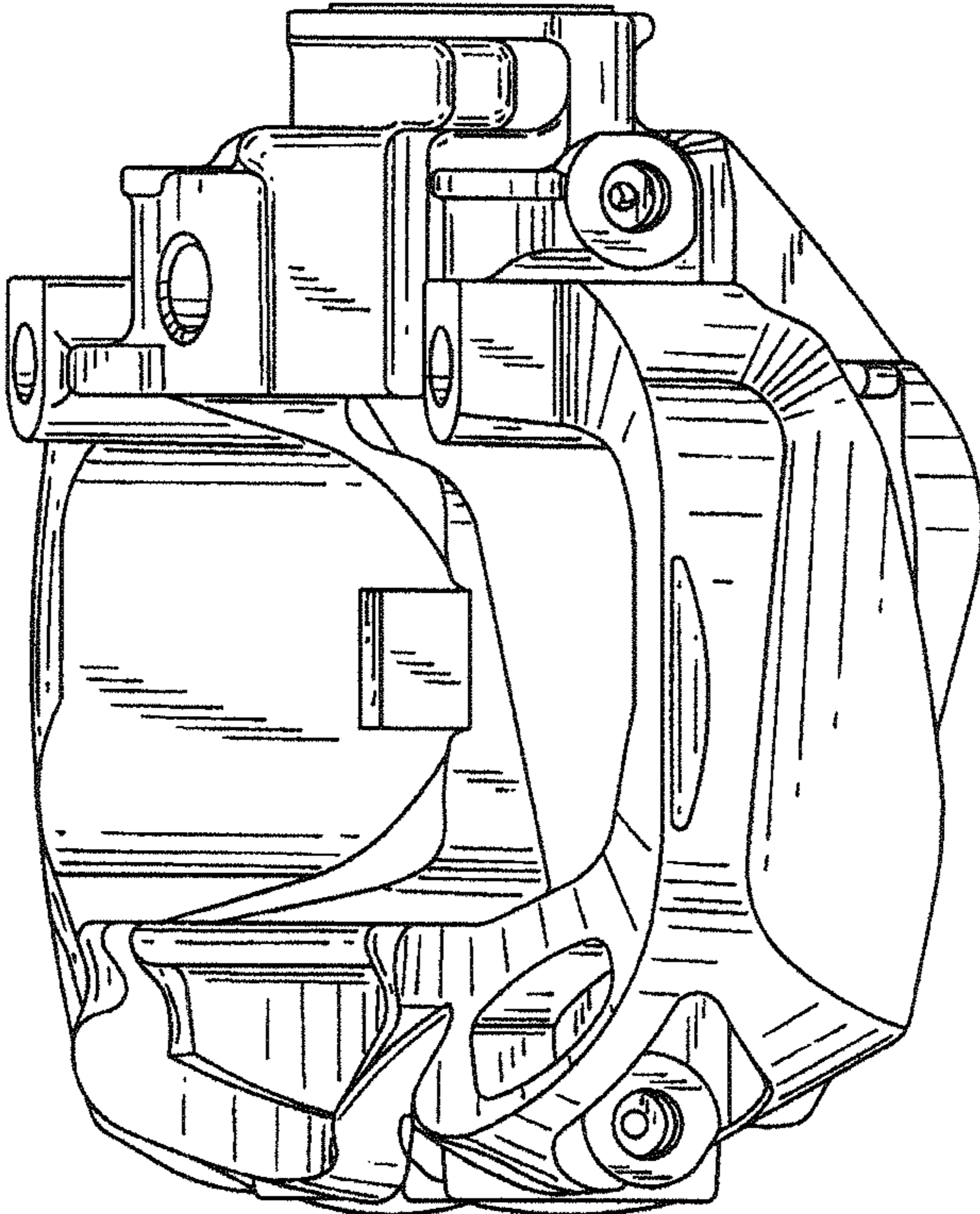


FIG. 7

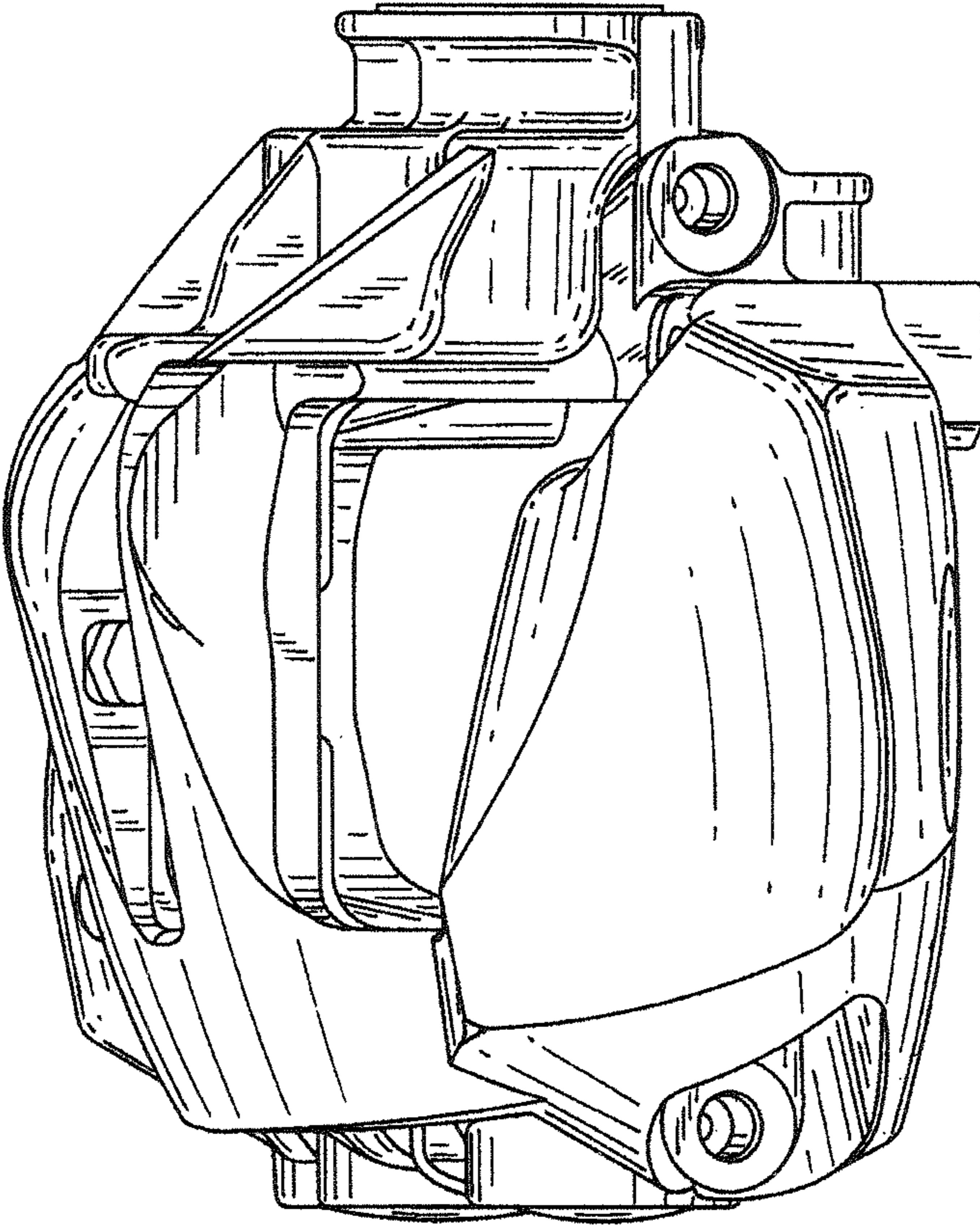


FIG. 8