



US00D692355S

(12) **United States Design Patent**
Tsuji et al.

(10) **Patent No.:** **US D692,355 S**

(45) **Date of Patent:** **** Oct. 29, 2013**

(54) **MOTORCYCLE OR MOTORCYCLE REPLICA**

(75) Inventors: **Ayumu Tsuji**, Wako (JP); **Toshiaki Kishi**, Wako (JP); **Akira Omae**, Wako (JP)

(73) Assignee: **Honda Motor Co., Ltd.**, Tokyo (JP)

(**) Term: **14 Years**

(21) Appl. No.: **29/422,096**

(22) Filed: **May 16, 2012**

(51) **LOC (9) Cl.** **12-11**

(52) **U.S. Cl.**
USPC **D12/110**

(58) **Field of Classification Search**
USPC D12/110; 180/219, 220, 225, 229
See application file for complete search history.

(56) **References Cited**

U.S. PATENT DOCUMENTS

D426,174 S *	6/2000	Sofue et al.	D12/110
D470,800 S *	2/2003	Muta et al.	D12/110
D624,853 S *	10/2010	Song et al.	D12/110
D656,069 S *	3/2012	Itaya et al.	D12/110
D656,867 S *	4/2012	Uemoto et al.	D12/110

* cited by examiner

Primary Examiner — Susan M Lee

Assistant Examiner — Linda Brooks

(74) *Attorney, Agent, or Firm* — Birch, Stewart, Kolasch & Birch, LLP

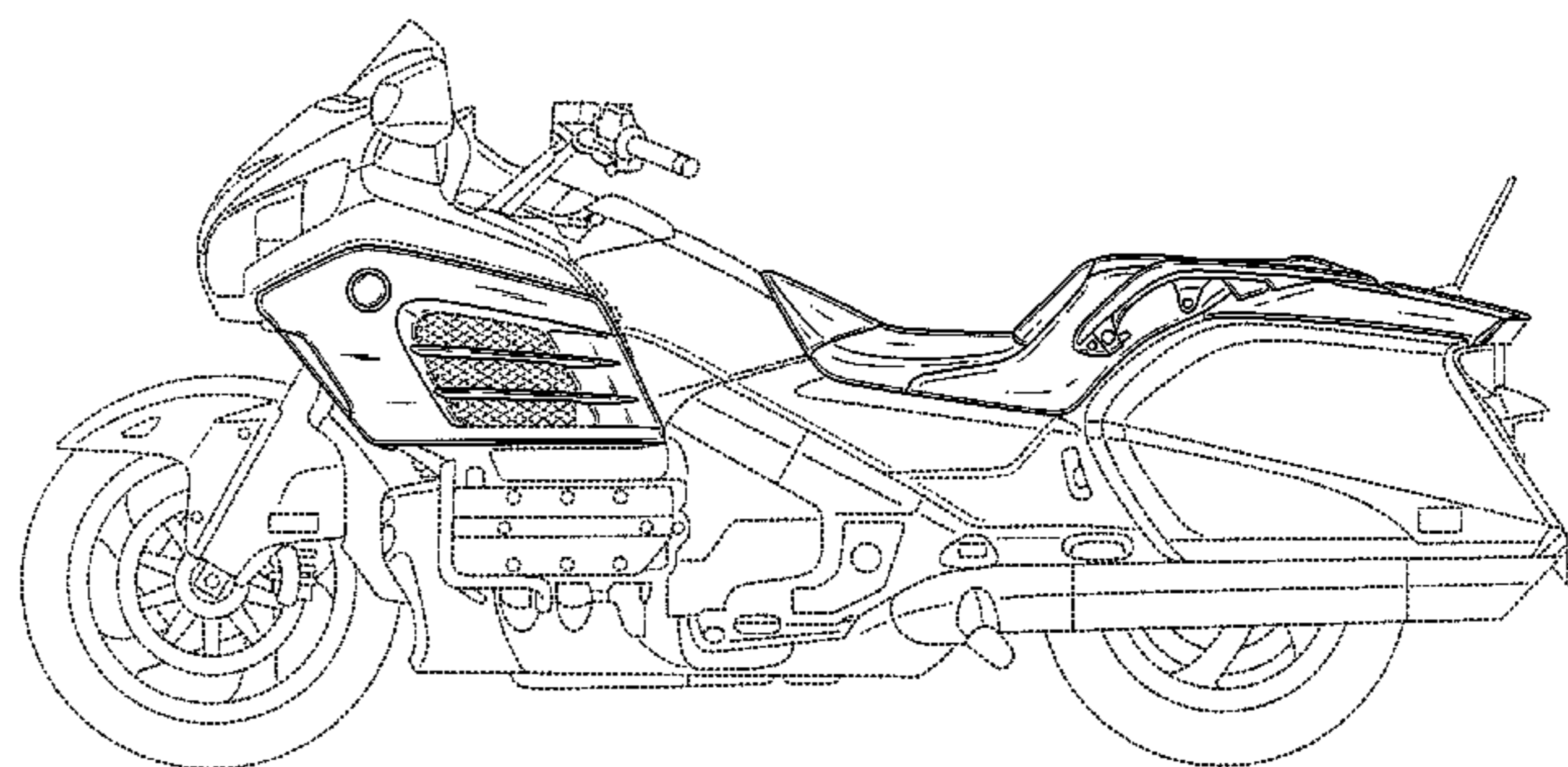
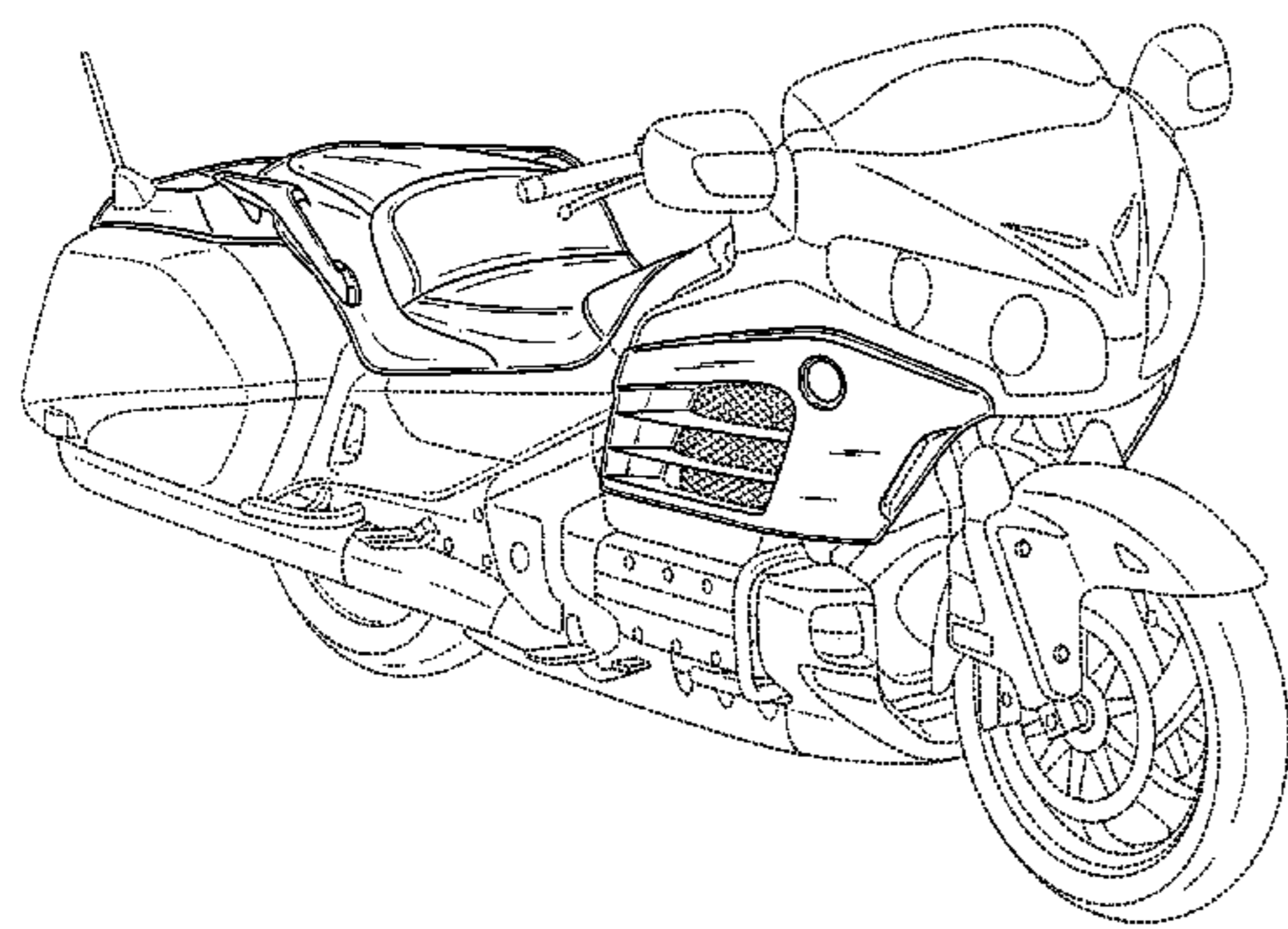
(57) **CLAIM**

The ornamental design for a motorcycle or motorcycle replica, as shown and described.

DESCRIPTION

FIG. 1 is a front right side perspective view of motorcycle or motorcycle replica showing our new design;
FIG. 2 is a rear left side perspective view thereof;
FIG. 3 is a front left side perspective view thereof;
FIG. 4 is a rear right side perspective view thereof;
FIG. 5 is a front elevation view thereof;
FIG. 6 is a rear elevation view thereof;
FIG. 7 is a top plan view thereof;
FIG. 8 is a right side elevational view thereof; and,
FIG. 9 is a left side elevational view thereof.
The broken lines showing the motorcycle show the environment only and form no part of the claimed design.

1 Claim, 8 Drawing Sheets



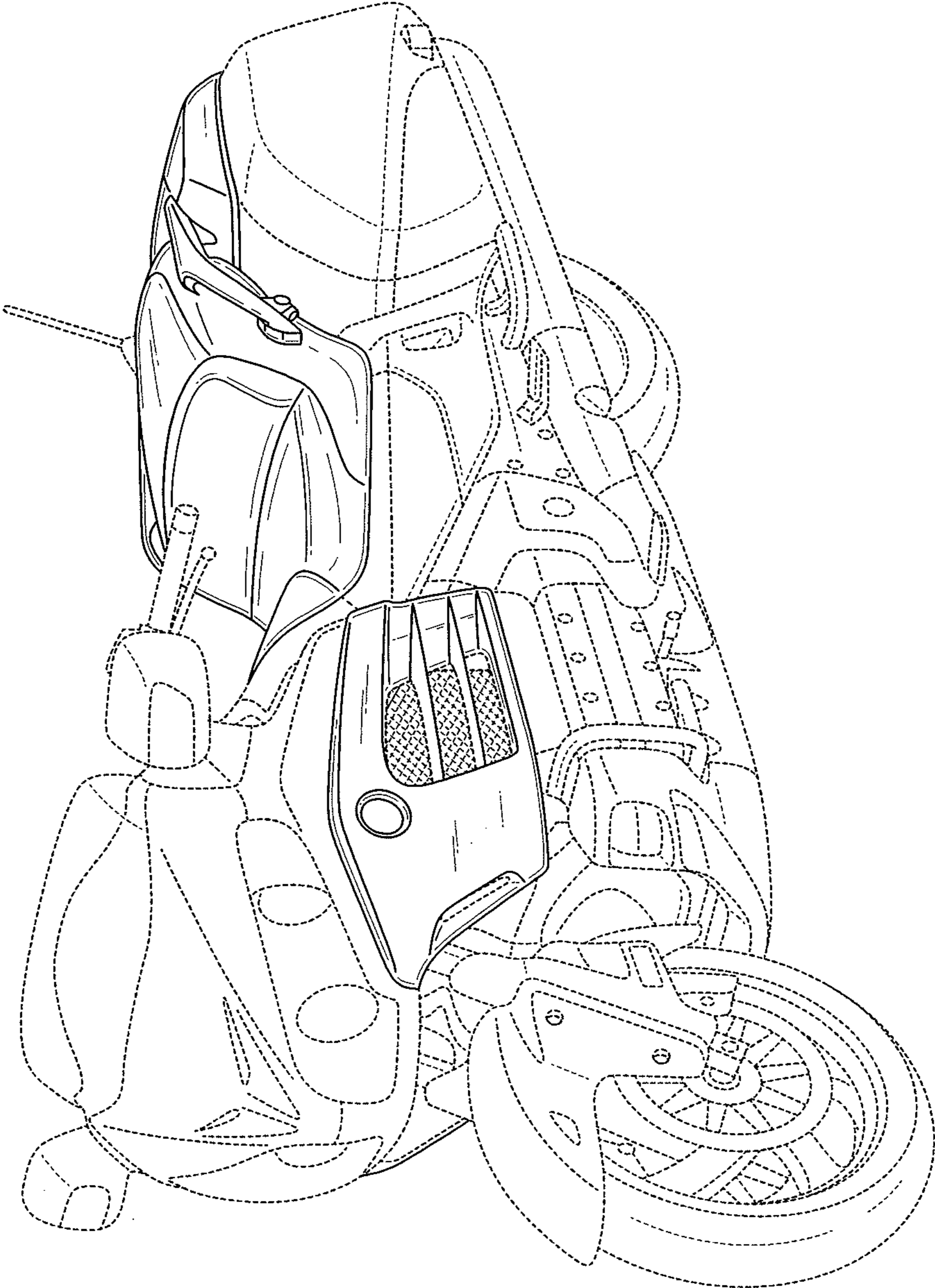


Fig. 1

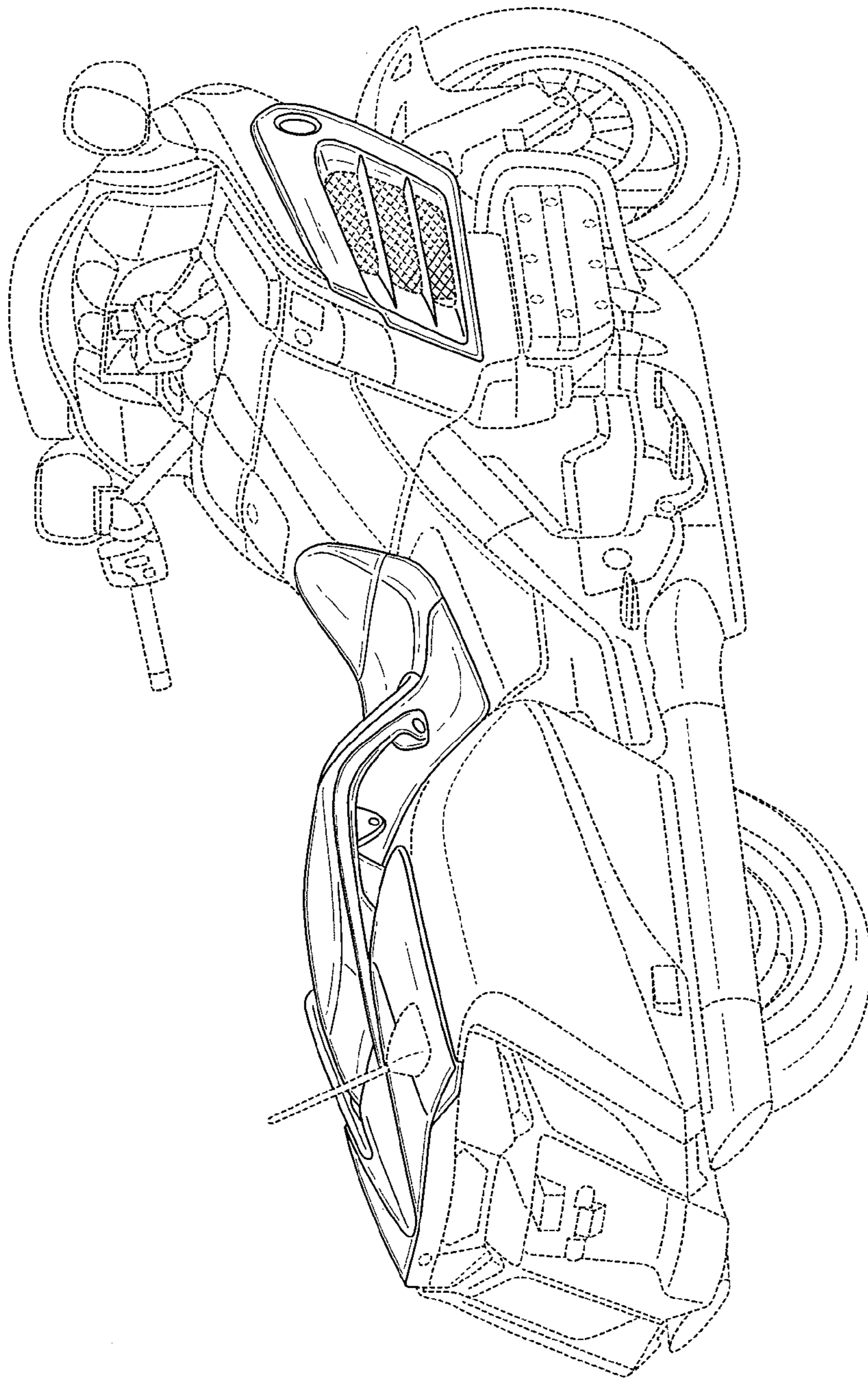


Fig. 2

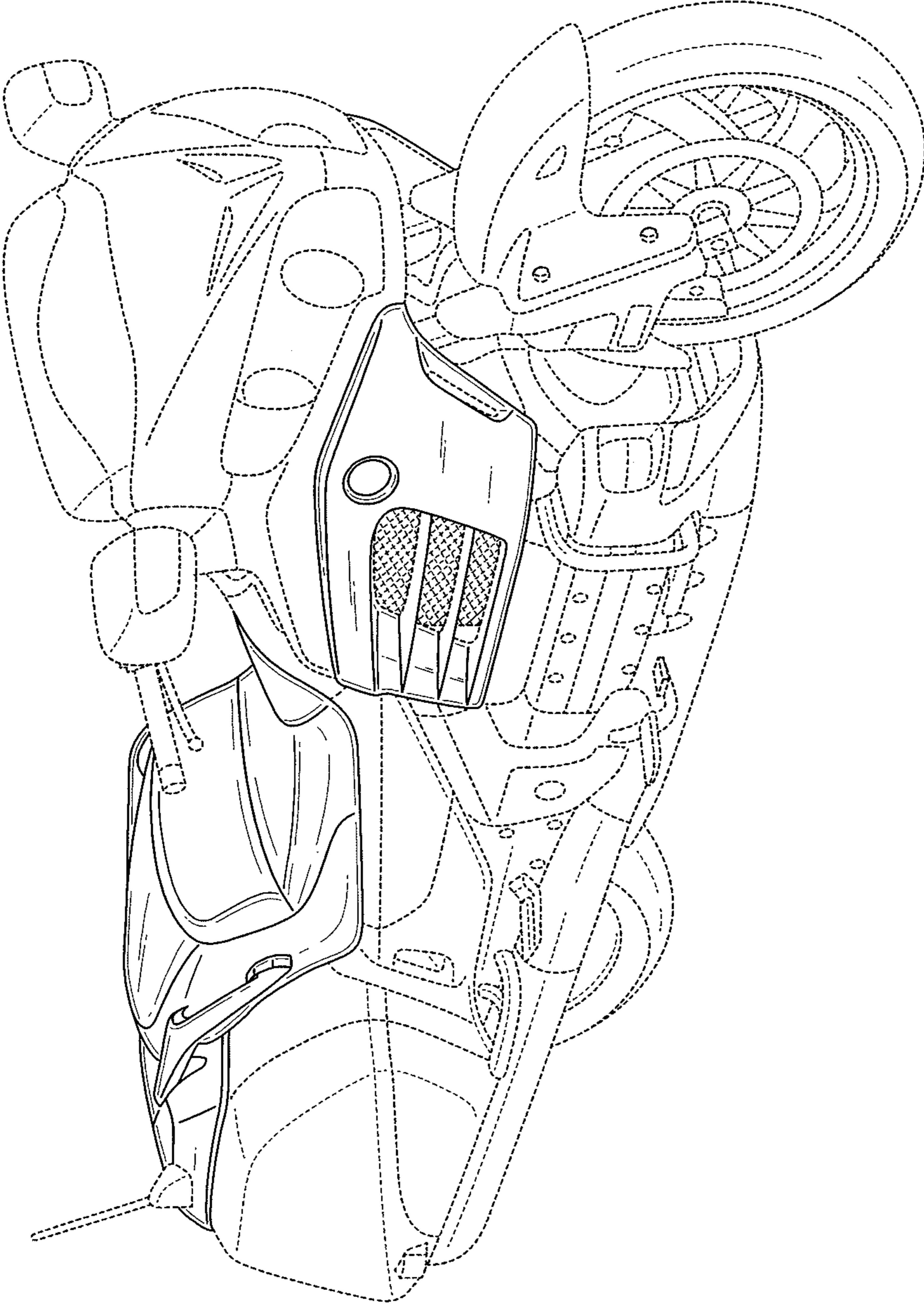


Fig. 3

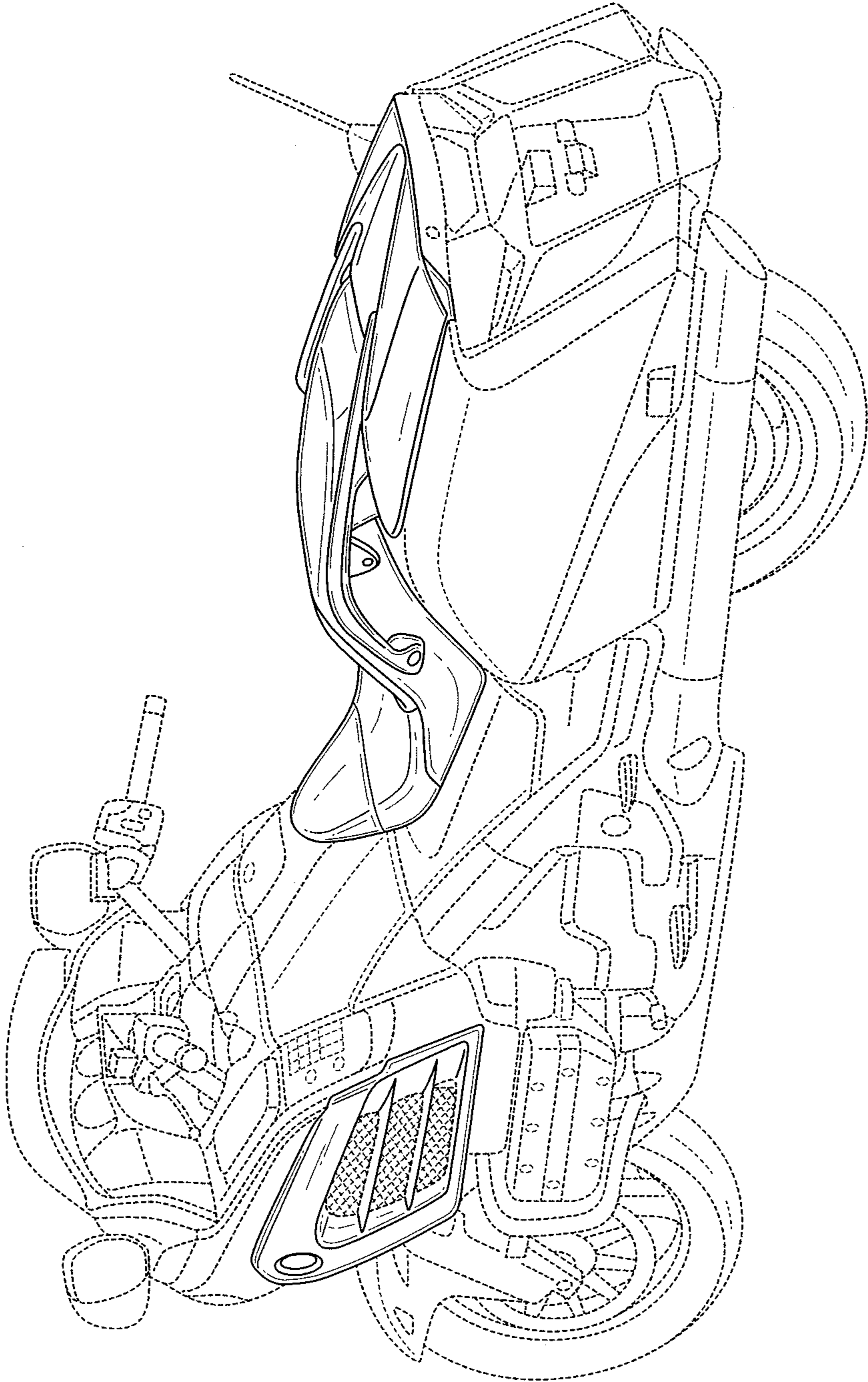


Fig. 4

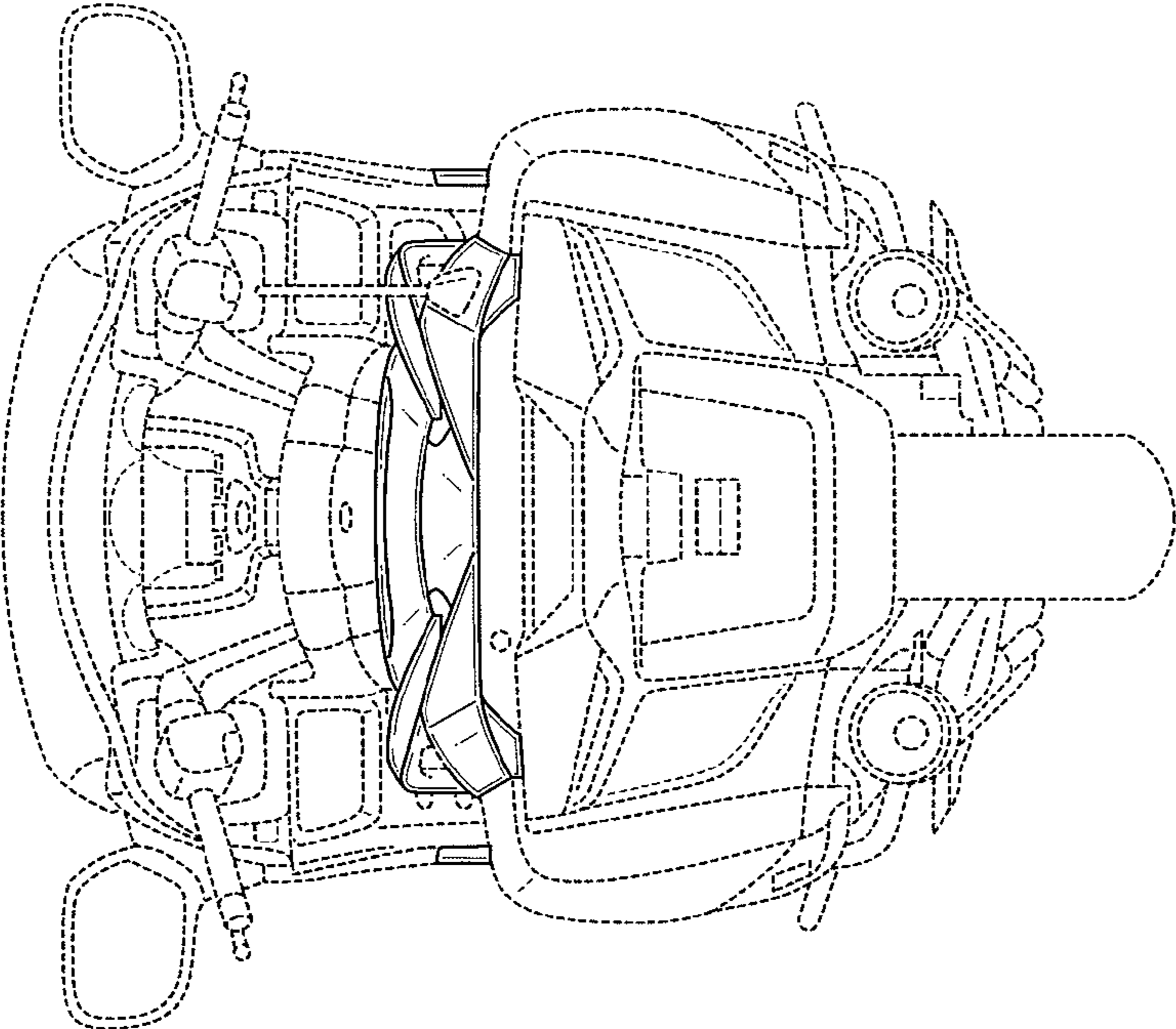


Fig. 6

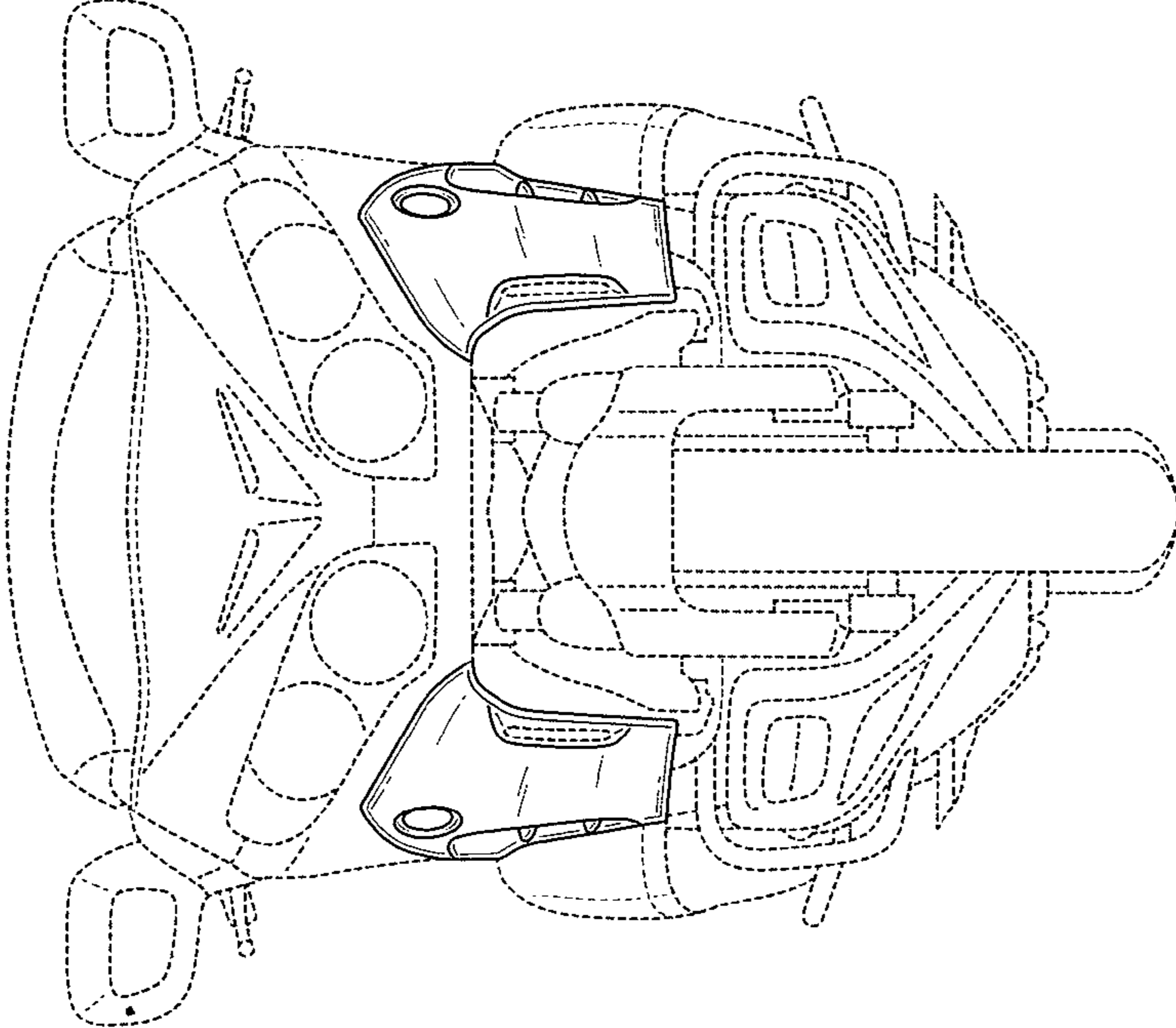


Fig. 5

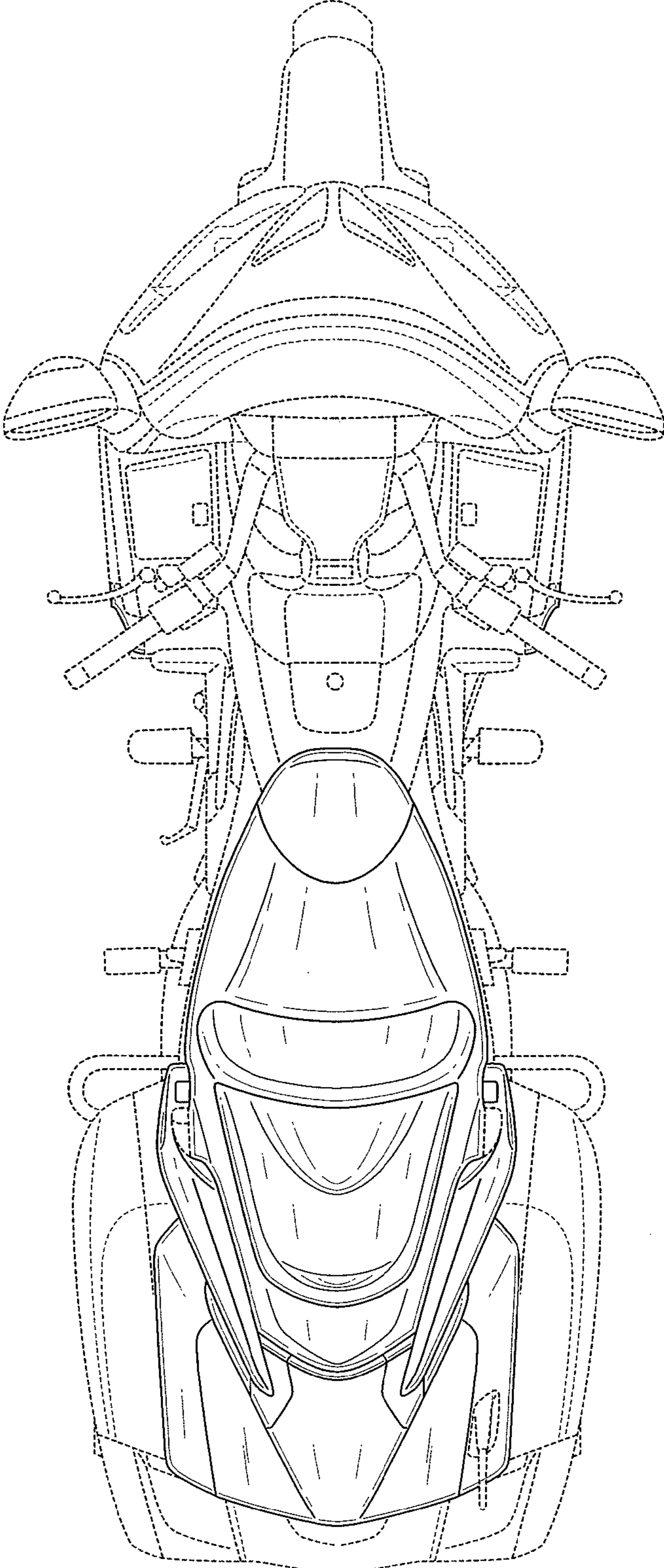


Fig. 7

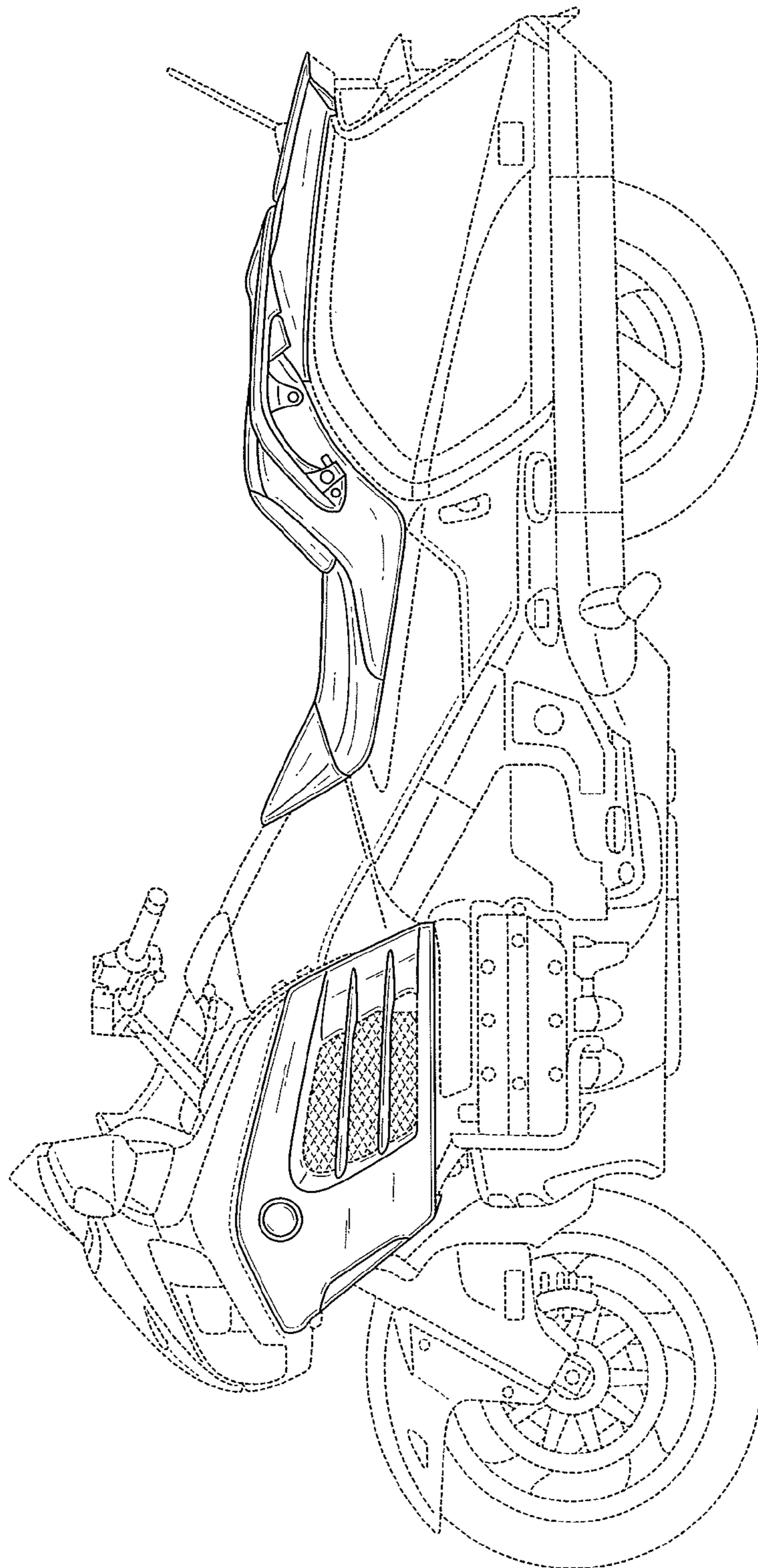


Fig. 8

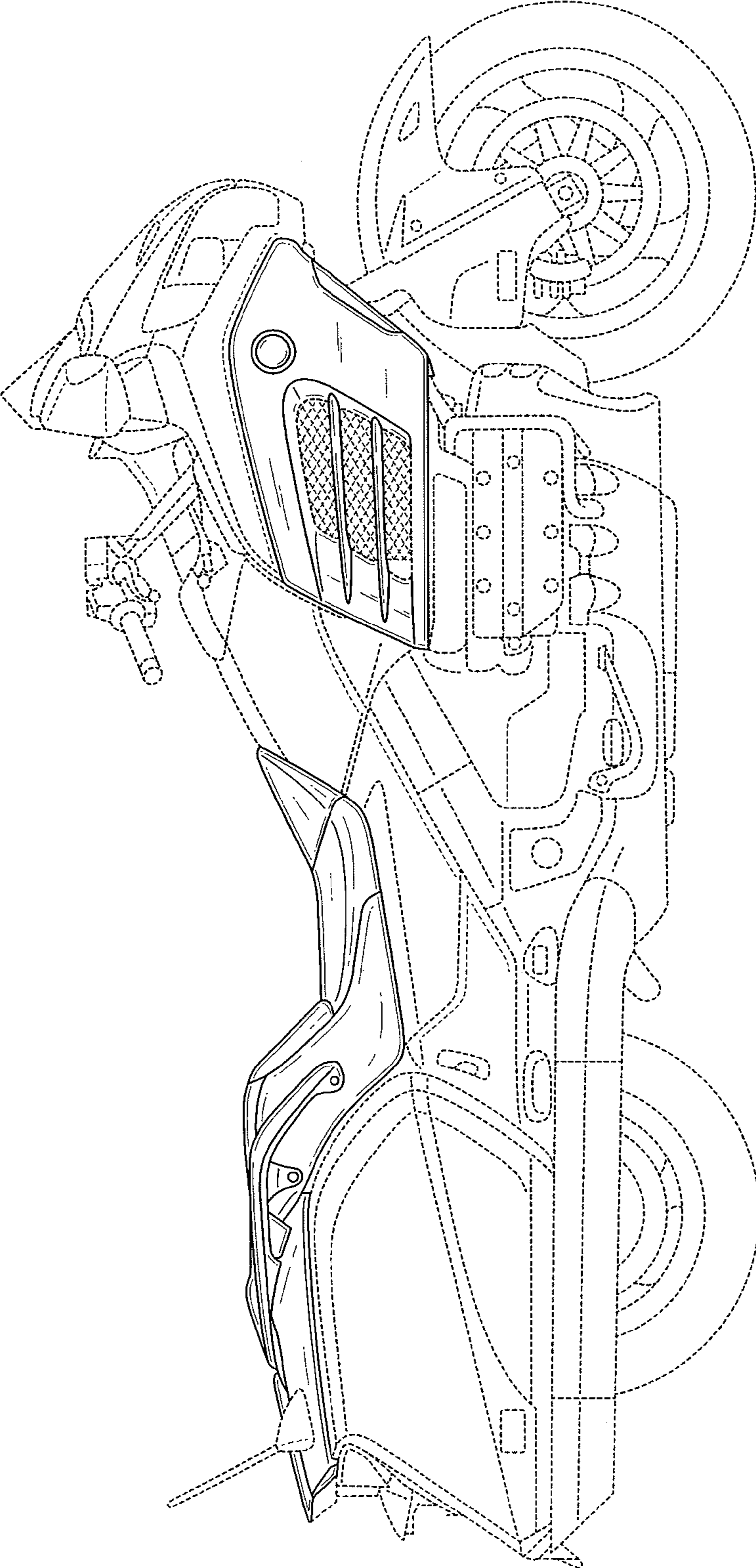


Fig. 9