



US00D692353S

(12) **United States Design Patent**
Kiez et al.

(10) **Patent No.:** **US D692,353 S**
(45) **Date of Patent:** **** Oct. 29, 2013**

(54) **CAMPER TRAILER**

(71) Applicants: **Kel Kiez**, Winnipeg (CA); **Michael D. Knight**, Winnipeg (CA)

(72) Inventors: **Kel Kiez**, Winnipeg (CA); **Michael D. Knight**, Winnipeg (CA)

(**) Term: **14 Years**

(21) Appl. No.: **29/451,977**

(22) Filed: **Apr. 10, 2013**

(51) **LOC (9) Cl.** **12-10**

(52) **U.S. Cl.**
USPC **D12/103**

(58) **Field of Classification Search**
USPC D12/101-106, 19, 129, 111, 112;
D21/425, 435; D34/21-26, 12, 16-19;
280/204, 205, 63, 475, 482, 647;
296/168, 180, 180.2, 61, 10,
296/100.01-100.08

See application file for complete search history.

(56) **References Cited**

U.S. PATENT DOCUMENTS

D159,326 S *	7/1950	Eldridge	D12/103
D542,185 S *	5/2007	Remington	D12/103
D546,245 S *	7/2007	Heard	D12/102
D603,299 S *	11/2009	Prusmack	D12/102
7,651,114 B2 *	1/2010	Weber et al.	280/477

D610,489 S *	2/2010	Rodabaugh	D12/102
D617,685 S *	6/2010	Rodabaugh	D12/103
D626,461 S *	11/2010	Barrios et al.	D12/101
2003/0107234 A1 *	6/2003	Votruba et al.	296/100.06
2008/0017540 A1 *	1/2008	Sawhney et al.	206/514
2012/0291691 A1 *	11/2012	Lee	114/349

* cited by examiner

Primary Examiner — Katrina A Betton

(74) *Attorney, Agent, or Firm* — Kyle R. Satterthwaite; Ryan W. Dupuis; Ade & Company, Inc

(57) **CLAIM**

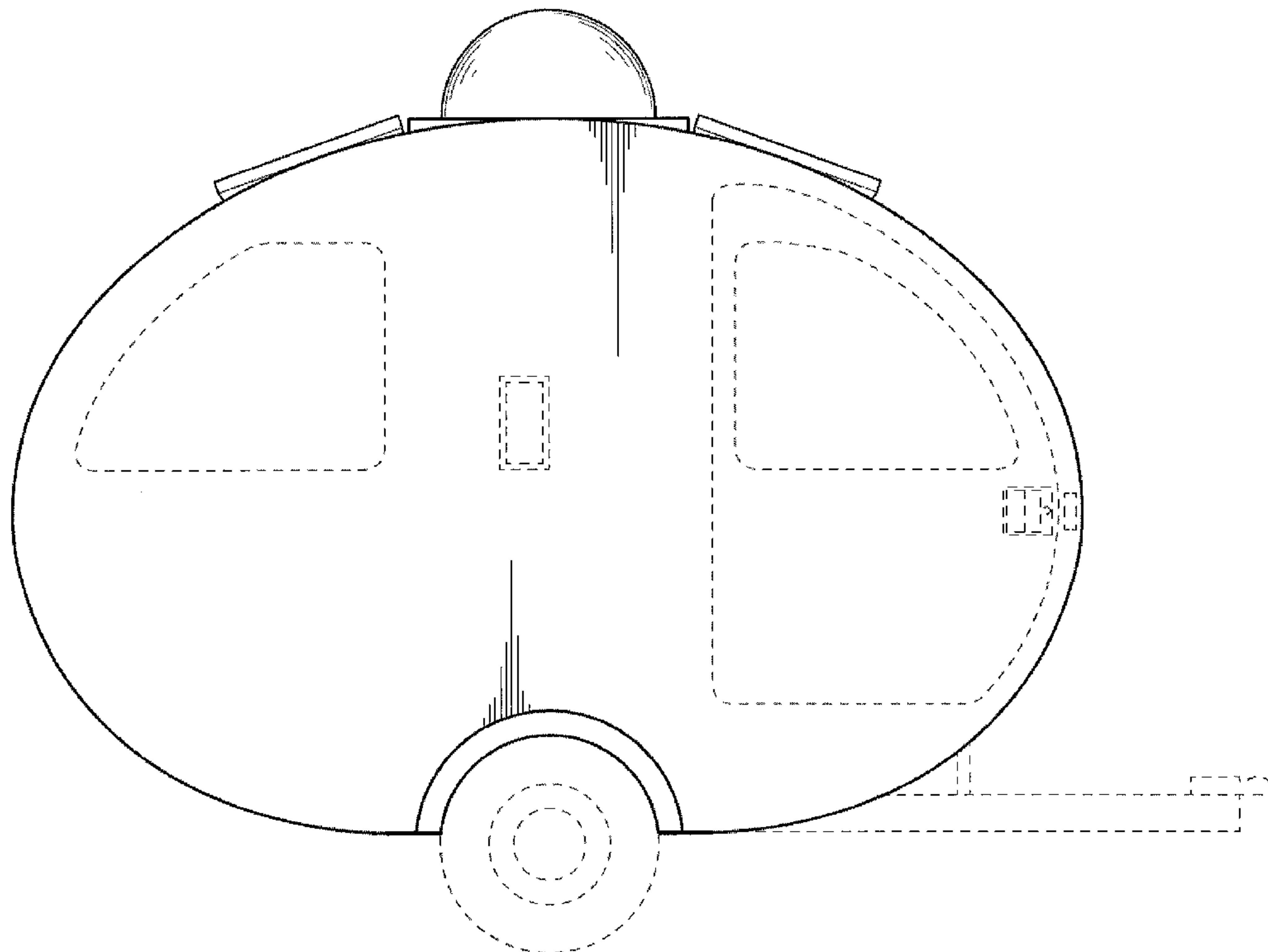
The ornamental design for a camper trailer, as shown and described.

DESCRIPTION

FIG. 1 is a perspective view of a first embodiment of the camper trailer;
FIG. 2 is a left side elevational view of the camper trailer of FIG. 1;
FIG. 3 is a right side elevational view of the camper trailer of FIG. 1;
FIG. 4 is a top plan view of the camper trailer of FIG. 1;
FIG. 5 is a front elevational view of the camper trailer of FIG. 1; and,
FIG. 6 is a rear elevational view of the camper trailer of FIG. 1.

The broken lines illustrate features of the camper trailer that form no part of the claimed design. Oblique line shading illustrates transparency.

1 Claim, 5 Drawing Sheets



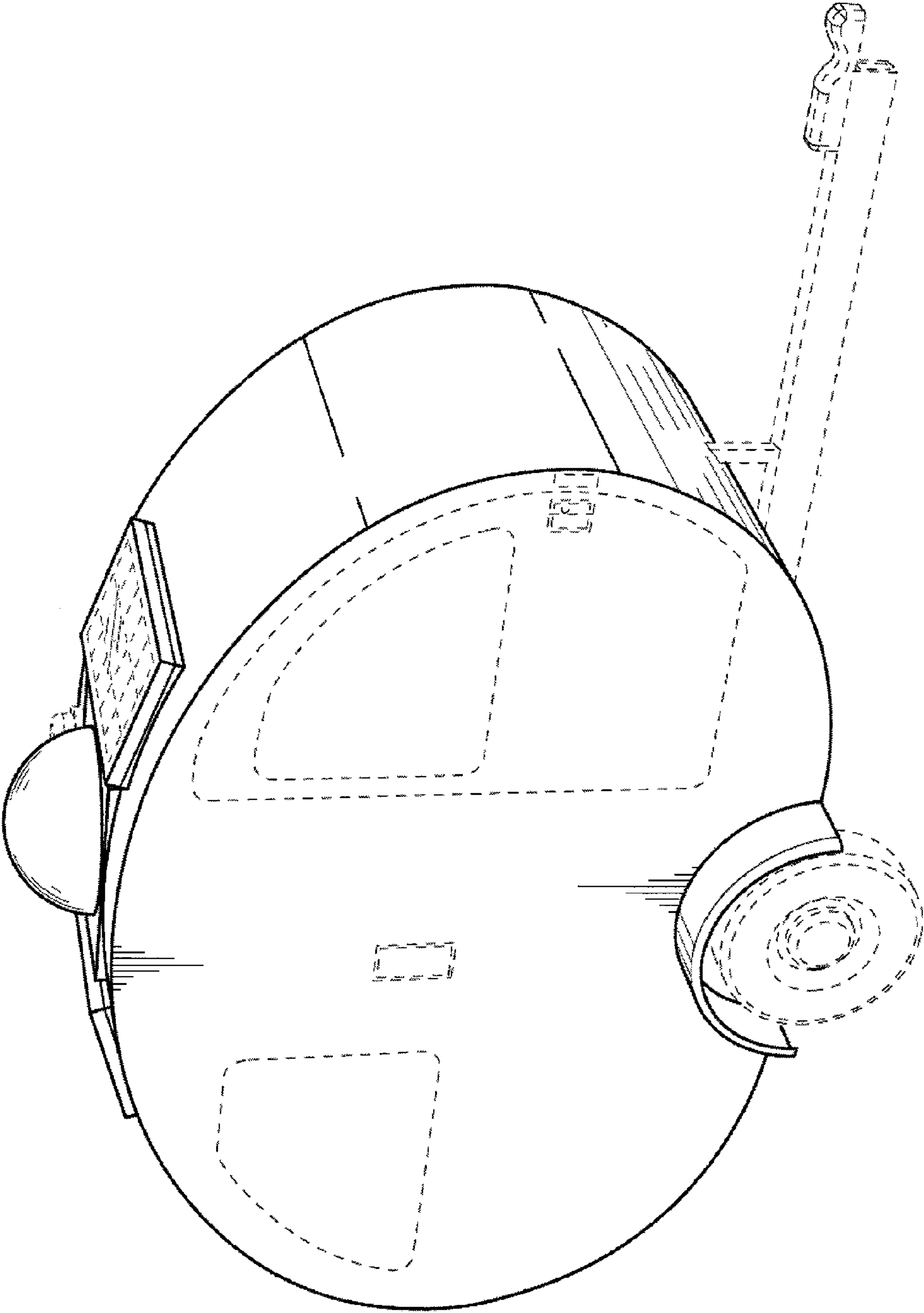


FIG. 1

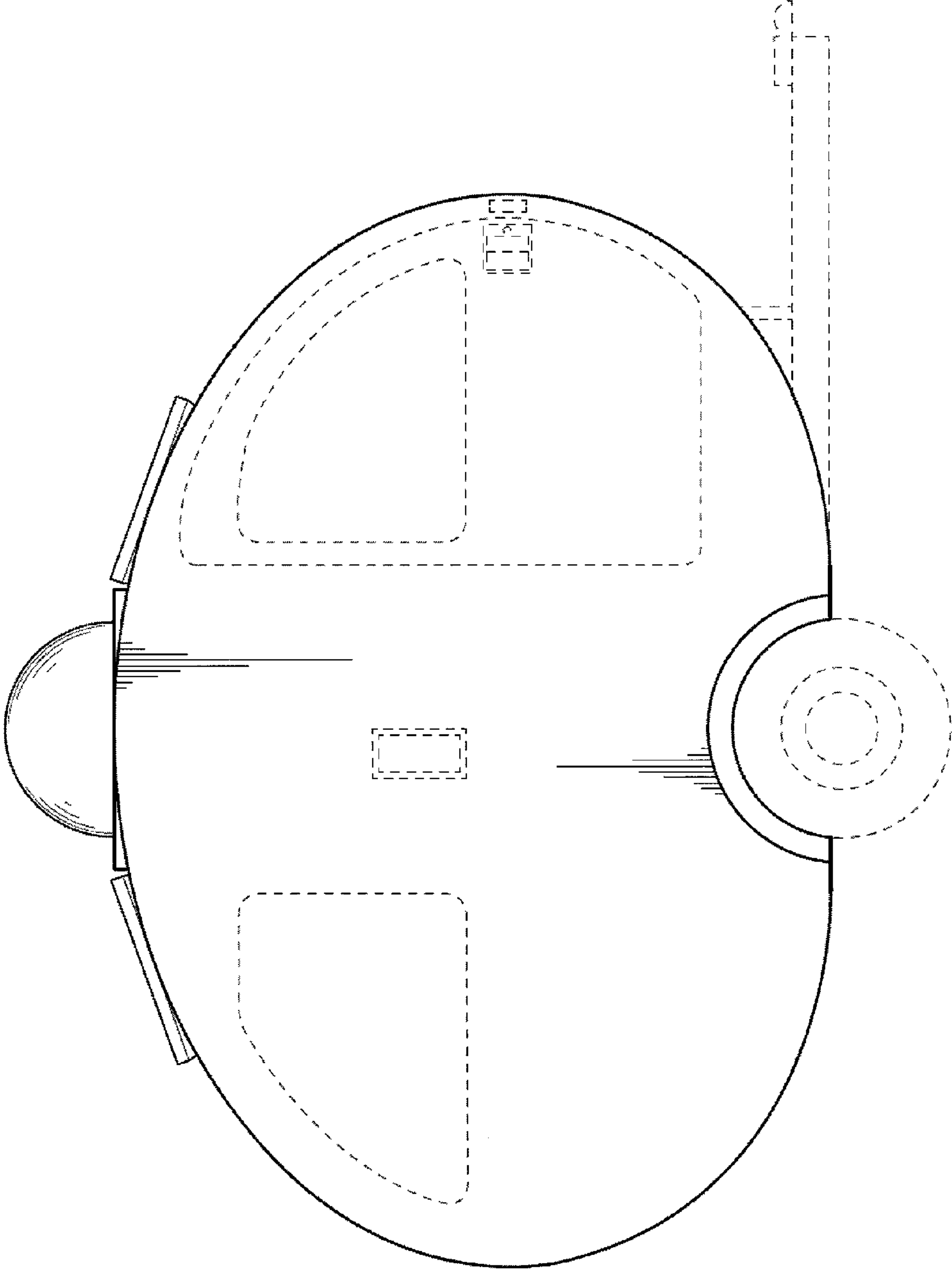


FIG. 2

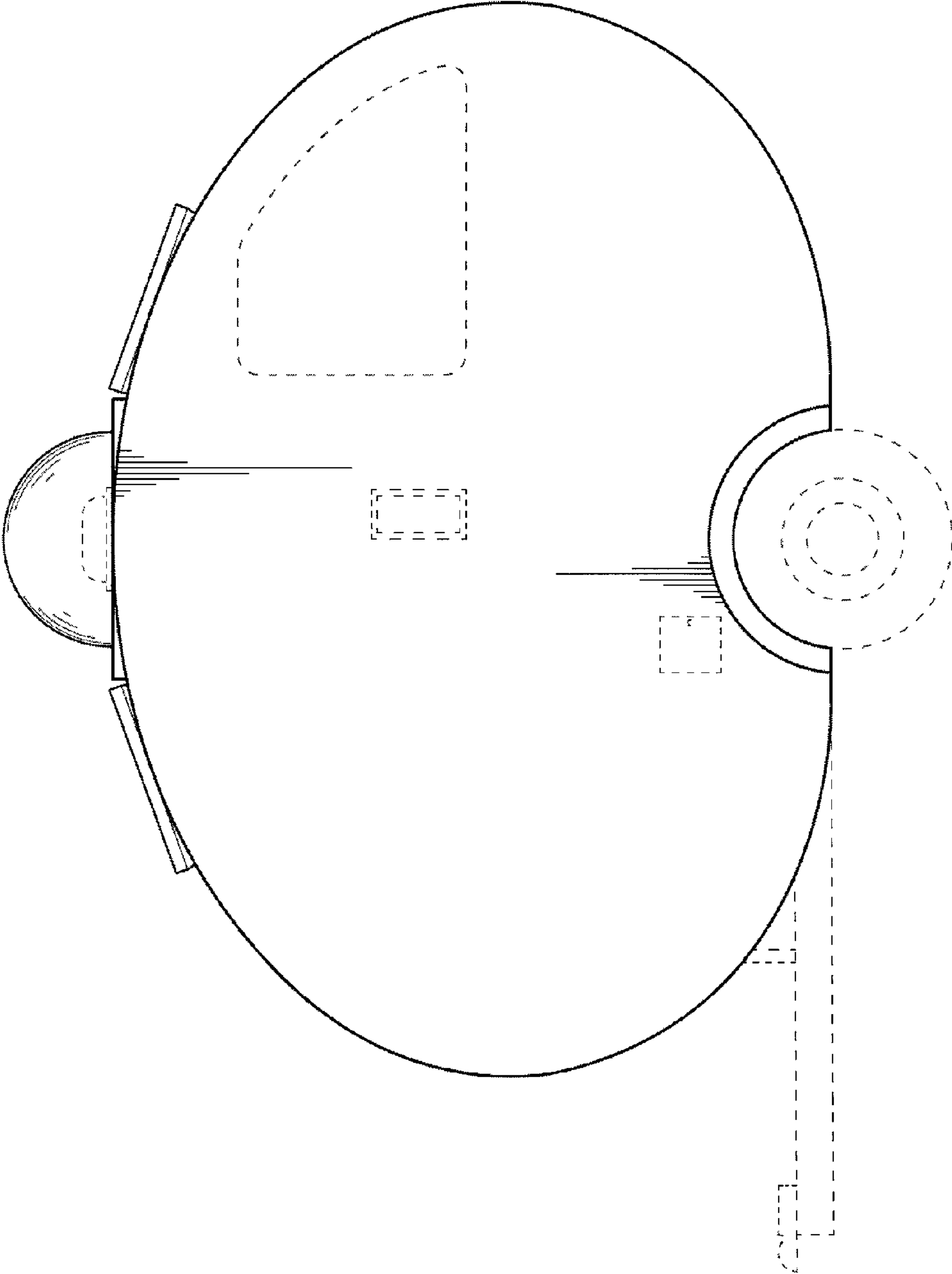


FIG. 3

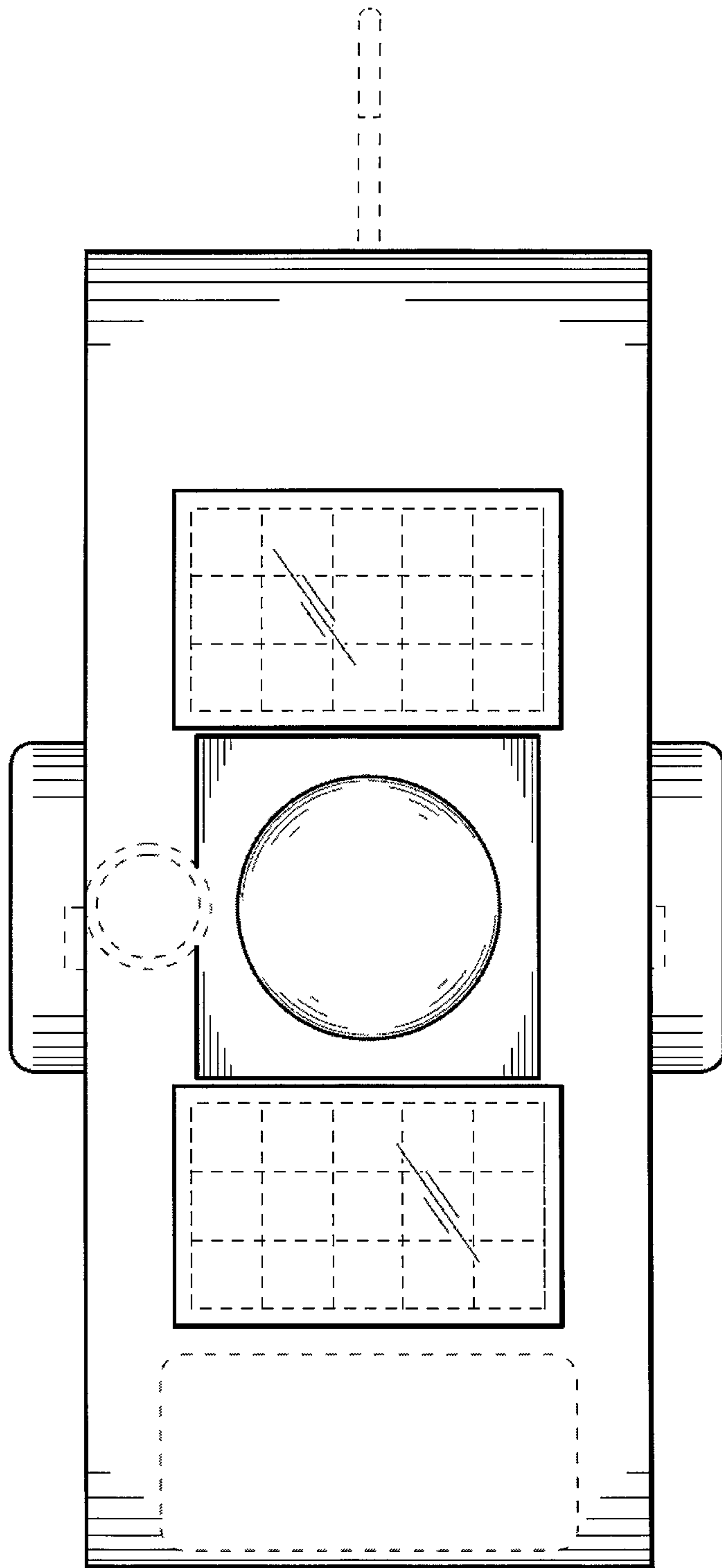


FIG. 4

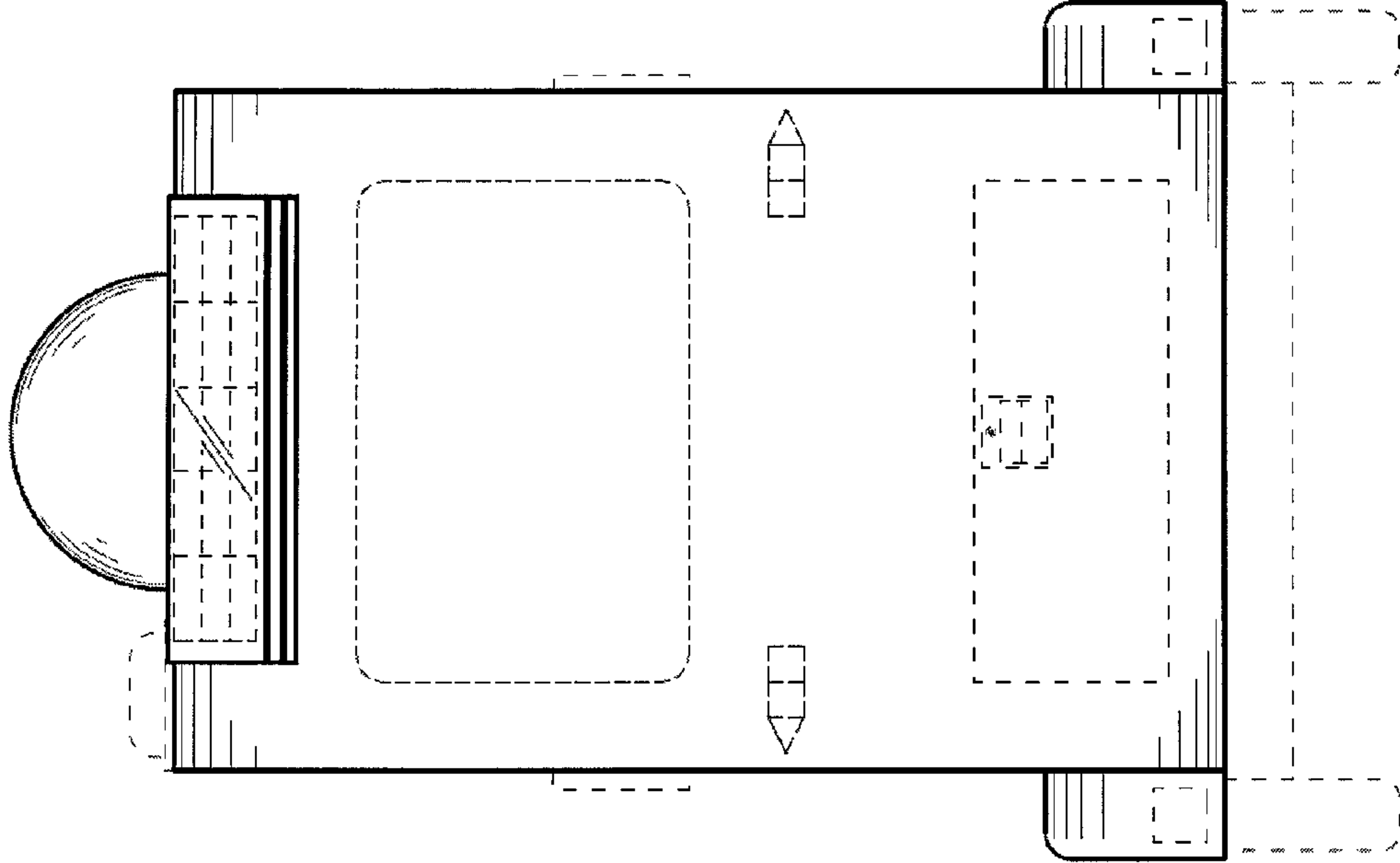


FIG. 6

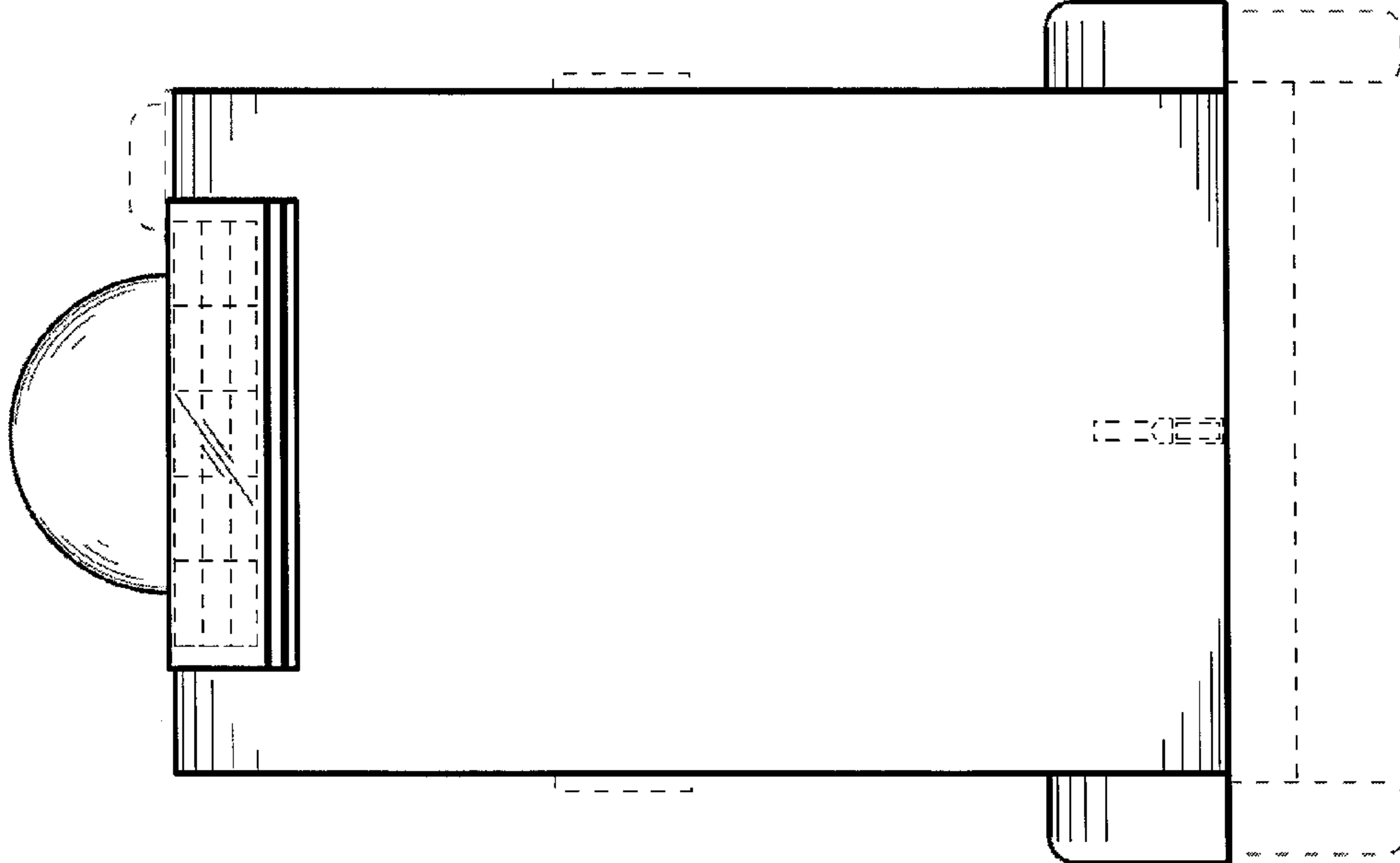


FIG. 5