



US00D692350S

(12) **United States Design Patent**
Toriyama et al.

(10) **Patent No.:** **US D692,350 S**
(45) **Date of Patent:** **** Oct. 29, 2013**

(54) **AUTOMOBILE, TOY REPLICA AND/OR
OTHER REPLICAS**

(75) Inventors: **Daisuke Toriyama, Wako (JP); Ryo
Sugiura, Wako (JP)**

(73) Assignee: **Honda Motor Co., Ltd., Tokyo (JP)**

(**) Term: **14 Years**

(21) Appl. No.: **29/419,302**

(22) Filed: **Apr. 26, 2012**

(30) **Foreign Application Priority Data**

Nov. 2, 2011 (JP) 2011-025435

(51) **LOC (9) Cl.** **12-08**

(52) **U.S. Cl.**
USPC **D12/92**

(58) **Field of Classification Search**
USPC D12/86, 90-92; D21/424, 433, 434;
296/181.1, 181.5
See application file for complete search history.

(56) **References Cited**

U.S. PATENT DOCUMENTS

D506,161 S * 6/2005 Stephenson D12/92
D507,992 S * 8/2005 Stephenson D12/92
D551,126 S * 9/2007 Manfredini D12/92

D589,403 S * 3/2009 Saracoglu D12/92
D593,001 S * 5/2009 Crijns D12/92
D612,769 S * 3/2010 Cimatti D12/92
D617,683 S * 6/2010 Beneggi D12/92
D628,124 S * 11/2010 Stephenson D12/92
D637,112 S * 5/2011 Saracoglu D12/92
D664,475 S * 7/2012 Takahashi D12/92
D671,457 S * 11/2012 Goto et al. D12/92
D673,079 S * 12/2012 Goto et al. D12/92
D680,030 S * 4/2013 Rodriguez D12/92

* cited by examiner

Primary Examiner — Melody Brown

(74) *Attorney, Agent, or Firm* — Plumsea Law Group, LLC

(57) **CLAIM**

The ornamental design for an automobile, toy replica and/or other replicas, as shown and described.

DESCRIPTION

FIG. 1 is a perspective view from the front left side of an automobile, toy replica and/or other replicas.

FIG. 2 is a perspective view from the front right side thereof.

FIG. 3 is a front elevation view thereof, the rear view is a mirror image thereof;

FIG. 4 is a top plan view thereof.

FIG. 5 is a left side elevation view thereof; and,

FIG. 6 is a right side elevation view thereof.

The portion of the article shown in broken lines is for the purpose of showing environmental structure only and forms no part of the claimed design.

1 Claim, 6 Drawing Sheets

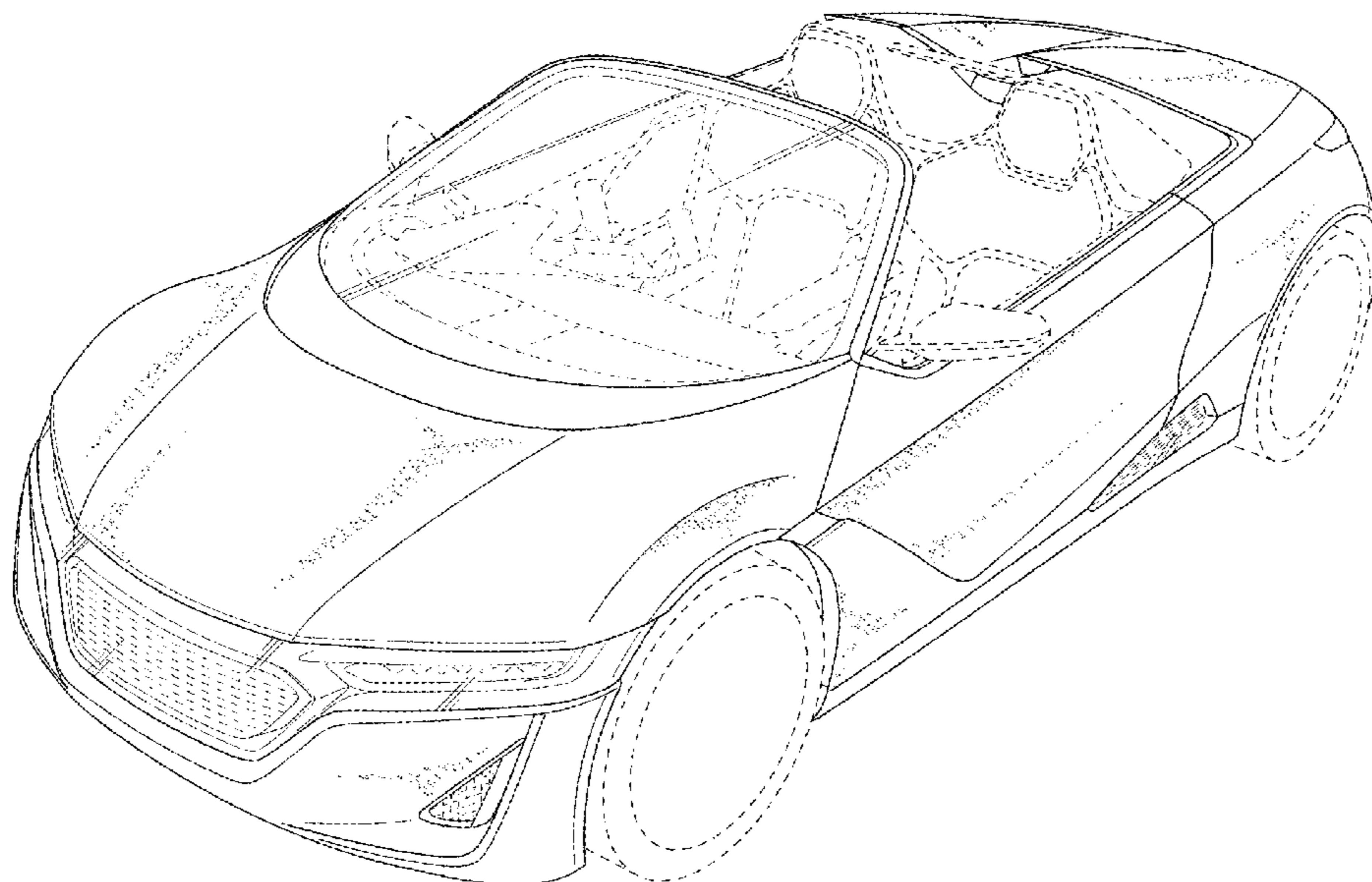


FIG. 1

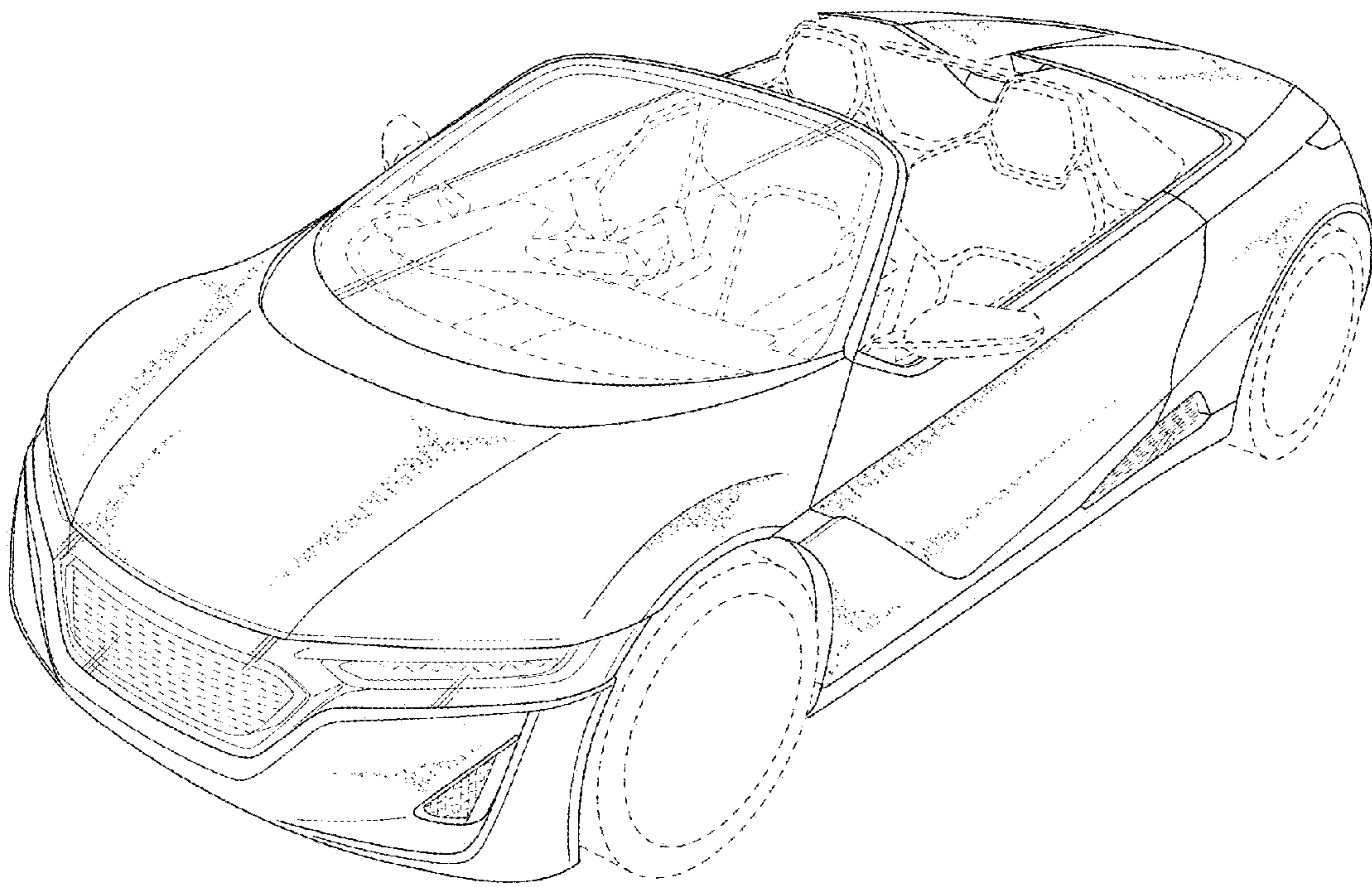


FIG. 2

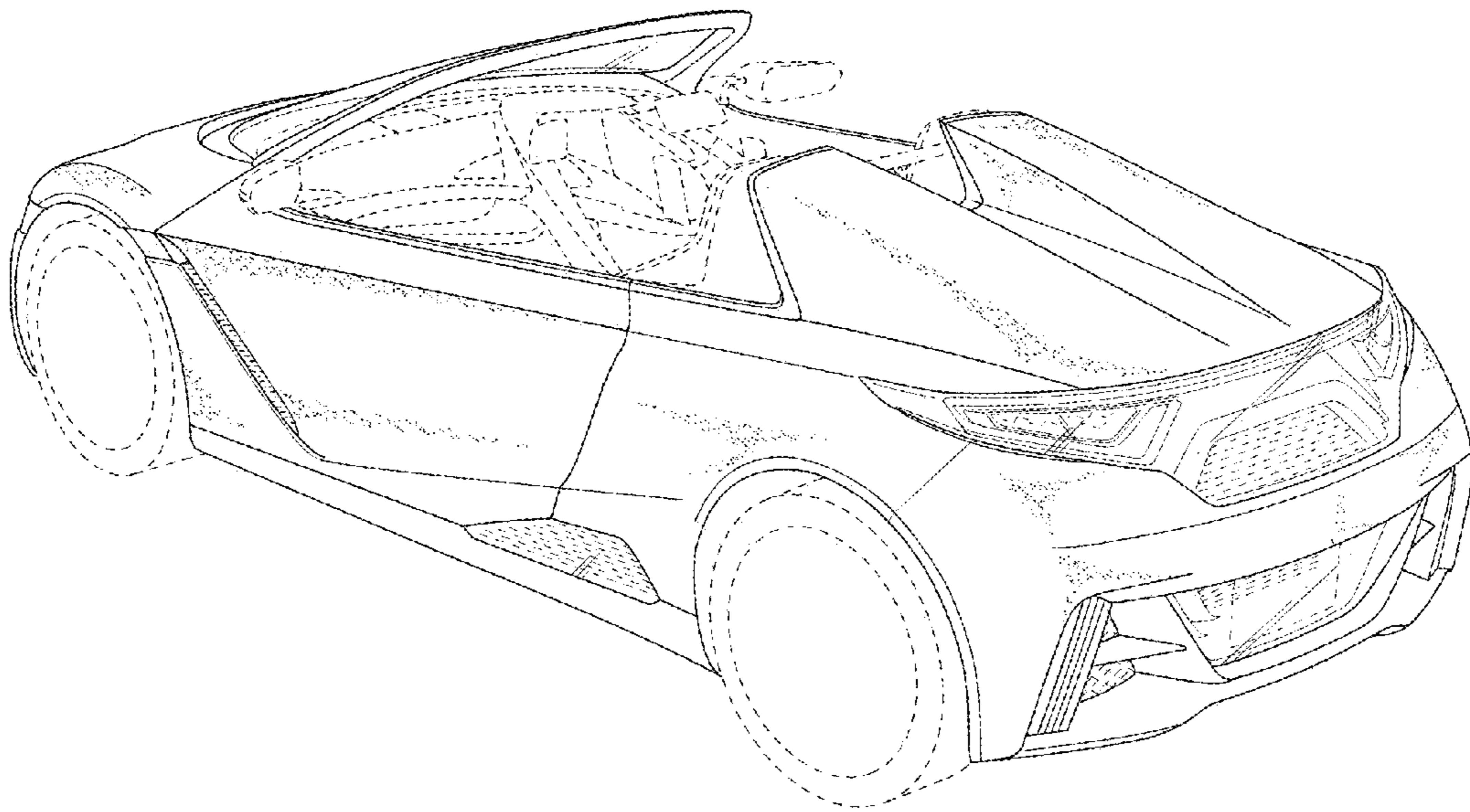


FIG. 3

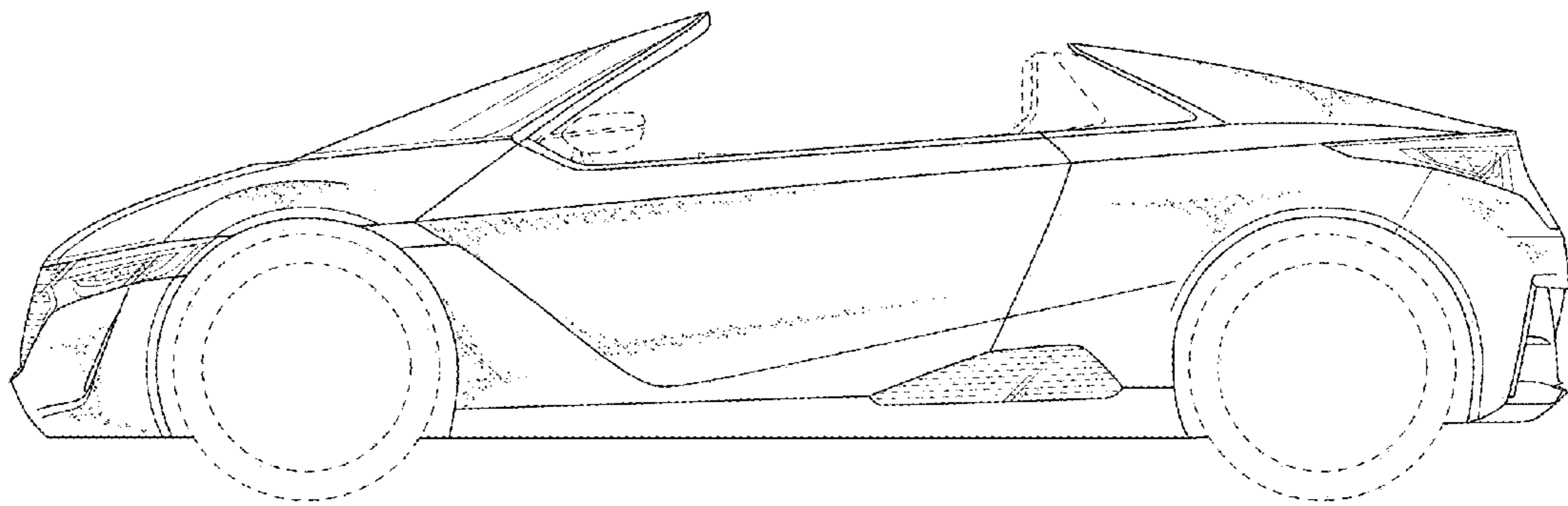


FIG. 4

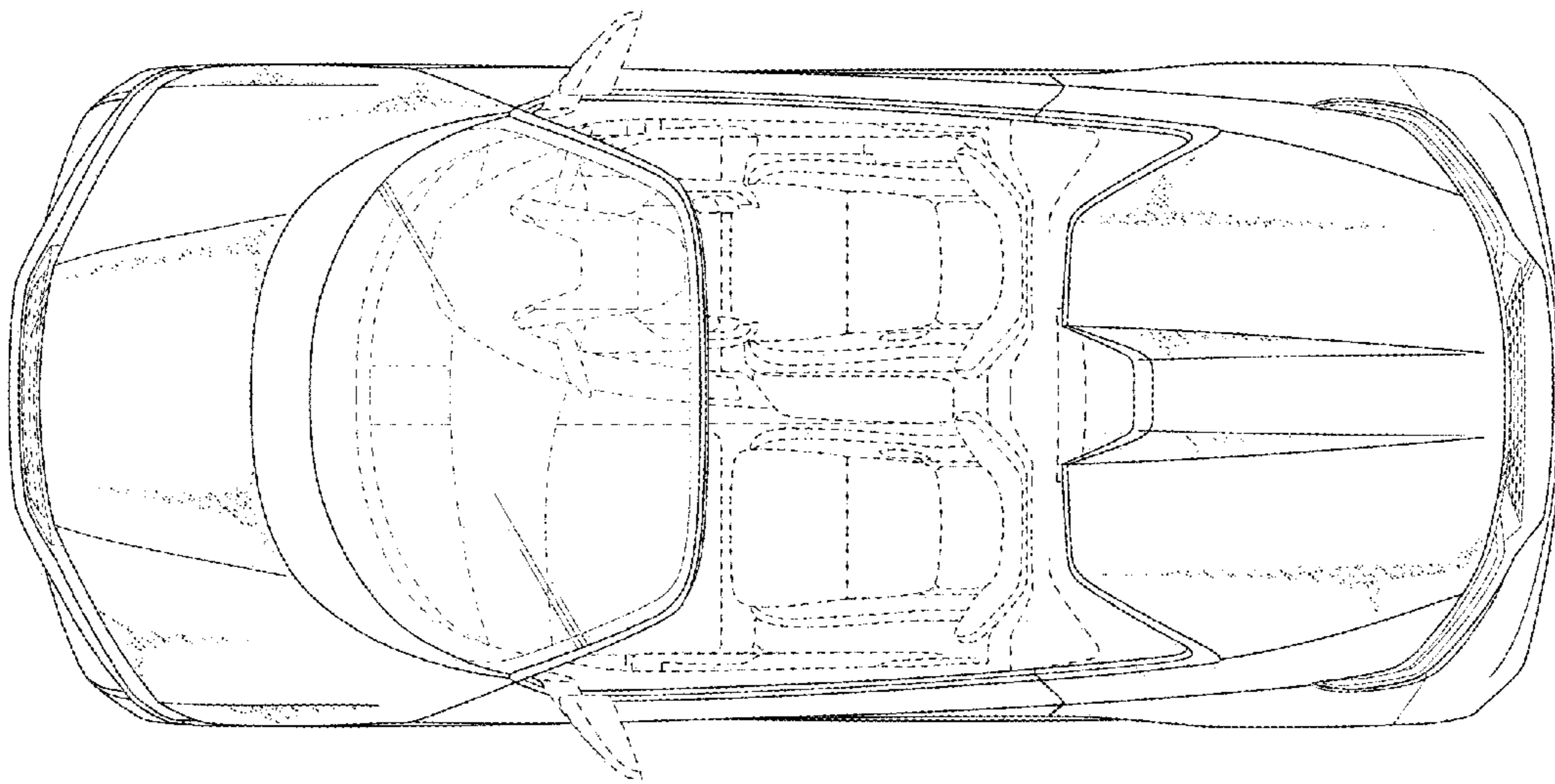


FIG. 5

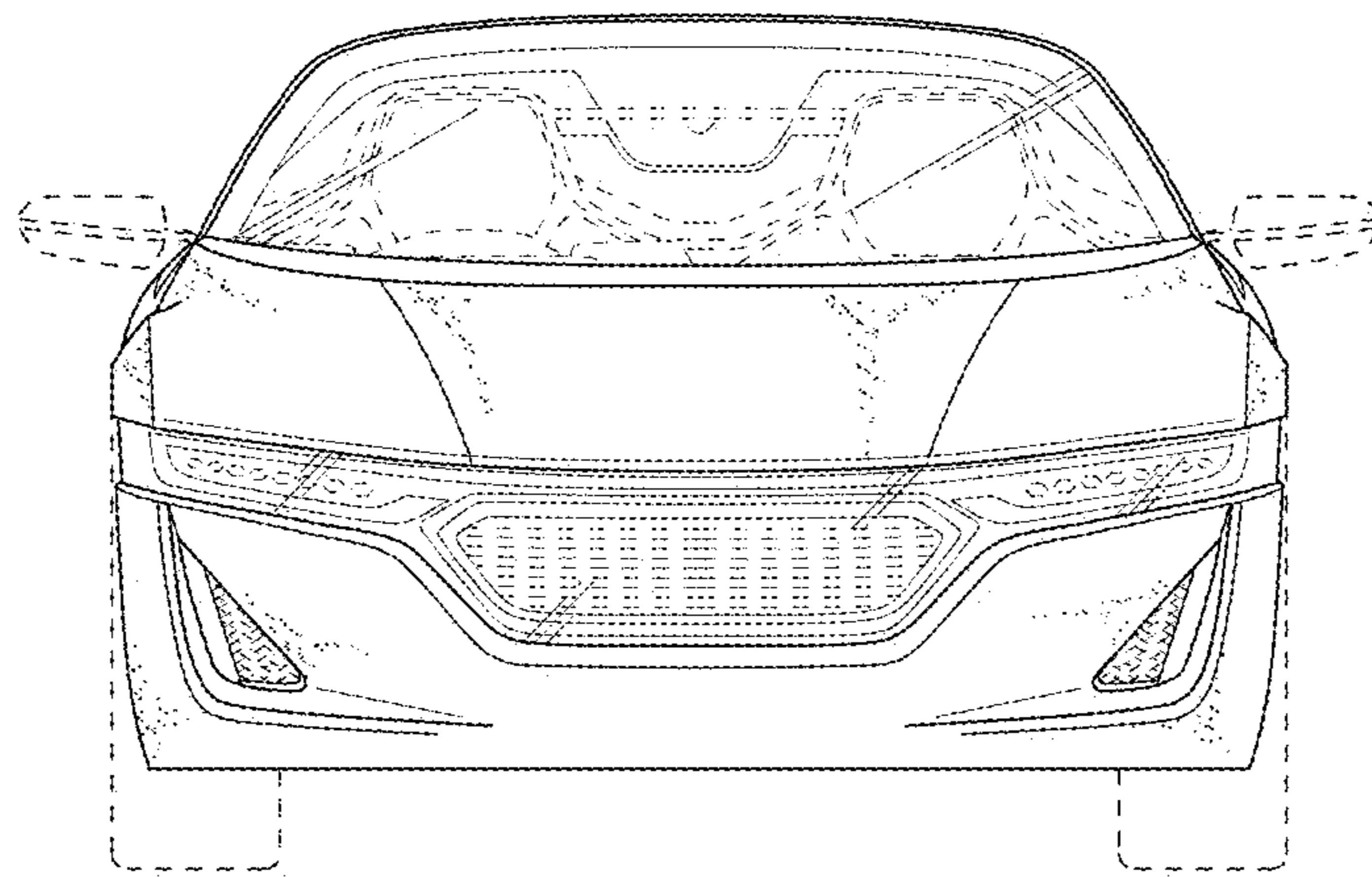


FIG. 6

