



US00D692349S

(12) **United States Design Patent**  
**Ohhashi et al.**

(10) **Patent No.:** **US D692,349 S**  
(45) **Date of Patent:** **\*\* Oct. 29, 2013**

(54) **AUTOMOBILE, TOY REPLICA AND/OR  
OTHER REPLICAS**

(75) Inventors: **Akihiko Ohhashi**, Wako (JP); **Keisuke  
Nakamura**, Wako (JP)

(73) Assignee: **Honda Motor Co., Ltd.**, Tokyo (JP)

(\*\*) Term: **14 Years**

(21) Appl. No.: **29/419,035**

(22) Filed: **Apr. 24, 2012**

(30) **Foreign Application Priority Data**

Oct. 28, 2011 (JP) ..... 2011-024937

(51) **LOC (9) Cl.** ..... **12-08**

(52) **U.S. Cl.**  
USPC ..... **D12/92**

(58) **Field of Classification Search**  
USPC ..... D12/86, 90-92; D21/424, 433, 434;  
296/181.1, 181.5

See application file for complete search history.

(56) **References Cited**

U.S. PATENT DOCUMENTS

D605,561 S *	12/2009	Leng et al. ....	D12/92
D641,666 S *	7/2011	Yi .....	D12/92
D676,789 S *	2/2013	Song et al. ....	D12/92
D680,910 S *	4/2013	David .....	D12/92
D683,268 S *	5/2013	Musk et al. ....	D12/92

\* cited by examiner

*Primary Examiner* — Melody Brown

(74) *Attorney, Agent, or Firm* — Plumsea Law Group, LLC

(57) **CLAIM**

The ornamental design for an automobile, toy replica and/or other replicas, as shown and described.

**DESCRIPTION**

FIG. 1 is a perspective view from the front left side of an automobile, toy replica and/or other replicas.

FIG. 2 is a perspective view from the front right side thereof.

FIG. 3 is a front elevation view thereof, the rear view is a mirror image thereof;

FIG. 4 is a left side elevation view thereof.

FIG. 5 is a right side elevation view thereof; and,

FIG. 6 is a top plan view thereof.

The portion of the article shown in broken lines is for the purpose of showing environmental structure only and forms no part of the claimed design.

**1 Claim, 6 Drawing Sheets**

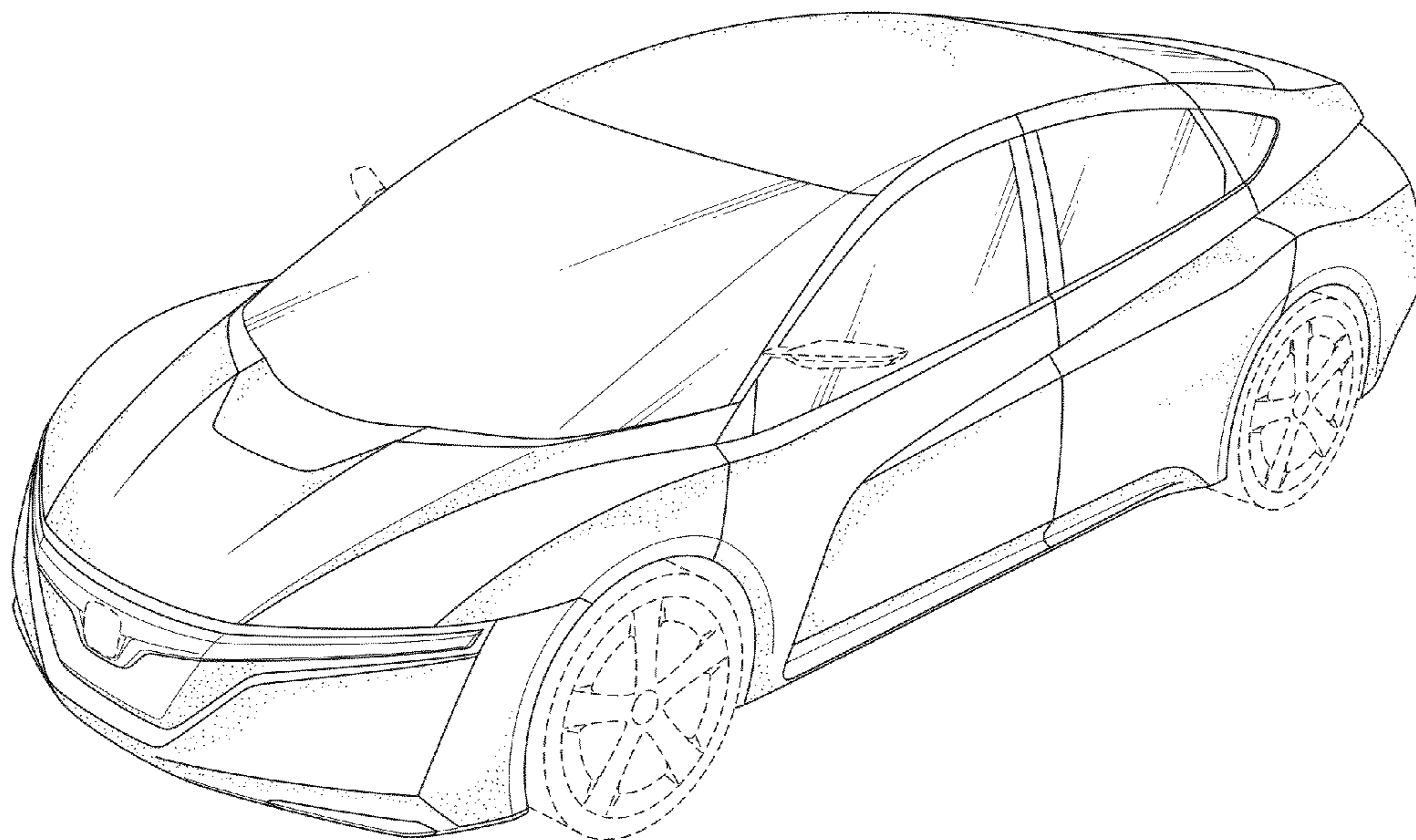


FIG. 1

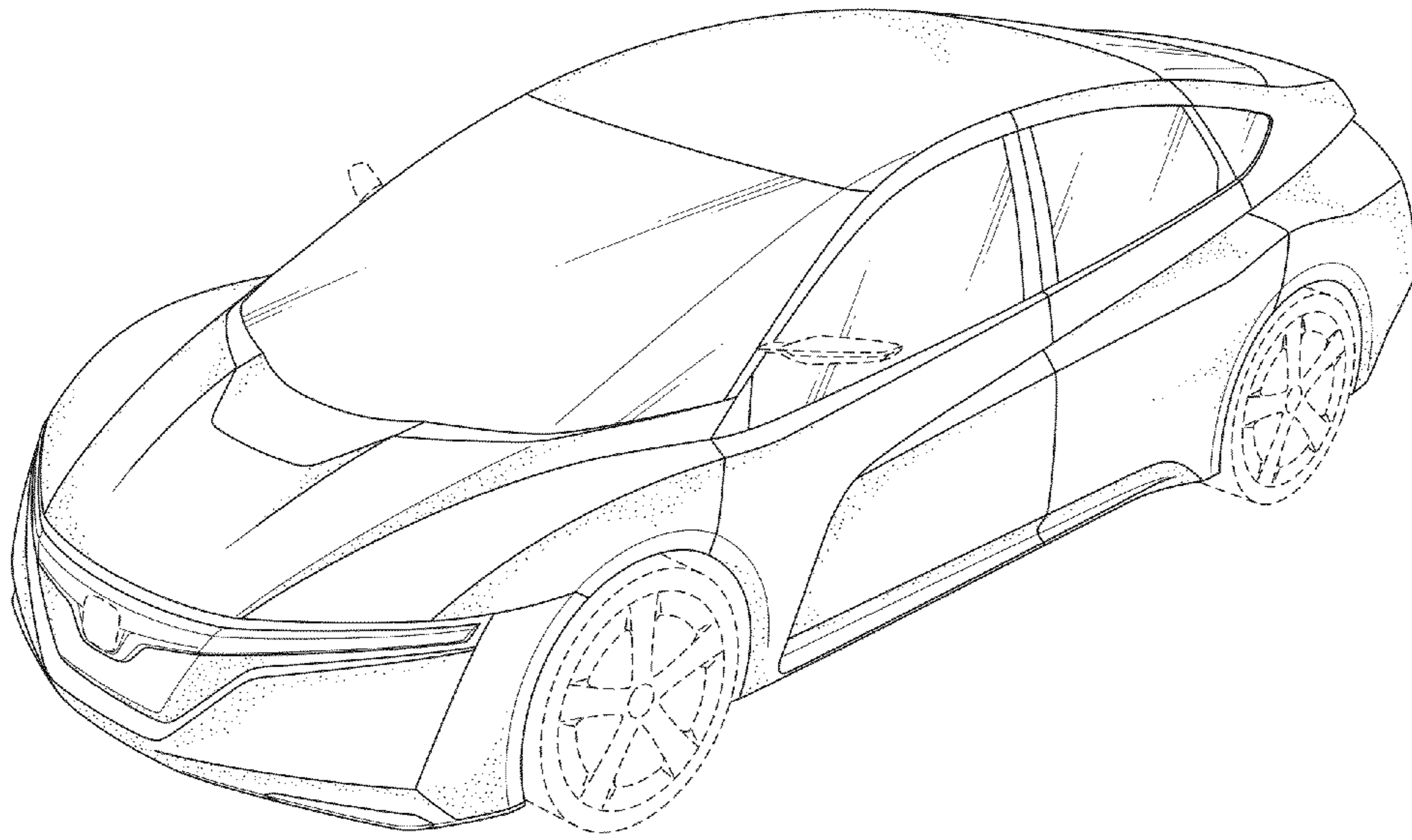


FIG. 2

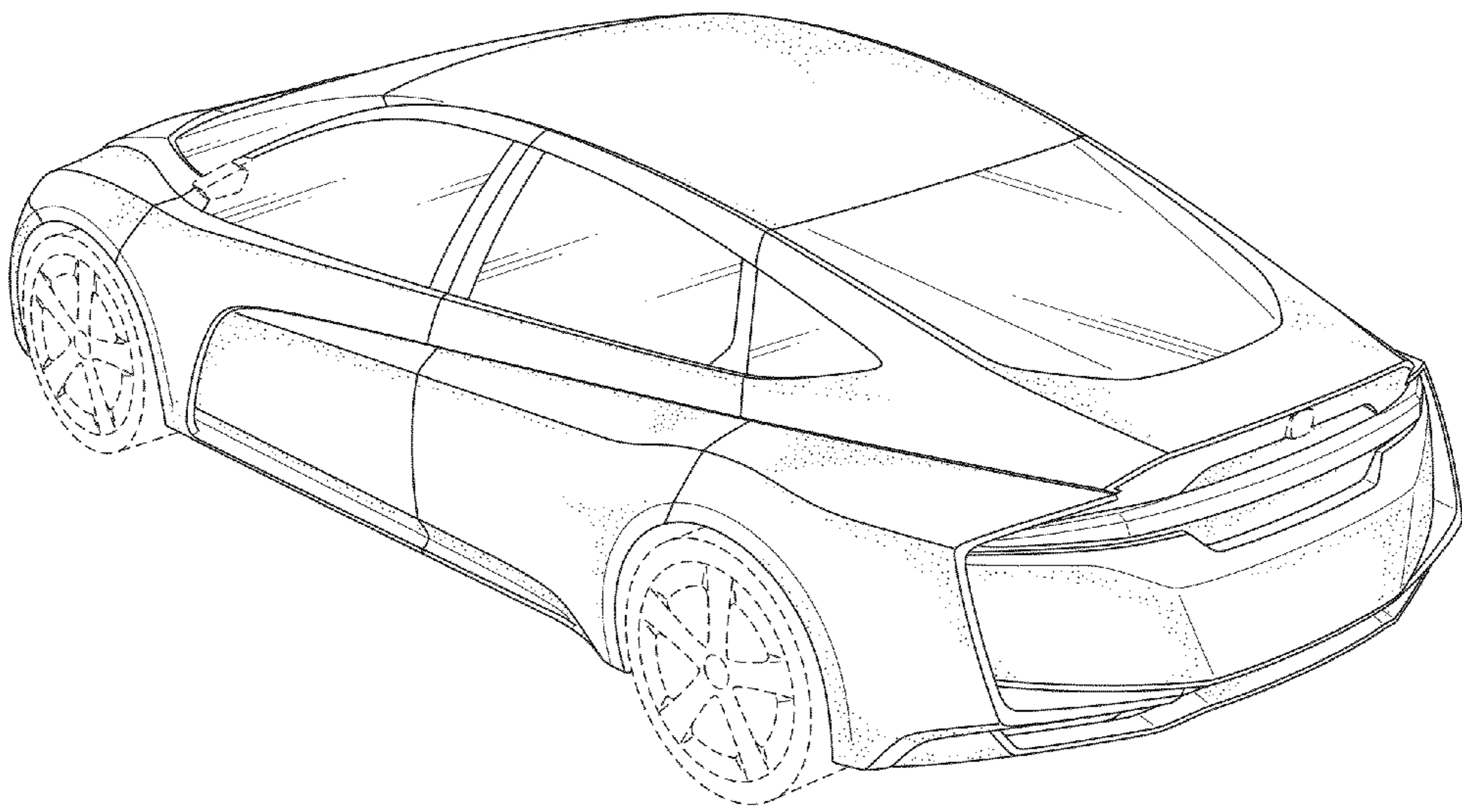


FIG. 3

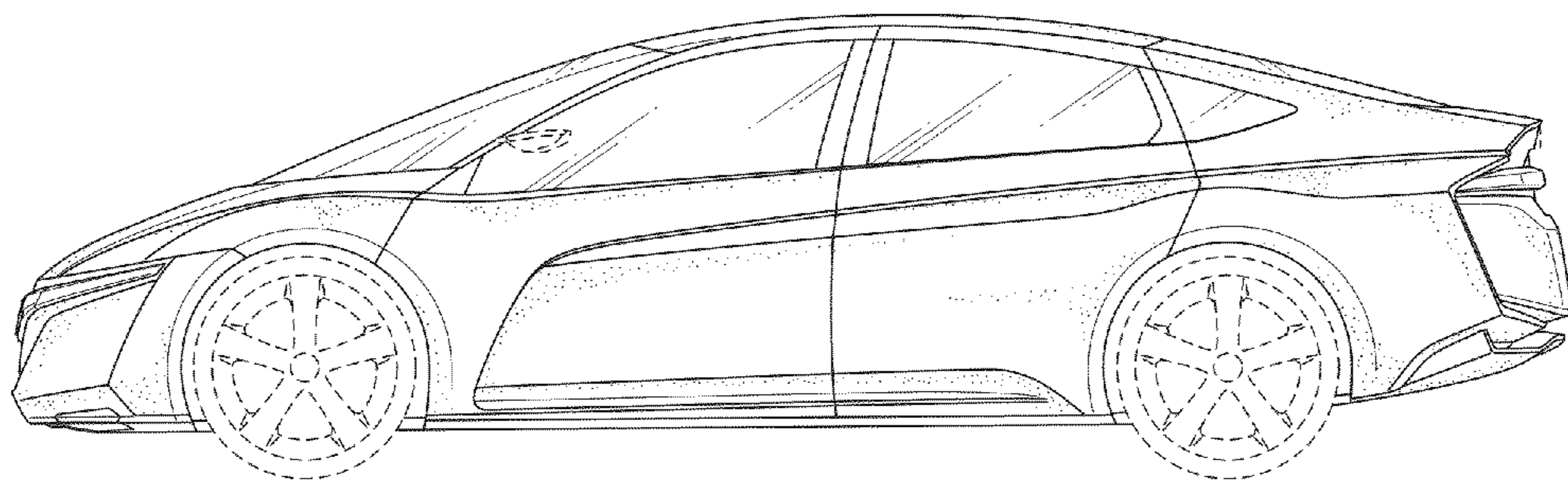


FIG. 4

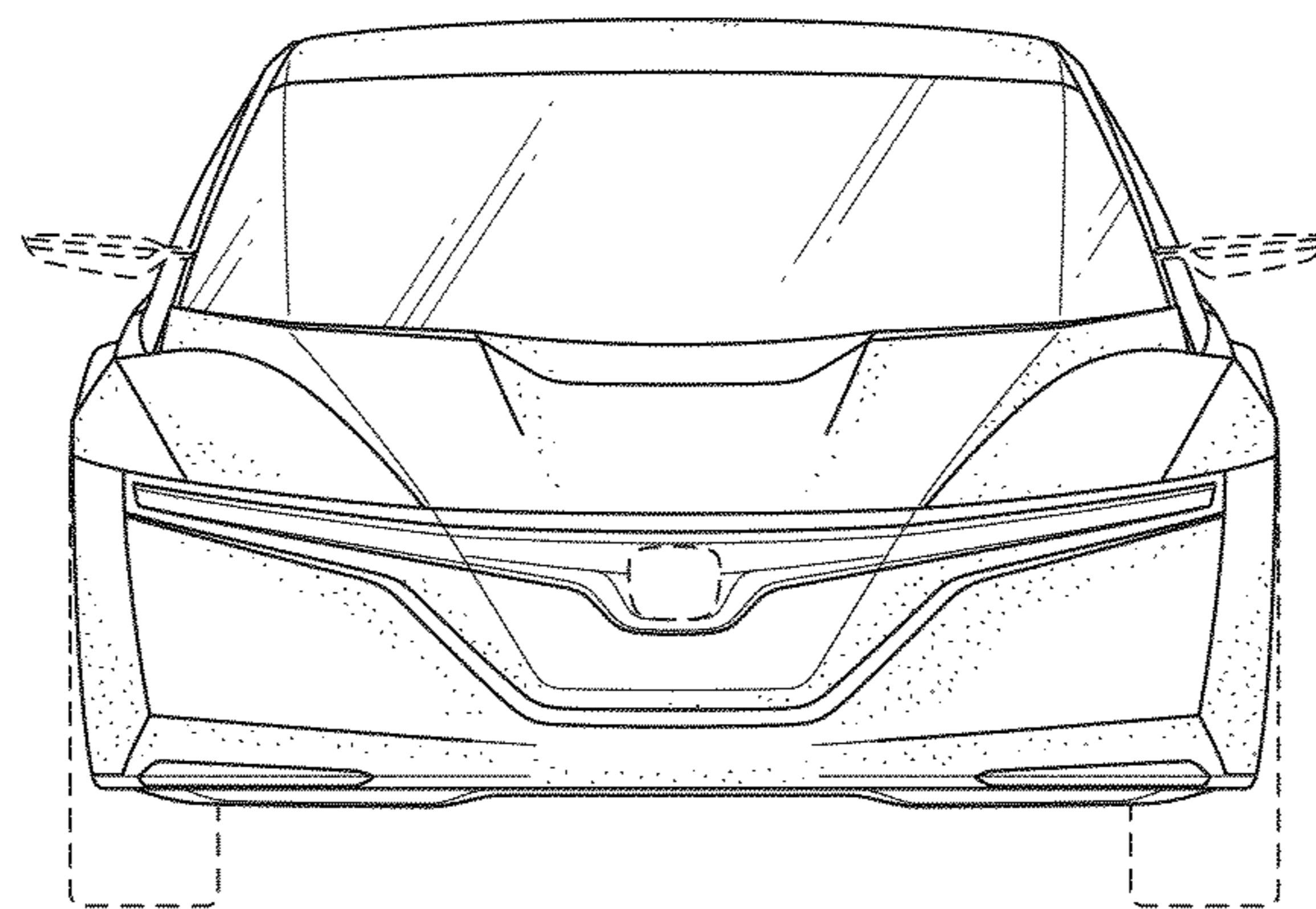


FIG. 5

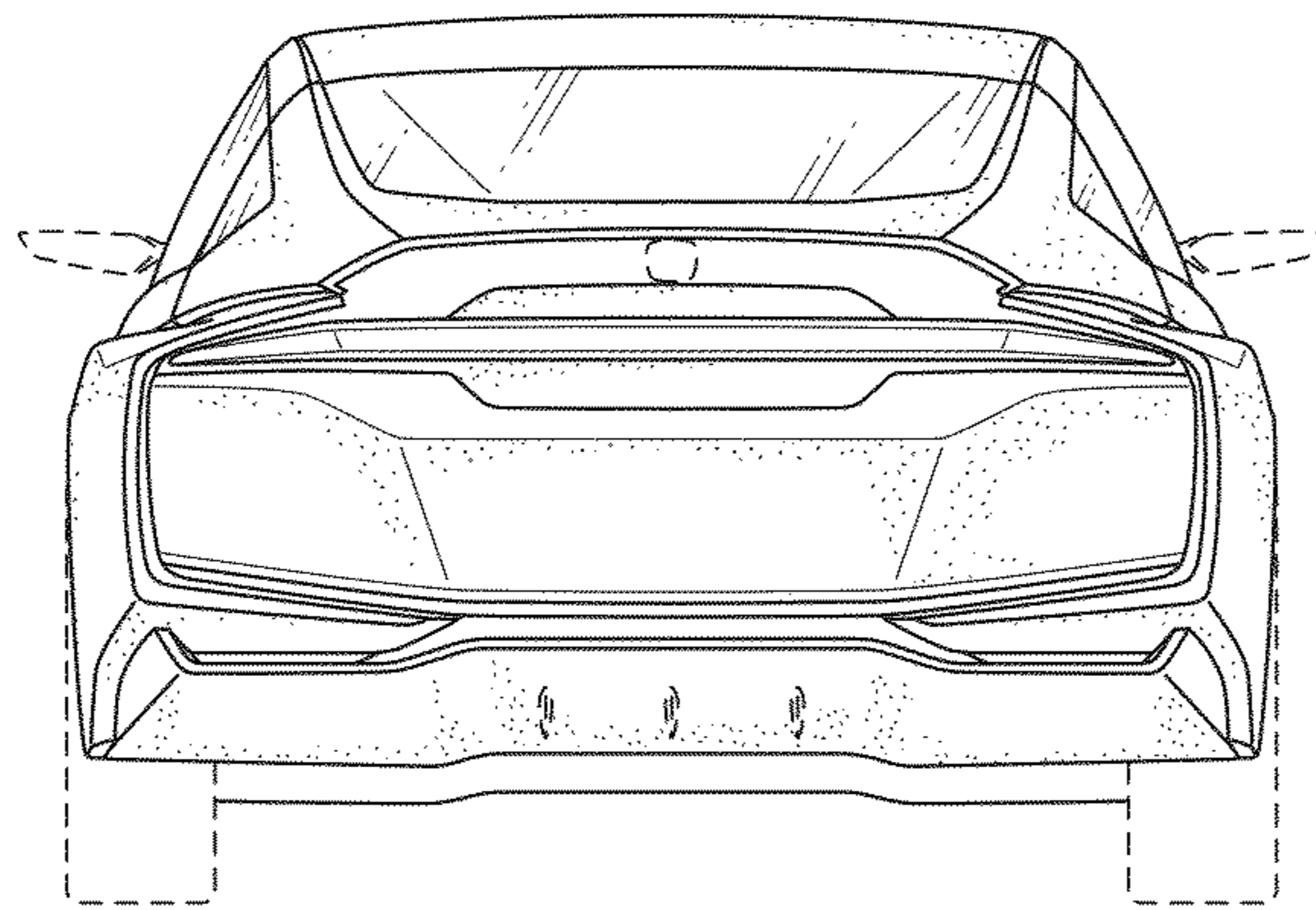


FIG. 6

