



US00D692347S

(12) **United States Design Patent**  
**Tada et al.**

(10) **Patent No.:** **US D692,347 S**  
(45) **Date of Patent:** **\*\* Oct. 29, 2013**

(54) **AUTOMOBILE AND/OR TOY REPLICA THEREOF**

7,988,453 B2 \* 8/2011 Loo et al. .... 439/34  
8,011,718 B2 \* 9/2011 Tsuyuzaki et al. .... 296/203.04  
D657,716 S \* 4/2012 Cartabiano et al. .... D12/91

(75) Inventors: **Hiroyuki Tada**, Nagoya (JP); **Masayuki Yamaji**, Miyoshi (JP)

OTHER PUBLICATIONS

(73) Assignee: **Toyota Jidosha Kabushiki Kaisha**, Toyota-shi, Aichi-ken (JP)

2011 Scion xD. Vehicle Brochure. Sep. 23, 2010 [online], [retrieved on Feb. 27, 2013]. Retrieved from the Internet <URL: [http://www.auto-brochures.com/makes/Scion/xD/Scion\\_US%20xD\\_2011.pdf](http://www.auto-brochures.com/makes/Scion/xD/Scion_US%20xD_2011.pdf)>.\*

(\*\*) Term: **14 Years**

2012 Scion xD. Vehicle Brochure. Aug. 26, 2011 [online], [retrieved on Feb. 27, 2013]. Retrieved from the Internet <URL: [http://www.auto-brochures.com/makes/Scion/xD/Scion\\_US%20xD\\_2012.pdf](http://www.auto-brochures.com/makes/Scion/xD/Scion_US%20xD_2012.pdf)>.\*

(21) Appl. No.: **29/424,027**

(Continued)

(22) Filed: **Jun. 7, 2012**

*Primary Examiner* — Philip S Hyder  
*Assistant Examiner* — Darlington Ly

(30) **Foreign Application Priority Data**

Mar. 9, 2012 (JP) ..... 2012-005392  
Mar. 9, 2012 (JP) ..... 2012-005412

(74) *Attorney, Agent, or Firm* — Finnegan, Henderson, Farabow, Garrett & Dunner, LLP

(51) **LOC (9) Cl.** ..... **12-08**

(57) **CLAIM**

(52) **U.S. Cl.**  
USPC ..... **D12/91**

The ornamental design for an automobile and/or toy replica thereof, as shown and described.

(58) **Field of Classification Search**  
USPC ..... D12/86, 88, 90, 91, 92; D21/424, 433, D21/434; 296/181.1, 181.5  
See application file for complete search history.

**DESCRIPTION**

(56) **References Cited**

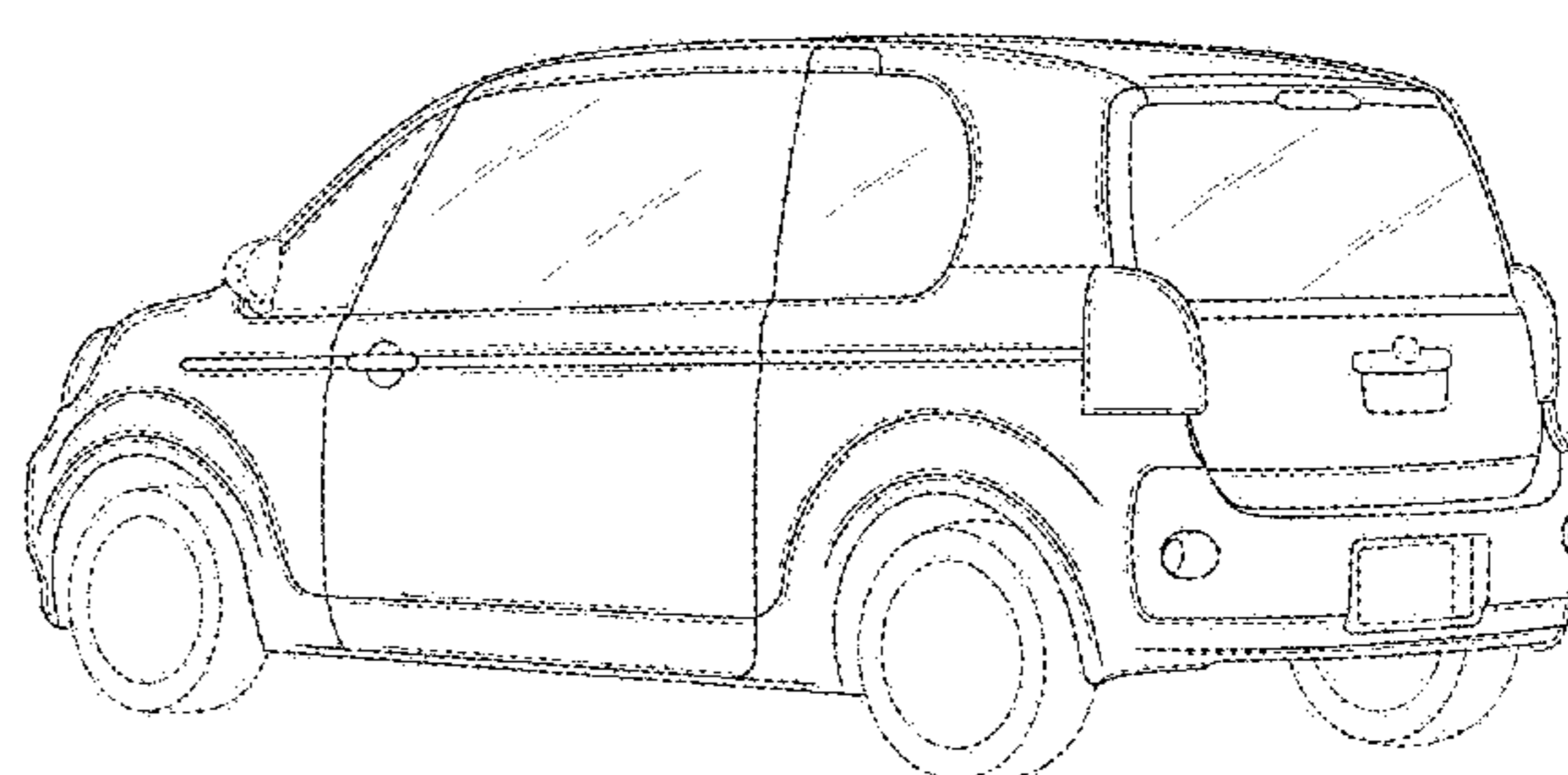
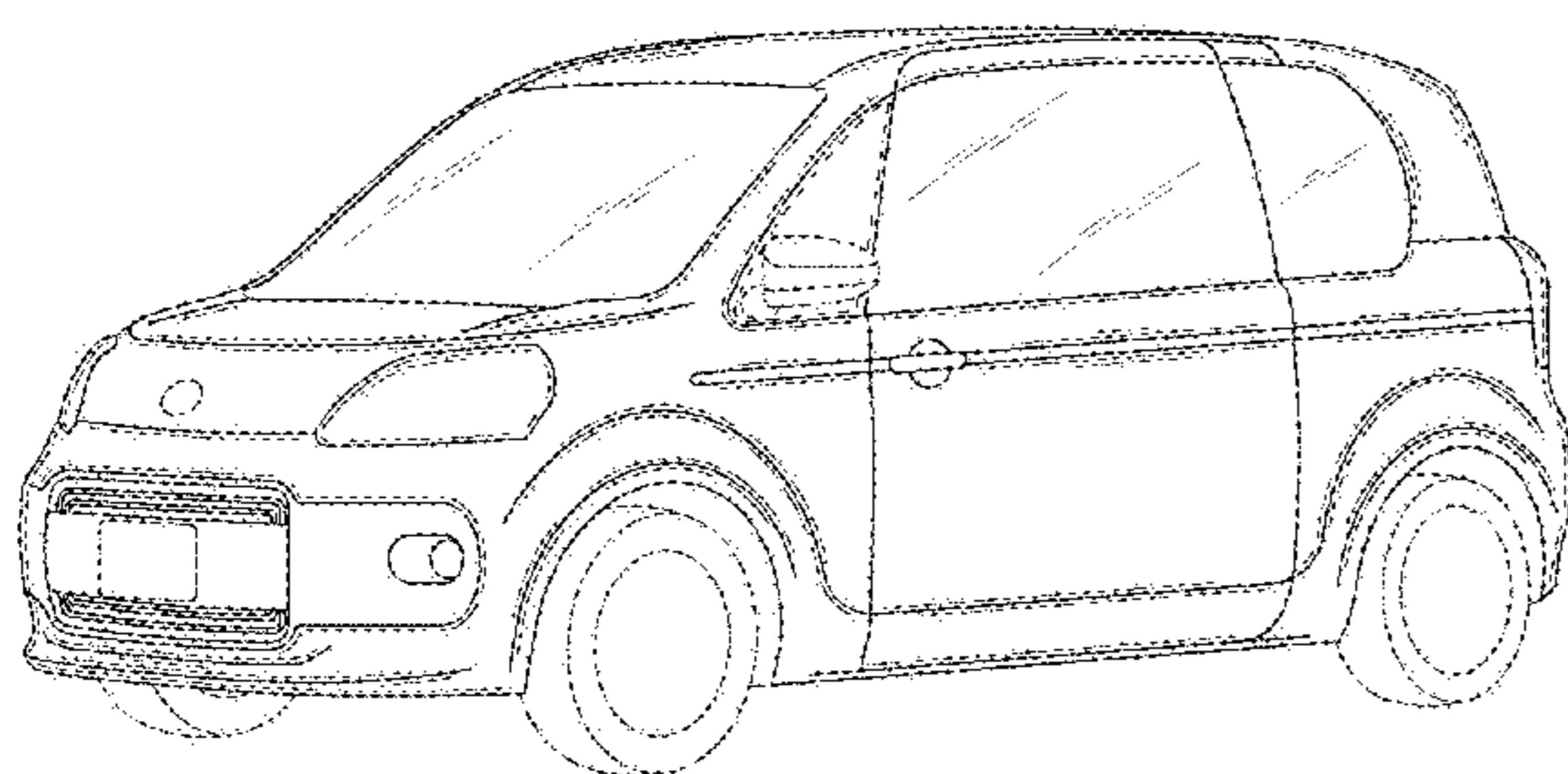
U.S. PATENT DOCUMENTS

D490,019 S \* 5/2004 Sakae ..... D12/91  
D504,087 S \* 4/2005 Hakamata et al. .... D12/91  
D504,639 S \* 5/2005 Oishi et al. .... D12/91  
D528,469 S 9/2006 Yakushi et al.  
D532,337 S \* 11/2006 Hakamata et al. .... D12/91  
D540,214 S \* 4/2007 Nakai et al. .... D12/91  
D551,119 S \* 9/2007 Okamoto ..... D12/91  
D563,275 S \* 3/2008 Kim et al. .... D12/91  
D567,713 S \* 4/2008 Ohishi et al. .... D12/91  
D568,210 S \* 5/2008 Ohishi et al. .... D12/91  
D572,628 S \* 7/2008 Nakajima ..... D12/90

FIG. 1 is a front left perspective view of an automobile and/or toy replica thereof showing our new design;  
FIG. 2 is a rear left perspective view thereof;  
FIG. 3 is a front right perspective view thereof;  
FIG. 4 is a rear right perspective view thereof;  
FIG. 5 is a front view thereof;  
FIG. 6 is a rear view thereof;  
FIG. 7 is a left side elevation view thereof;  
FIG. 8 is a right side elevation view thereof; and,  
FIG. 9 is a top plan view thereof.

The bottom view forms no part of the claimed design. The portions of the drawings in broken lines are environment and the elements depicted in broken lines form no part of the claimed design.

**1 Claim, 8 Drawing Sheets**



(56)

**References Cited**

OTHER PUBLICATIONS

2011 Nissan Cube. Vehicle Brochure. Oct. 22, 2010 [online], [retrieved on Feb 2, 2013]. Retrieved from the Internet <URL: [http://www.auto-brochures.com/makes/Nissan/Cube/Nissan\\_US%20Cube\\_2011.pdf](http://www.auto-brochures.com/makes/Nissan/Cube/Nissan_US%20Cube_2011.pdf)>.\*  
AutoCone.com; FunCargo; Mfg.: Toyota; <http://autoc-one.jp/toyota/funcargo/photo/2/> (2004).

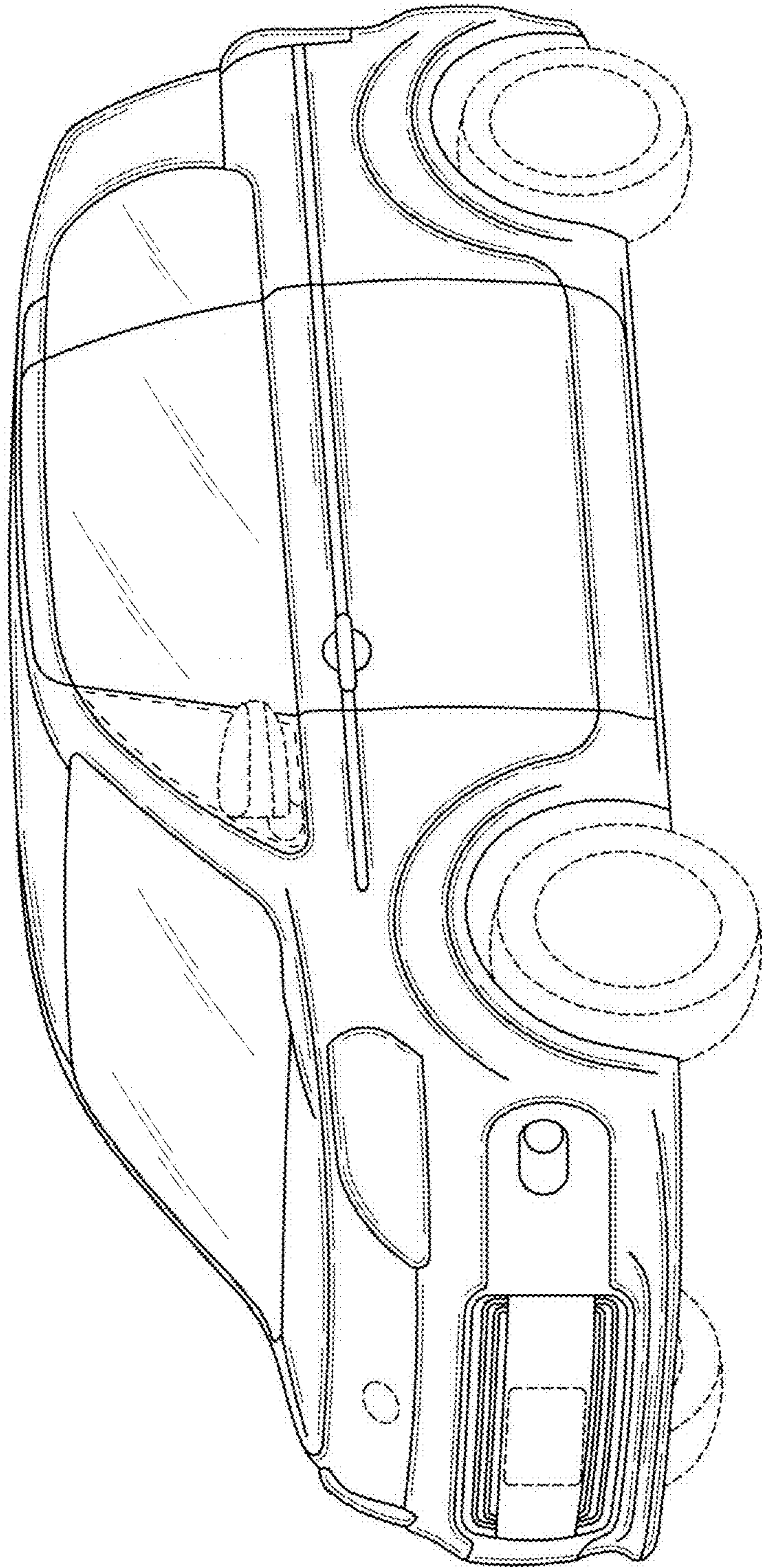
Yunyusa no subete 2007; Kangoo; Mfg.: Renault; Publisher: San-eishobo Publishing Co., Ltd.; (May 6, 2007).

Catalogue of Toyota Voxy; Voxy; Mfg.: Toyota; Publisher: Toyota Jidosha Kabushiki Kaisha (2001).

Catalogue of Toyota dB; dB; Mfg.: Toyota; Publisher: Toyota Jidosha Kabushiki Kaisha (2010).

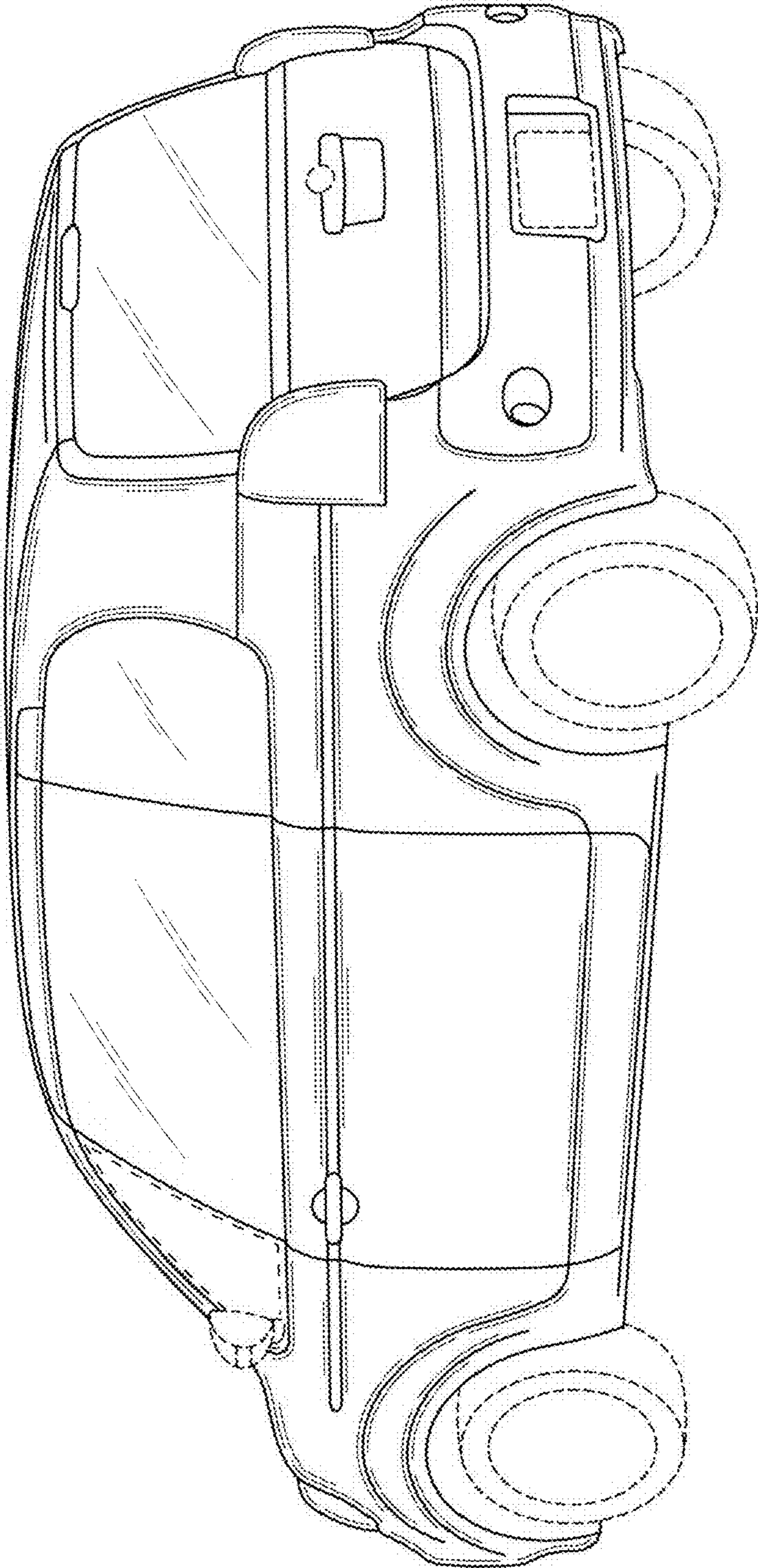
Netcarshow.com; Chevrolet Astro (1999); Mfg.: Chevrolet; <http://www.netcarshow.com/chevrolet/1999-astro/> (1999).

\* cited by examiner

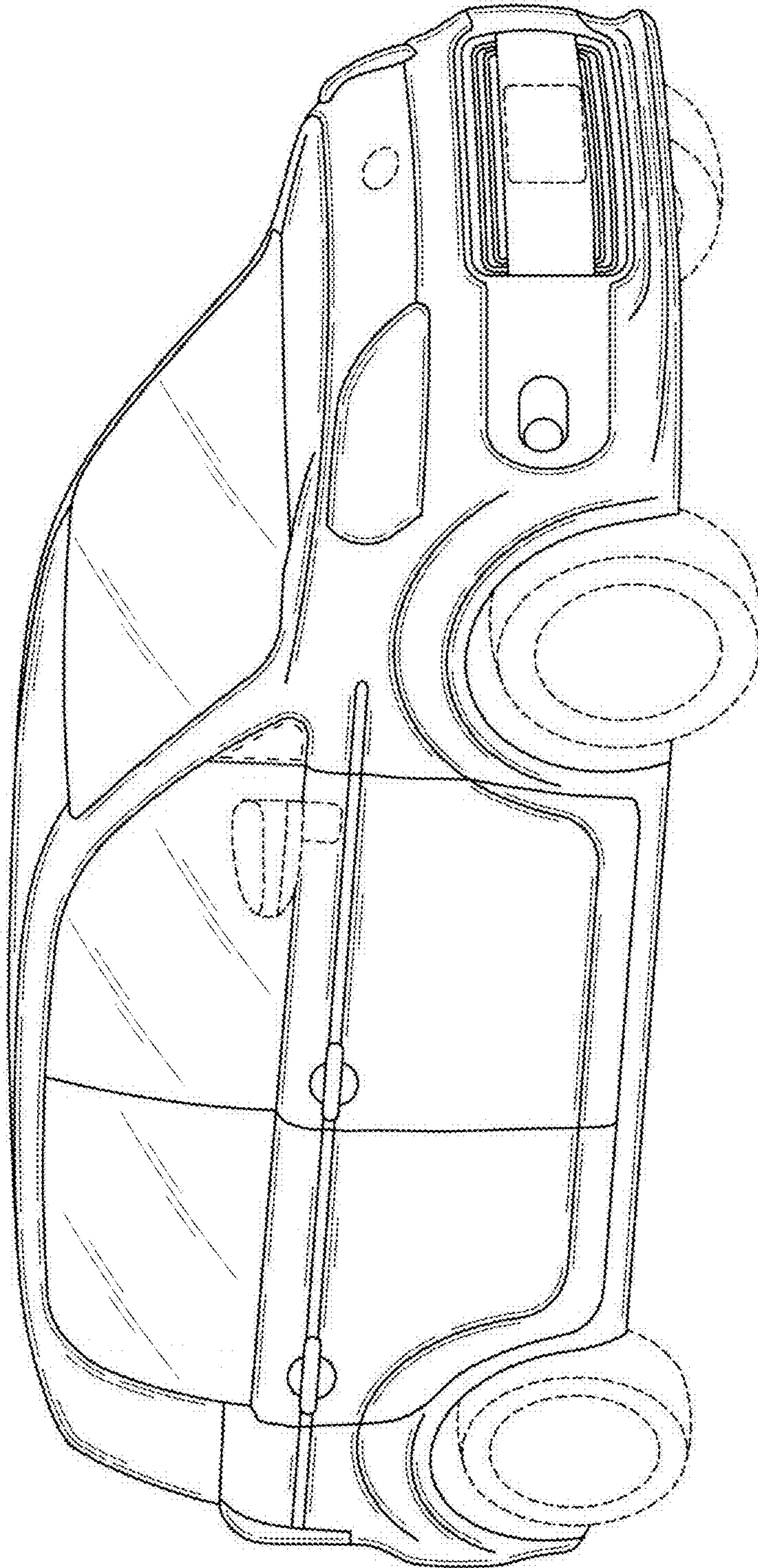


**FIG. 1**



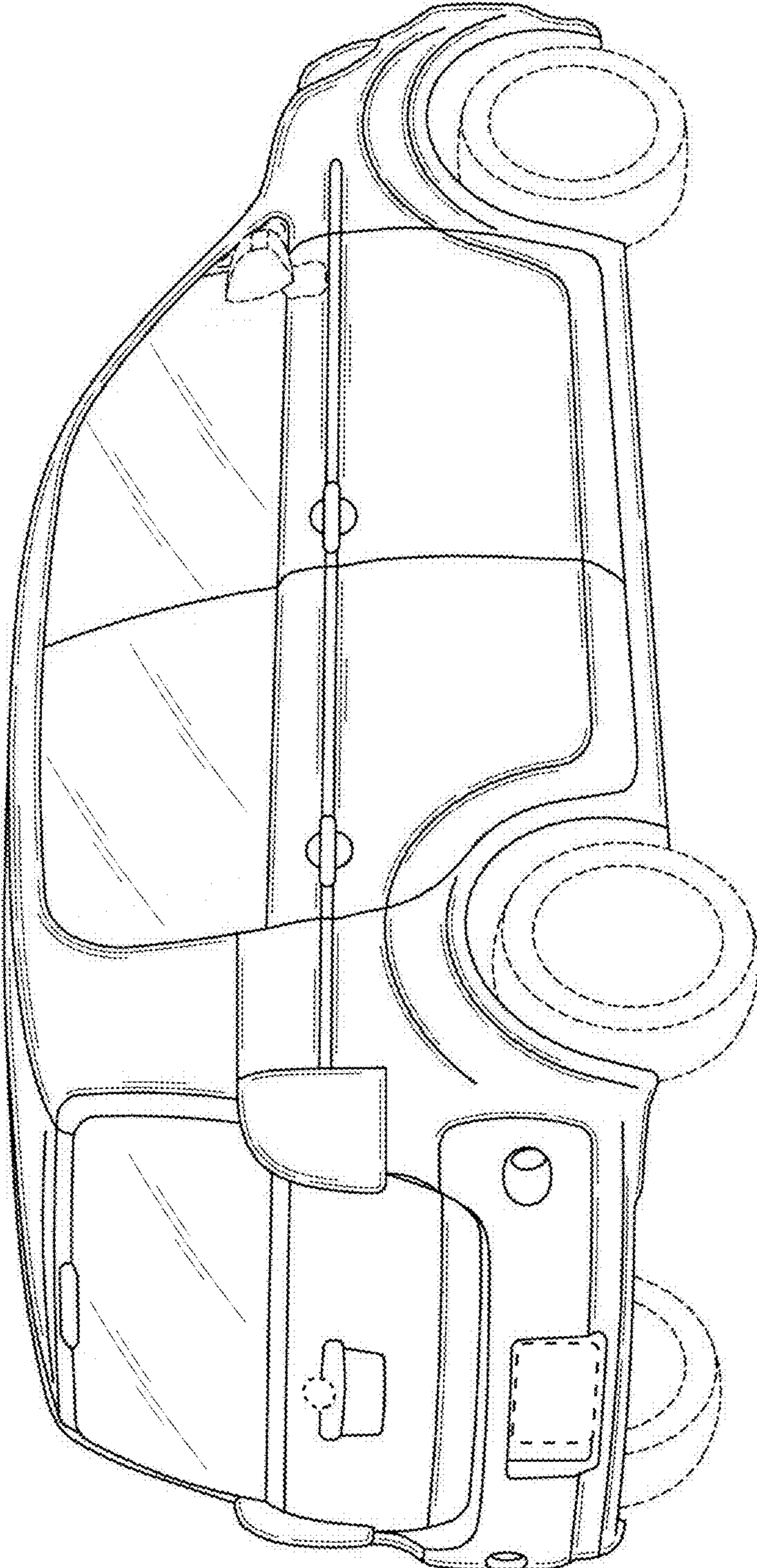


**FIG. 2**

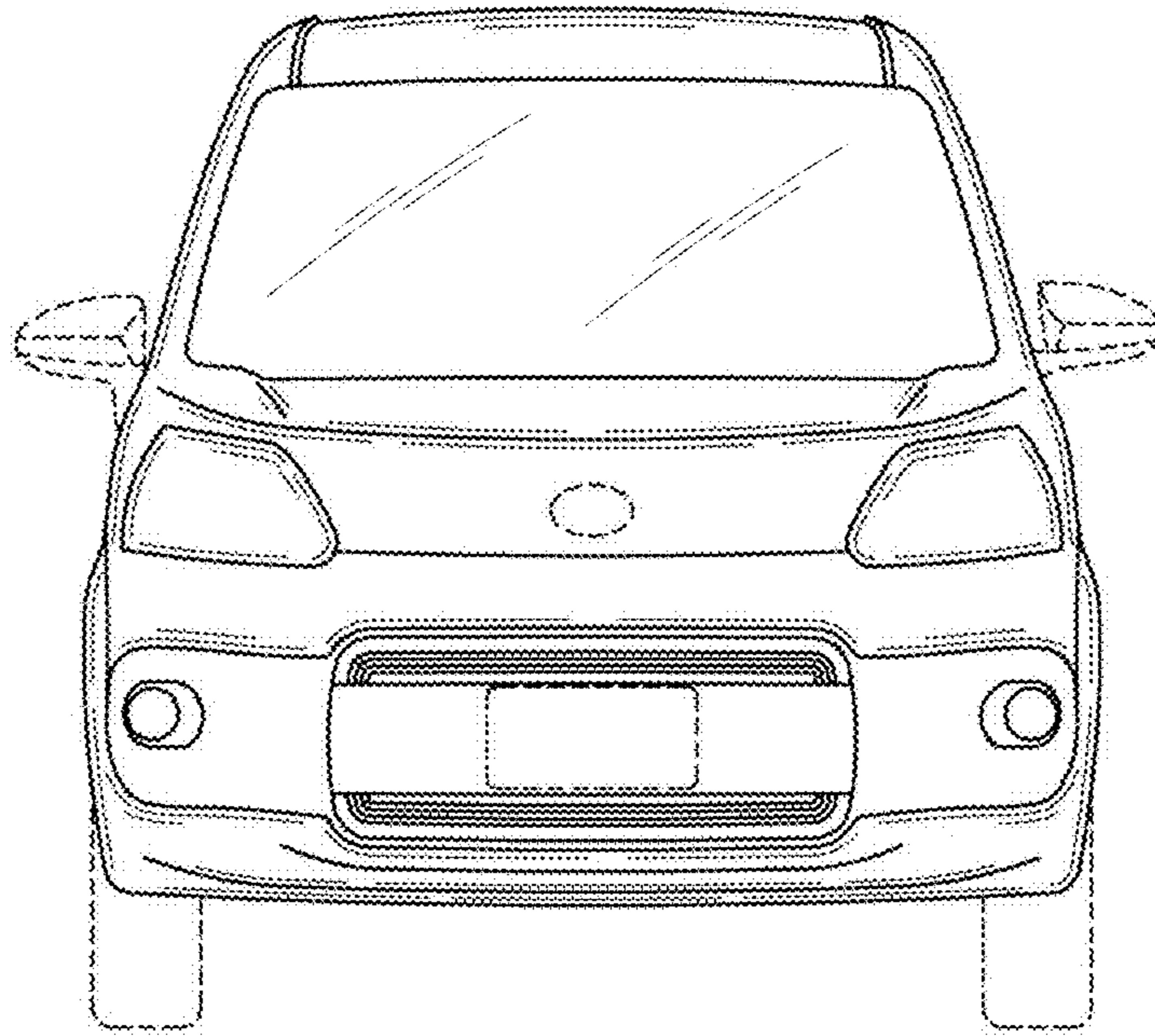


**FIG. 3**

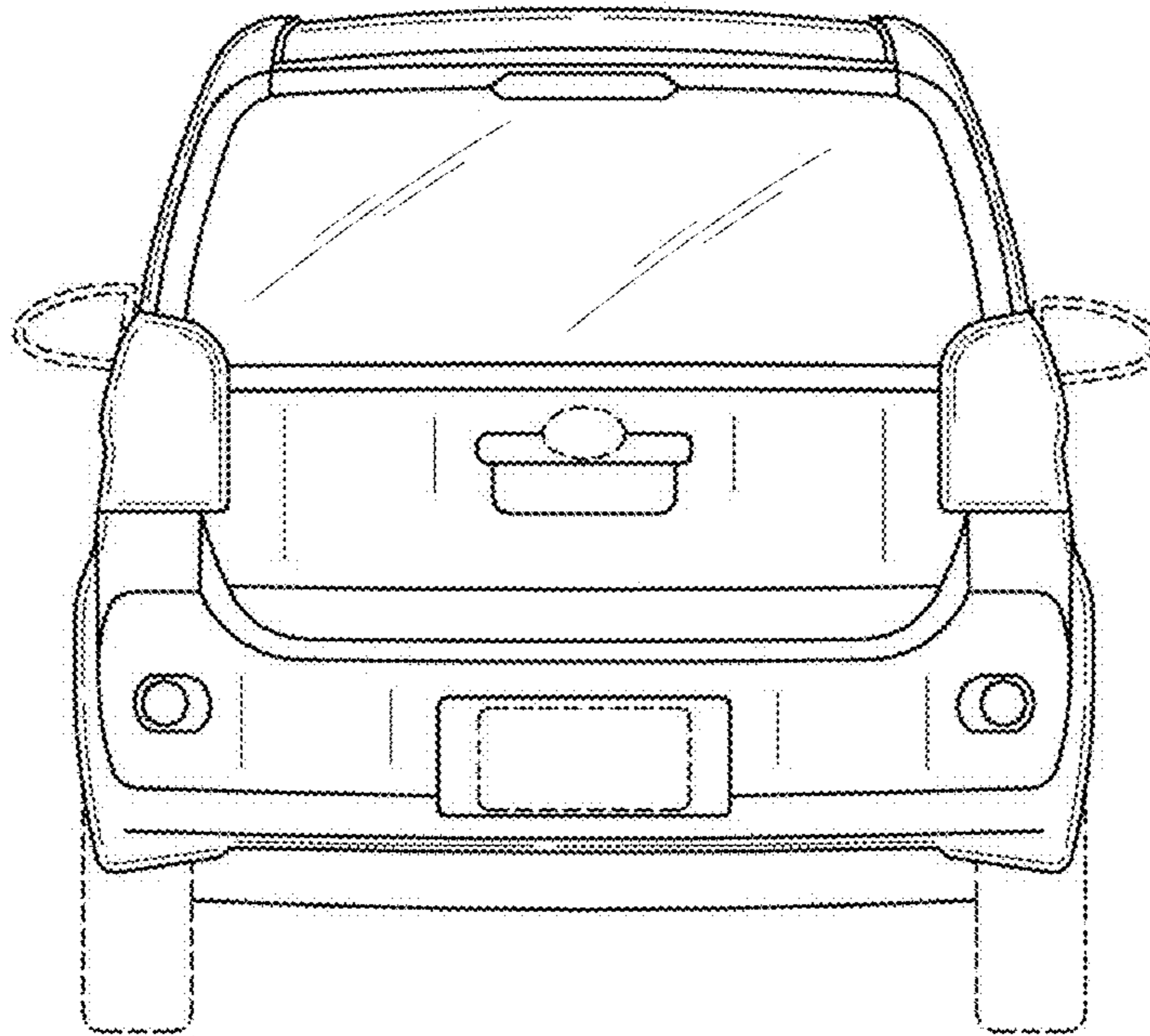




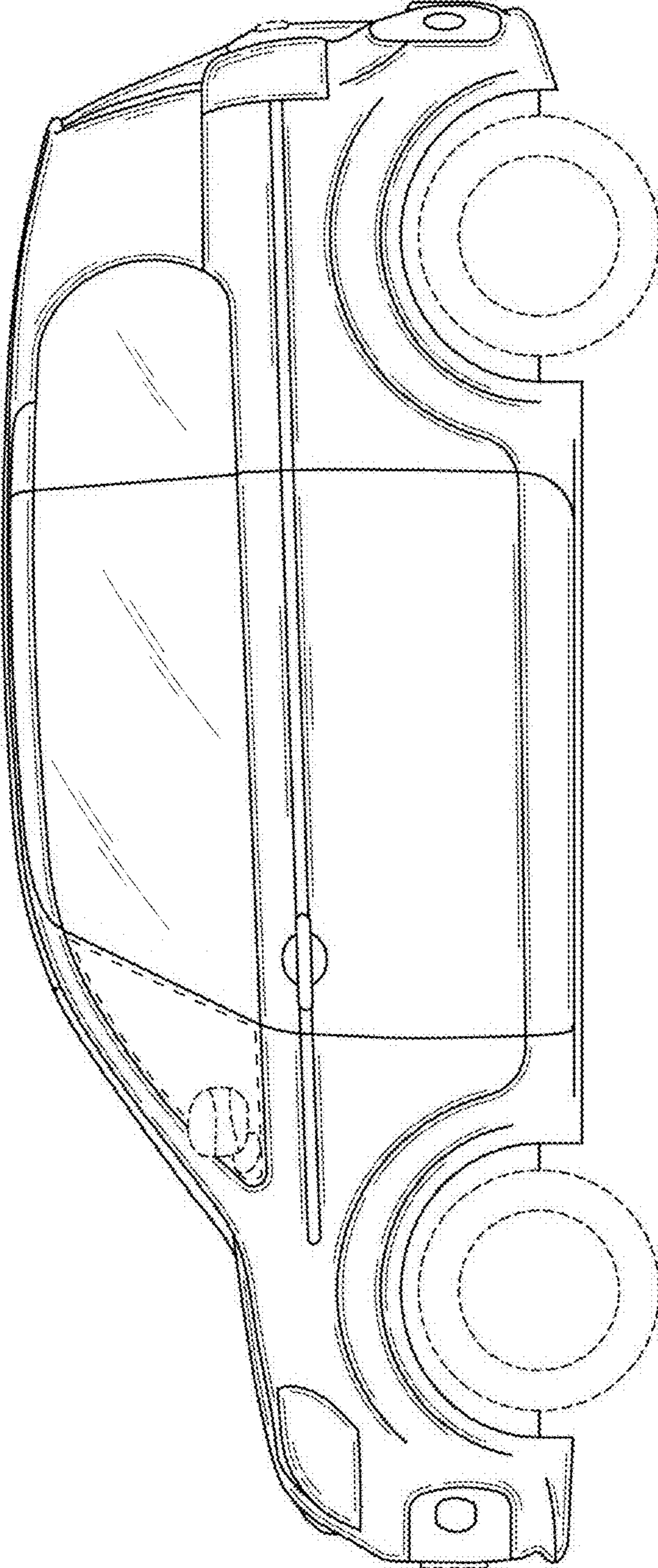
**FIG. 4**



**FIG. 5**

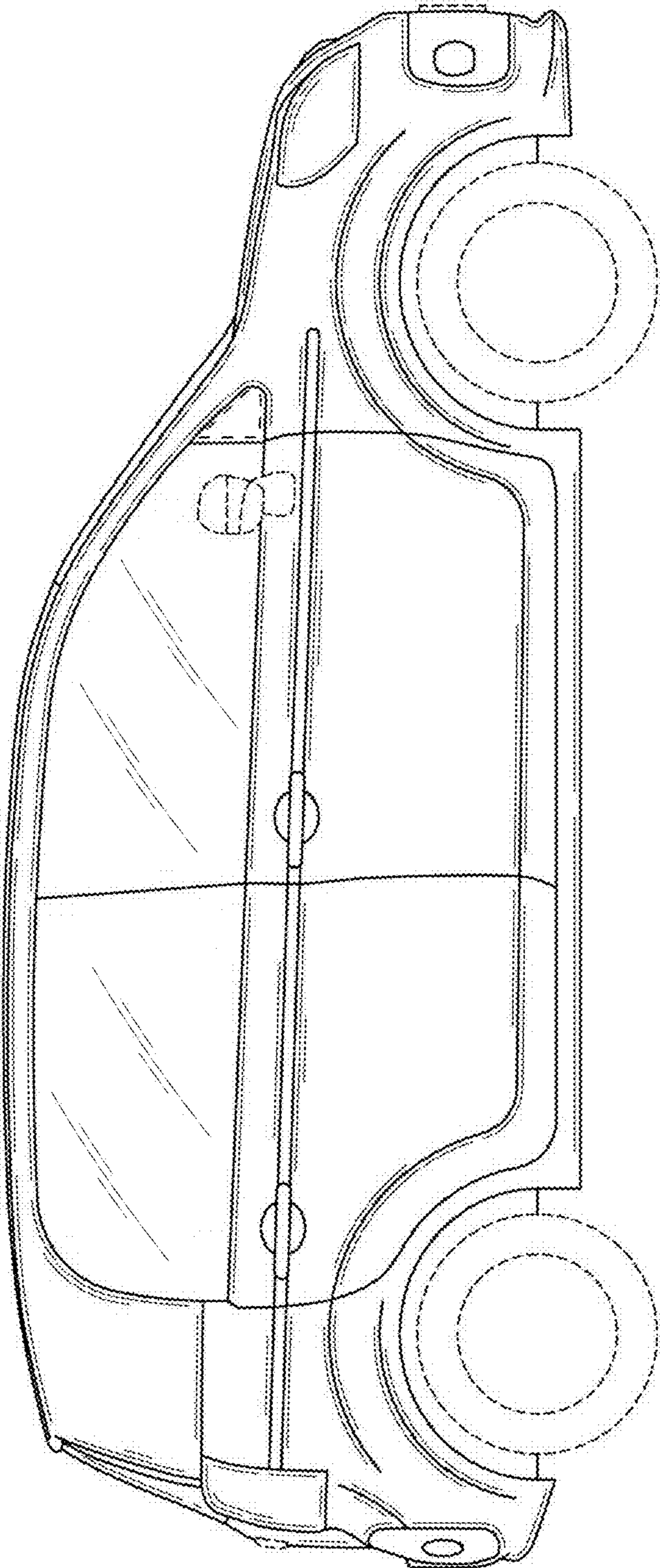


**FIG. 6**

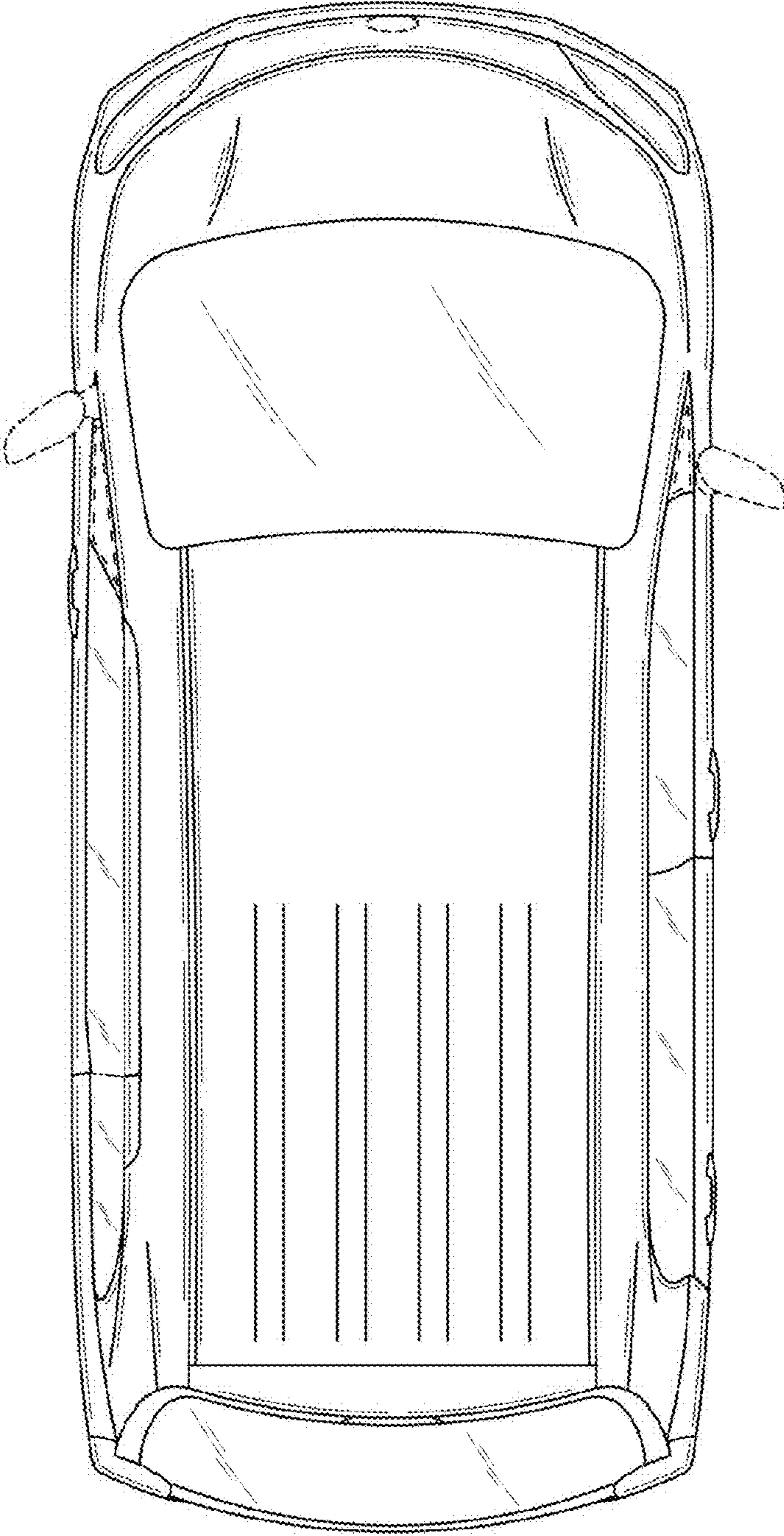


**FIG. 7**





**FIG. 8**



**FIG. 9**