



US00D692346S

(12) **United States Design Patent**  
**Matsueda**

(10) **Patent No.:** **US D692,346 S**  
(45) **Date of Patent:** **\*\* Oct. 29, 2013**

(54) **AUTOMOBILE AND/OR TOY REPLICA THEREOF**

(75) Inventor: **Jirou Matsueda**, Ikeda (JP)  
(73) Assignee: **Daihatsu Kogyo Kabushiki Kaisha**, Ikeda-shi, Osaku-fu (JP)  
(\*\*) Term: **14 Years**

(21) Appl. No.: **29/420,027**  
(22) Filed: **May 3, 2012**

(30) **Foreign Application Priority Data**

Dec. 9, 2011 (JP) ..... 2011-028664

(51) **LOC (9) Cl.** ..... **12-08**  
(52) **U.S. Cl.**  
USPC ..... **D12/91**  
(58) **Field of Classification Search**  
USPC ..... D12/86, 88, 90, 91, 92; D21/424, 433,  
D21/434; 296/181.1, 181.5  
See application file for complete search history.

(56) **References Cited**

**U.S. PATENT DOCUMENTS**

D490,019 S *	5/2004	Sakae	.....	D12/91
D504,087 S *	4/2005	Hakamata et al.	.....	D12/91
D504,639 S *	5/2005	Oishi et al.	.....	D12/91
D532,337 S *	11/2006	Hakamata et al.	.....	D12/91
D540,214 S *	4/2007	Nakai et al.	.....	D12/91
D551,119 S *	9/2007	Okamoto	.....	D12/91
D563,275 S *	3/2008	Kim et al.	.....	D12/91
D567,713 S *	4/2008	Ohishi et al.	.....	D12/91
D568,210 S *	5/2008	Ohishi et al.	.....	D12/91
D572,628 S *	7/2008	Nakajima	.....	D12/90
D616,333 S	5/2010	Cartabiano et al.	.....	
7,988,453 B2 *	8/2011	Loo et al.	.....	439/34
8,011,718 B2 *	9/2011	Tsuyuzaki et al.	.....	296/203.04
D652,351 S	1/2012	Ikuma	.....	
D657,716 S *	4/2012	Cartabiano et al.	.....	D12/91

**OTHER PUBLICATIONS**

2011 Toyota Matrix. Vehicle Brochure. Mar. 16, 2011 [online], [retrieved on Feb. 25, 2013]. Retrieved from the Internet <URL: [http://www.auto-brochures.com/makes/Toyota/Matrix/Toyota\\_US%20Matrix\\_2011.pdf](http://www.auto-brochures.com/makes/Toyota/Matrix/Toyota_US%20Matrix_2011.pdf)>.\*  
2012 Nissan Versa Hatchback. Vehicle Brochure. Jun. 13, 2011 [online], [retrieved on Feb. 25, 2013]. Retrieved from the Internet <URL: [http://www.auto-brochures.com/makes/Nissan/Versa/Nissan\\_US%20Versa\\_Hatchback\\_2012.pdf](http://www.auto-brochures.com/makes/Nissan/Versa/Nissan_US%20Versa_Hatchback_2012.pdf)>.\*  
Jirou Matsueda, U.S. Appl. No. 29/420,040, filed May 3, 2012, Trunk Lid for an Automobile.  
Jirou Matsueda et al., U.S. Appl. No. 29/420,035, filed May 3, 2012, Front bumper for an Automobile.  
Jirou Matsueda, U.S. Appl. No. 29/420,038, filed May 3, 2012, Rear Door for an Automobile.

(Continued)

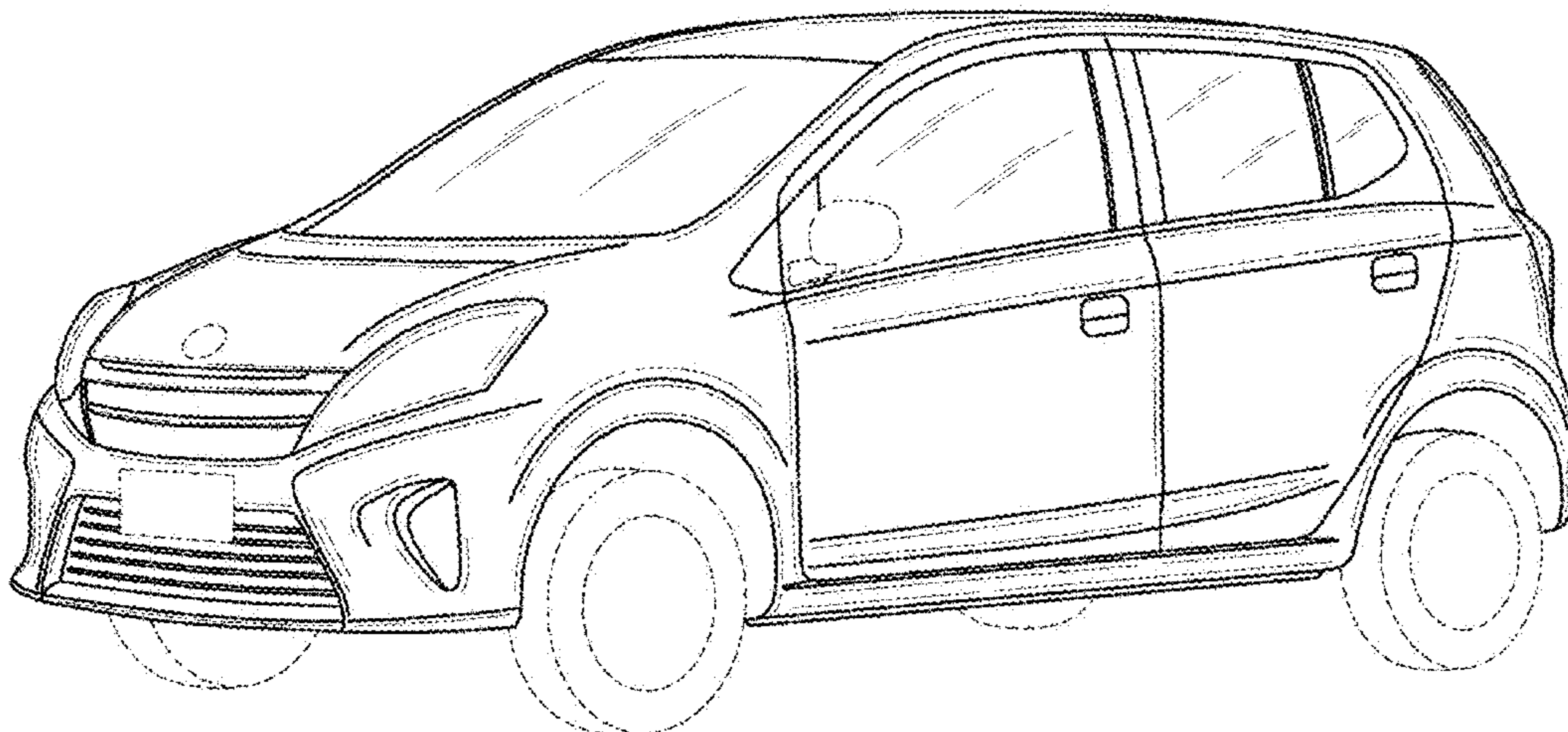
*Primary Examiner* — Philip S Hyder  
*Assistant Examiner* — Darlington Ly  
(74) *Attorney, Agent, or Firm* — Finnegan, Henderson, Farabow, Garrett & Dunner, LLP

(57) **CLAIM**  
The ornamental design for an automobile and/or toy replica thereof, as shown and described.

**DESCRIPTION**

FIG. 1 is a front left perspective view of an automobile and/or toy replica thereof of my new design;  
FIG. 2 is a rear left perspective view thereof;  
FIG. 3 is a front view thereof;  
FIG. 4 is a rear view thereof;  
FIG. 5 is a left side elevation view thereof, the right side elevation view being a mirror image thereof; and,  
FIG. 6 is a top plan view thereof.  
The broken lines depict environment and the elements depicted in these broken lines form no part of the claimed design. The bottom view forms no part of the claimed design.

**1 Claim, 5 Drawing Sheets**



(56)

**References Cited**

OTHER PUBLICATIONS

Jirou Matsueda et al., U.S. Appl. No. 29/420,032, filed May 3, 2012, Front Portion of an Automobile.

Jirou Matsueda, U.S. Appl. No. 29/420,036, filed May 3, 2012, Front Door for an Automobile.

Hirotsada Kobayashi et al., U.S. Appl. No. 29/388,637, filed Mar. 31, 2011, Automobile and/or Toy Replica Thereof.

Pansoo Kwon et al., U.S. Appl. No. 29/425,109, filed Jun. 20, 2012, Automobile and/or Toy Replica Thereof.

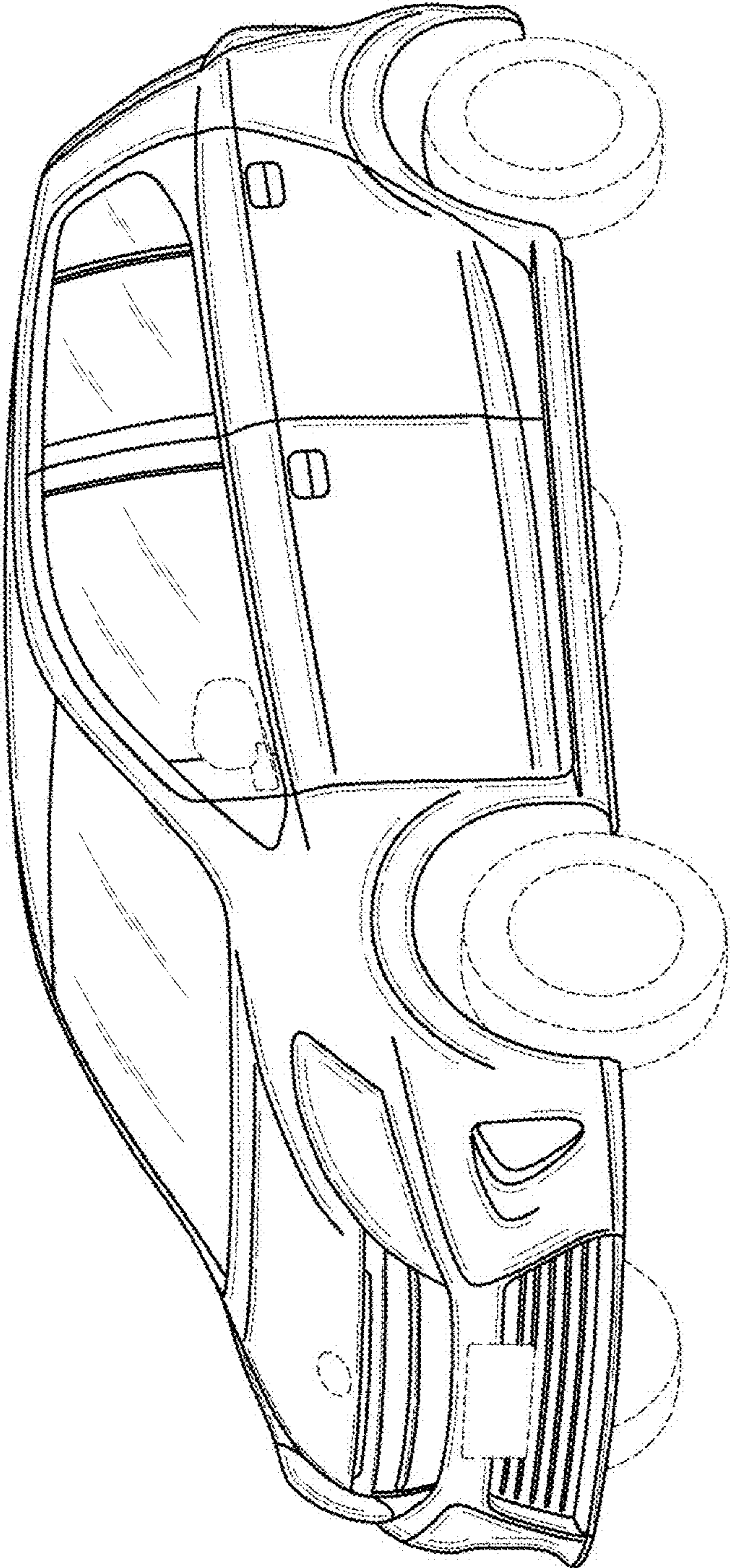
Kia Venga; <http://www.lincah.com/wp-content/uploads/2009/08/2010-Kia-Venga-Rear-Side-view-58> (2010).

Kia Venga; <http://www.lincah.com/wp-content/uploads/2009/08/2010-Kia-Venga-Front-Side-view-58> (2010).

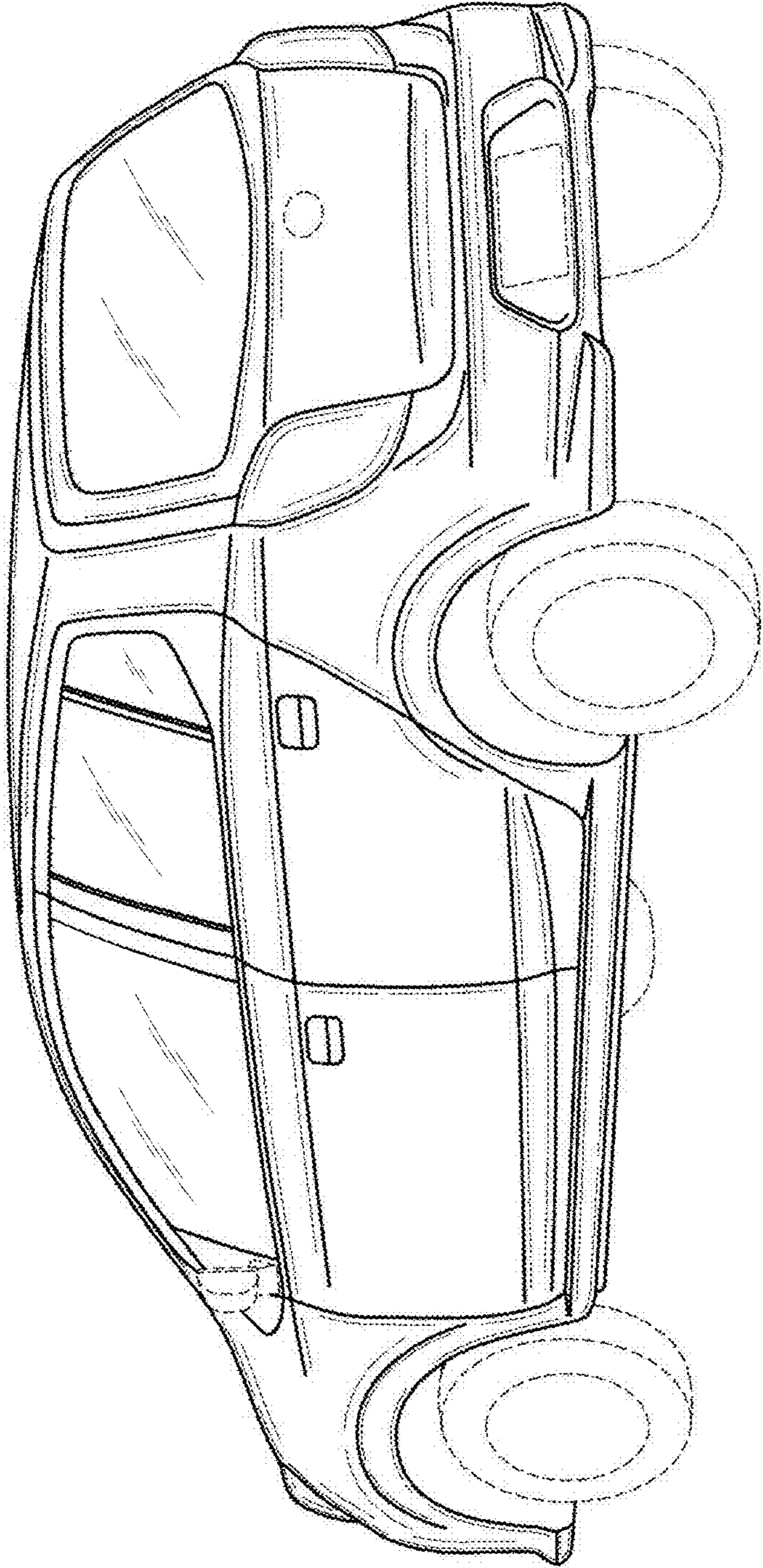
Fiat Punto; <http://www.lincah.com/wp-content/uploads/2009/08/2010-Fiat-Punto-Evo-Front-Side-View> (2010).

Fiat Punto; [http://www.lincah.com/wp-content/uploads/2009/08/2010Fiat-punto-evo--1\\_800x0w.jpg](http://www.lincah.com/wp-content/uploads/2009/08/2010Fiat-punto-evo--1_800x0w.jpg) (2010).

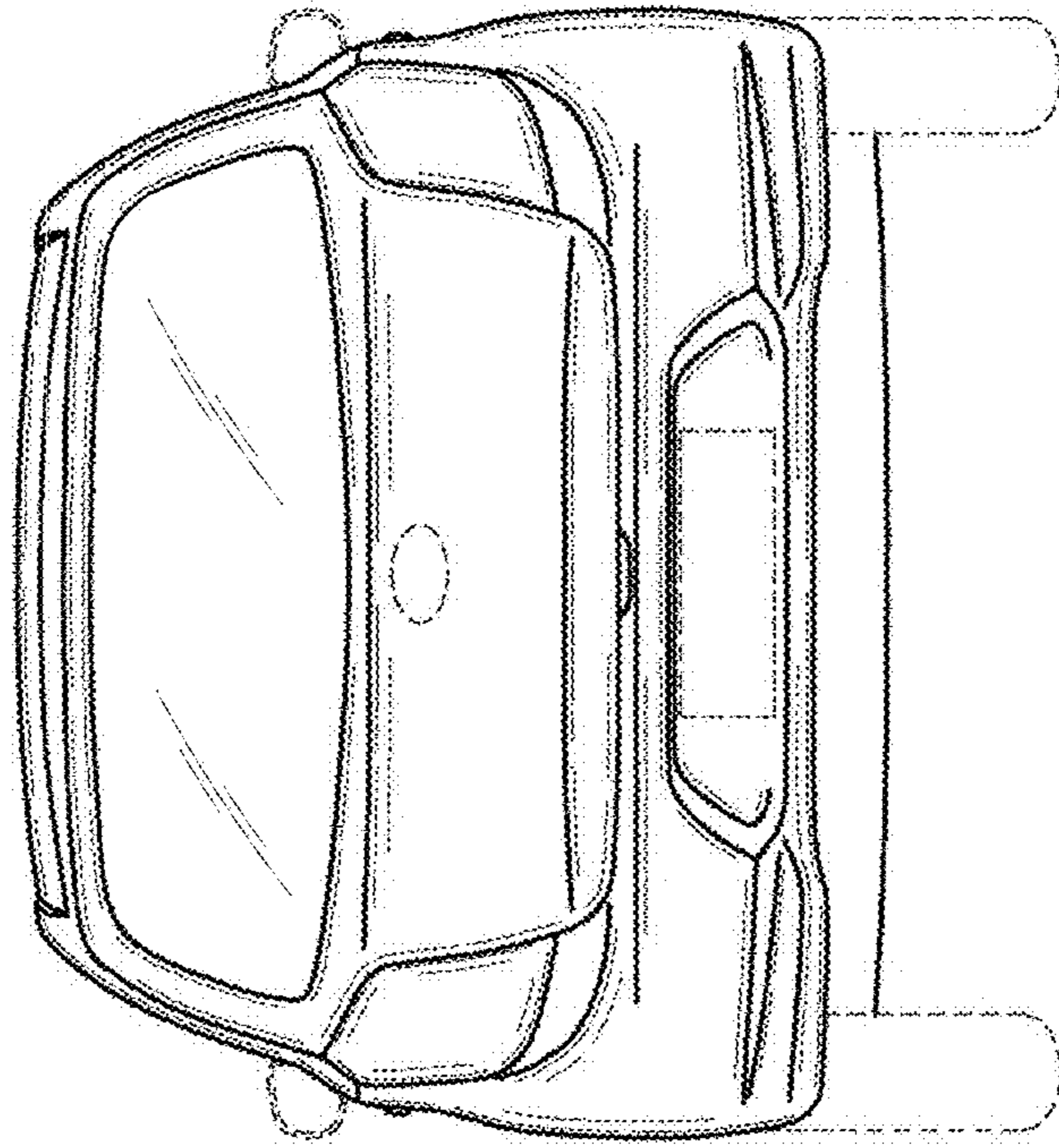
\* cited by examiner



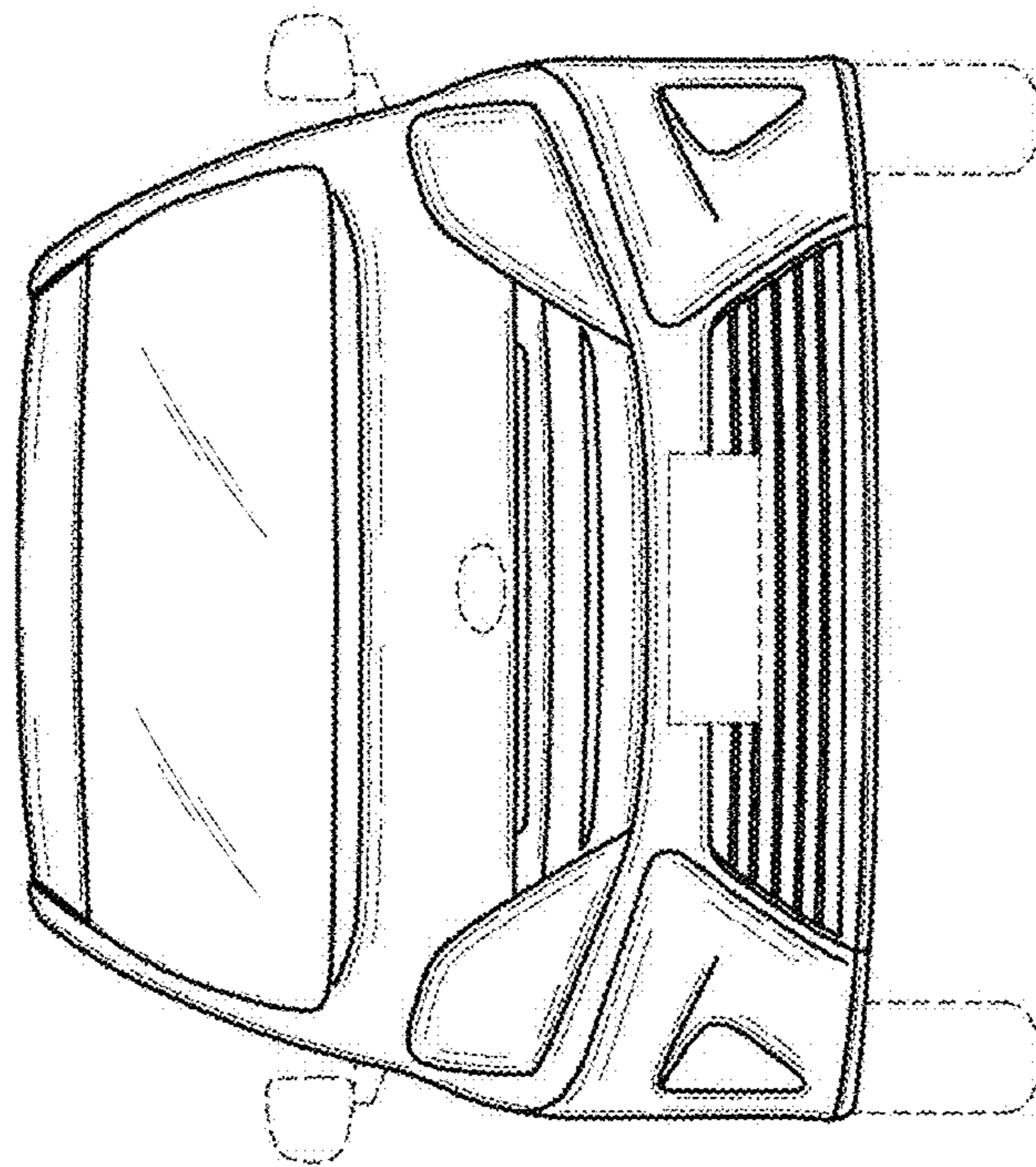
**FIG. 1**



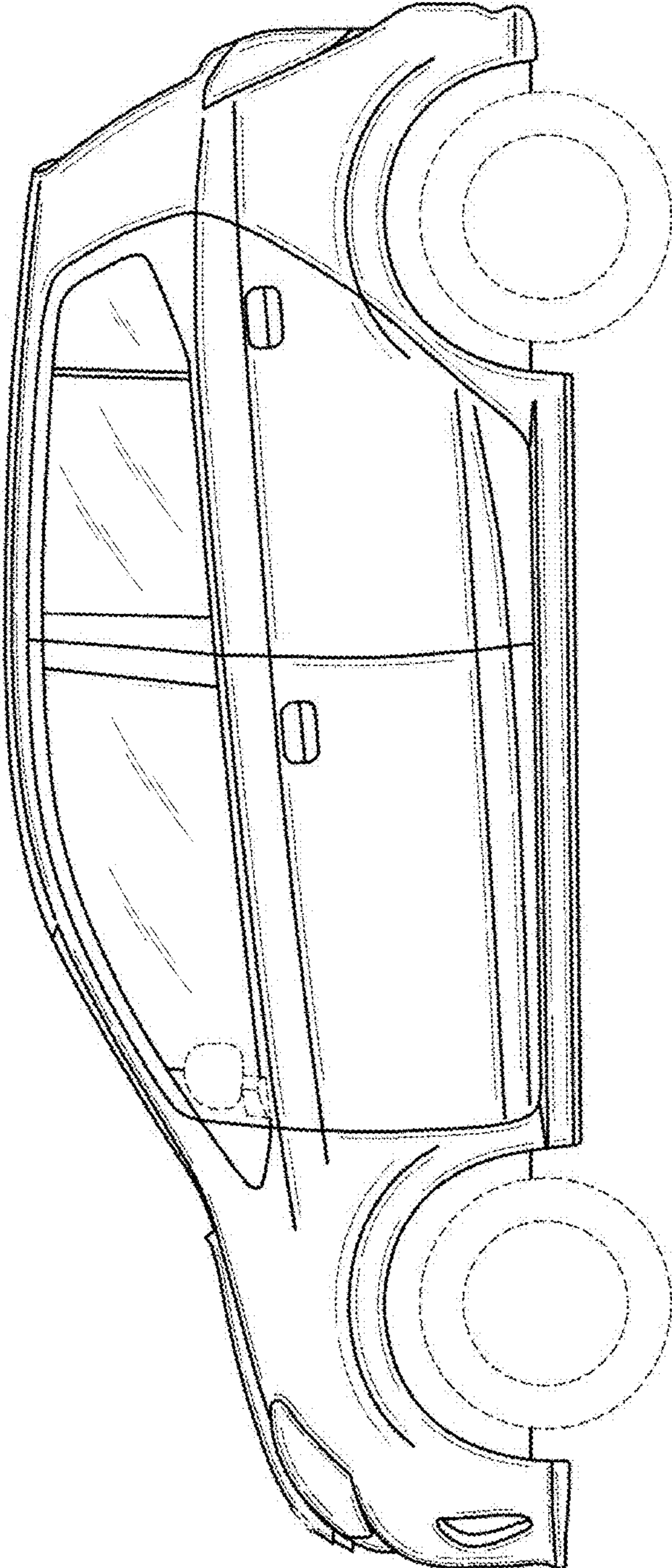
**FIG. 2**



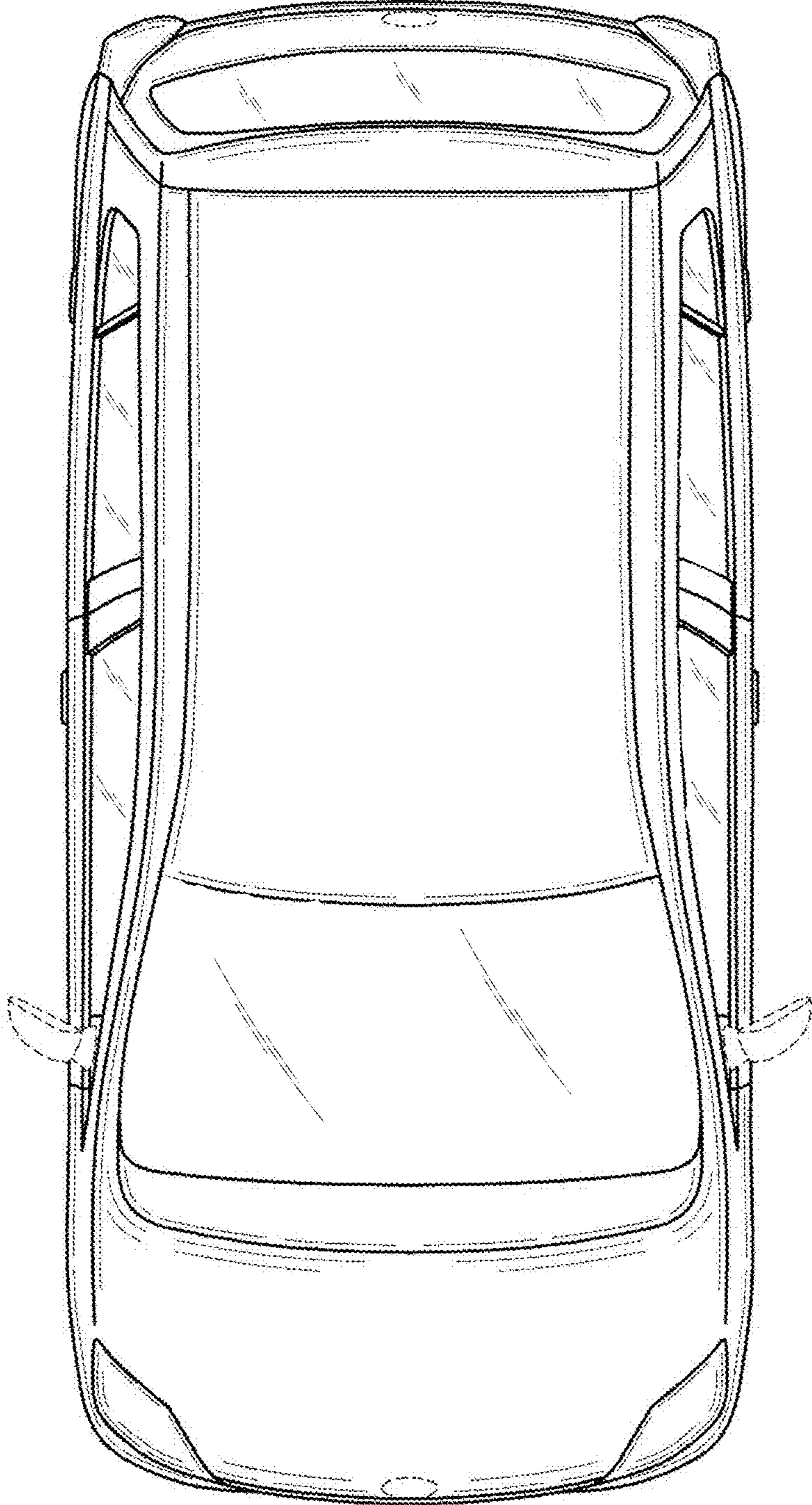
**FIG. 3**



**FIG. 4**



**FIG. 5**



**FIG. 6**

UNITED STATES PATENT AND TRADEMARK OFFICE  
**CERTIFICATE OF CORRECTION**

PATENT NO. : D692,346 S  
APPLICATION NO. : 29/420027  
DATED : October 29, 2013  
INVENTOR(S) : Jirou Matsueda

Page 1 of 1

It is certified that error appears in the above-identified patent and that said Letters Patent is hereby corrected as shown below:

Title Page please correct the address of the Assignee, as follows:

(73) Assignee: **Daihatsu Kogyo Kabushiki Kaisha,**  
Ikeda-shi, ~~Osaka-fu~~ Osaka-fu (JP)

Signed and Sealed this  
Fifteenth Day of April, 2014



Michelle K. Lee  
*Deputy Director of the United States Patent and Trademark Office*