

US00D692345S

(12) **United States Design Patent**  
**Murray**

(10) **Patent No.:** **US D692,345 S**  
(45) **Date of Patent:** **\*\* Oct. 29, 2013**

(54) **MOTOR VEHICLE AND/OR TOY REPLICA THEREOF**

(75) Inventor: **Ian Gordon Murray**, Shalford (GB)

(73) Assignee: **DC Comics**, New York, NY (US)

(\*\*) Term: **14 Years**

(21) Appl. No.: **29/406,807**

(22) Filed: **Nov. 18, 2011**

(30) **Foreign Application Priority Data**

Jun. 10, 2011 (GB) ..... 4019793  
Jun. 10, 2011 (GB) ..... 4019794

(51) **LOC (9) Cl.** ..... **12-08**

(52) **U.S. Cl.**  
USPC ..... **D12/86; D12/88**

(58) **Field of Classification Search**  
USPC ..... D12/86, 88, 90, 91, 92; D21/424, 433,  
D21/434; 296/181.1, 181.5  
See application file for complete search history.

(56) **References Cited**

**U.S. PATENT DOCUMENTS**

D185,843 S *	8/1959	James	.....	D12/92
D205,998 S	10/1966	Barris		
D311,882 S *	11/1990	Furst	.....	D12/92
5,056,860 A *	10/1991	Cornacchia et al.	.....	296/180.5
D375,704 S *	11/1996	Flattery et al.	.....	D12/86
D389,111 S	1/1998	Flattery et al.		
D396,662 S *	8/1998	Belker et al.	.....	D12/86
D510,055 S *	9/2005	Yi	.....	D12/88

(Continued)

**OTHER PUBLICATIONS**

TheLiverpoolecho. Introducing the Batman Live Batmobile . YouTube. Jun. 7, 2011 [online], [retrieved on Feb. 1, 2013]. Retrieved from the Internet <URL: <http://www.youtube.com/watch?v=-Ik-7amiYnw>>.\*

(Continued)

*Primary Examiner* — Philip S Hyder

*Assistant Examiner* — Darlington Ly

(74) *Attorney, Agent, or Firm* — Banner & Witcoff, Ltd.

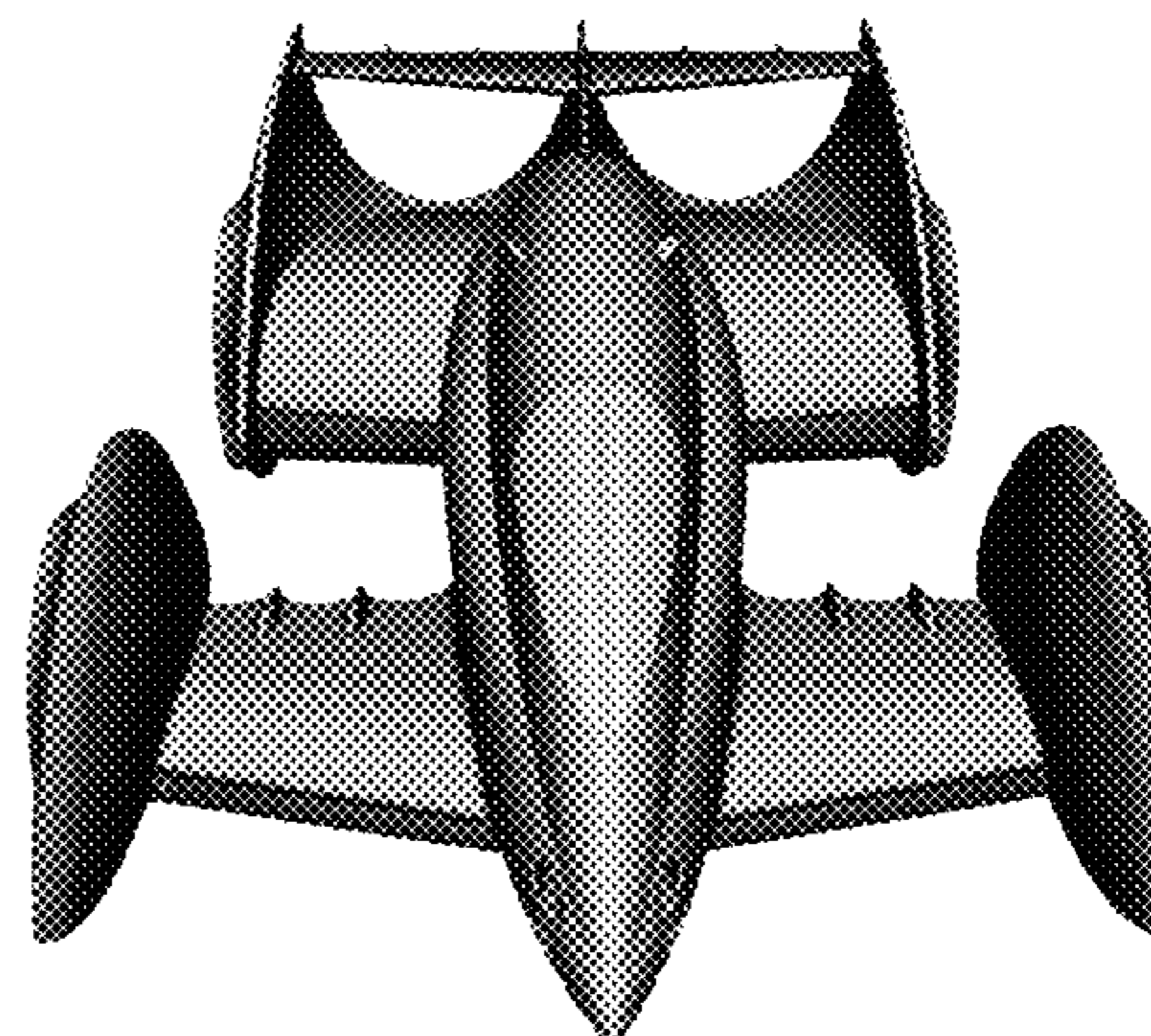
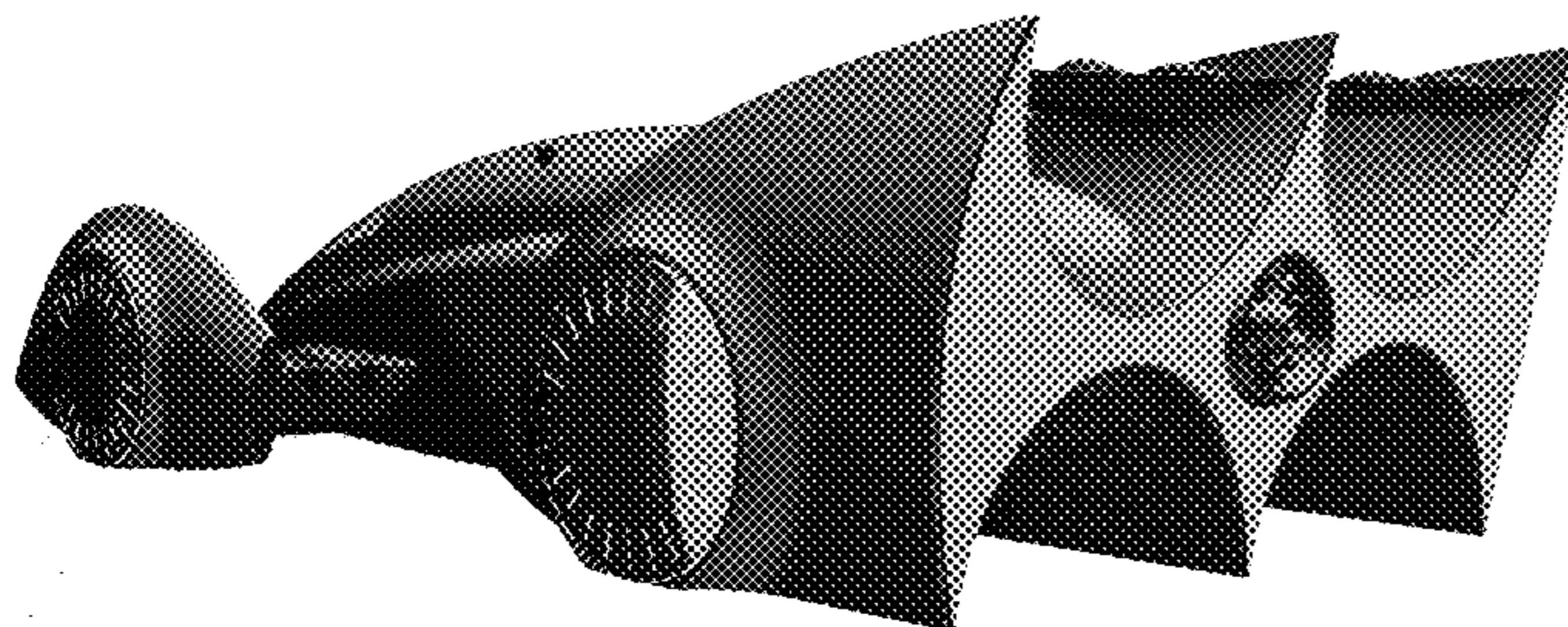
(57) **CLAIM**

The ornamental design for a motor vehicle and/or toy replica thereof, as shown and described.

**DESCRIPTION**

FIG. 1 is a rear perspective photographic view of a motor vehicle and/or toy replica showing my new design;  
 FIG. 2 is a right side perspective photographic view with the unshown left side perspective photographic view being a mirror image thereof;  
 FIG. 3 is a top/front perspective photographic view thereof;  
 FIG. 4 is a front perspective photographic view thereof;  
 FIG. 5 is a front/right perspective photographic view thereof;  
 FIG. 6 is a top/front/right perspective photographic view thereof;  
 FIG. 7 is a top/rear/right perspective photographic view thereof;  
 FIG. 8 is a top/front perspective photographic view thereof;  
 FIG. 9 is a top/right perspective photographic view with the unshown top/left perspective view being a mirror image thereof;  
 FIG. 10 is a rear perspective photographic view of a motor vehicle and/or toy replica showing an alternative embodiment of my new design;  
 FIG. 11 is a right side perspective photographic view with the unshown left side perspective view being a mirror image thereof;  
 FIG. 12 is a top/front perspective photographic view thereof;  
 FIG. 13 is a front photographic view thereof;  
 FIG. 14 is a front/right perspective photographic view thereof;  
 FIG. 15 is a top/front/right perspective photographic view thereof;  
 FIG. 16 is a top/rear/right perspective photographic view thereof;  
 FIG. 17 is a top/front perspective photographic view thereof;  
 and,  
 FIG. 18 is a top/right perspective photographic view with the unshown top/left perspective view being a mirror image thereof.

**1 Claim, 16 Drawing Sheets**



(56)

**References Cited**

U.S. PATENT DOCUMENTS

D547,238 S \* 7/2007 Milner ..... D12/88  
D587,629 S \* 3/2009 Crijns ..... D12/88  
D631,396 S \* 1/2011 Ganassi et al. .... D12/88  
D638,334 S 5/2011 Taniko et al.  
D644,146 S \* 8/2011 Ganassi et al. .... D12/88  
D665,703 S \* 8/2012 Bowlby ..... D12/88  
D666,128 S \* 8/2012 Vanleeuwen ..... D12/86  
8,256,826 B2 \* 9/2012 Fioravanti ..... 296/181.5

OTHER PUBLICATIONS

BIX. Gordon Murray Designs A Batmobile. 0-60mag. Jun. 6, 2011 [online], [retrieved on Feb. 1, 2013]. Retrieved from the Internet <URL: <http://www.0-60mag.com/news/2011/06/cars-gordon-murray-designs-batmobile/>>.\*  
Webpage <http://www.myautoblog.su/2010/12/15/audi-r18/>; pictures. Original date of page unknown, page printed Feb. 1, 2012, and appears to bear a Dec. 15, 2010, date.

\* cited by examiner

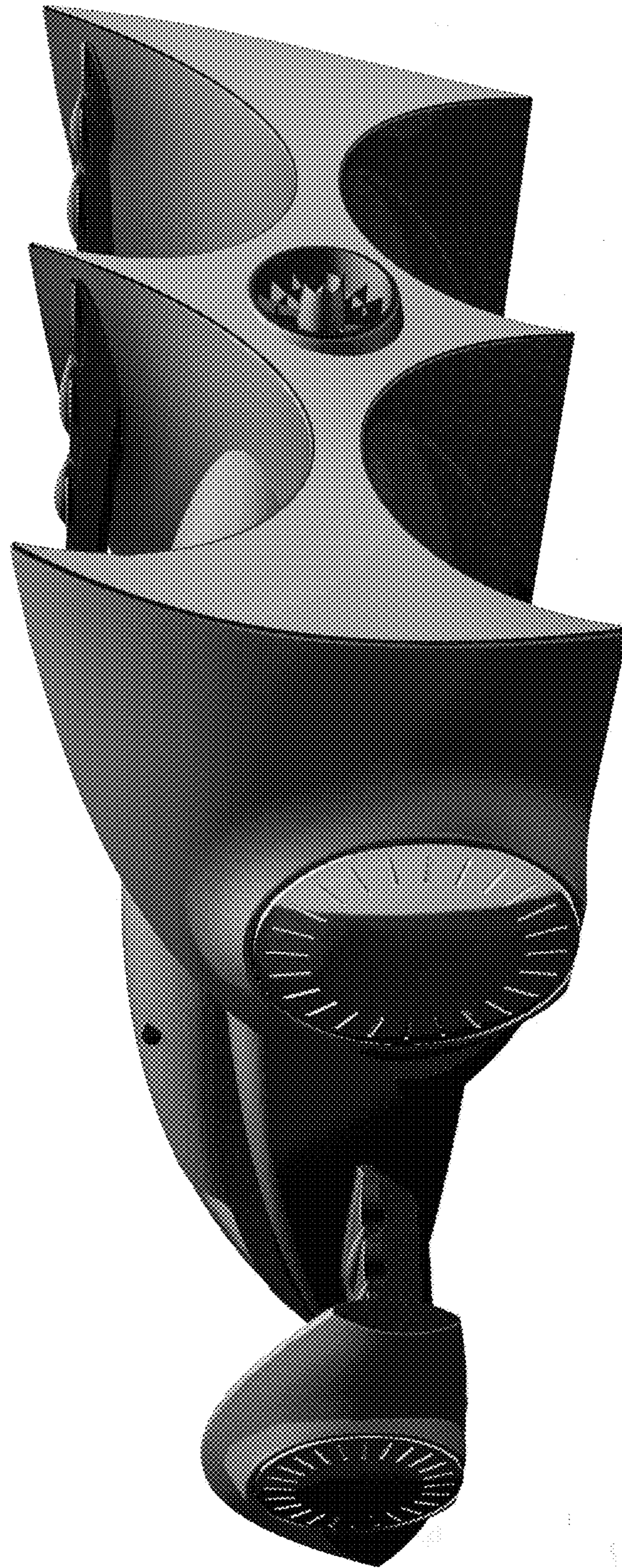


FIG. 1

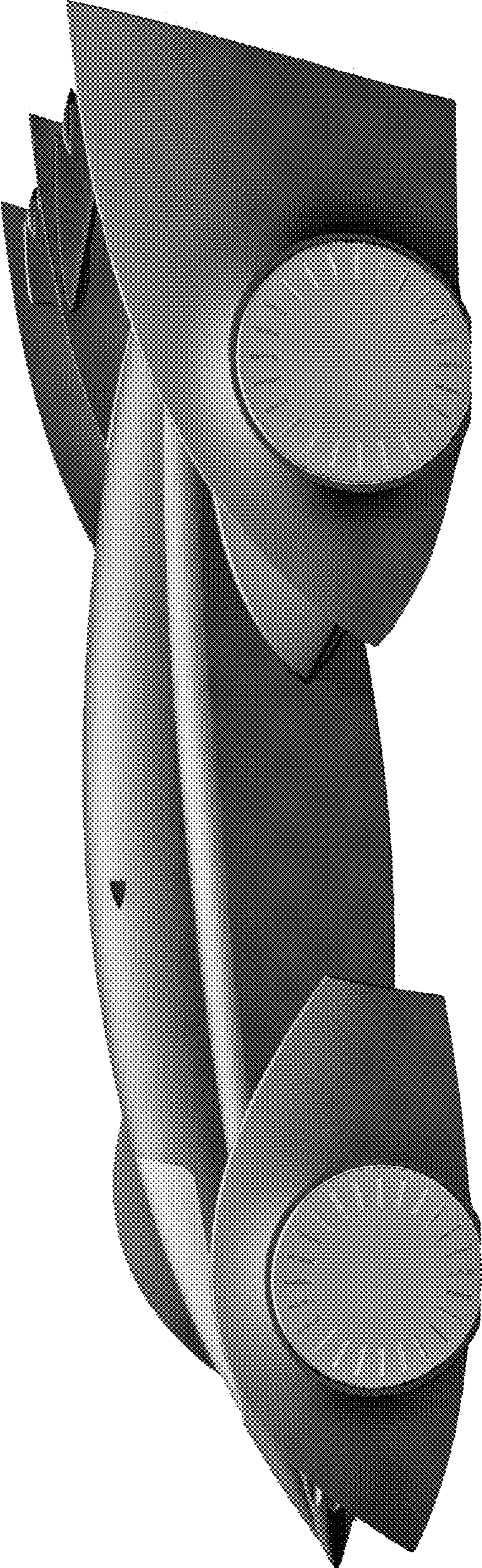


FIG. 2

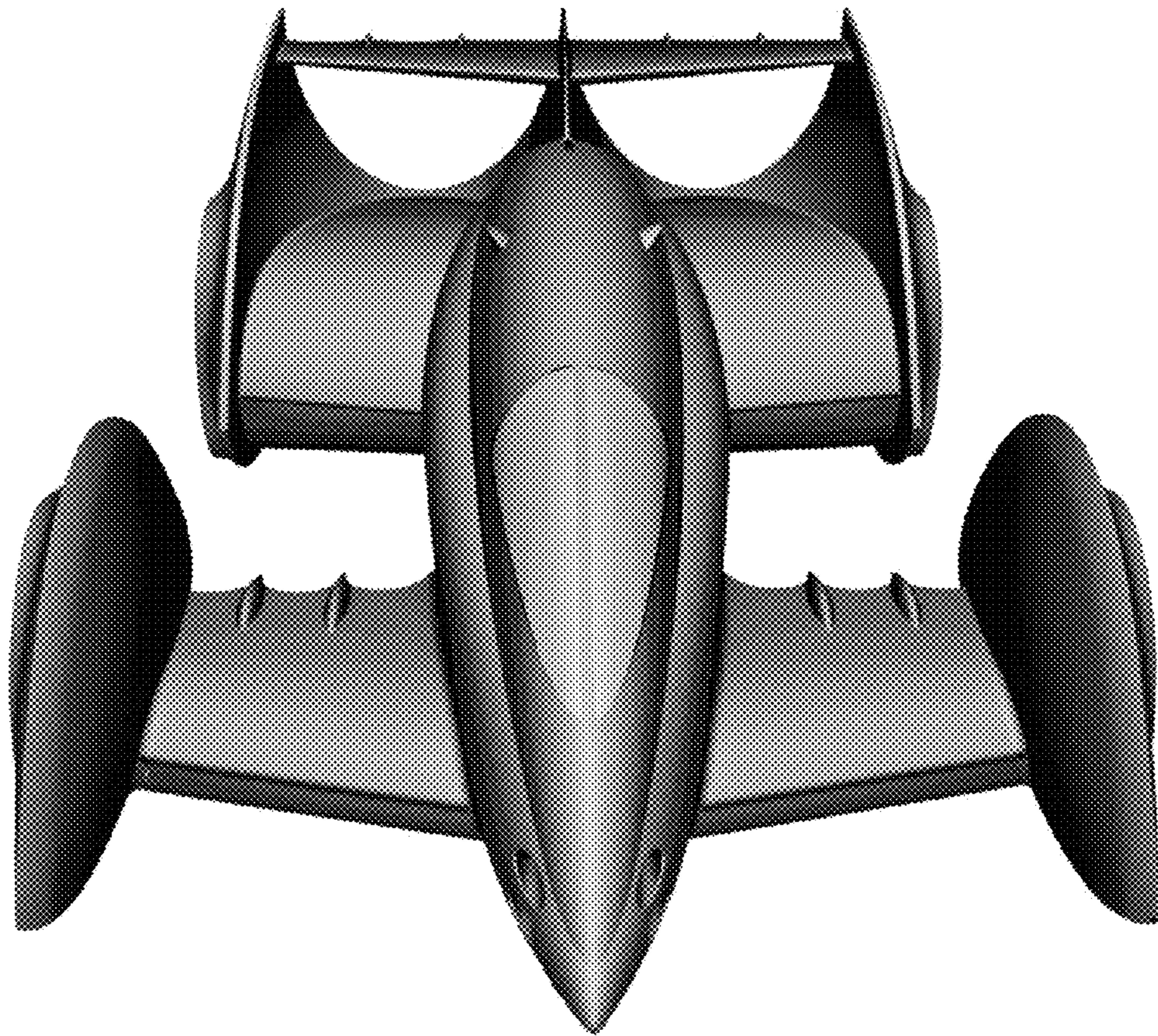


FIG. 3

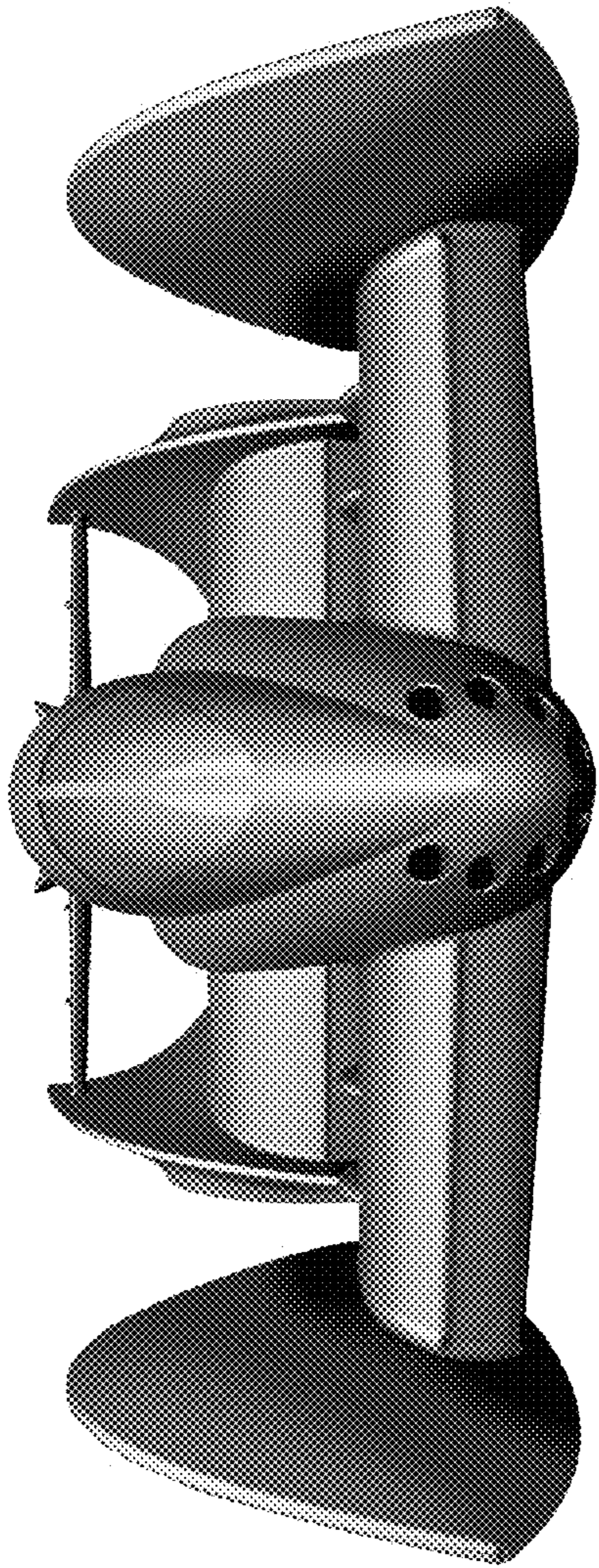


FIG. 4

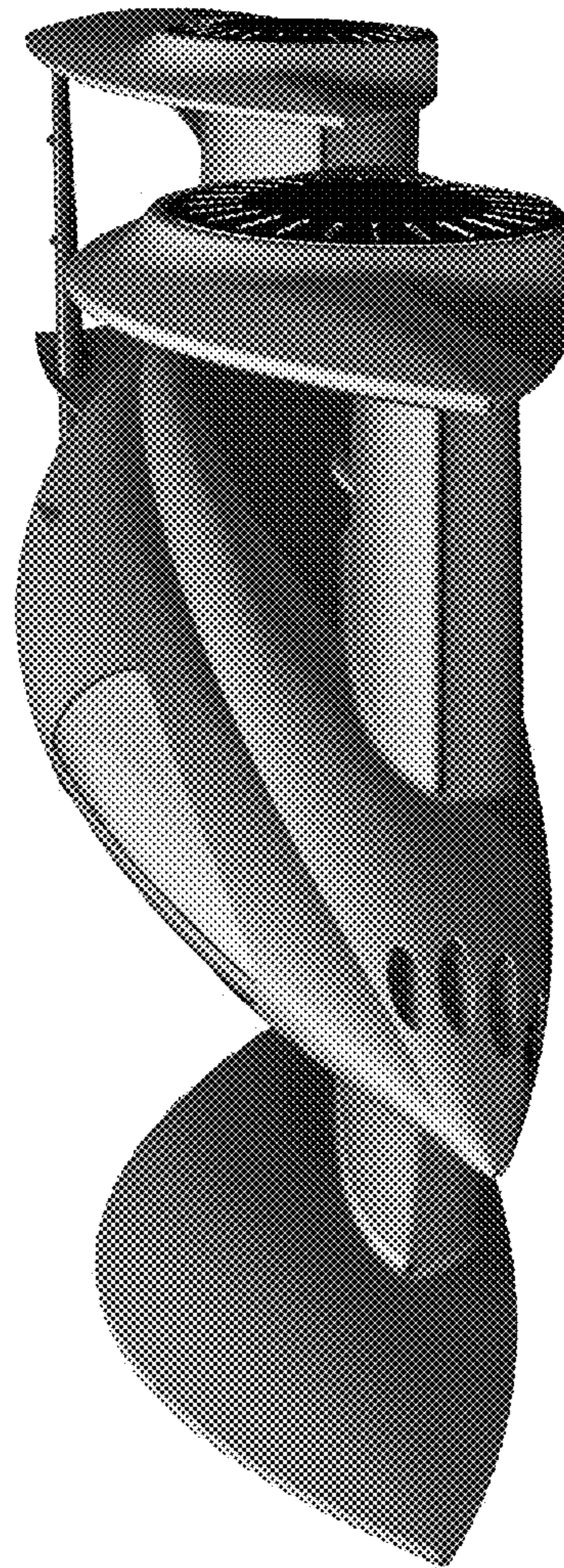


FIG. 5

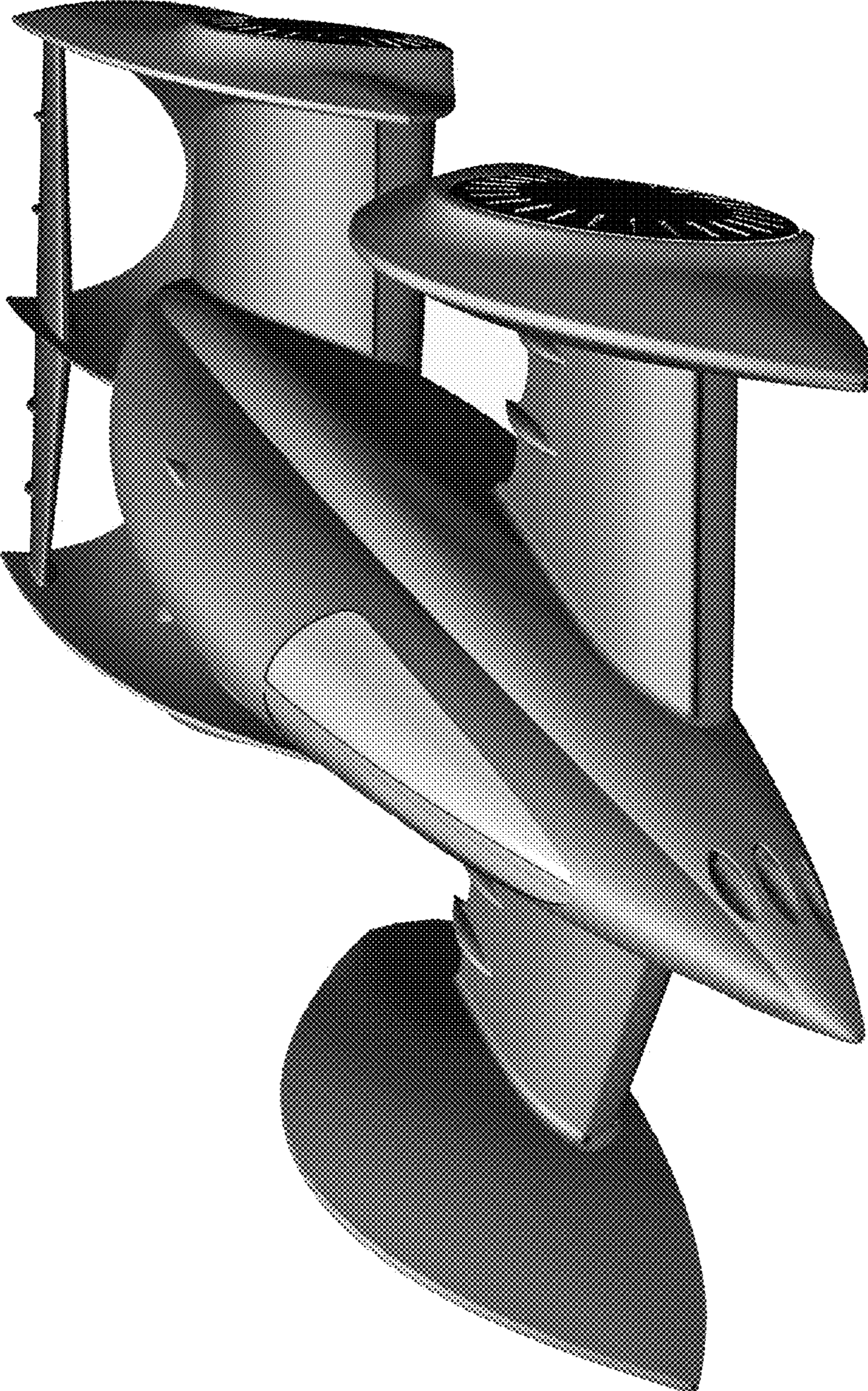


FIG. 6



FIG. 7



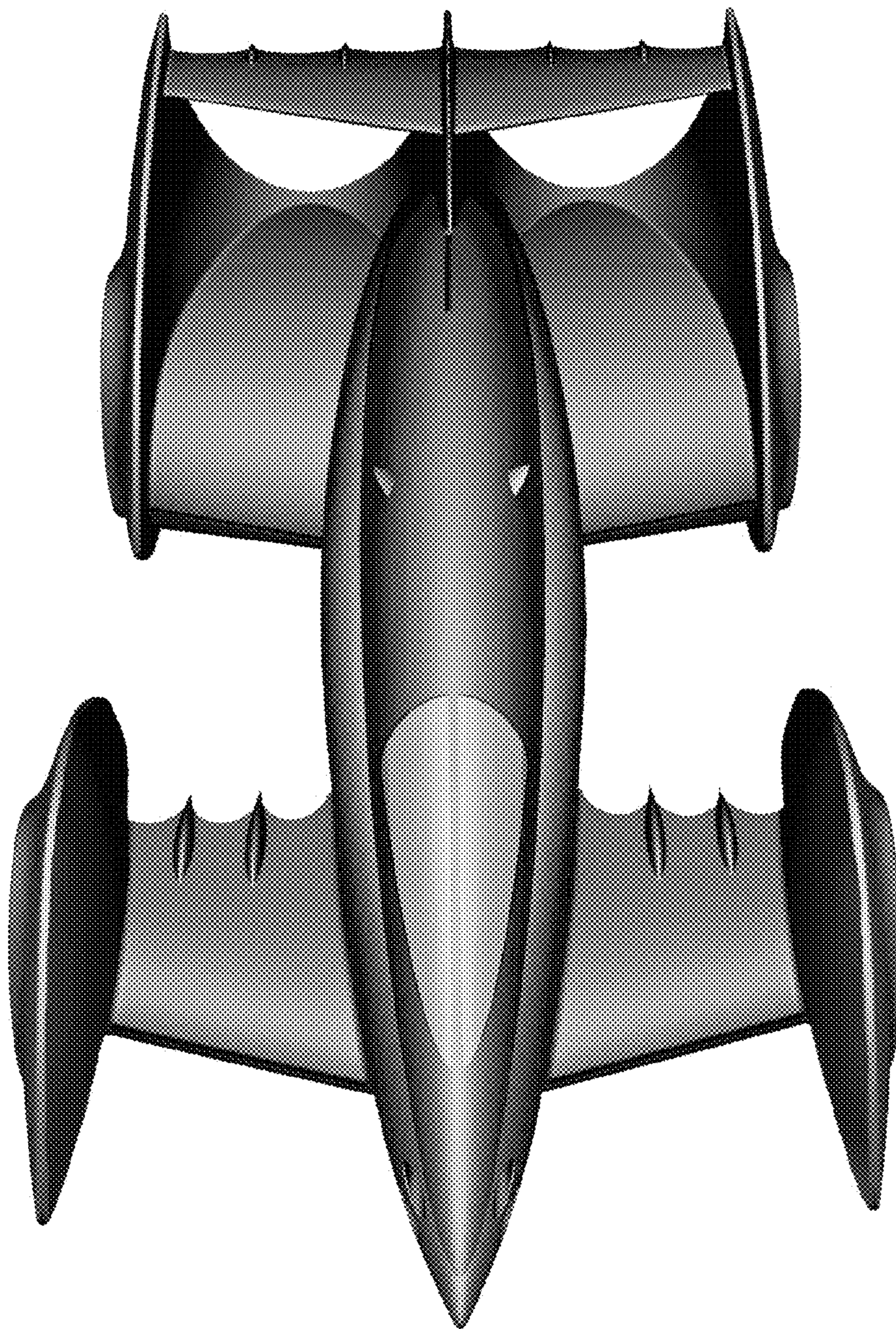


FIG. 8

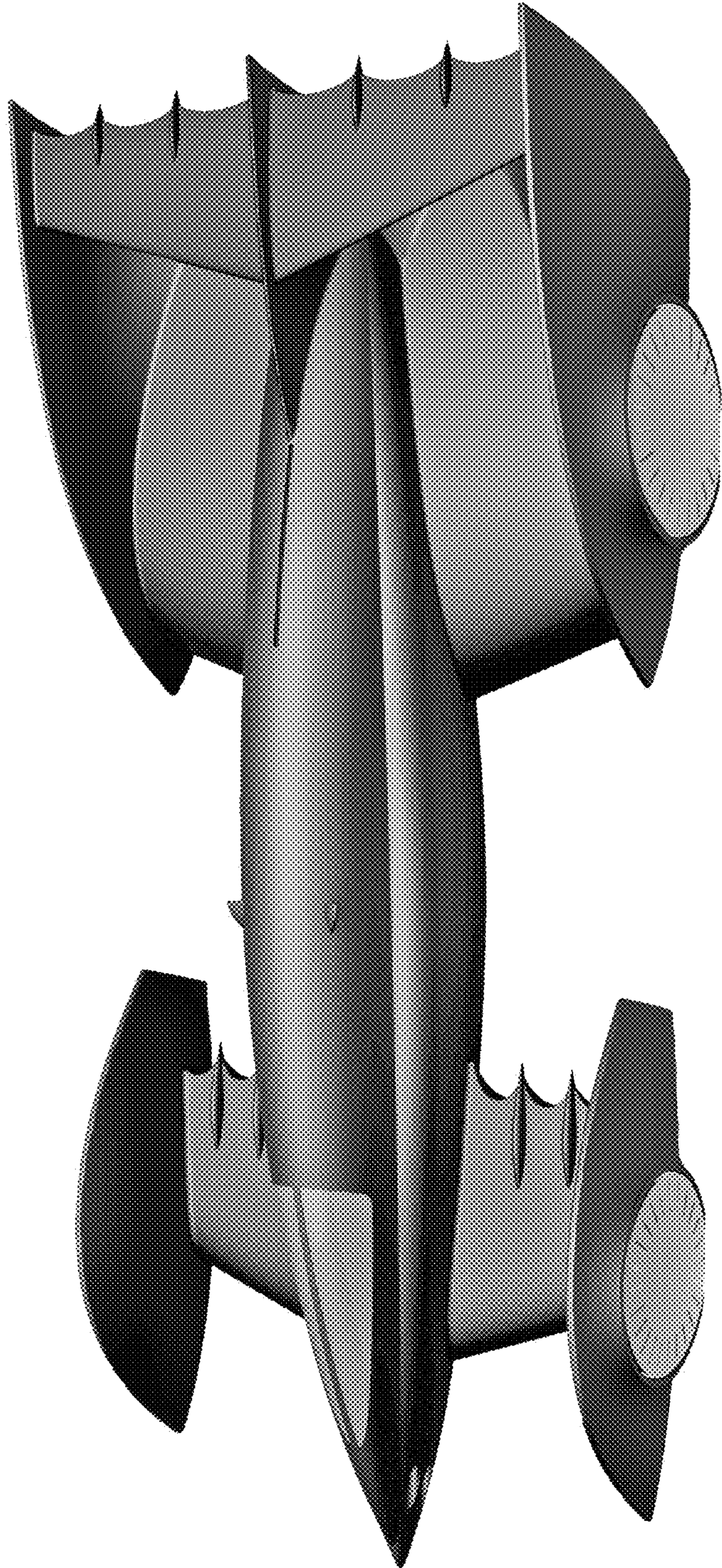


FIG. 9

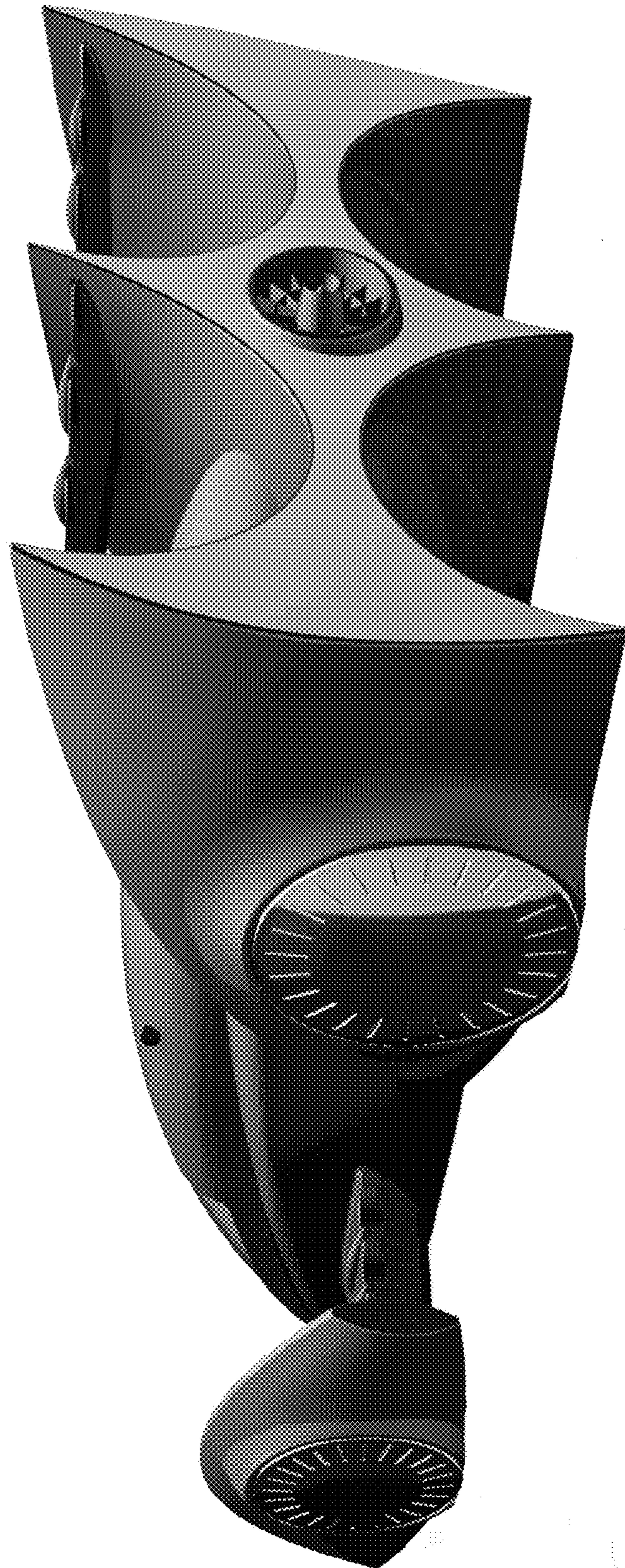


FIG. 10

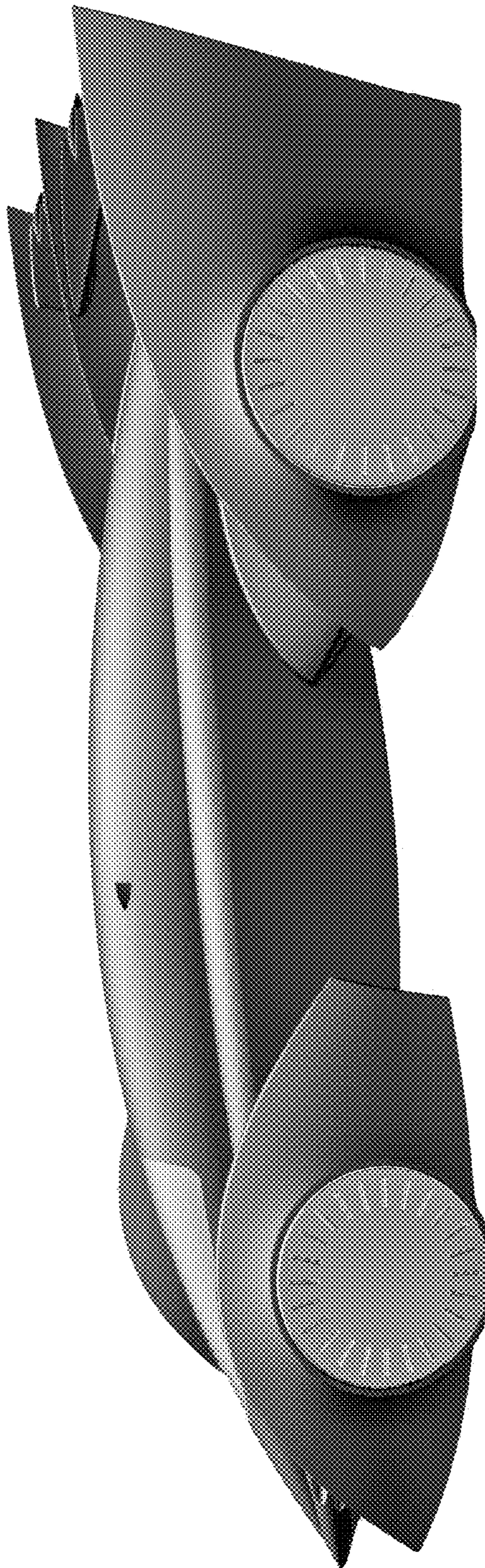


FIG. 11

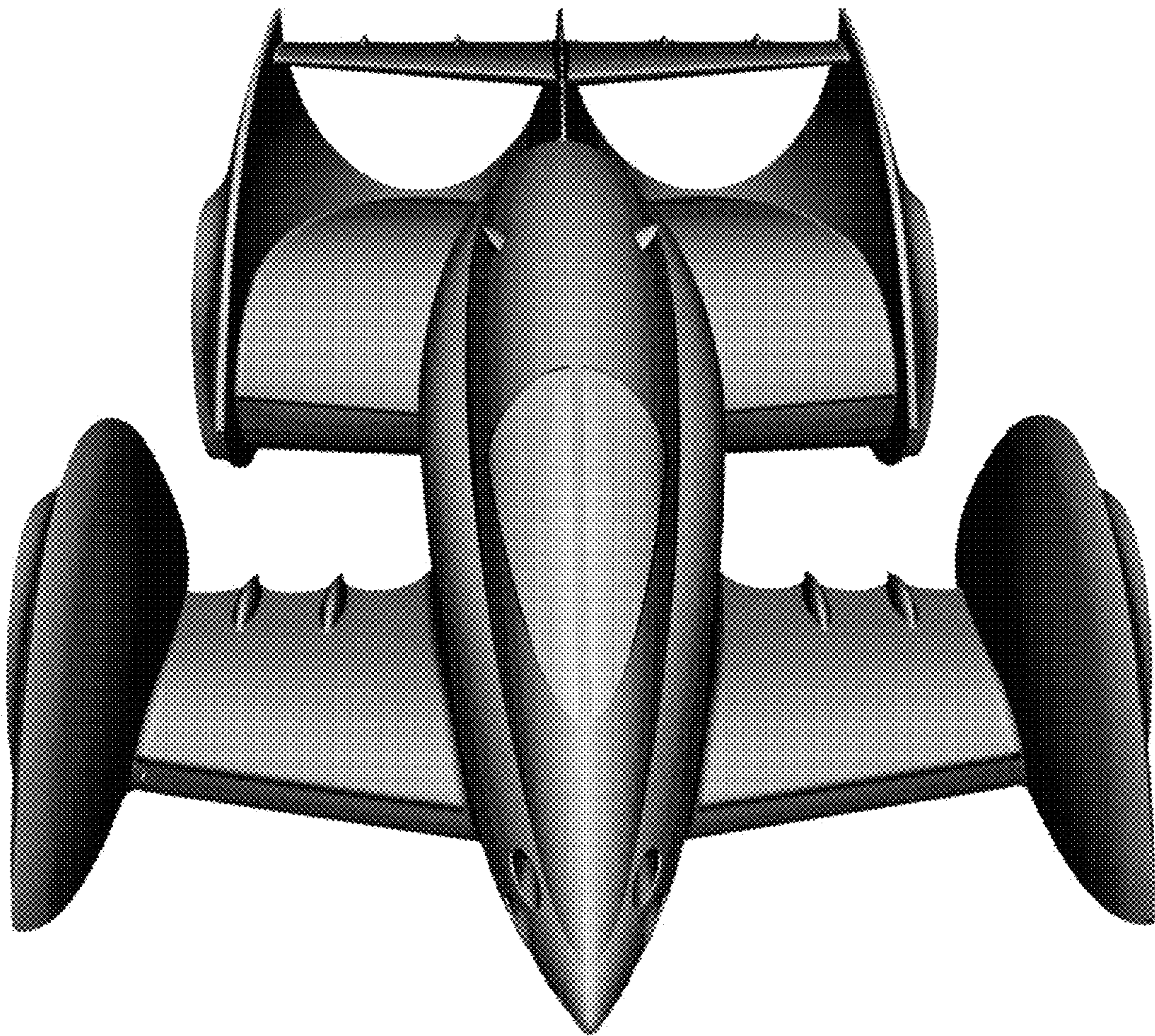


FIG. 12

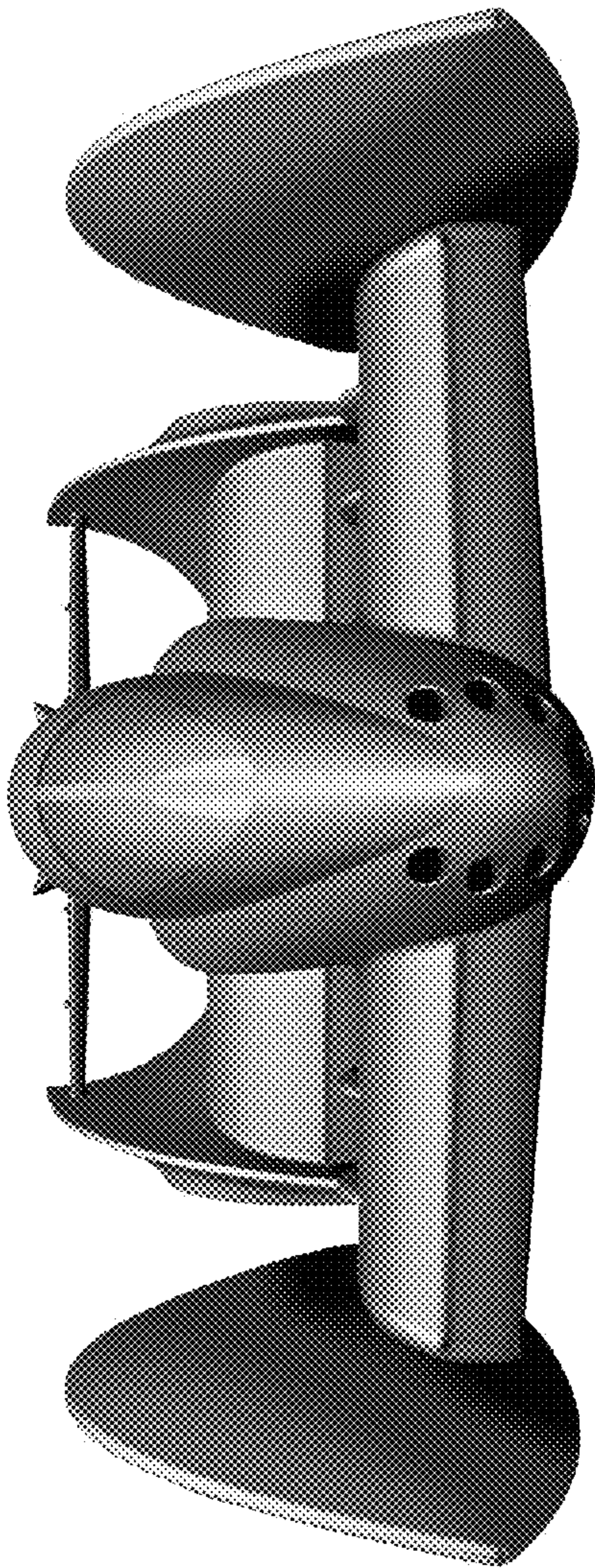


FIG. 13



FIG. 14

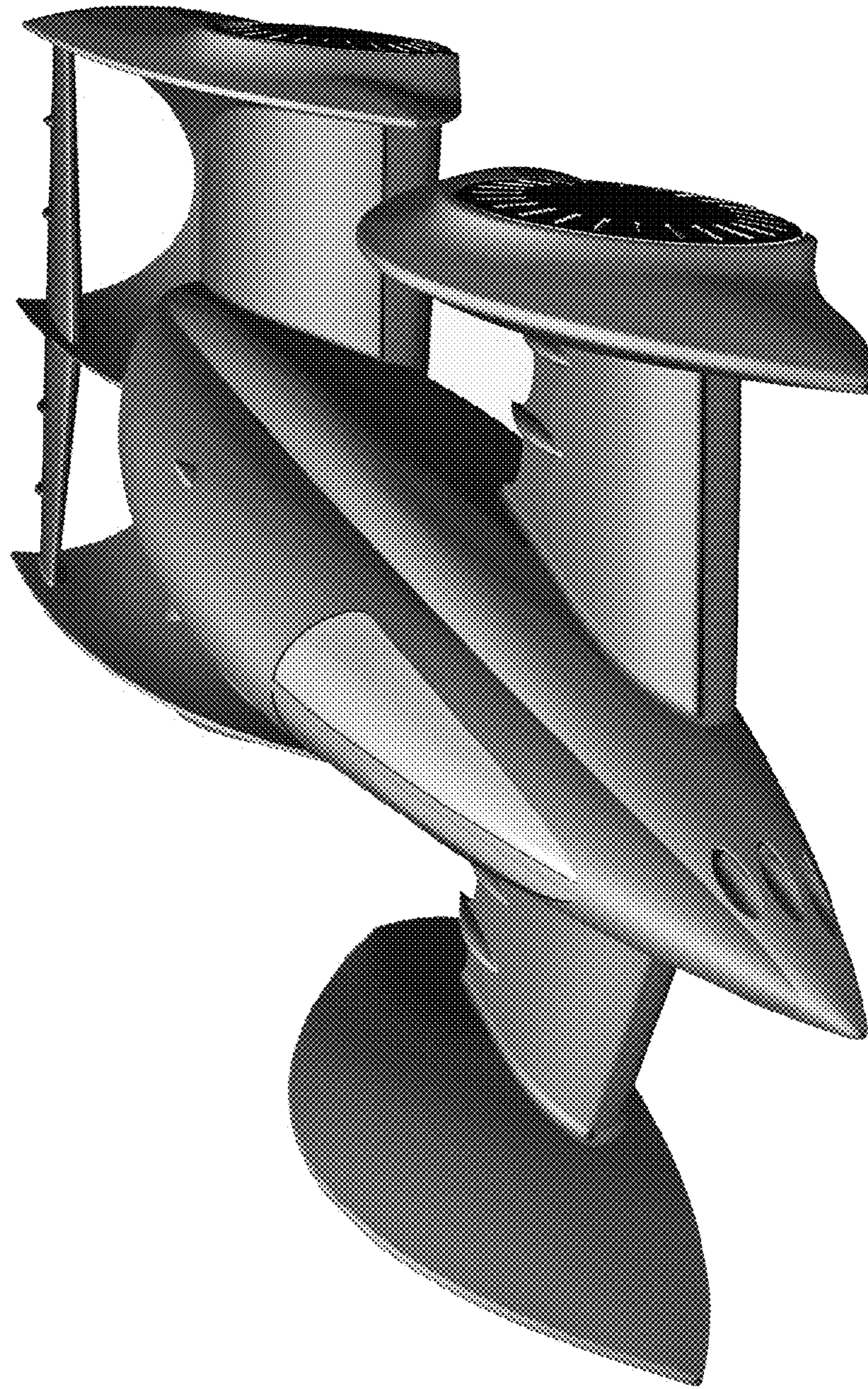


FIG. 15

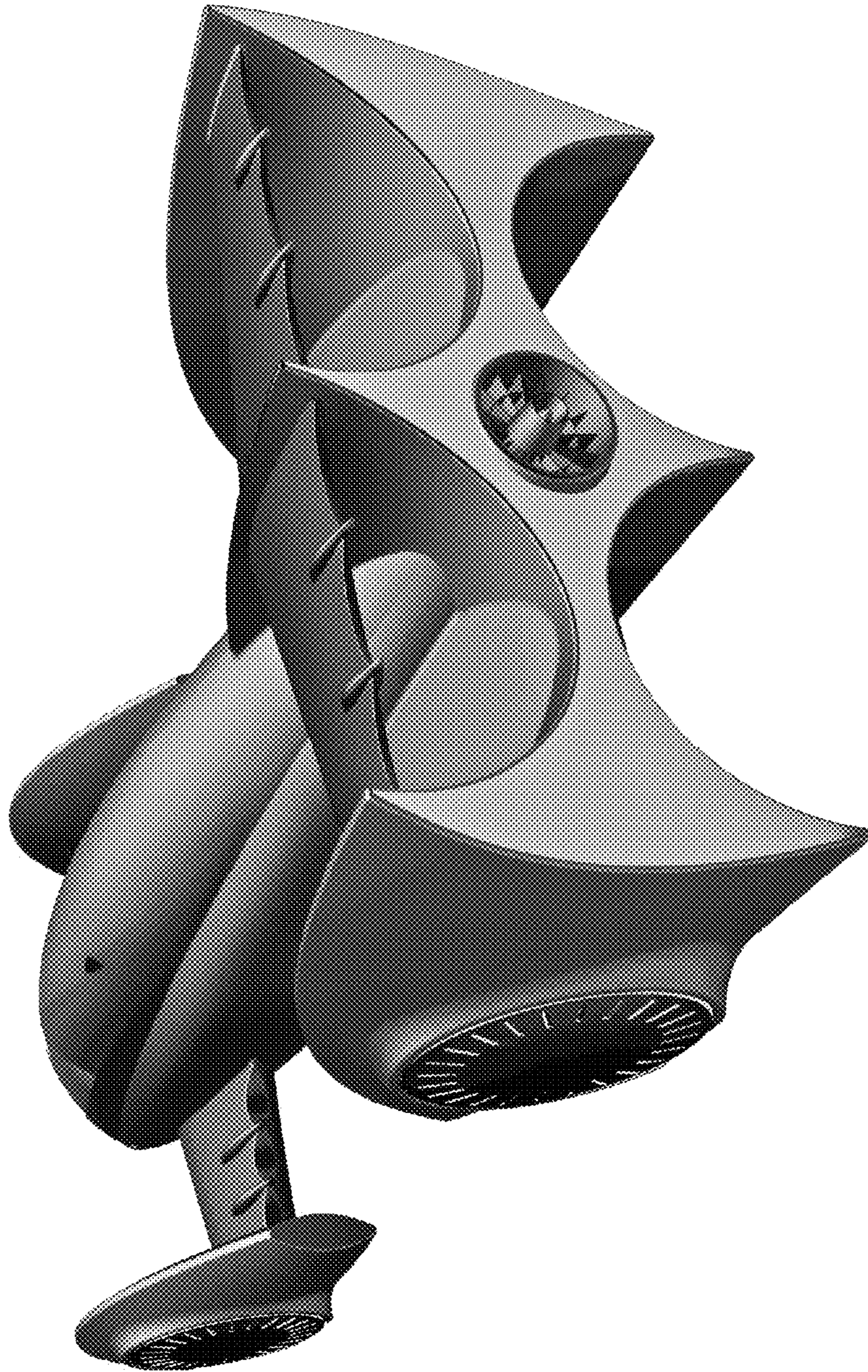


FIG. 16



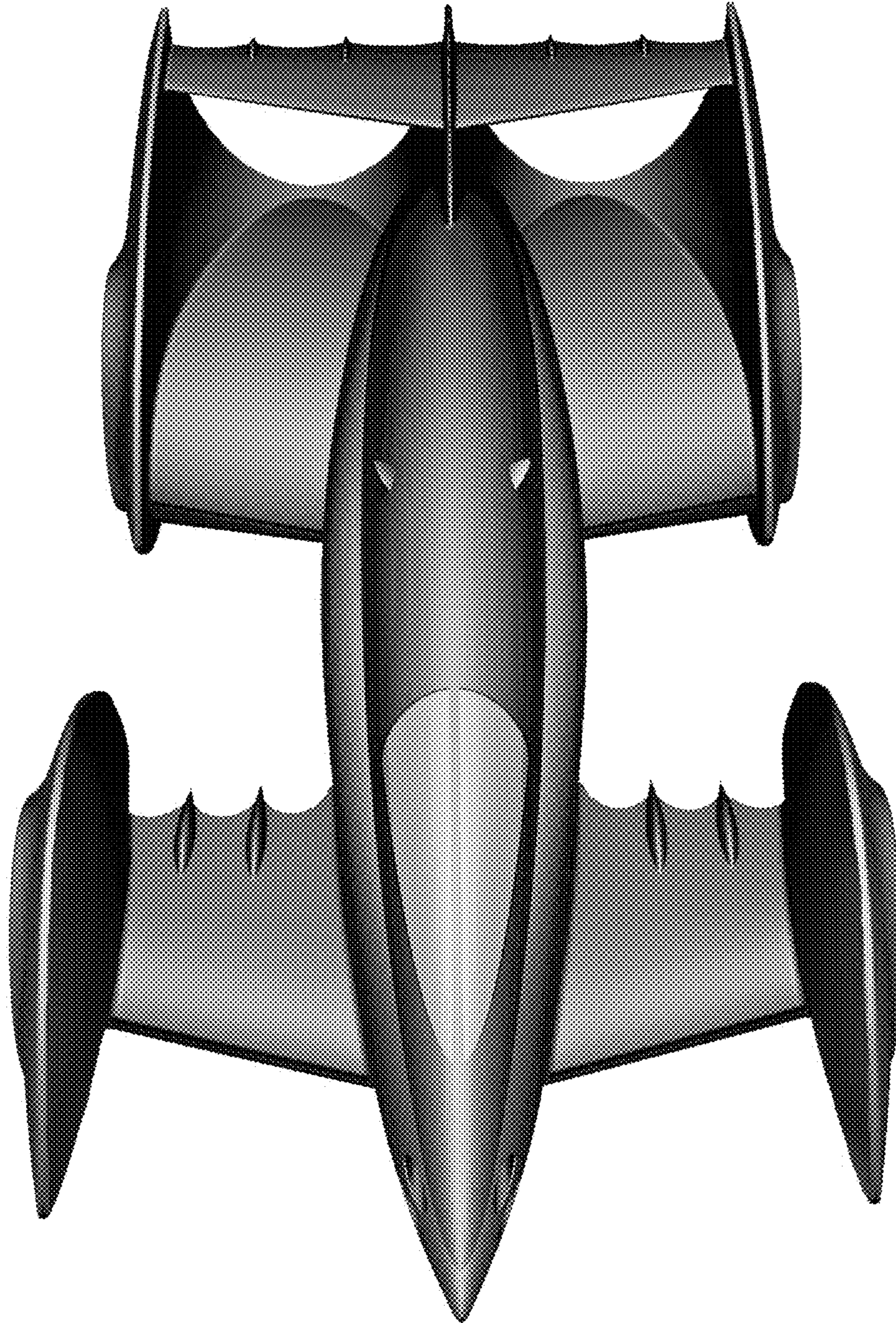


FIG. 17

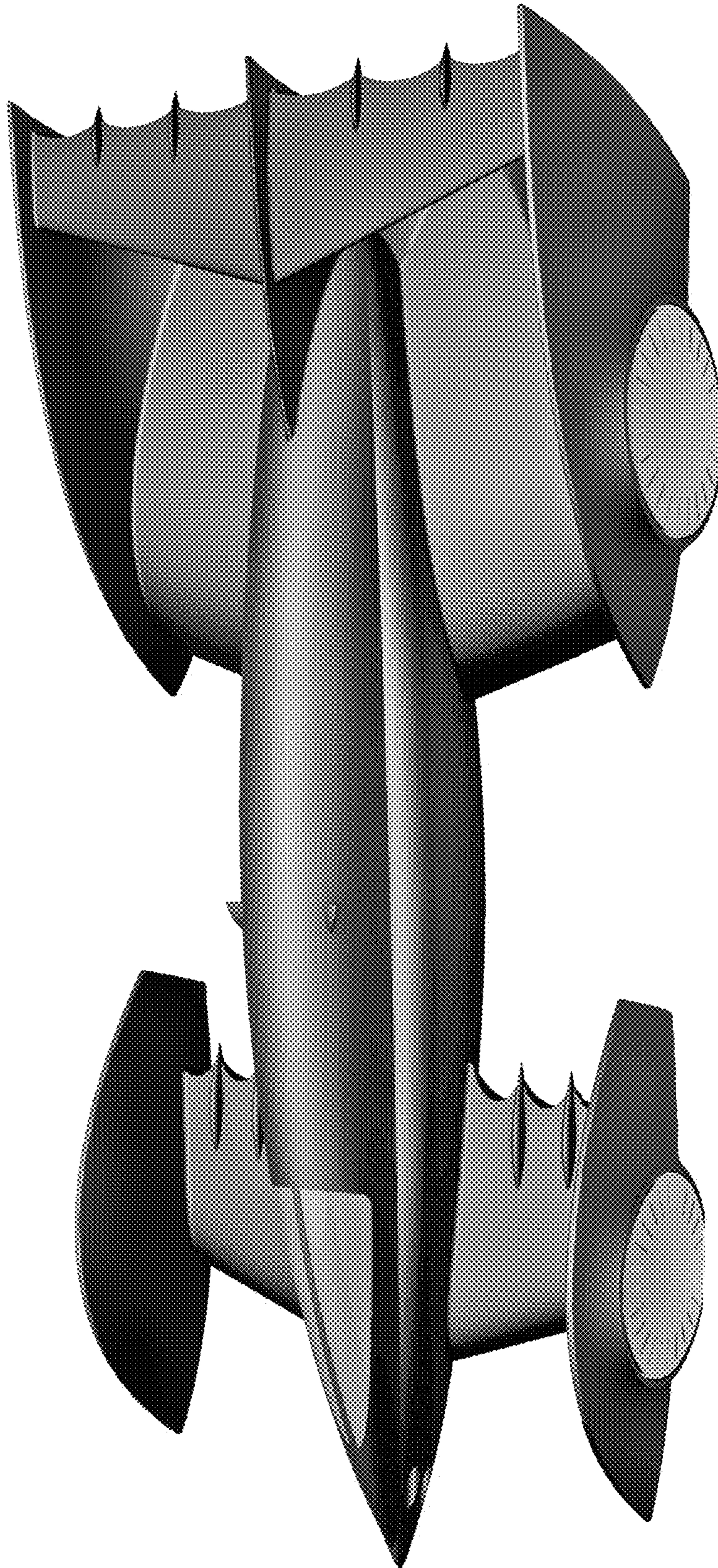


FIG. 18