



US00D692339S

(12) **United States Design Patent**
Cerrato

(10) **Patent No.:** **US D692,339 S**

(45) **Date of Patent:** **** Oct. 29, 2013**

(54) **BRACELET**

(75) Inventor: **Davide Cerrato**, Geneva (CH)

(73) Assignee: **Tudor Watch U.S.A., LLC**, New York, NY (US)

(**) Term: **14 Years**

(21) Appl. No.: **29/401,882**

(22) Filed: **Sep. 16, 2011**

(30) **Foreign Application Priority Data**

Mar. 16, 2011 (CH) 137820

(51) **LOC (9) Cl.** **11-01**

(52) **U.S. Cl.**
USPC **D11/3**

(58) **Field of Classification Search**
USPC D11/1-25, 26-39; 63/3, 3.1, 3.2, 5,
63/15.1-15.4, 15.45, 15.5, 15.6, 15.65;
D10/32, 38

See application file for complete search history.

(56) **References Cited**

U.S. PATENT DOCUMENTS

744,564 A * 11/1903 Kissling et al. 63/11
D58,409 S * 7/1921 Sturm D11/5

D130,112 S * 10/1941 Schultheiss D11/3
D136,736 S * 11/1943 Mercer D11/3
D139,671 S * 12/1944 Pereira D10/32
D150,010 S * 6/1948 Greenberg D11/3
D257,335 S * 10/1980 Hofman D11/3
D271,160 S * 11/1983 Sherwin D3/229
D306,981 S * 4/1990 Bettelini D11/3
D344,038 S * 2/1994 Phillips et al. D11/5
D401,181 S * 11/1998 Houlihan D11/3
D505,231 S * 5/2005 Jones D30/152
D628,510 S * 12/2010 Maier D11/3

* cited by examiner

Primary Examiner — Jennifer Rivard

Assistant Examiner — Melanie Pellegrini

(74) *Attorney, Agent, or Firm* — Sughrue Mion, PLLC

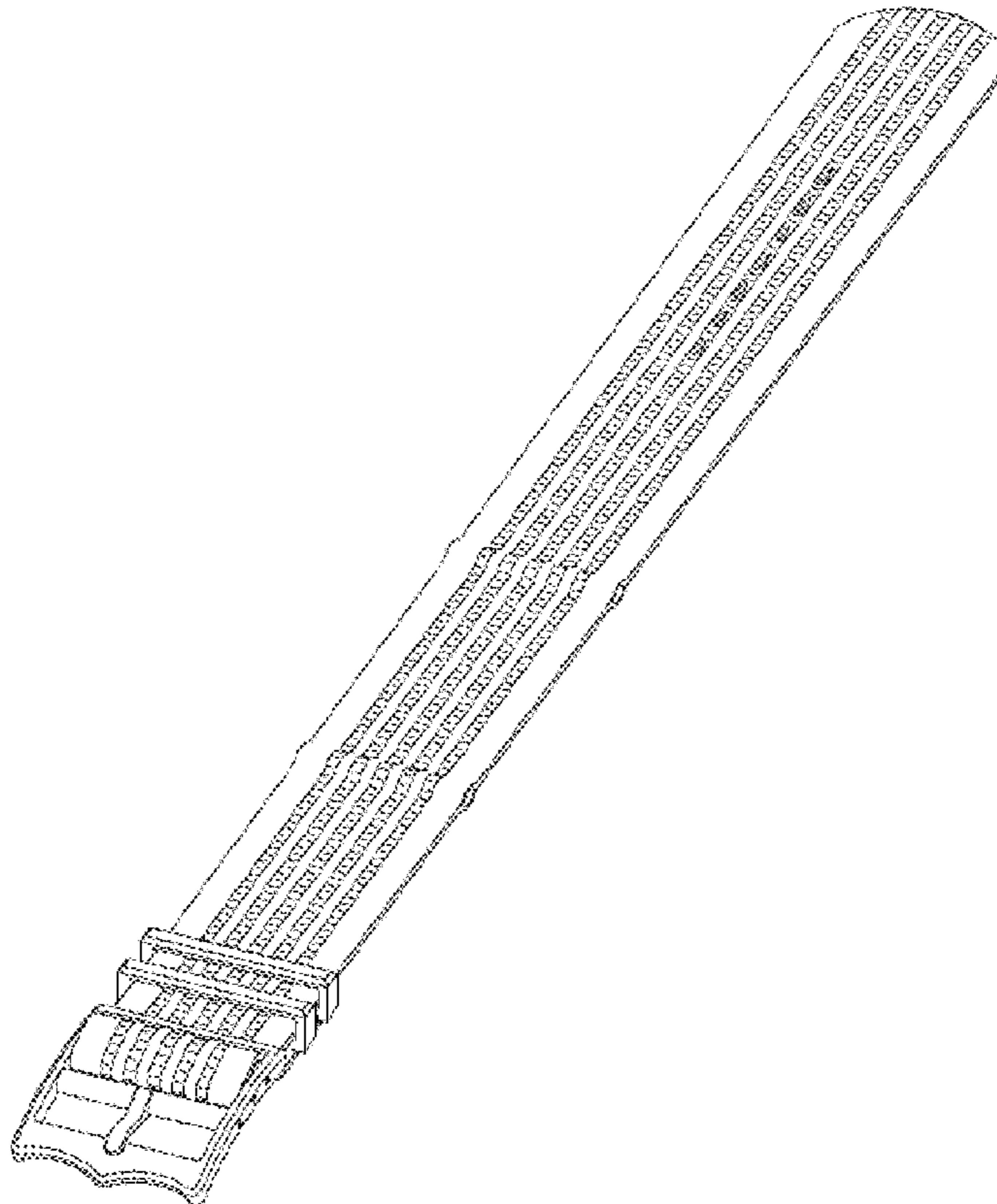
(57) **CLAIM**

The ornamental design for a bracelet, as shown and described.

DESCRIPTION

FIG. 1 is a right-top perspective view of the bracelet;
FIG. 2 is a top view of the bracelet;
FIG. 3 is a bottom view of the bracelet;
FIG. 4 is a right side view of the bracelet;
FIG. 5 is a left side view of the bracelet;
FIG. 6 is a front view of the bracelet; and,
FIG. 7 is a rear side view of the bracelet.

1 Claim, 4 Drawing Sheets



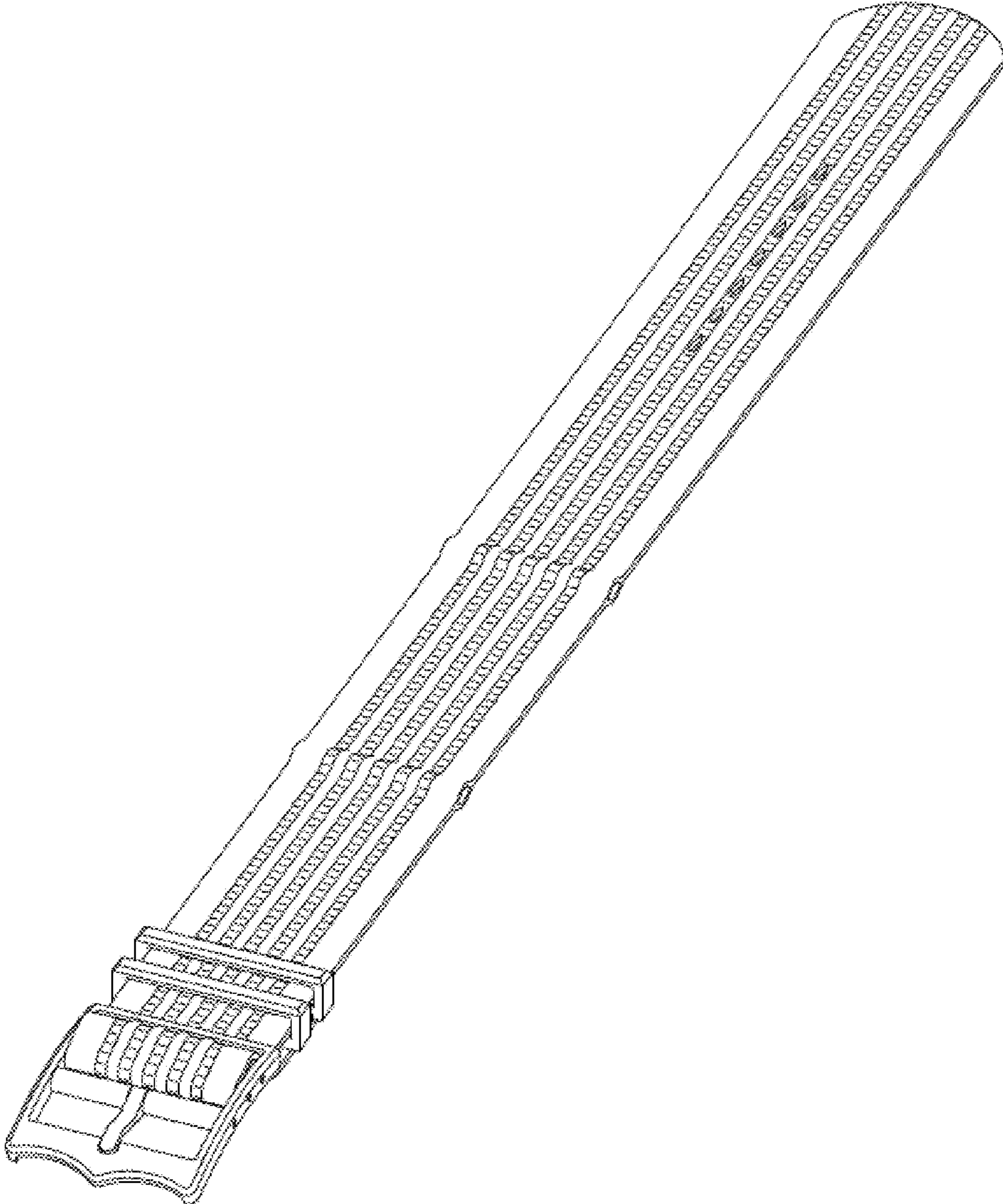


FIG. 1

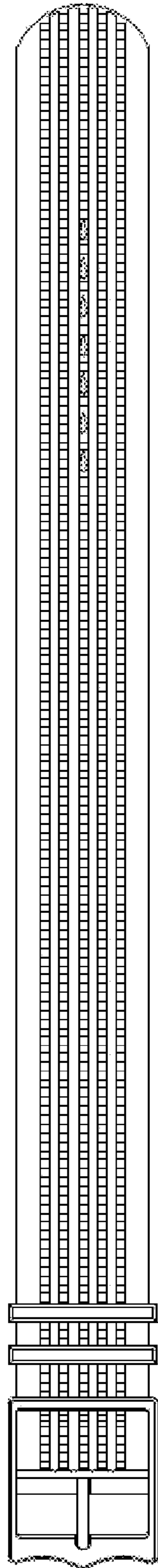


FIG. 2

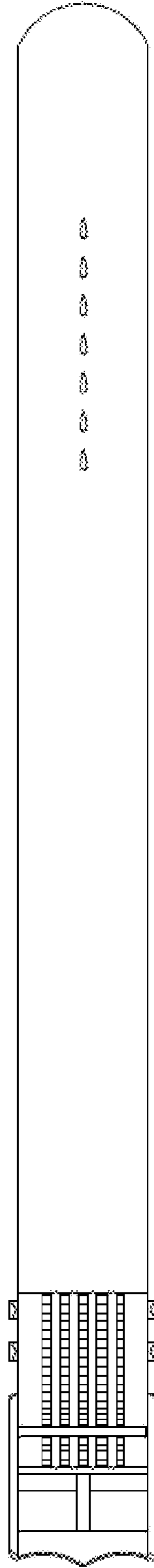


FIG. 3



FIG. 4



FIG. 5

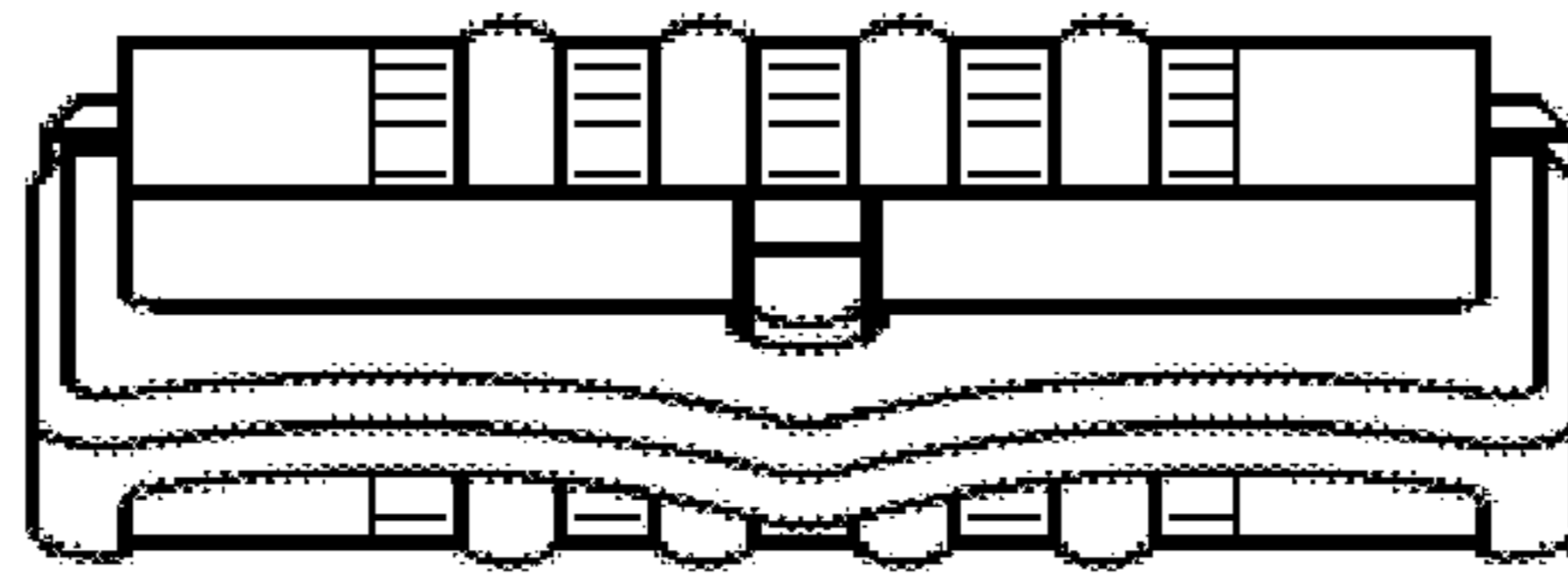


FIG. 6

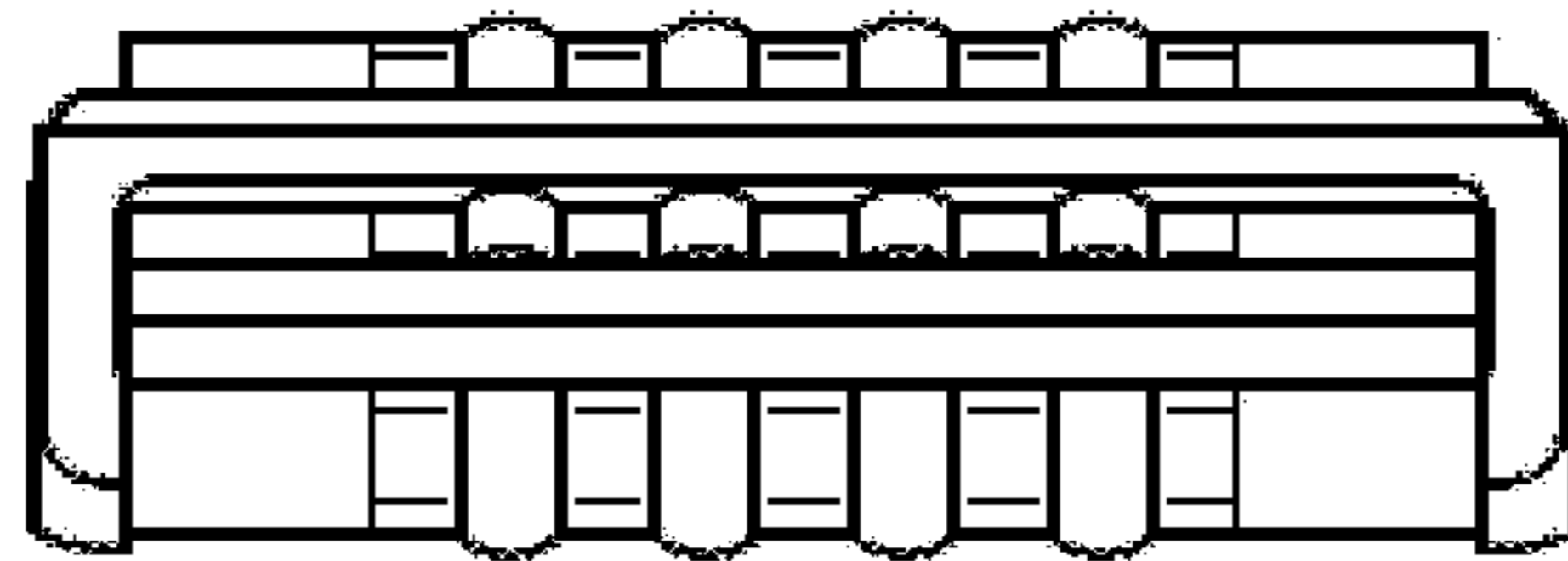


FIG. 7