



US00D692335S

(12) **United States Design Patent**
Waler et al.

(10) **Patent No.:** **US D692,335 S**

(45) **Date of Patent:** **** Oct. 29, 2013**

(54) **WATER ANALYSIS INSTRUMENT**

(56) **References Cited**

(71) Applicant: **Hach Company**, Loveland, CO (US)

U.S. PATENT DOCUMENTS

(72) Inventors: **Luke Waler**, Longmont, CO (US); **Jim Duncan**, Loveland, CO (US); **Parijat Prabhudesai**, GOA-Velha (IN); **Doug Golenz**, Boulder, CO (US)

D602,384	S	*	10/2009	Samborn et al.	D10/81
D608,670	S	*	1/2010	Samborn et al.	D10/81
2012/0051983	A1	*	3/2012	Hoenes et al.	422/430
2012/0288945	A1	*	11/2012	Russell et al.	436/63
2013/0050459	A1	*	2/2013	Fan et al.	348/77
2013/0052748	A1	*	2/2013	Campbell et al.	436/501

(73) Assignee: **Hach Company**, Loveland, CO (US)

* cited by examiner

(**) Term: **14 Years**

Primary Examiner — Antoine D Davis

(21) Appl. No.: **29/439,571**

(74) *Attorney, Agent, or Firm* — Ference & Associates LLC

(22) Filed: **Dec. 12, 2012**

(57) **CLAIM**

The ornamental design for a water analysis instrument, as shown and described.

(51) **LOC (9) Cl.** **10-04**

DESCRIPTION

(52) **U.S. Cl.**

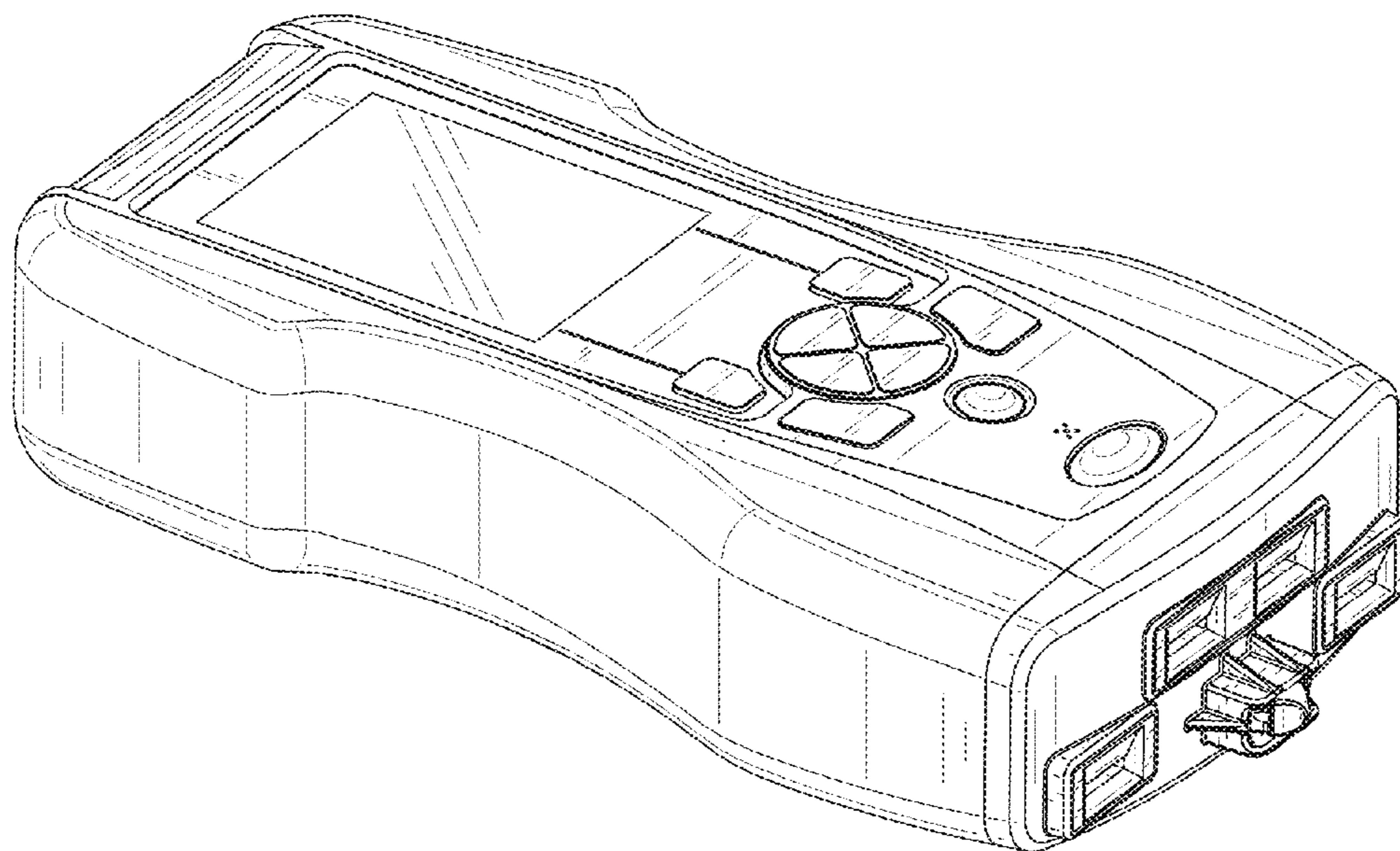
USPC **D10/81**; D10/78

(58) **Field of Classification Search**

USPC D10/75, 78, 81; D24/216, 232–234, D24/186, 224, 225, 223; 422/83–98, 239.2, 422/400, 401, 404, 5–82, 99, 102, 104, 422/82.5, 430; 435/4, 283.1–284.1, 286.5, 435/287.1, 287.2, 806, 13, 14, 287.4, 287.7, 435/287.94, 6.18, 810, 675, 970, 969, 435/297.3, 288.3, 288.4, 288.5; 436/43–54, 436/68, 900, 514, 530, 95, 805, 808, 806, 436/809, 819, 810, 164, 168, 169, 170

See application file for complete search history.

1 Claim, 5 Drawing Sheets



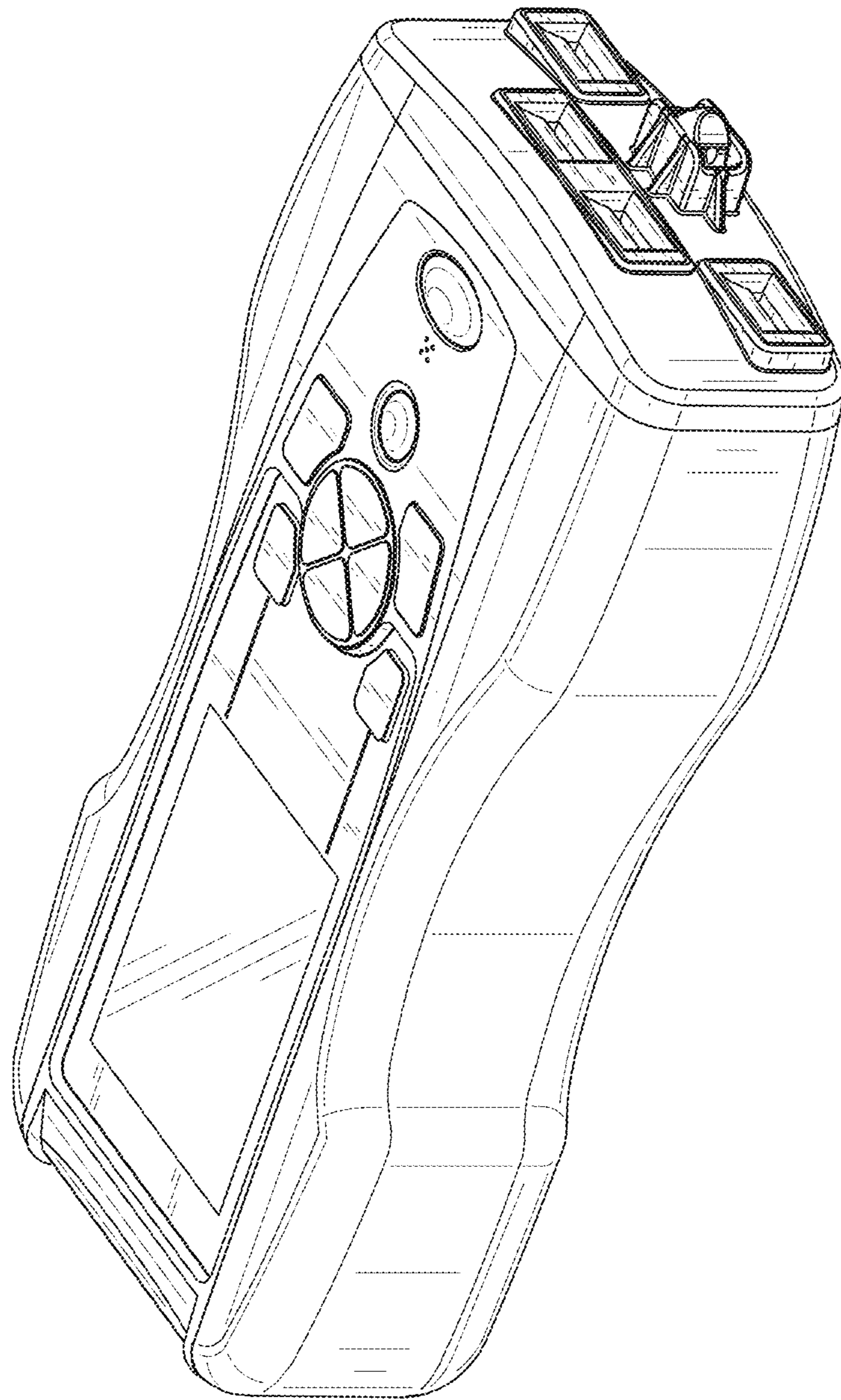


FIG. 1

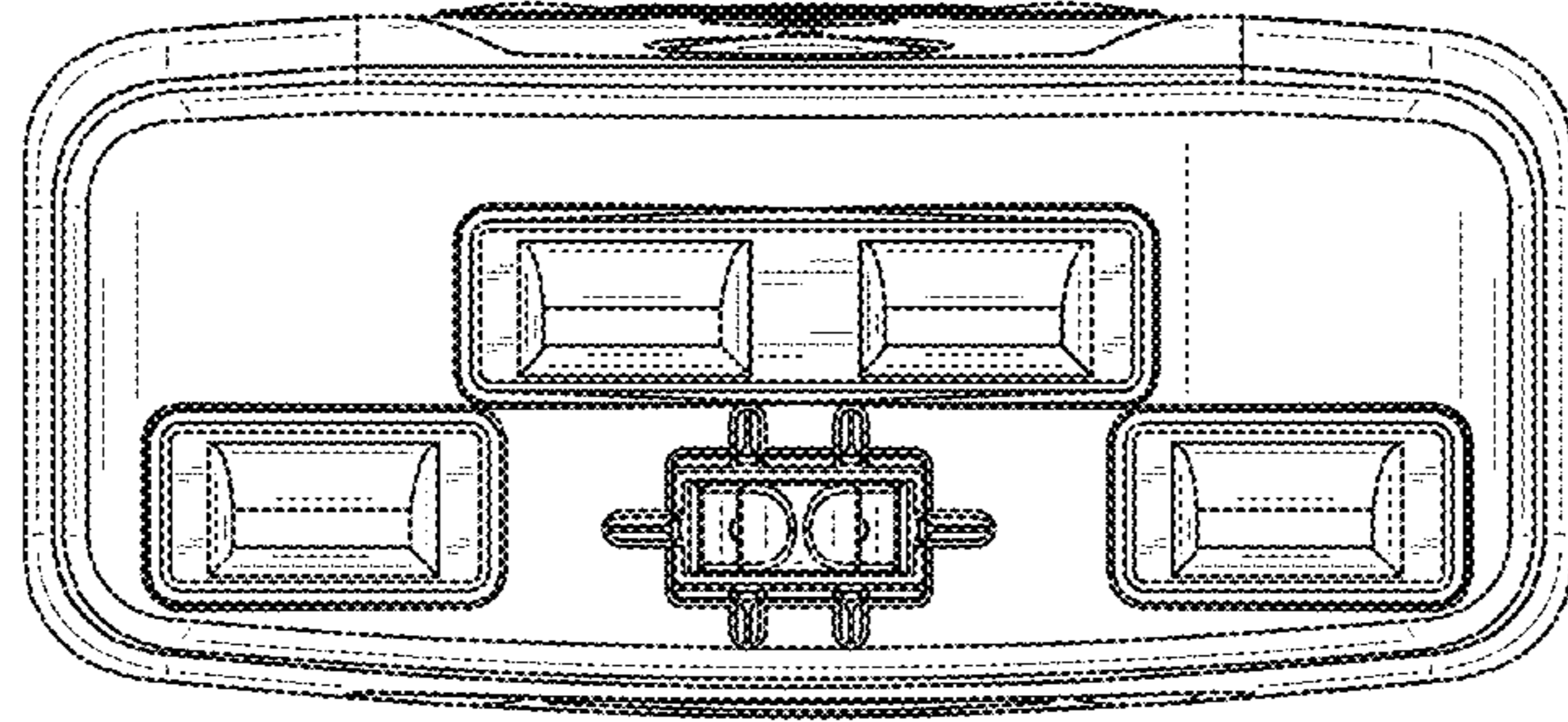


FIG. 2

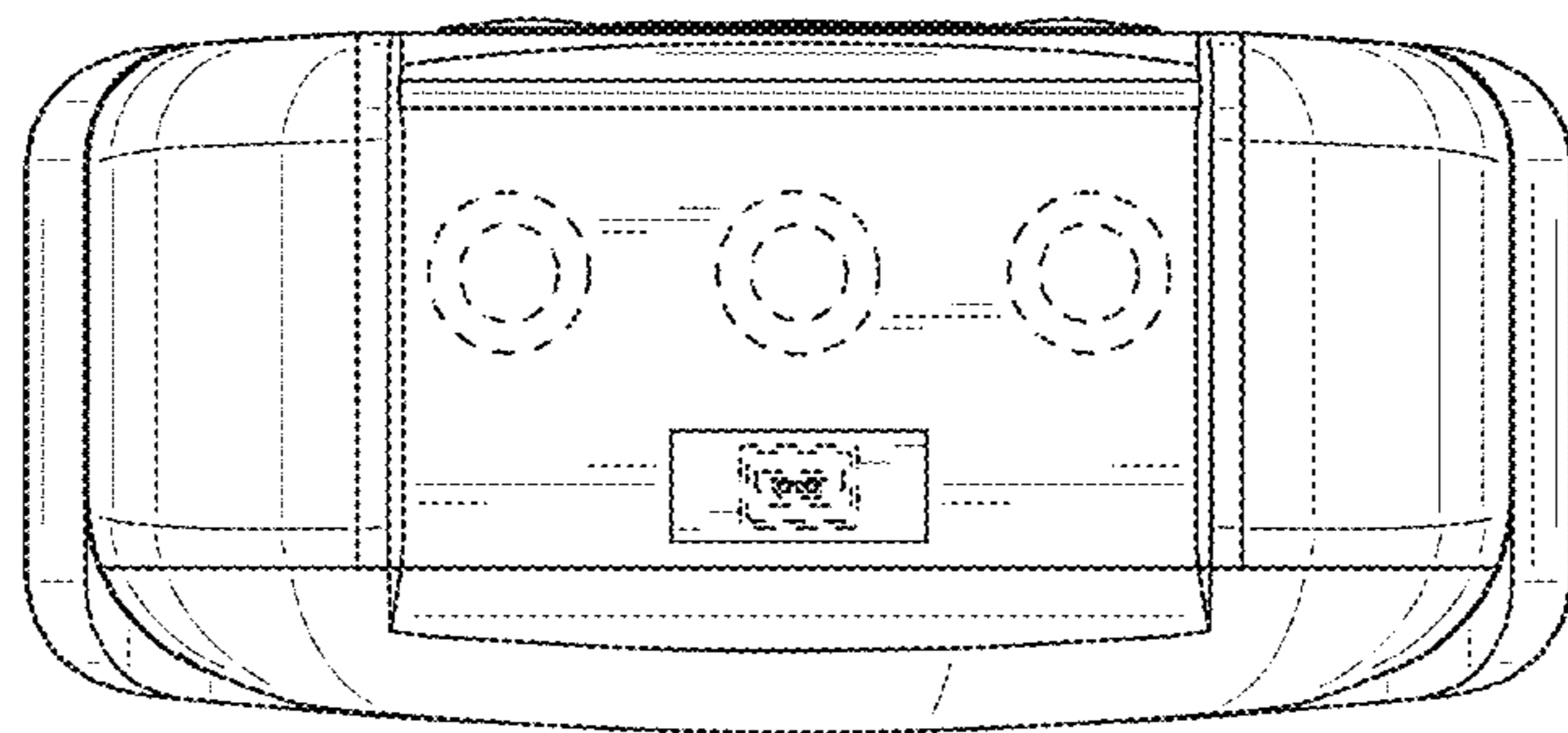


FIG. 3

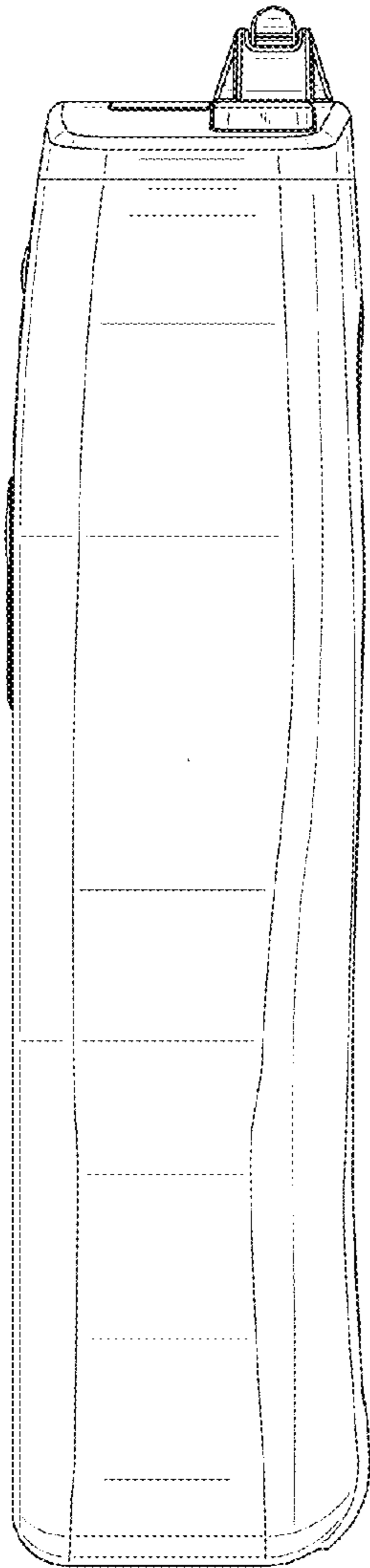


FIG. 4

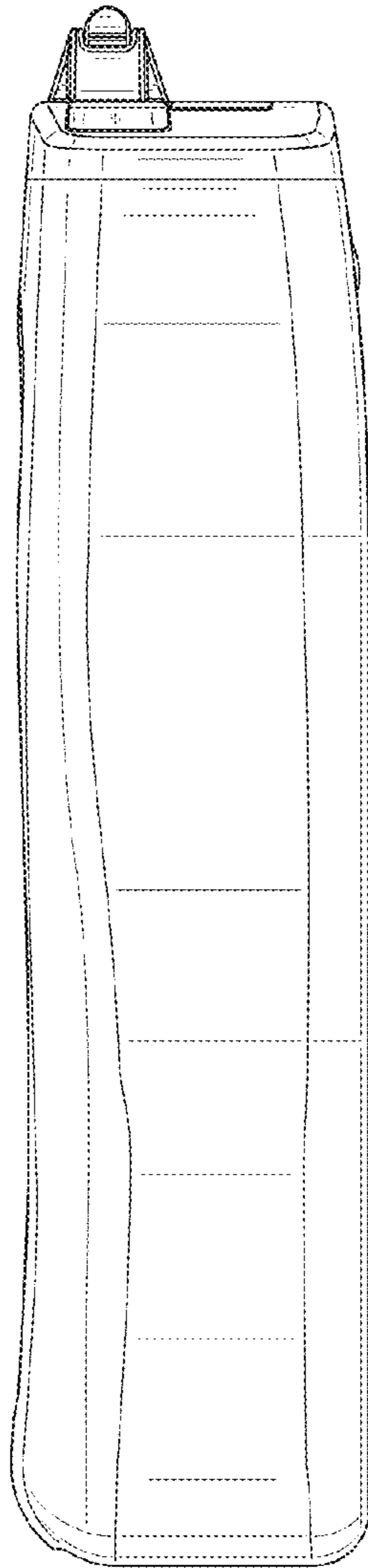


FIG. 5

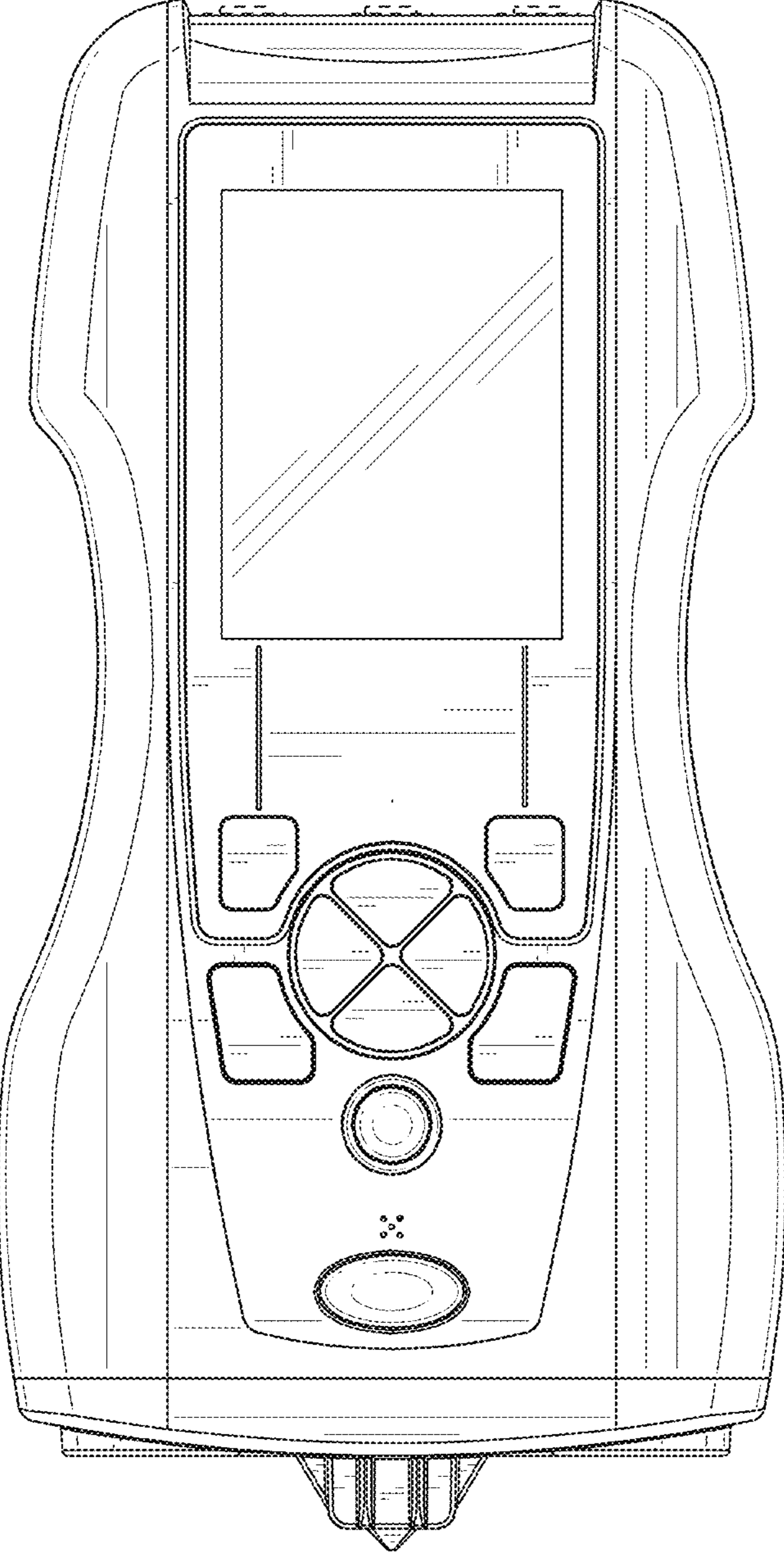


FIG. 6

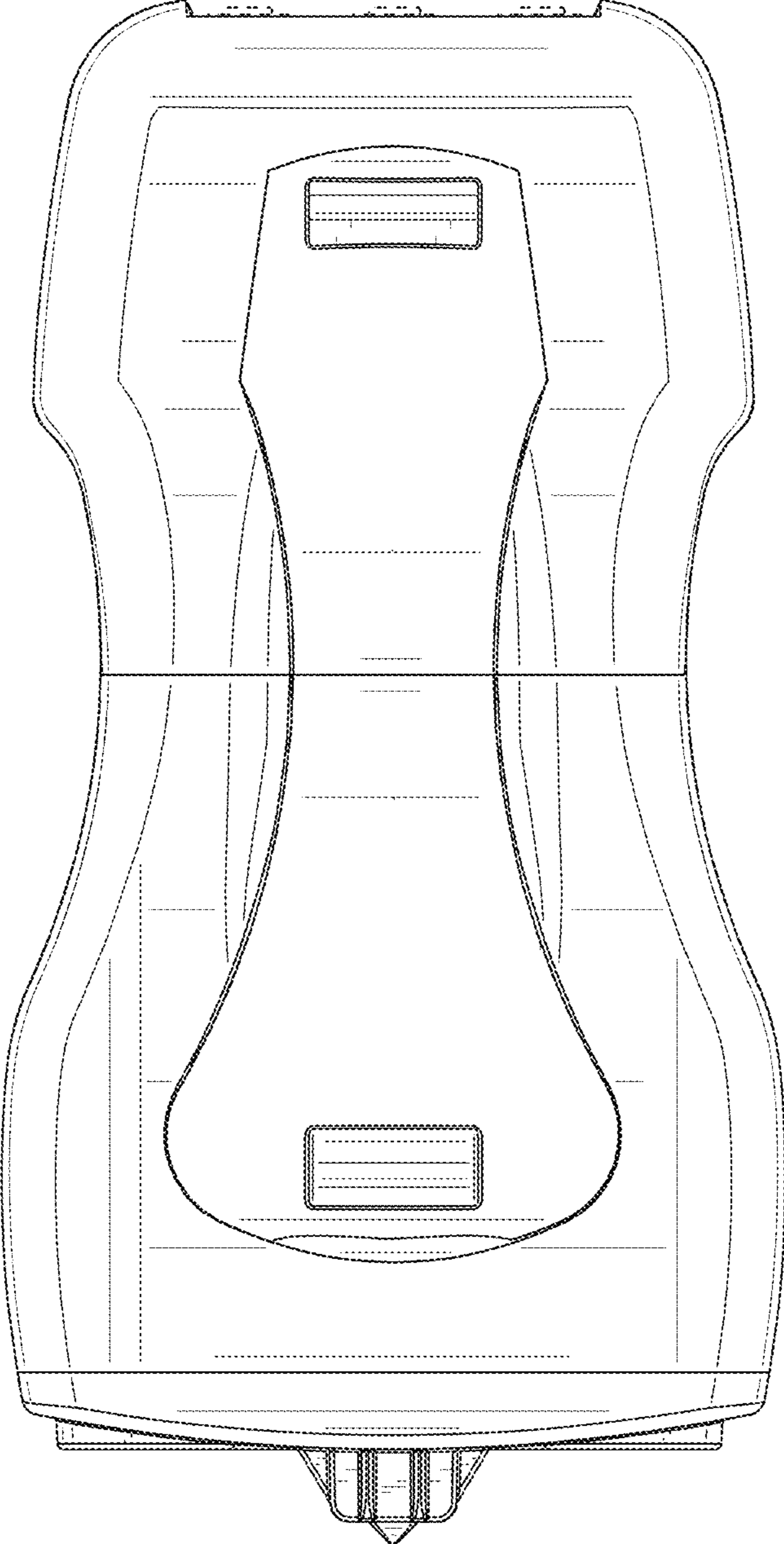


FIG. 7