

US00D692333S

(12) **United States Design Patent**
Moeller

(10) **Patent No.:** **US D692,333 S**
(45) **Date of Patent:** **** Oct. 29, 2013**

(54) **SENSORS**

(71) Applicant: **Steinel GmbH**, Herzebrock (DE)

(72) Inventor: **Thomas Moeller**, Herford (DE)

(73) Assignee: **Steinel GmbH**, Herzebrock (DE)

(**) Term: **14 Years**

(21) Appl. No.: **29/434,376**

(22) Filed: **Oct. 12, 2012**

(30) **Foreign Application Priority Data**

Apr. 12, 2012 (EM) 002024828-0001

Apr. 12, 2012 (EM) 002024828-0002

Apr. 12, 2012 (EM) 002024828-0003

(51) **LOC (9) Cl.** **10-04**

(52) **U.S. Cl.**
USPC **D10/70; D10/106.8**

(58) **Field of Classification Search**

USPC D10/65, 70, 75, 78, 106.1–106.8;
D14/138 R, 138 AA, 138 AB, 138 AC,
D14/138 AD, 341–347, 507–510, 136, 167,
D14/168, 496, 498, 499, 500, 125–134, 239,
D14/371, 374–377, 440, 450, 448, 336,
D14/342; 343/702; 345/87, 104, 133, 156,
345/168, 173, 901–905, 165; 348/180, 184,
348/315, 739, 836, 838, 325; 364/444, 499;
701/408–418, 431, 432, 537; 312/7.2;
341/12; 720/605, 669, 600, 655;
369/99, 197; 455/344, 347, 575.1;
250/221, 338.3, 340, 239, 342, 341,
250/DIG. 1, 353; 307/116, 117; 340/521,
340/527, 541, 567, 540, 568.2, 539.23, 635,
340/687; 315/159; 324/72.5, 556, 133, 149,
324/503, 543, 555, 66, 72, 754, 115, 141,

324/522; 73/615, 624, 627, 644, 514.33,
73/514.34, 510, 513, 527, 530;
356/3.01–5.15; 235/105; 377/5, 24.2,
377/26; 702/155, 160, 176, 78, 79, 82,
702/91–95, 104, 116, 141, 150, 151, 154,
702/127, 131, 182, 183, 189; 600/437, 443,
600/453, 459, 465, 479, 500, 502, 595, 485,
600/481, 483; D26/60–66, 51, 72
See application file for complete search history.

(56) **References Cited**

U.S. PATENT DOCUMENTS

D428,352 S * 7/2000 Hiller et al. D10/106.7
D438,133 S * 2/2001 Leen D10/106.7

* cited by examiner

Primary Examiner — Antoine D Davis

(74) *Attorney, Agent, or Firm* — Bachman & LaPointe, P.C.

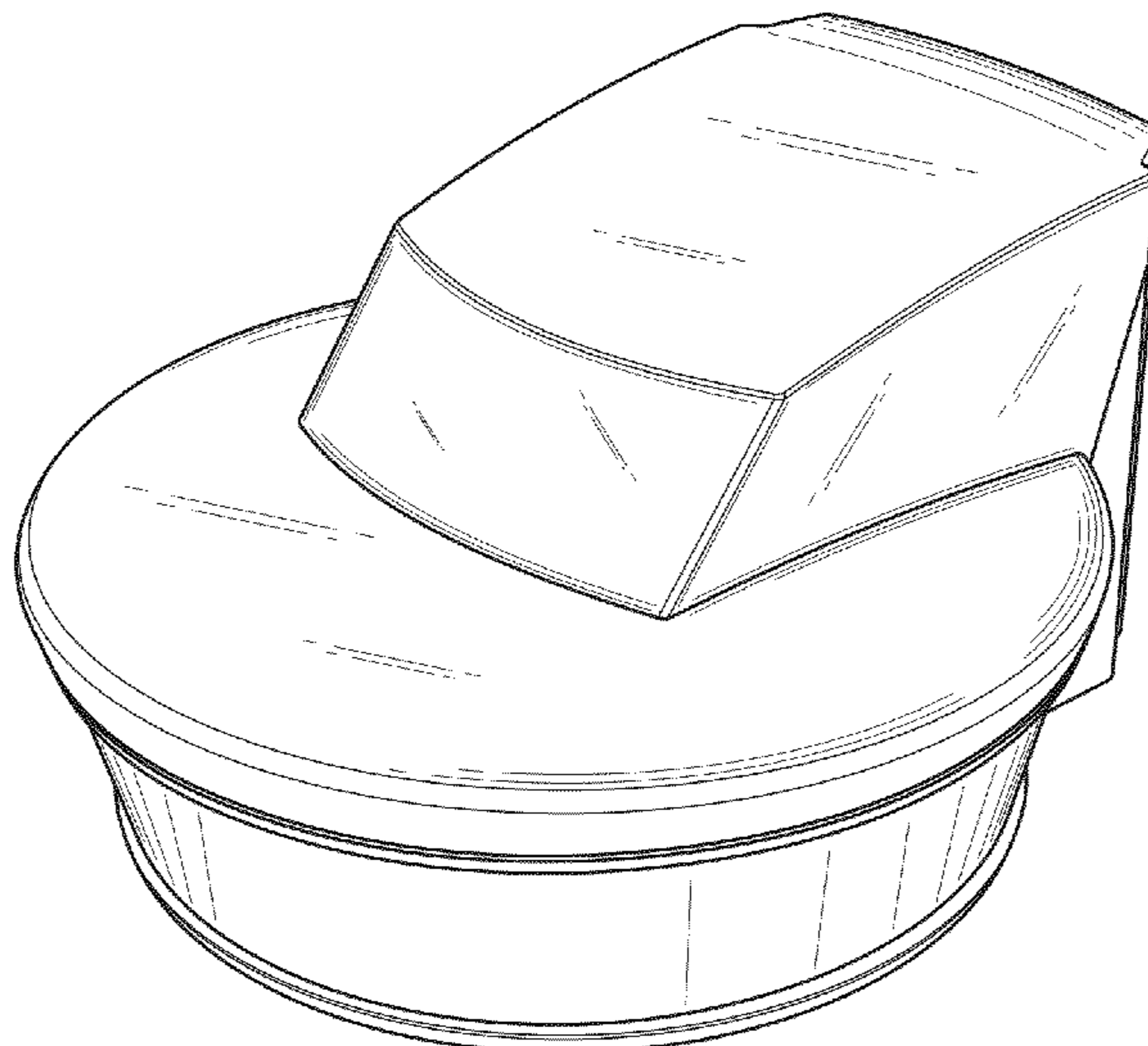
(57) **CLAIM**

The ornamental design of sensors, as shown.

DESCRIPTION

FIG. 1 is a perspective view showing the ornamental design of a sensor in accordance with the present invention;
FIG. 2 is a side view showing the ornamental design of a sensor in accordance with the present invention;
FIG. 3 is a bottom perspective view showing the ornamental design of a sensor in accordance with the present invention;
FIG. 4 is a perspective view showing an embodiment of the present invention with dashed lines illustrating an environment of use;
FIG. 5 is a side view of the embodiment of FIG. 4; and,
FIG. 6 is a lower perspective view of the embodiment of FIG. 4.

1 Claim, 6 Drawing Sheets



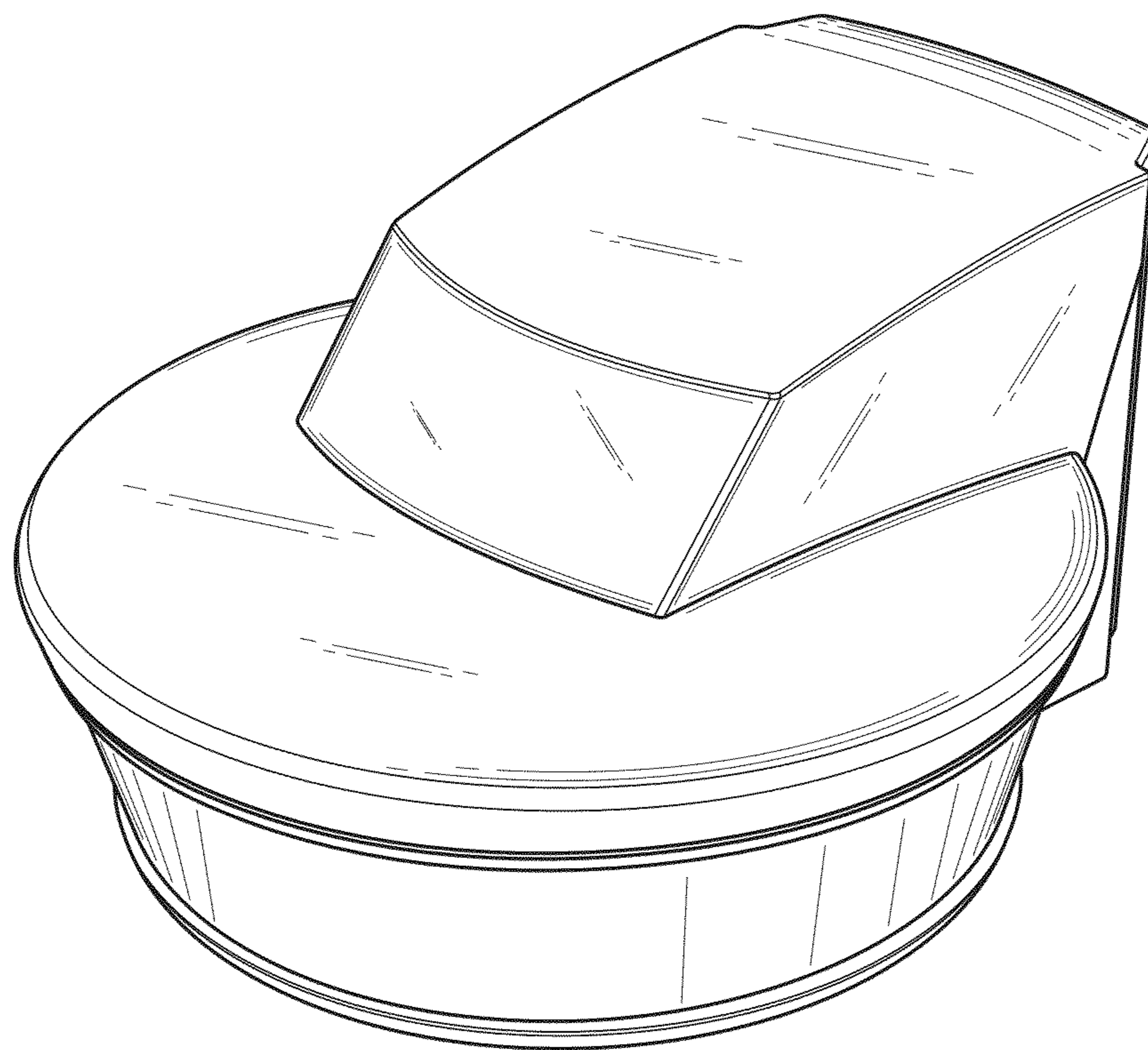


FIG. 1

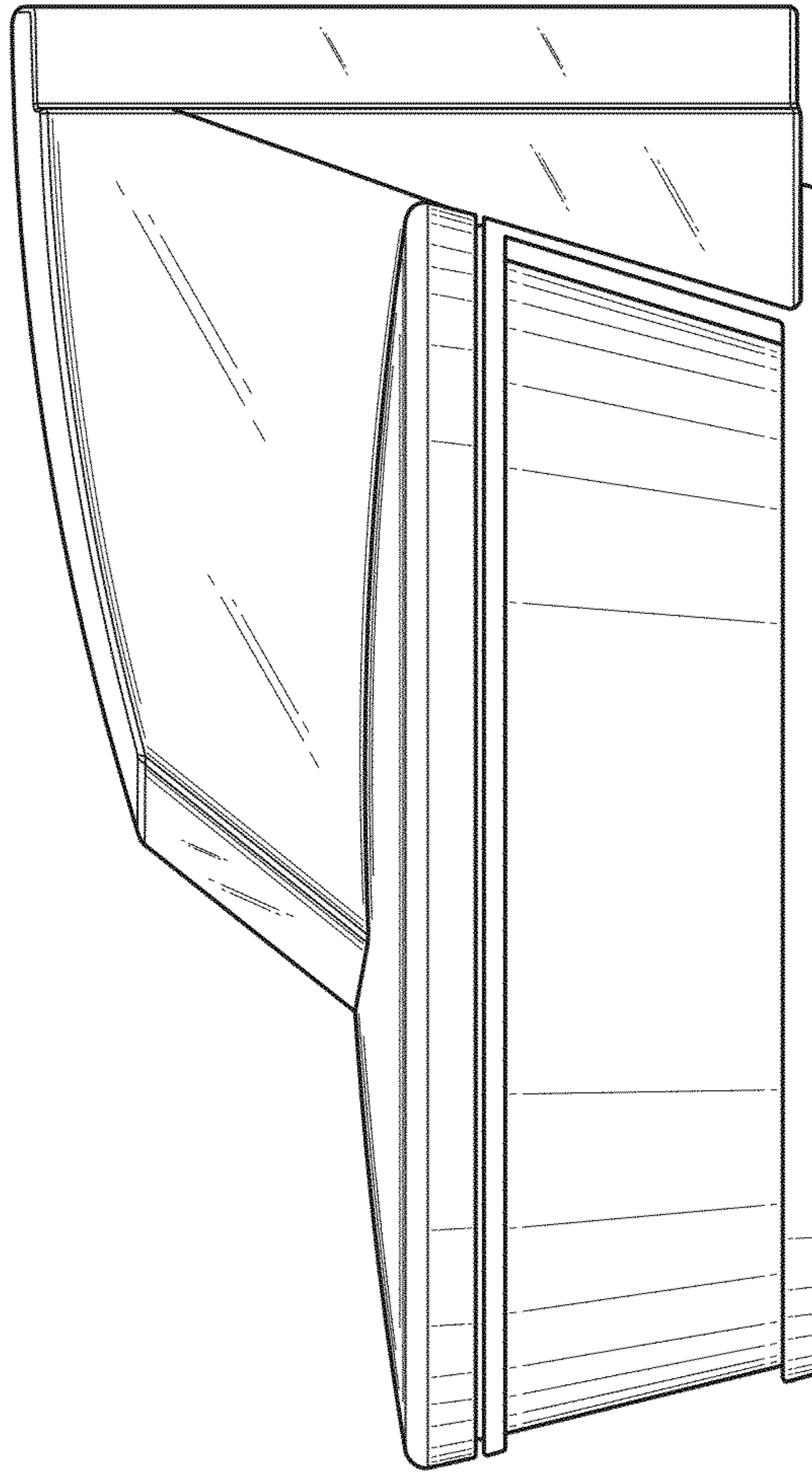


FIG. 2

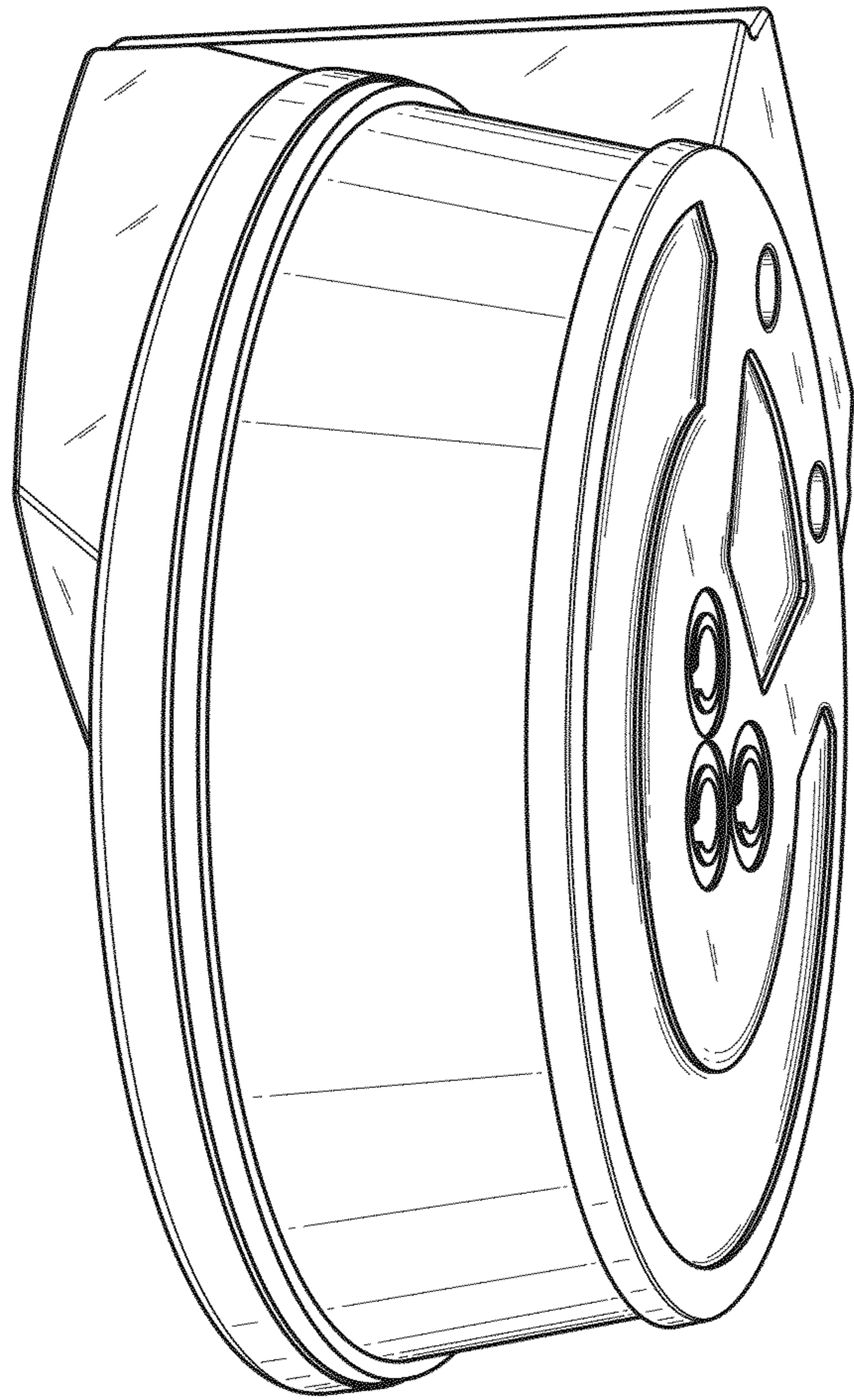


FIG. 3

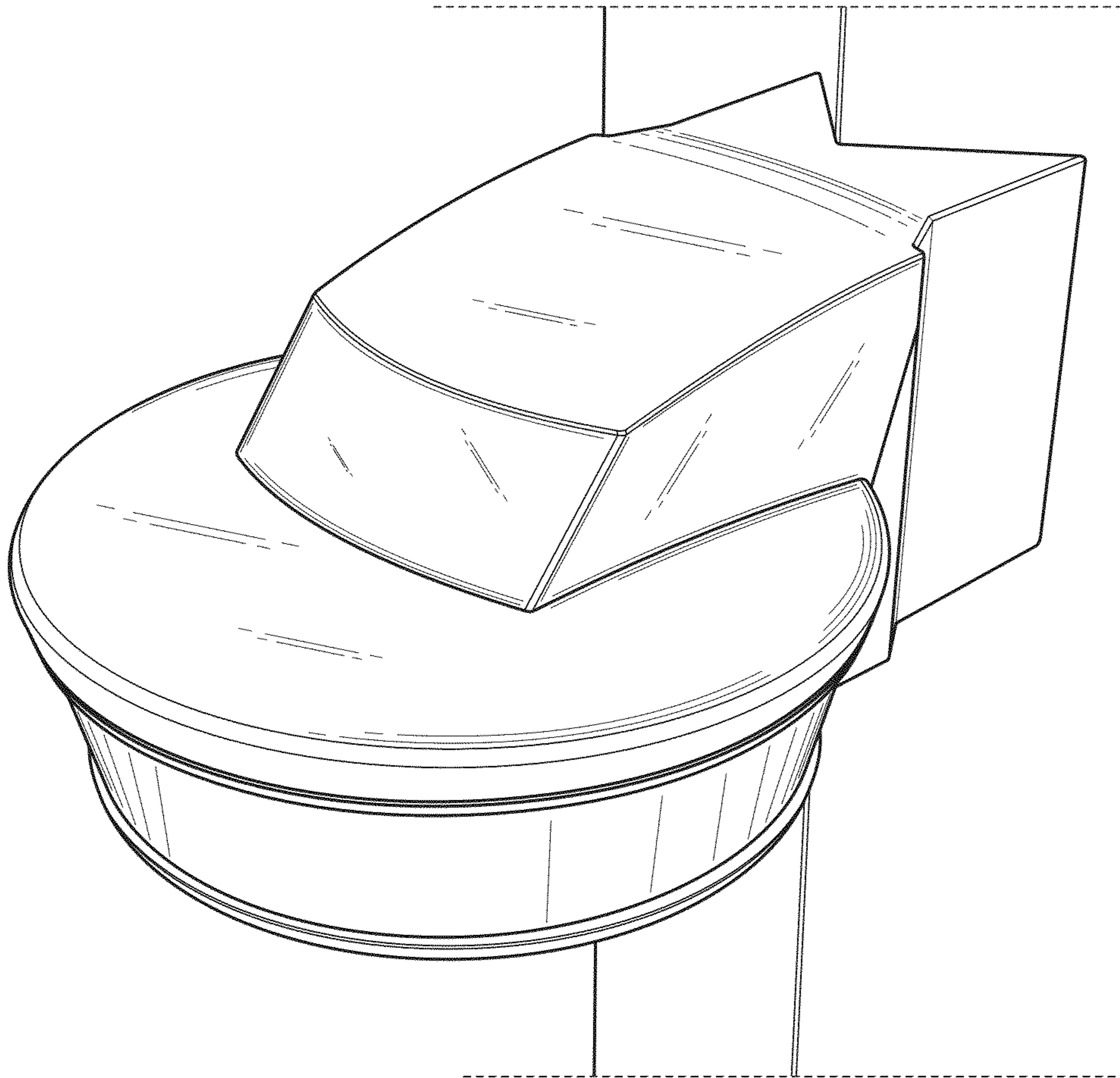


FIG. 4

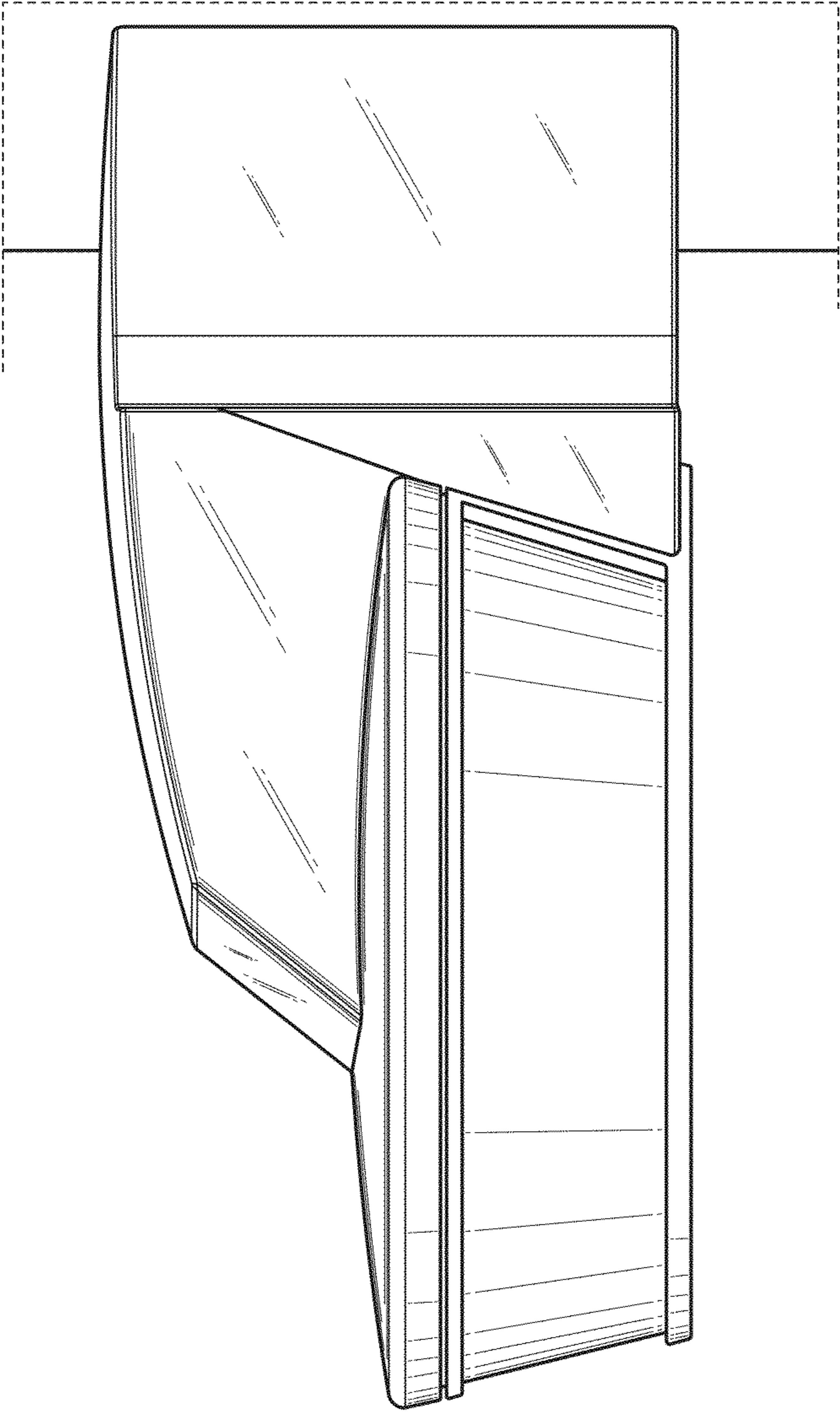


FIG. 5

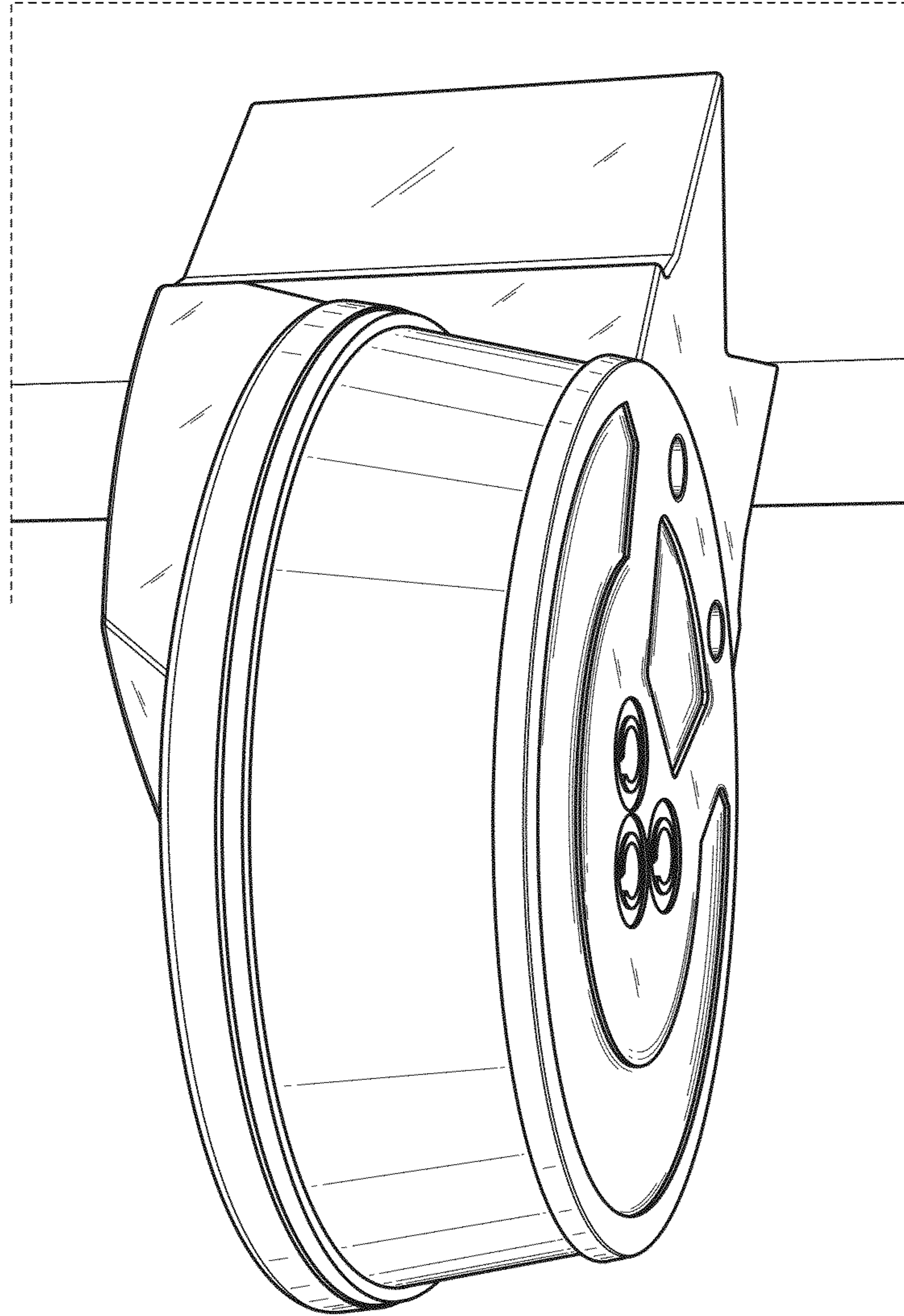


FIG. 6