



US00D692327S

(12) **United States Design Patent**  
**Asher et al.**

(10) **Patent No.:** **US D692,327 S**

(45) **Date of Patent:** **\*\* Oct. 29, 2013**

(54) **ROTARY LASER UNIT**

D612,753 S \* 3/2010 Ishii et al. .... D10/66  
D635,038 S \* 3/2011 Ishii ..... D10/66  
D672,259 S \* 12/2012 Sun et al. .... D10/66

(75) Inventors: **Timothy Asher**, West Lafayette, IN (US); **Russ Keath**, Watseka, IL (US); **Duard Wilson**, Kankakee, IL (US); **Brian Sell**, South Barrington, IL (US)

\* cited by examiner

(73) Assignee: **Robert Bosch GmbH**, Stuttgart (DE)

*Primary Examiner* — Antoine D Davis

(74) *Attorney, Agent, or Firm* — Keith Swedo; Taft Stettinius & Hollister LLP

(\*\*) Term: **14 Years**

(57) **CLAIM**

The ornamental design for the rotary laser unit, as shown and described.

(21) Appl. No.: **29/414,826**

(22) Filed: **Mar. 5, 2012**

**DESCRIPTION**

(51) **LOC (9) Cl.** ..... **10-04**

(52) **U.S. Cl.**

USPC ..... **D10/66**; D10/69; D10/70

(58) **Field of Classification Search**

USPC ..... D10/66, 69, 70; 33/276, 277, 281, 285, 33/286, 290, 291–299, DIG. 21; 340/539, 340/825.36, 825.46, 825.49; 356/5.15, 356/4.01, 5.01, 4.05, 5.05–5.09, 5.12, 28.5, 356/345, 375, 3.01, 128–155, 399–400; 385/83, 97–99, 134–139; 264/1.24–1.25

See application file for complete search history.

FIG. 1 is a top left perspective view of one embodiment of the rotary laser unit;  
FIG. 2 is a front view thereof;  
FIG. 3 is a rear view thereof;  
FIG. 4 is a right side view thereof;  
FIG. 5 is a left side view thereof;  
FIG. 6 is a top view thereof; and  
FIG. 7 is a bottom view thereof.  
FIG. 8 is a top left perspective view of another embodiment of the rotary laser unit;  
FIG. 9 is a front view thereof;  
FIG. 10 is a rear view thereof;  
FIG. 11 is a right side view thereof;  
FIG. 12 is a left side view thereof;  
FIG. 13 is a top view thereof; and  
FIG. 14 is a bottom view thereof.

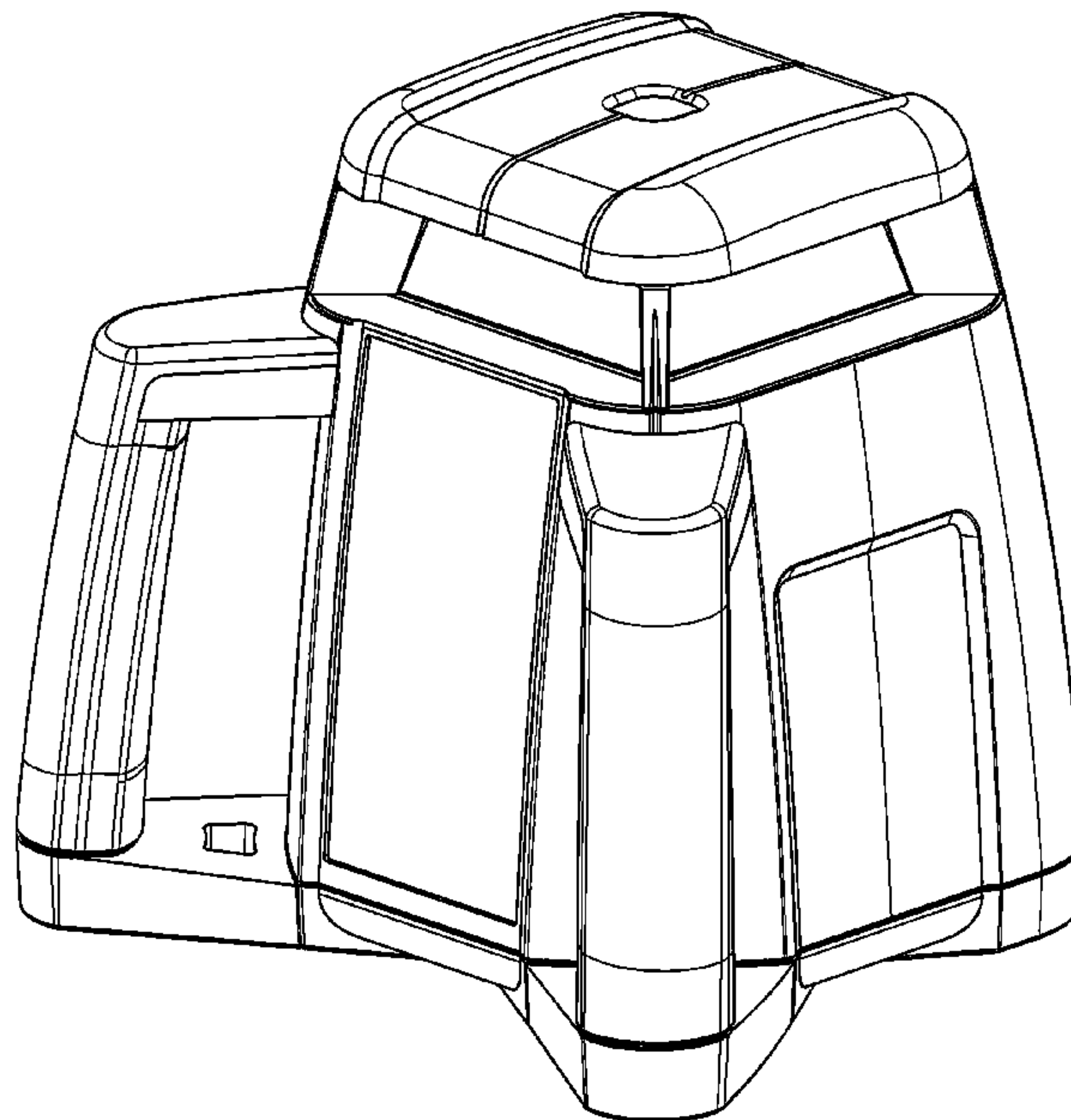
Elements shown in the drawings in broken or phantom lines form no part of the claimed design, and merely illustrate the environment in which the article embodying the design is used.

(56) **References Cited**

**U.S. PATENT DOCUMENTS**

D383,075 S \* 9/1997 Sawaguchi et al. .... D10/66  
D469,369 S \* 1/2003 Durkin ..... D10/69  
D469,738 S \* 2/2003 Ishii ..... D13/101  
D561,621 S \* 2/2008 Ishii et al. .... D10/66  
D564,922 S \* 3/2008 Ishii ..... D10/66  
D587,149 S \* 2/2009 Ishii et al. .... D10/69  
D609,124 S \* 2/2010 Ishii et al. .... D10/66

**1 Claim, 14 Drawing Sheets**



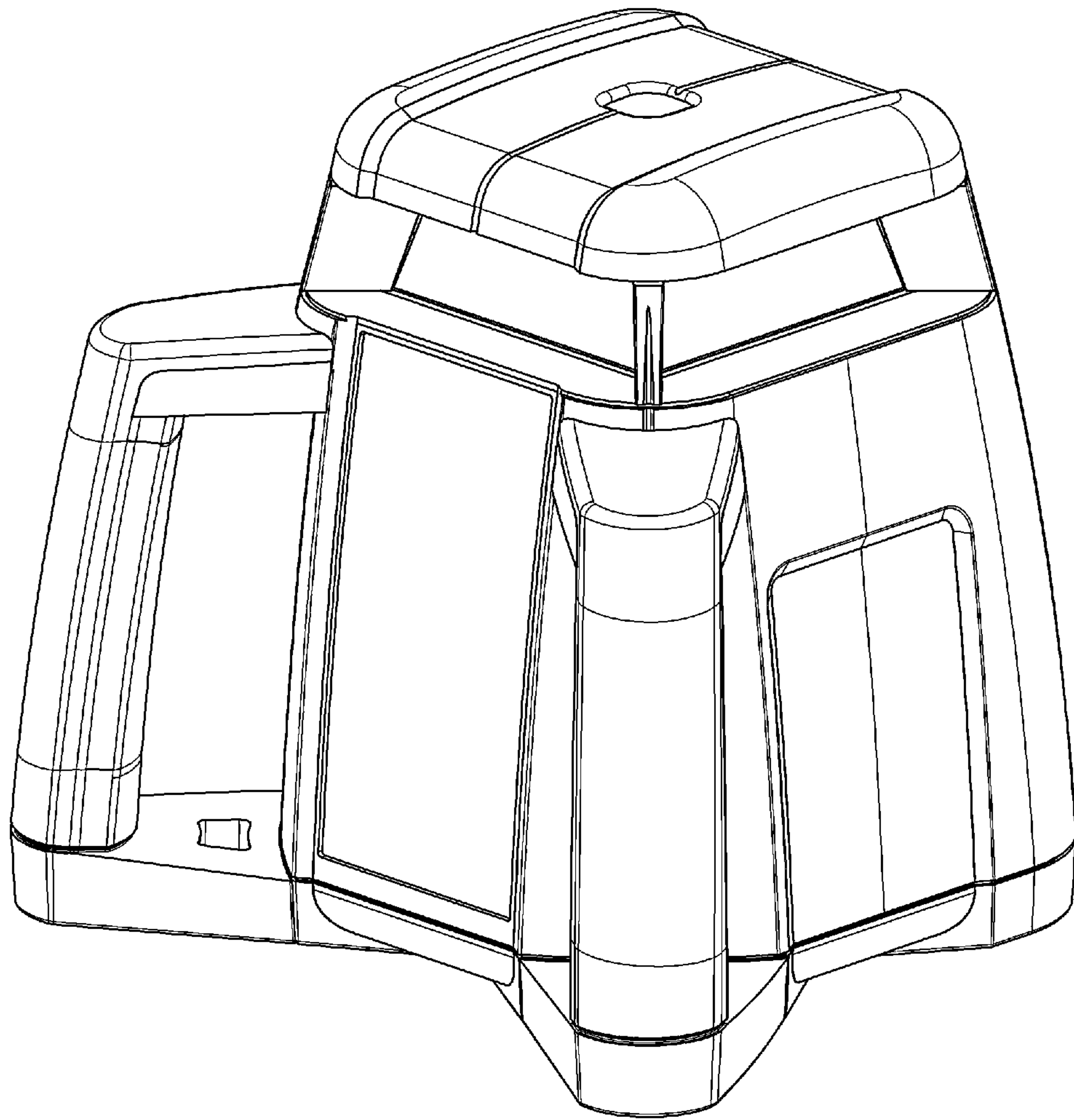


Fig. 1

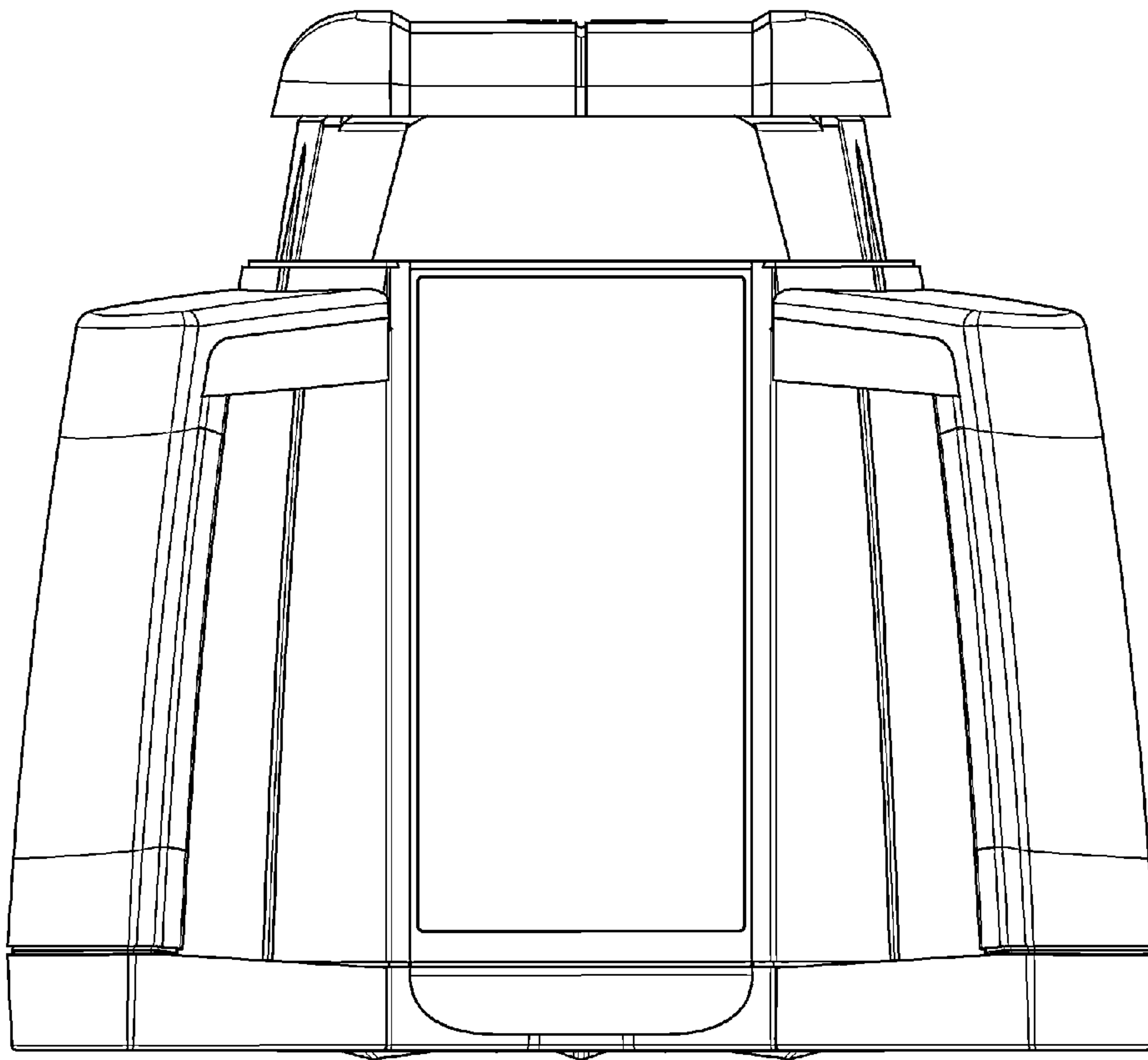


Fig. 2

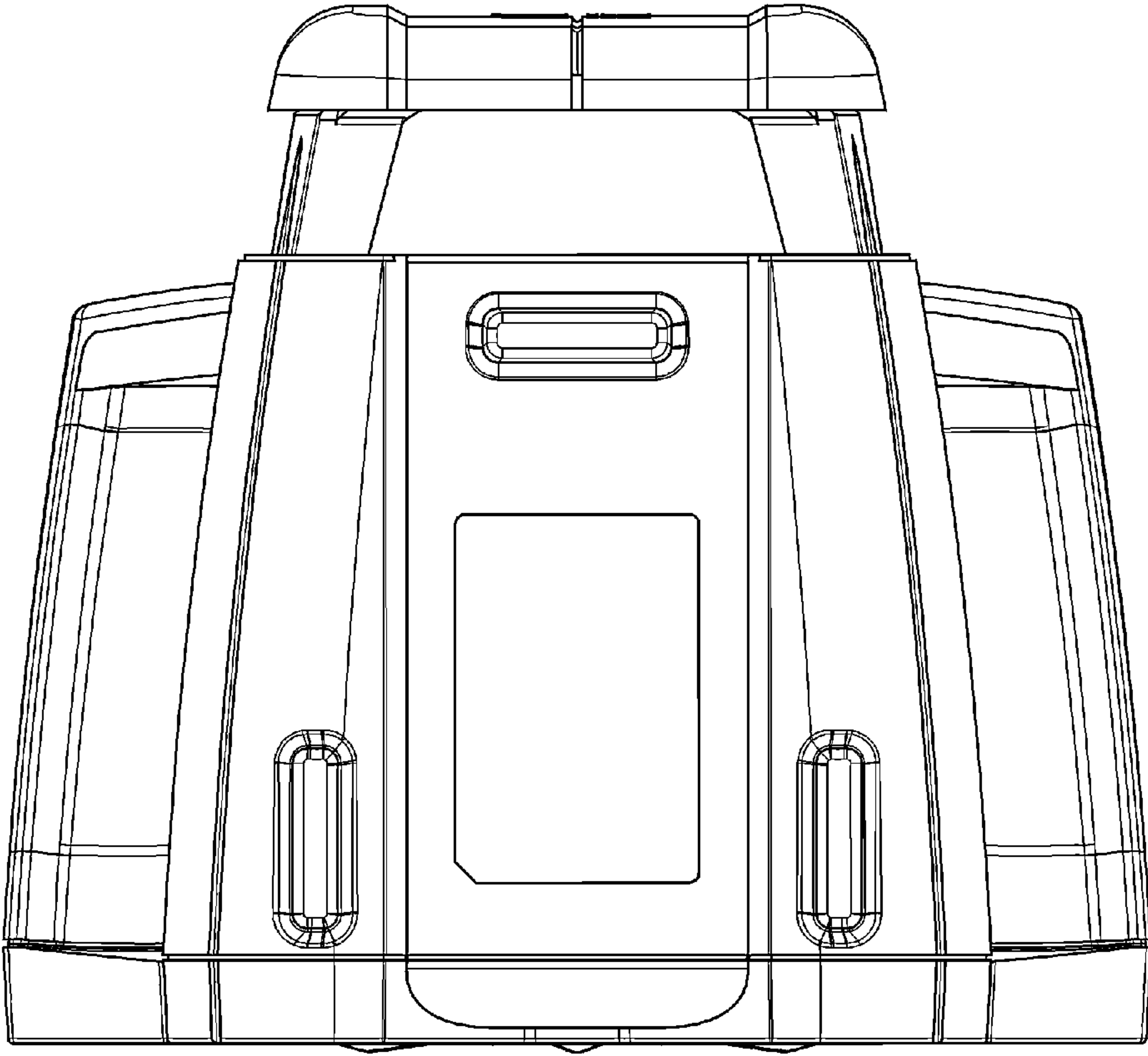


Fig. 3

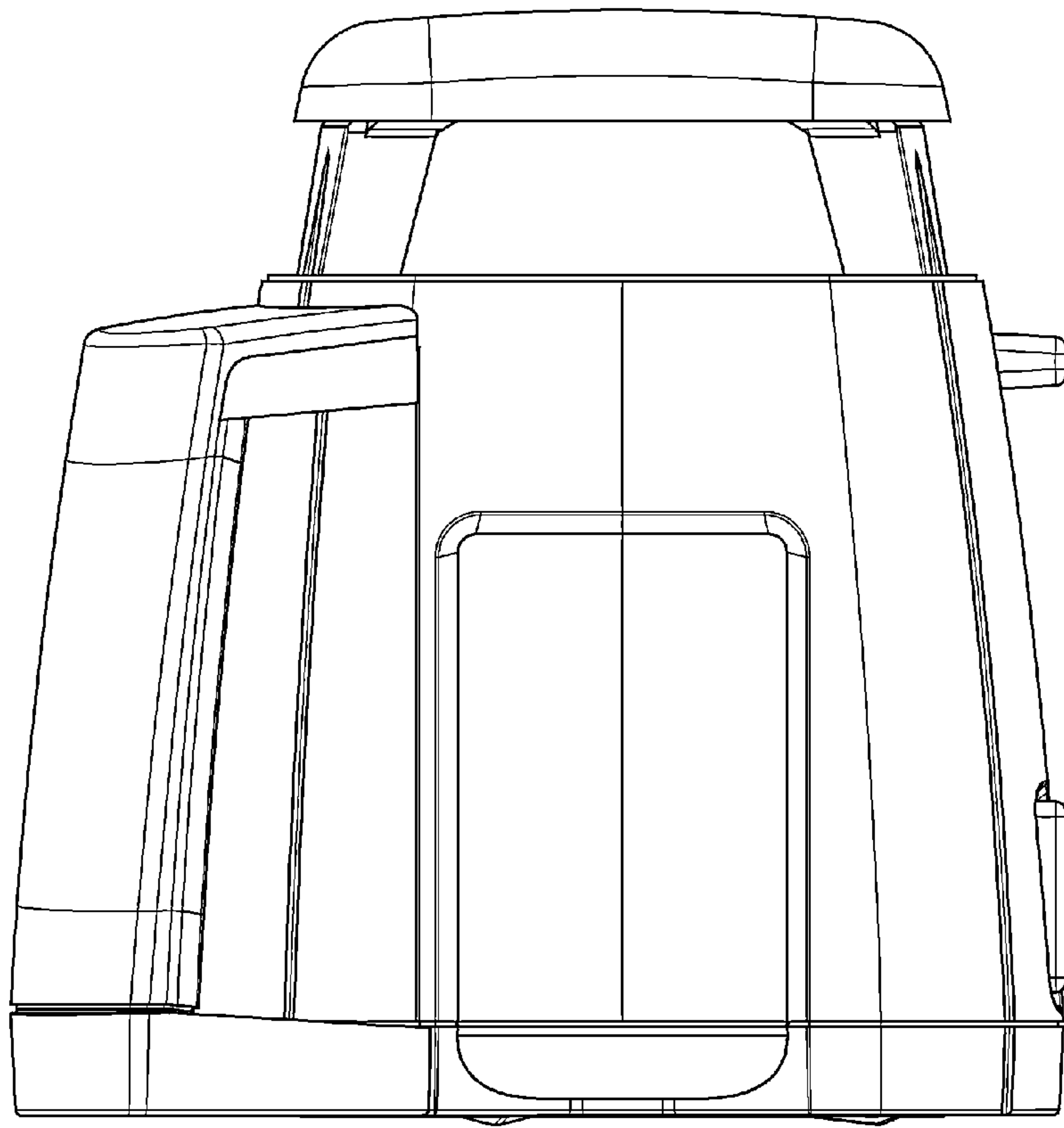


Fig. 4

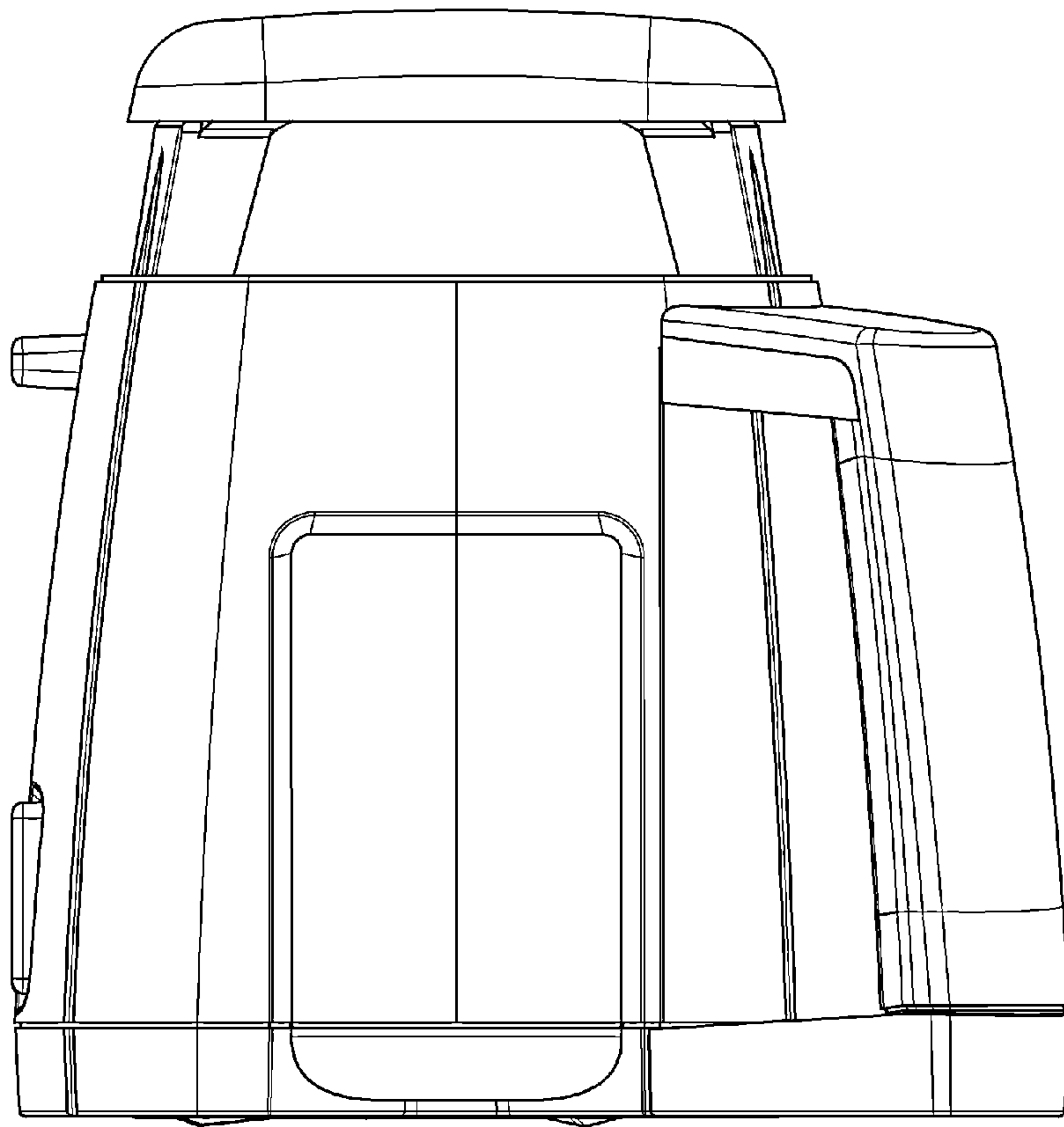


Fig. 5

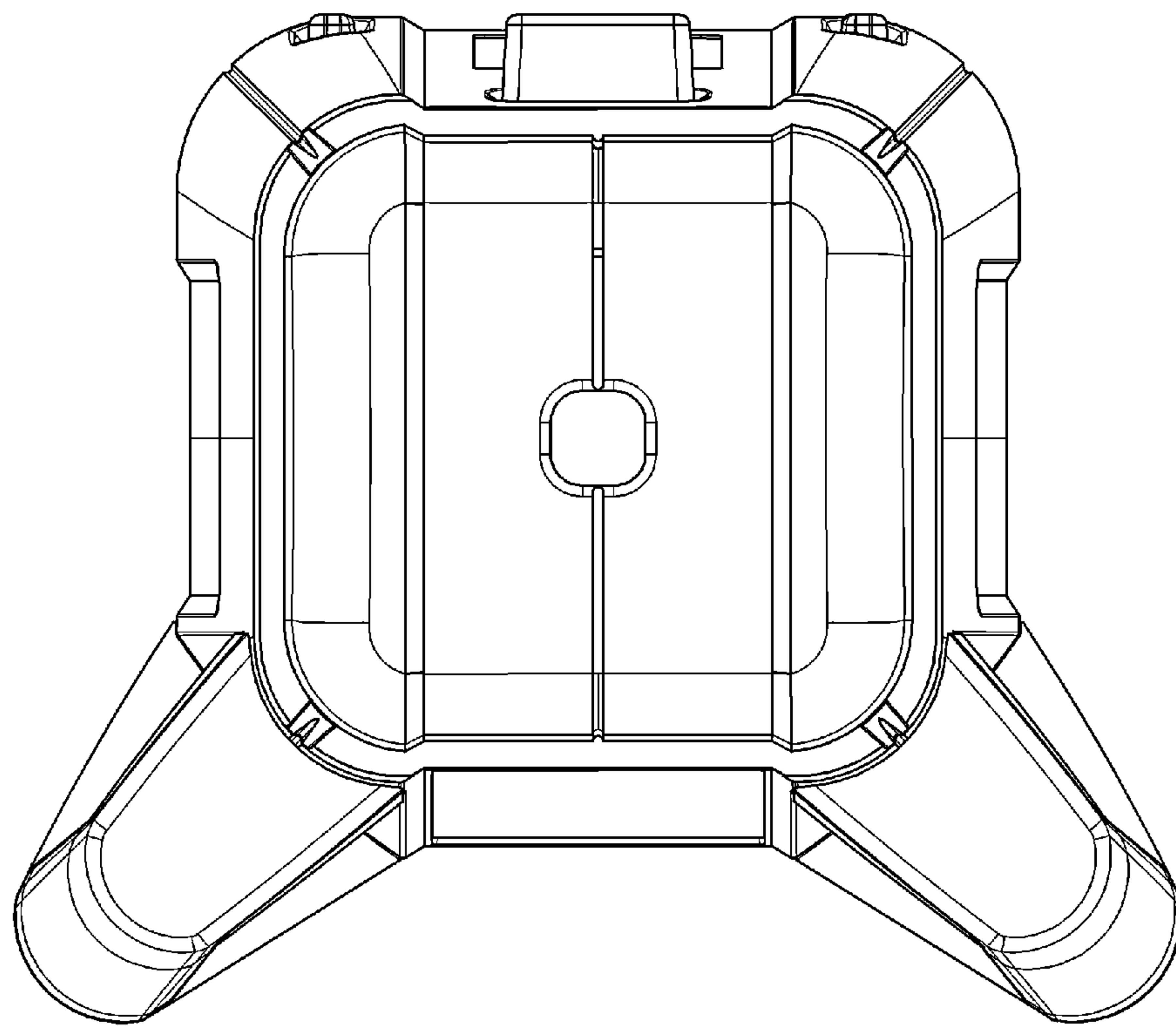


Fig. 6



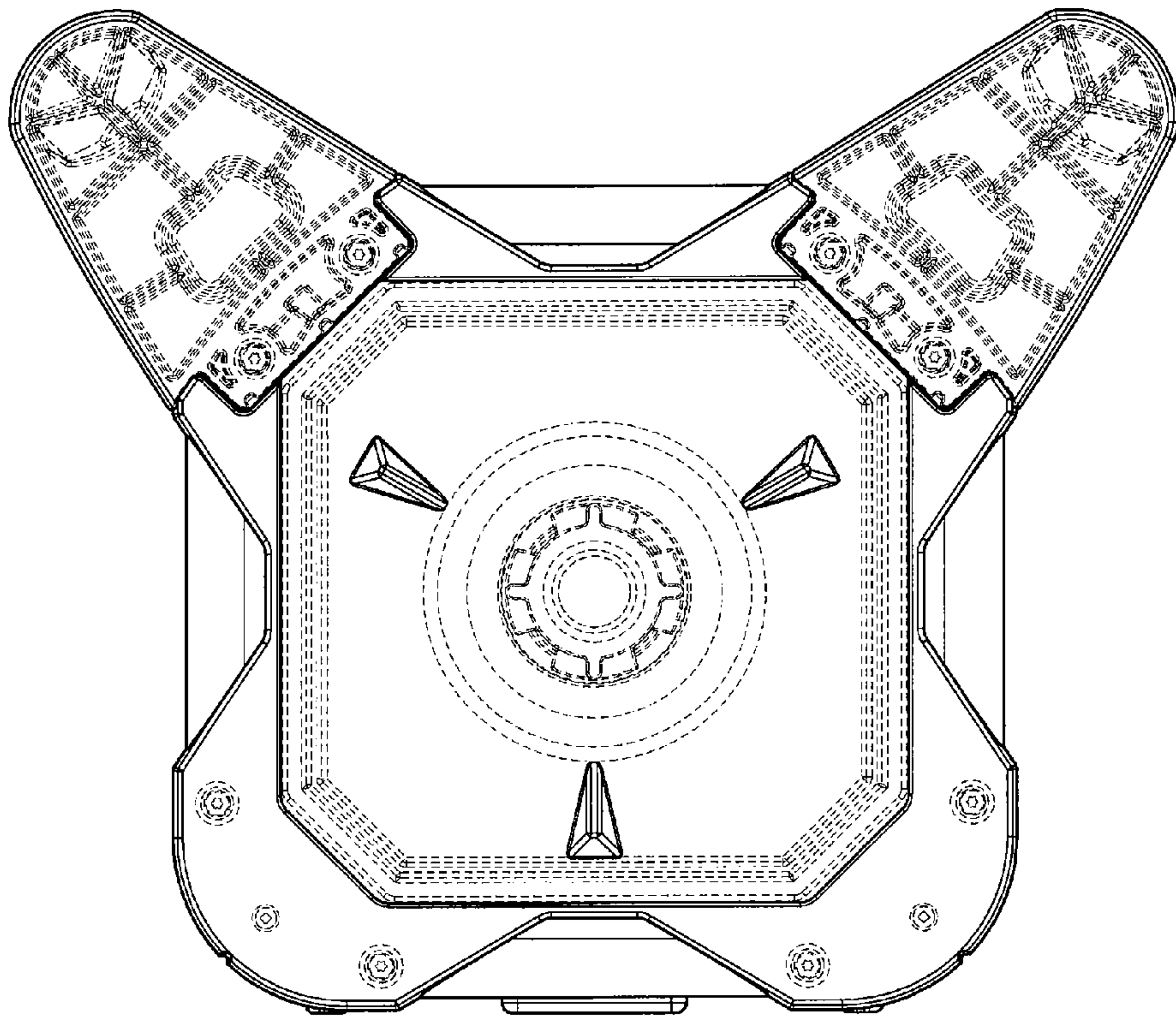


Fig. 7



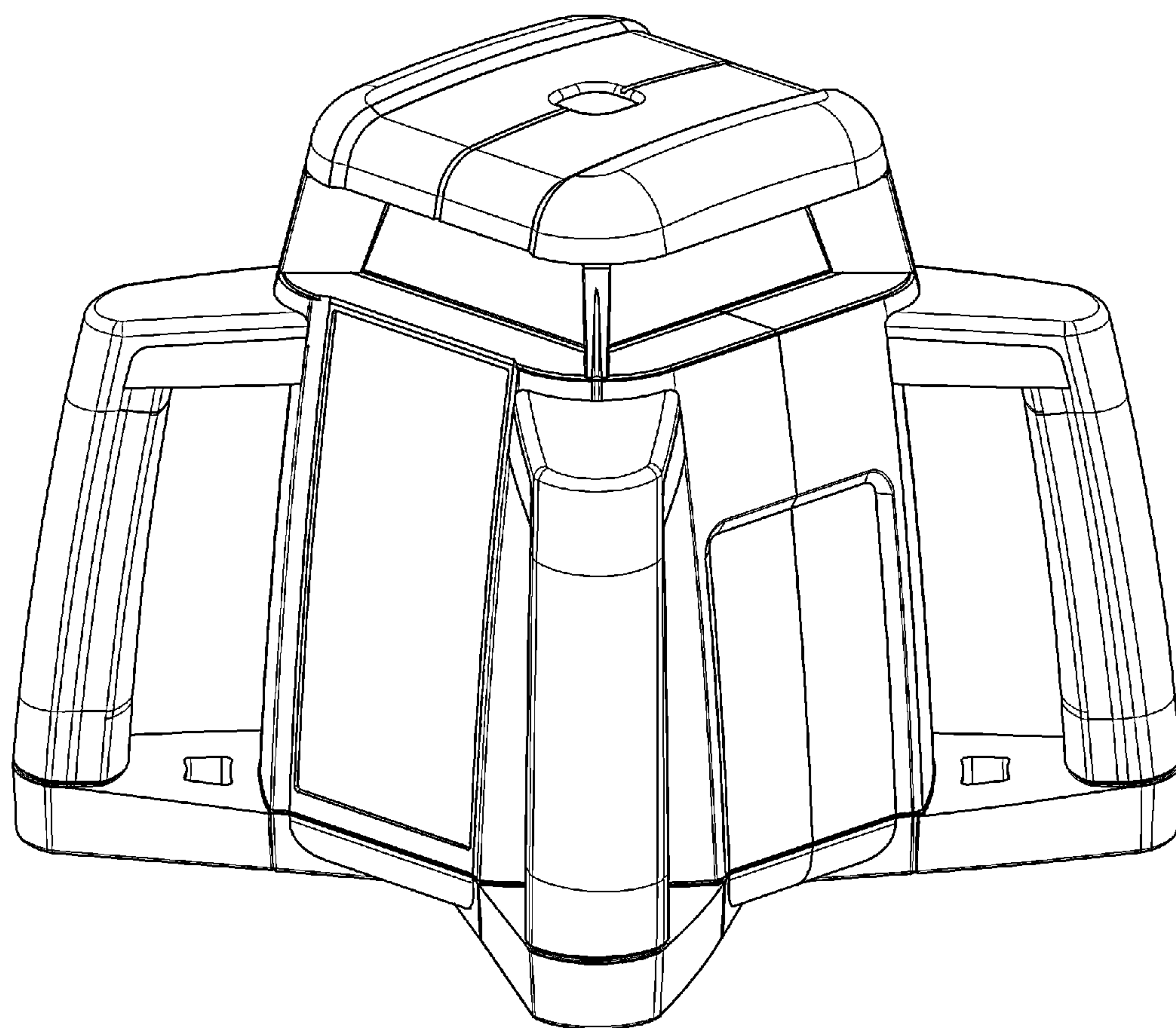


Fig. 8

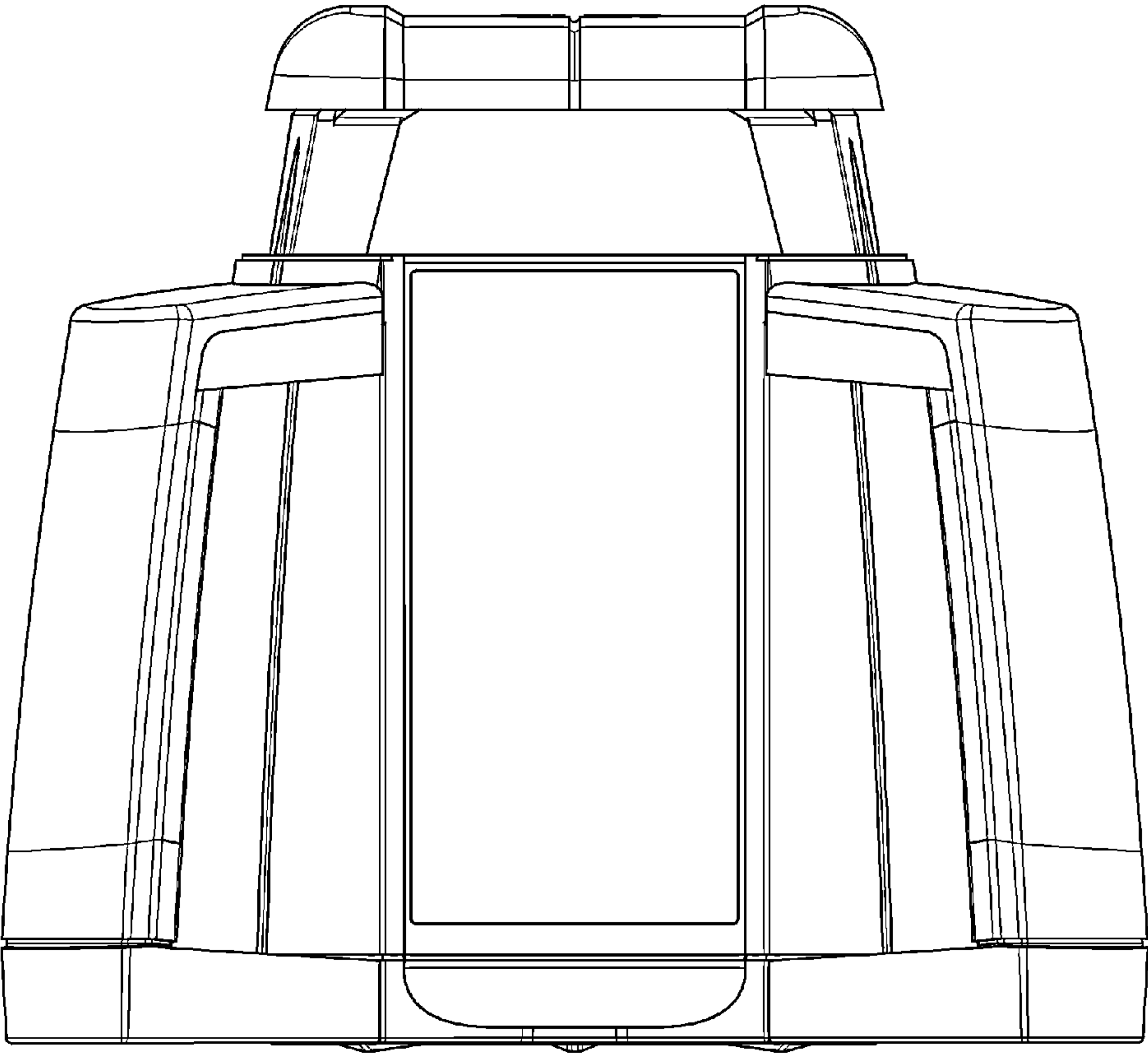


Fig. 9

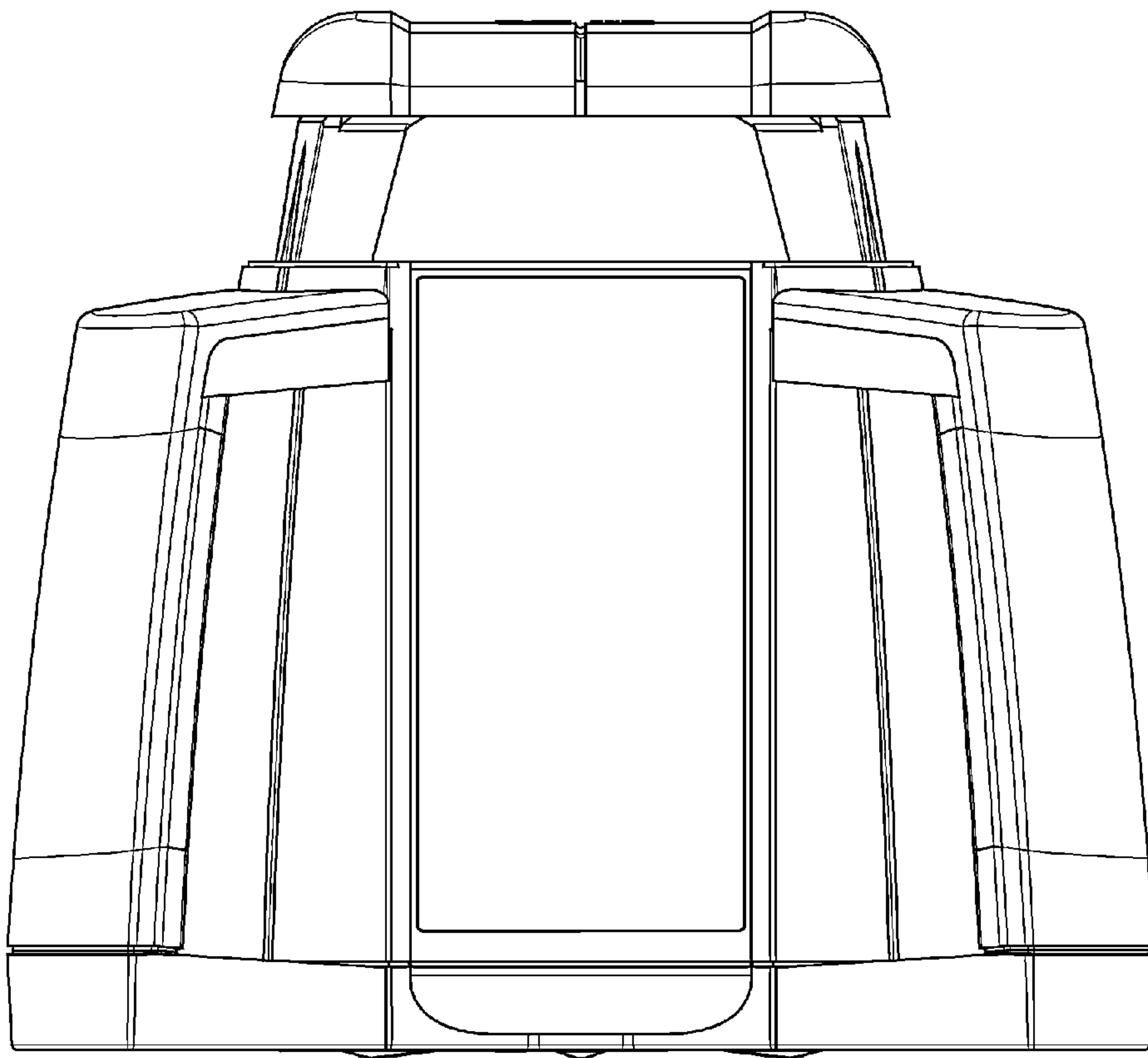


Fig. 10

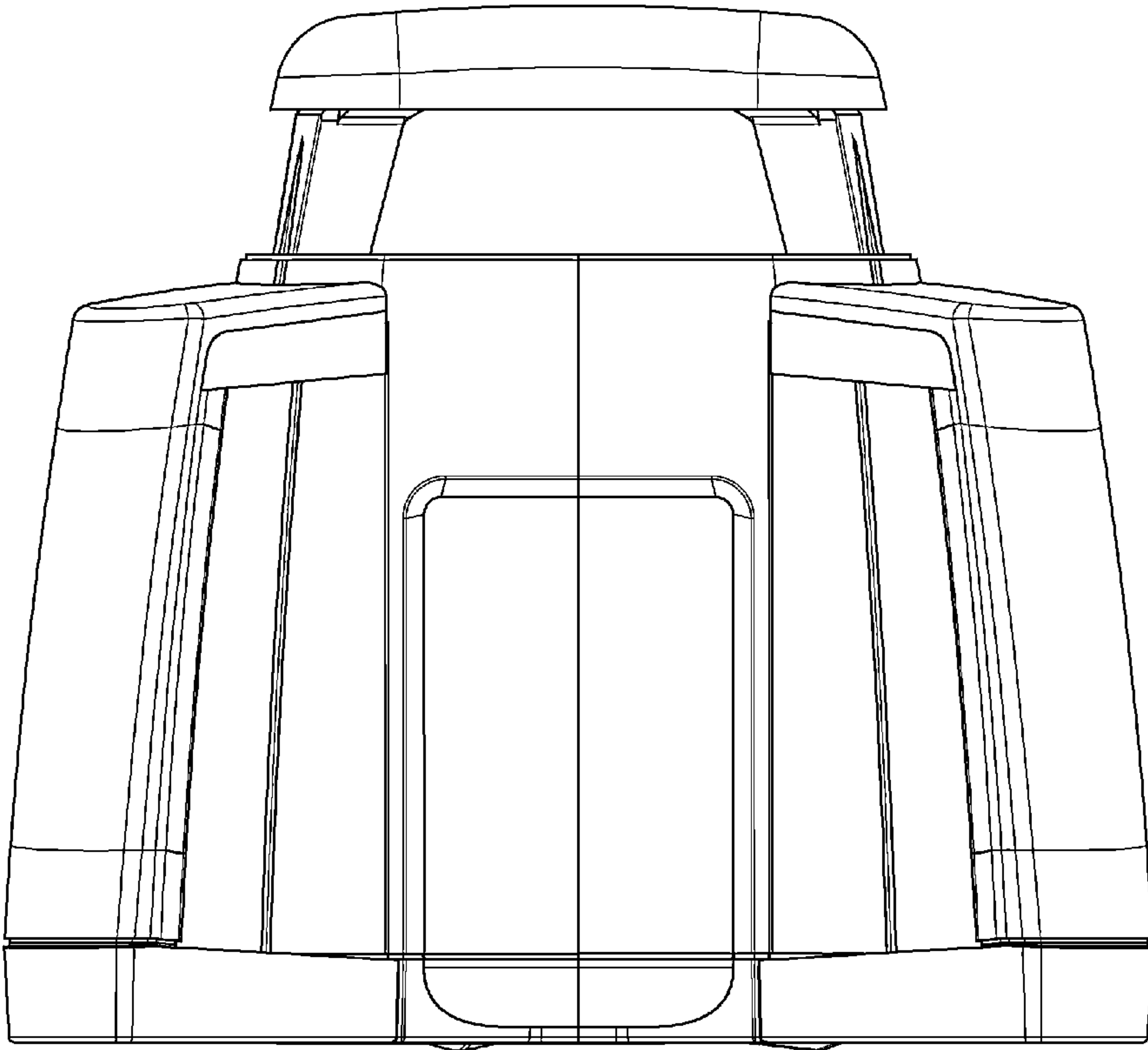


Fig. 11

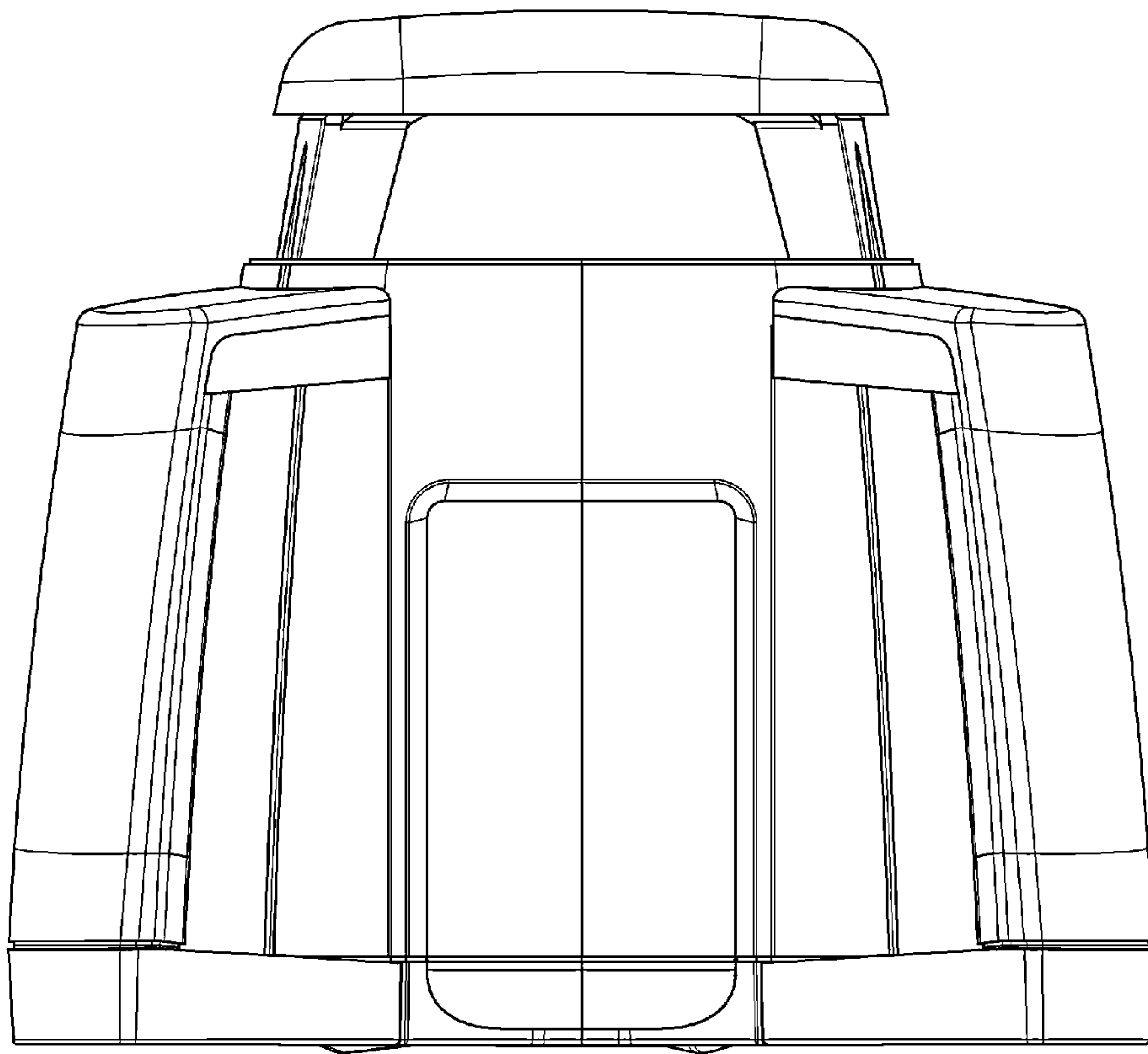


Fig. 12

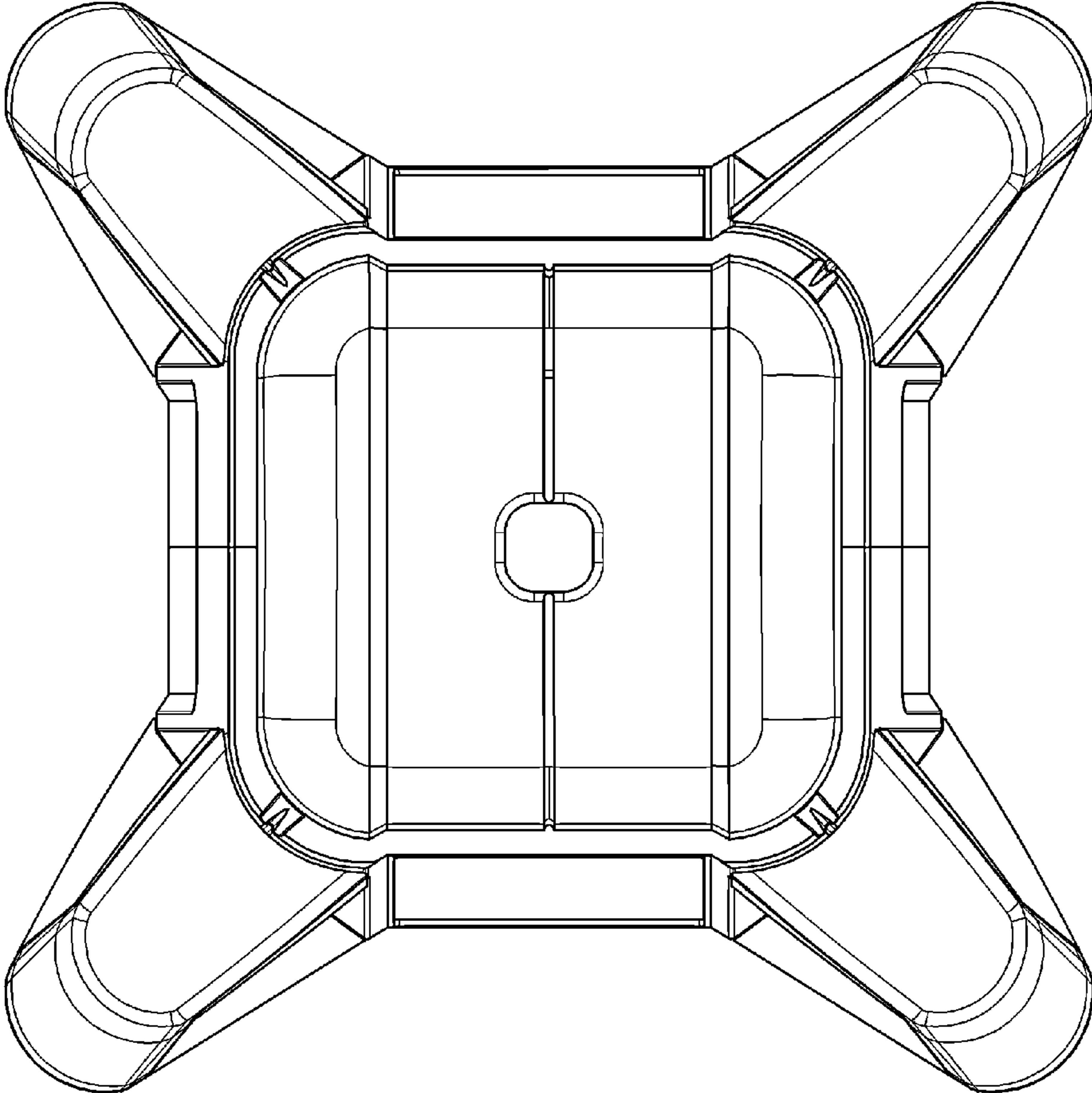


Fig. 13



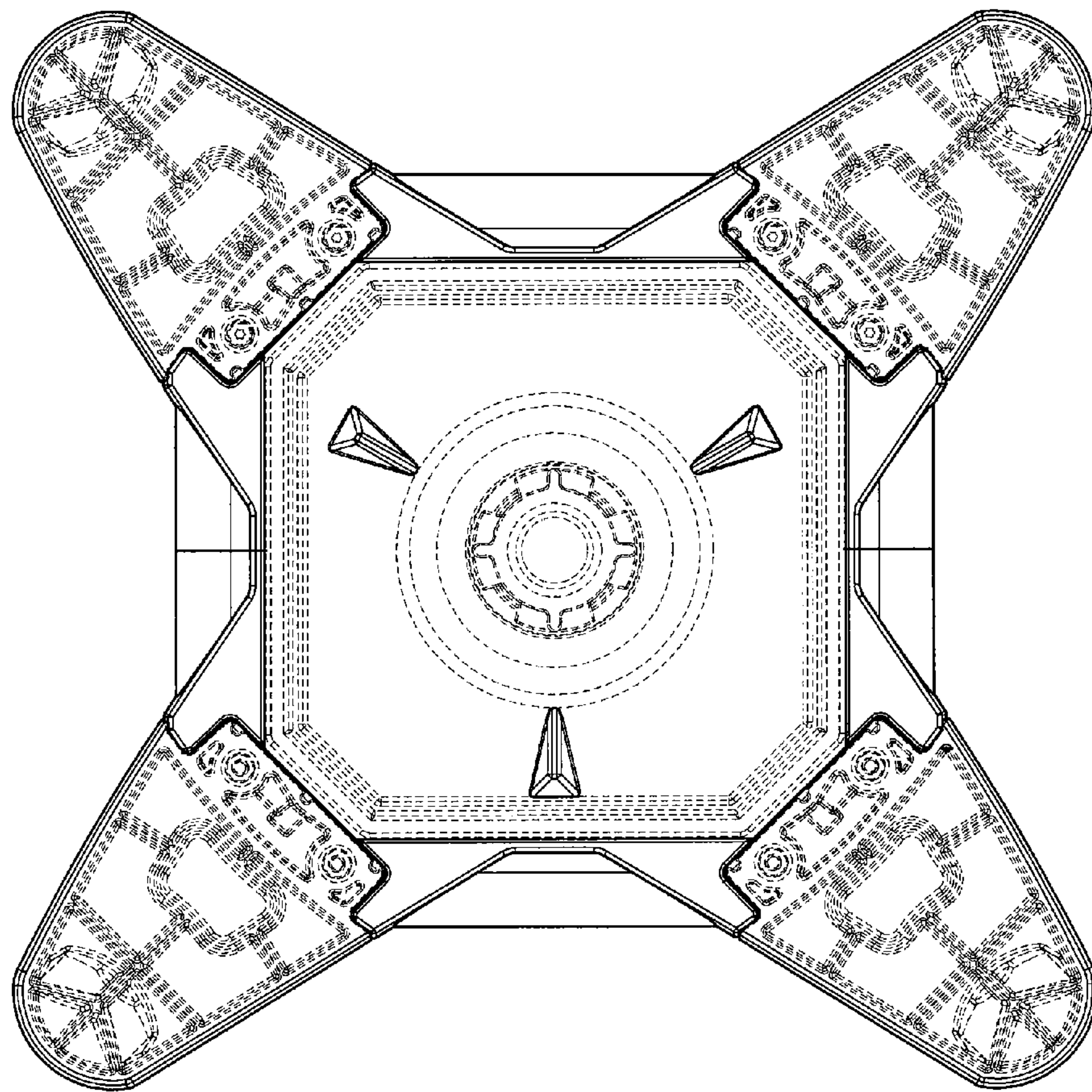


Fig. 14