

US00D692325S

(12) **United States Design Patent**
Meyer

(10) **Patent No.:** **US D692,325 S**
(45) **Date of Patent:** **** Oct. 29, 2013**

(54) **HUMIDITY SENSOR**

(75) Inventor: **Michael Meyer**, Schwaikheim (DE)

(73) Assignee: **Alfred Kaercher GmbH & Co. KG**,
Winnenden (DE)

(**) Term: **14 Years**

(21) Appl. No.: **29/426,956**

(22) Filed: **Jul. 12, 2012**

(30) **Foreign Application Priority Data**

Jan. 18, 2012 (WO) DM/077524

(51) **LOC (9) Cl.** **10-04**

(52) **U.S. Cl.**
USPC **D10/56; D10/53; D10/40**

(58) **Field of Classification Search**
USPC D10/52, 53, 56, 40; 73/23.2, 23.4,
73/29.01, 31.01, 31.05, 73-75, 170.16,
73/170.17, 170.21, 170.26, 335.04;
200/61.04, 38 R, 38 D, 38 DA, 38 A,
200/38 F; 324/664, 658, 694; 338/35;
340/500, 501, 506, 517, 521, 539.11,
340/539.26, 539.27, 539.28, 545.2, 546,
340/577, 580, 584, 586, 601-605; 702/150;
D13/139.4; D23/233, 245, 246;
368/97-123, 276-278, 285, 10, 316,
368/317; 700/284; 361/196; 251/30.05;
239/69; 222/20; 137/141, 141.4
See application file for complete search history.

(56) **References Cited**

U.S. PATENT DOCUMENTS

2,478,702 A 8/1949 Moody
2,846,119 A 8/1958 Robbins
D191,294 S 9/1961 Charnota et al.
3,097,762 A 7/1963 Charnota et al.

3,187,943 A 6/1965 Wolf
D208,451 S 8/1967 Anesi
3,473,695 A 10/1969 Anesi
D235,145 S 5/1975 Fernandez
3,915,185 A 10/1975 Sanner
3,921,667 A 11/1975 Corliss et al.
4,012,673 A 3/1977 Saarem et al.
D247,099 S * 1/1978 Schwartz D10/56
D247,702 S * 4/1978 Schwartz D10/56
D247,717 S 4/1978 Sturman et al.
4,108,419 A 8/1978 Sturman et al.
D249,654 S * 9/1978 Shaper D10/56
4,114,647 A 9/1978 Sturman et al.
4,592,505 A 6/1986 Bruninga et al.
4,633,905 A 1/1987 Wang
D289,431 S 4/1987 Clivio et al.
4,708,264 A 11/1987 Bruninga
4,722,478 A 2/1988 Fletcher et al.
D299,517 S 1/1989 Vigneau
4,797,820 A 1/1989 Wilson et al.
4,807,664 A 2/1989 Wilson et al.
D511,696 S * 11/2005 Stekelenburg D10/40
D526,914 S * 8/2006 Holbein D10/56
D606,164 S 12/2009 Kawakami et al.

(Continued)

Primary Examiner — Antoine D Davis

(74) *Attorney, Agent, or Firm* — Lipsitz & McAllister, LLC

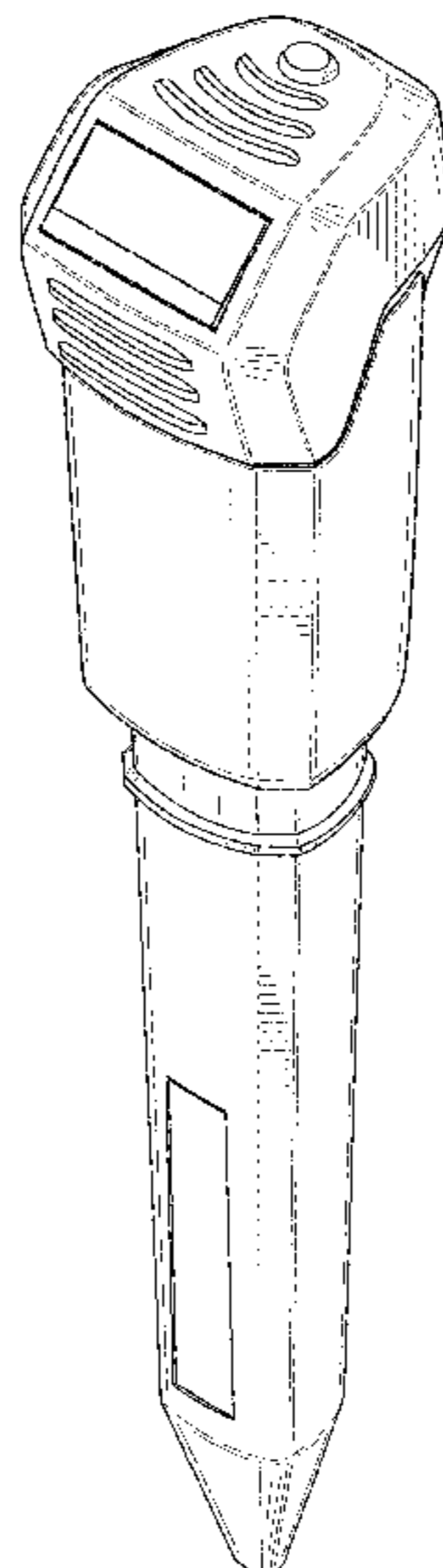
(57) **CLAIM**

The ornamental design for a humidity sensor, as shown and described.

DESCRIPTION

FIG. 1 is a front, top and left side perspective view of a humidity sensor showing my new design;
FIG. 2 is a front, top and right side perspective view thereof;
FIG. 3 is a front elevational view thereof;
FIG. 4 is a left side elevational view thereof;
FIG. 5 is a rear elevational view thereof;
FIG. 6 is a right side elevational view thereof; and,
FIG. 7 is a top plan view thereof.

1 Claim, 7 Drawing Sheets



US D692,325 S

Page 2

(56)

References Cited

U.S. PATENT DOCUMENTS

D632,596 S *	2/2011	Marsden et al.	D10/56	
D635,219 S	3/2011	Funari et al.			
D636,280 S *	4/2011	Fischer et al.	D10/56	
D632,596 S *	2/2011	Marsden et al.	D10/56	* cited by examiner

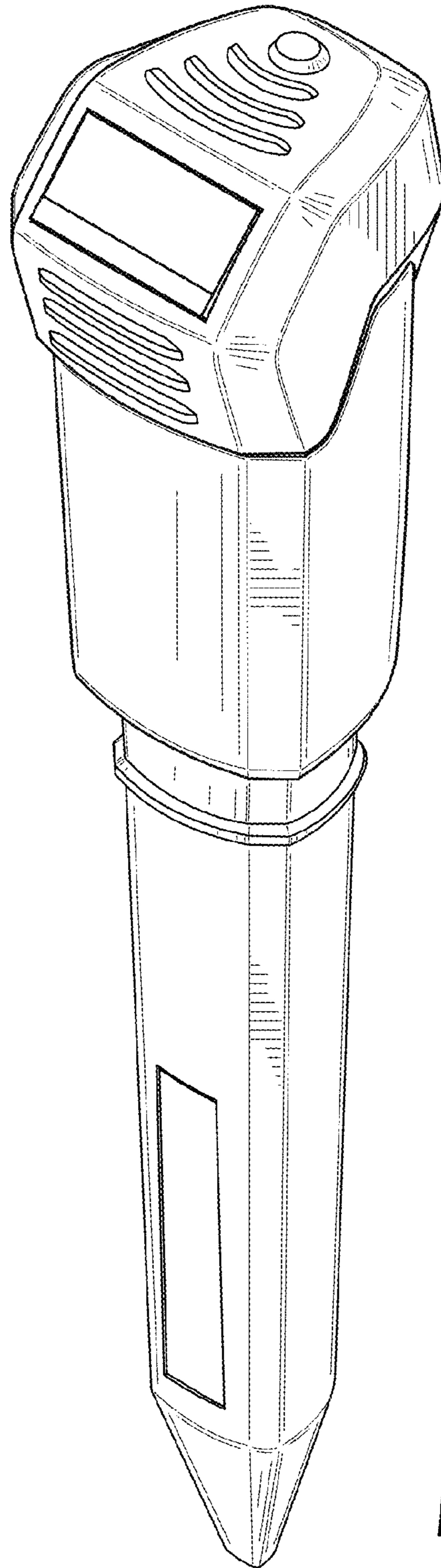


FIG. 1

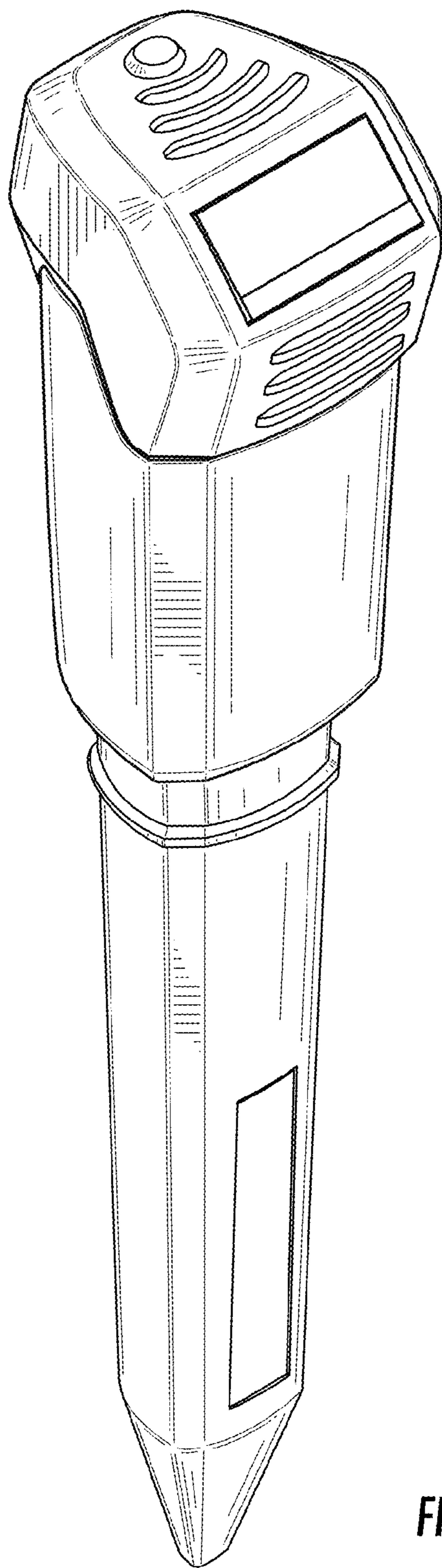


FIG. 2

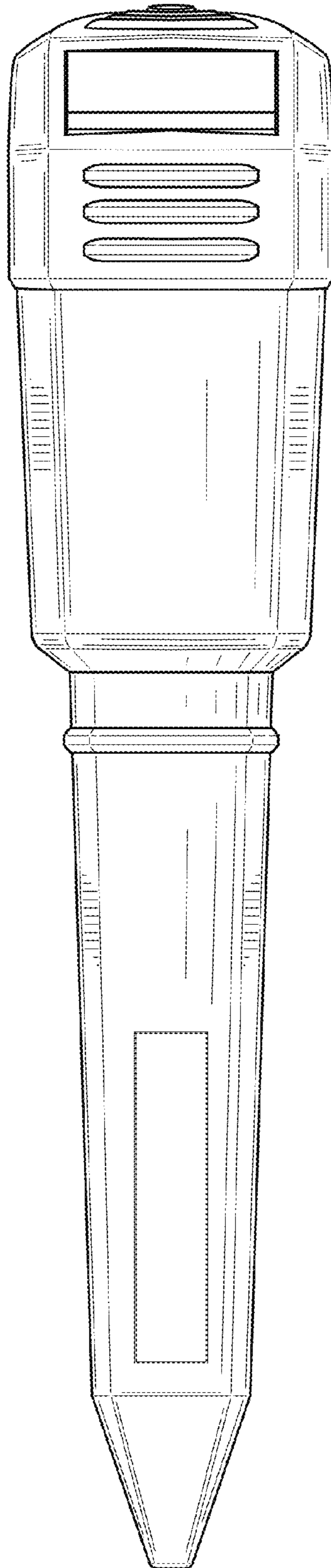


FIG. 3

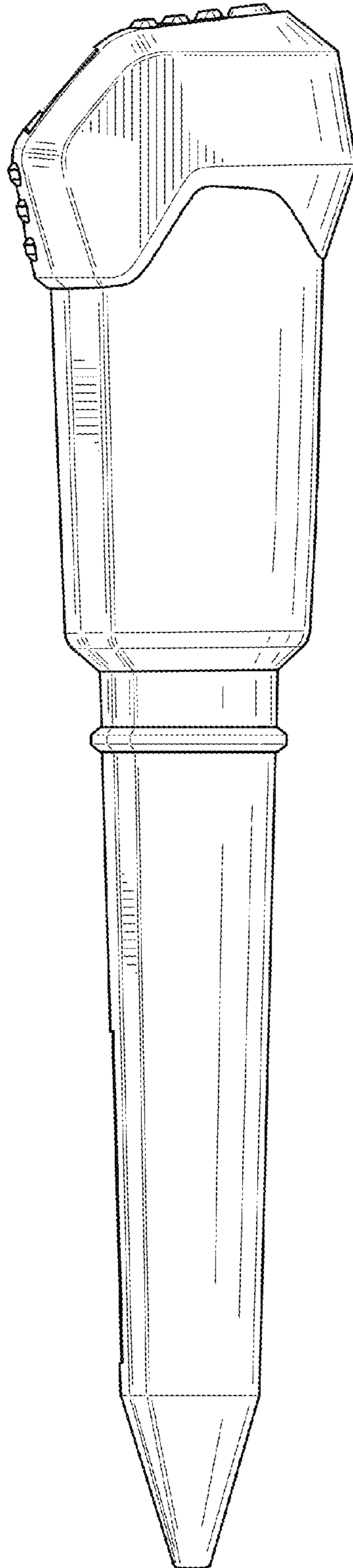


FIG. 4

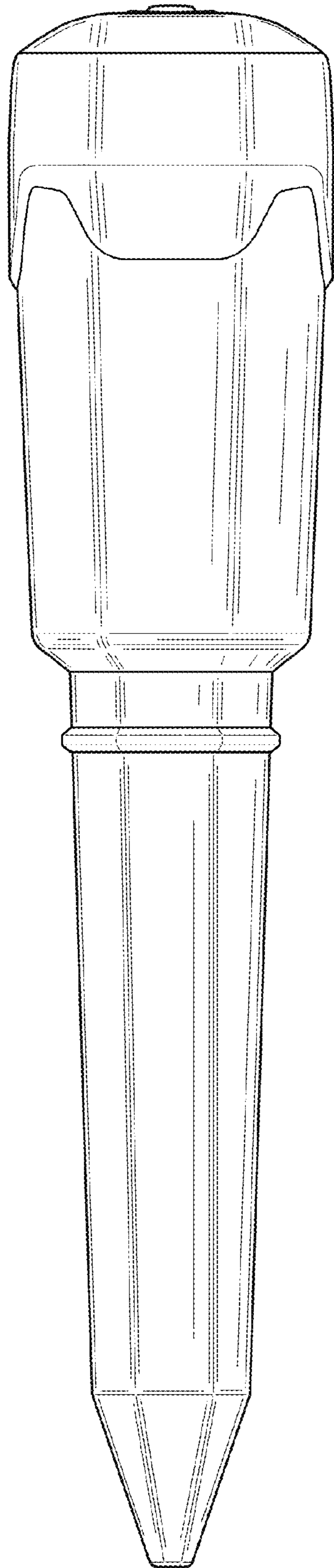


FIG. 5

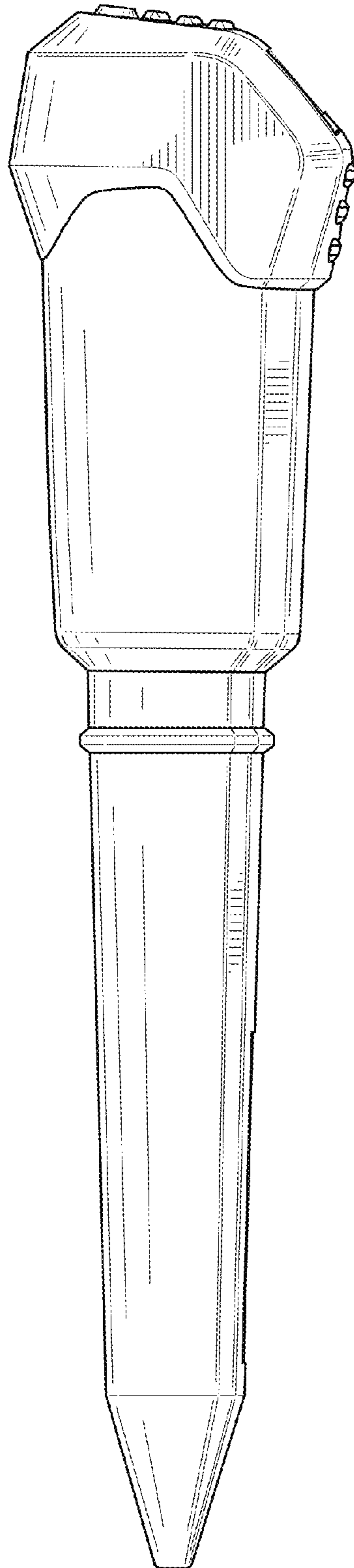


FIG. 6

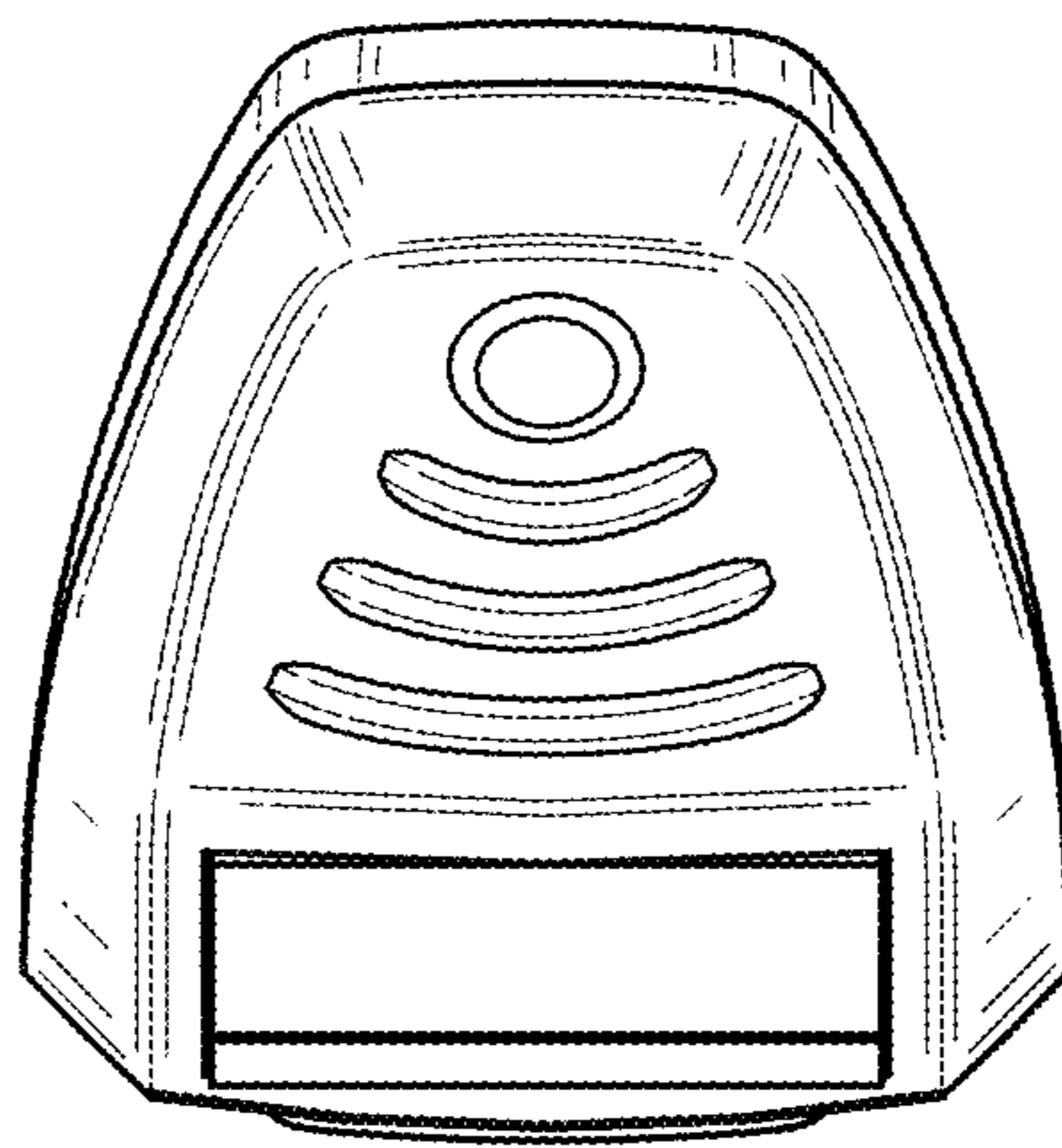


FIG. 7