



US00D692324S

(12) **United States Design Patent**  
**Wong**

(10) **Patent No.:** **US D692,324 S**

(45) **Date of Patent:** **\*\* \*Oct. 29, 2013**

(54) **SPOON**

(75) Inventor: **S. W. Alex Wong**, Hong Kong (HK)

(73) Assignee: **King's Flair Development Ltd.**, Hong Kong (HK)

(\*) Notice: This patent is subject to a terminal disclaimer.

(\*\*) Term: **14 Years**

(21) Appl. No.: **29/428,266**

(22) Filed: **Jul. 27, 2012**

(51) **LOC (9) Cl.** ..... **10-04**

(52) **U.S. Cl.**  
USPC ..... **D10/46.3**

(58) **Field of Classification Search**  
USPC ..... D7/691, 692, 643, 644, 653; D10/46.2, D10/46.3; 30/324-328; 73/426-429  
See application file for complete search history.

(56) **References Cited**

U.S. PATENT DOCUMENTS

3,526,138	A *	9/1970	Swett et al.	73/426
D450,605	S *	11/2001	Wright	D10/46.3
D582,798	S *	12/2008	Mantilla et al.	D10/46.3
D621,729	S *	8/2010	Blust et al.	D10/46.3
D624,836	S *	10/2010	Blust et al.	D10/46.3

\* cited by examiner

*Primary Examiner* — Terry Wallace

(74) *Attorney, Agent, or Firm* — Wendy K. Marsh

(57) **CLAIM**

The ornamental design for a spoon, as shown and described.

**DESCRIPTION**

FIG. 1 is a perspective view of the spoon showing my new design.

FIG. 2 is a front elevation view thereof.

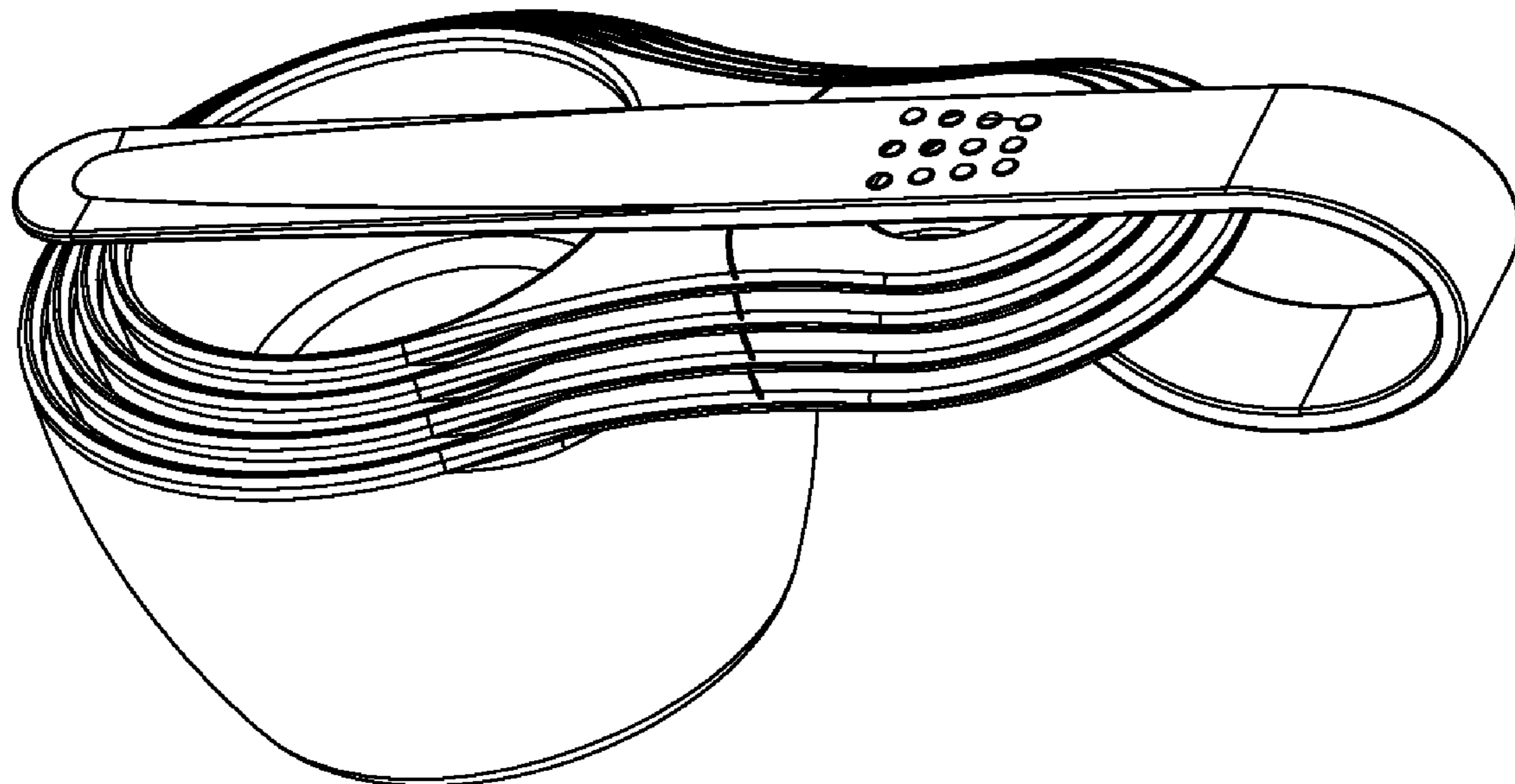
FIG. 3 is a bottom plan view thereof.

FIG. 4 is a top plan view thereof; and,

FIG. 5 is a cross section view thereof taken along line 5-5 of FIG. 4.

The hatch marks in FIG. 5 depict cross-sectional interior portions of the design that form no part of the claimed design.

**1 Claim, 5 Drawing Sheets**



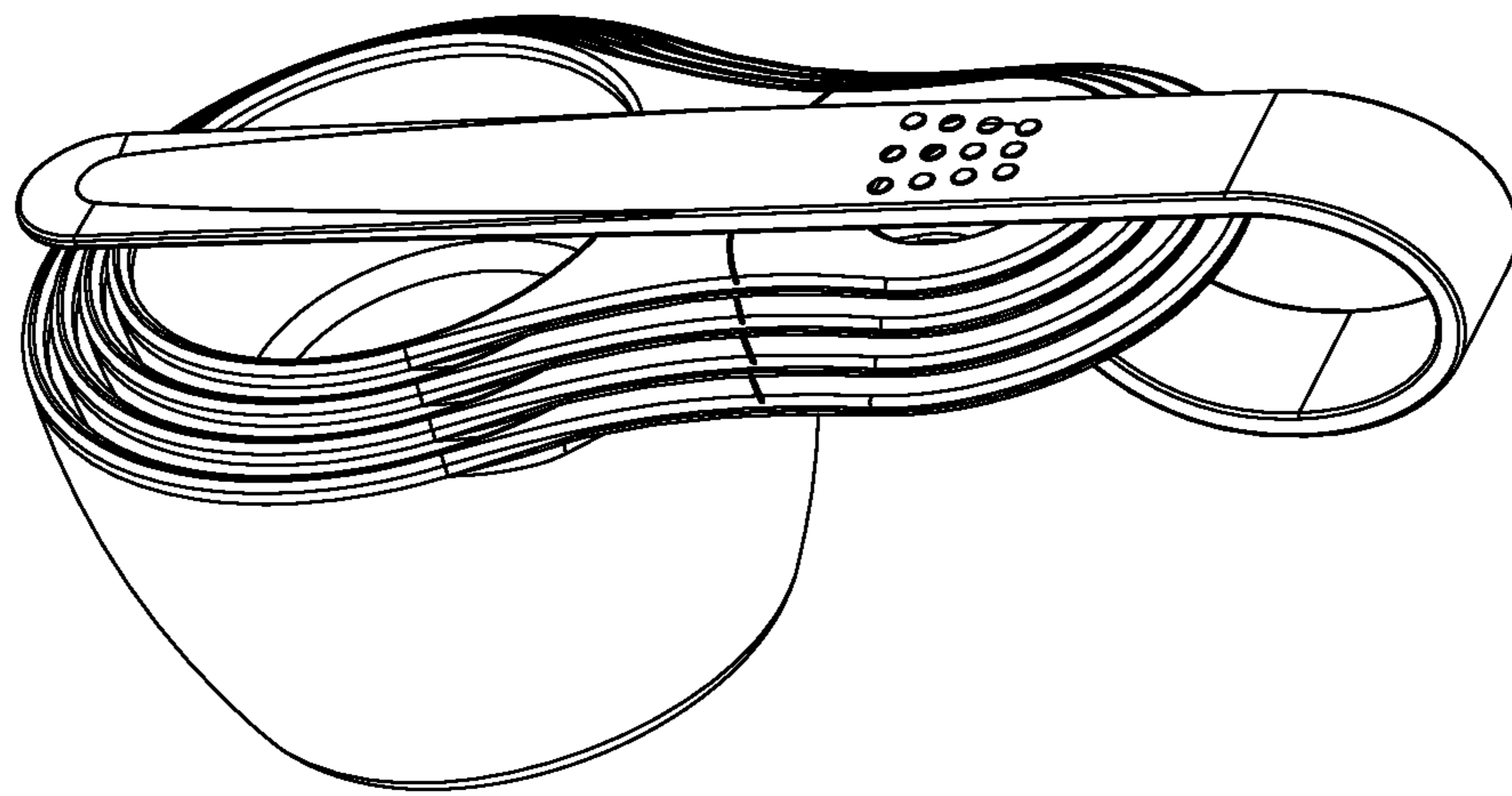


Fig. 1

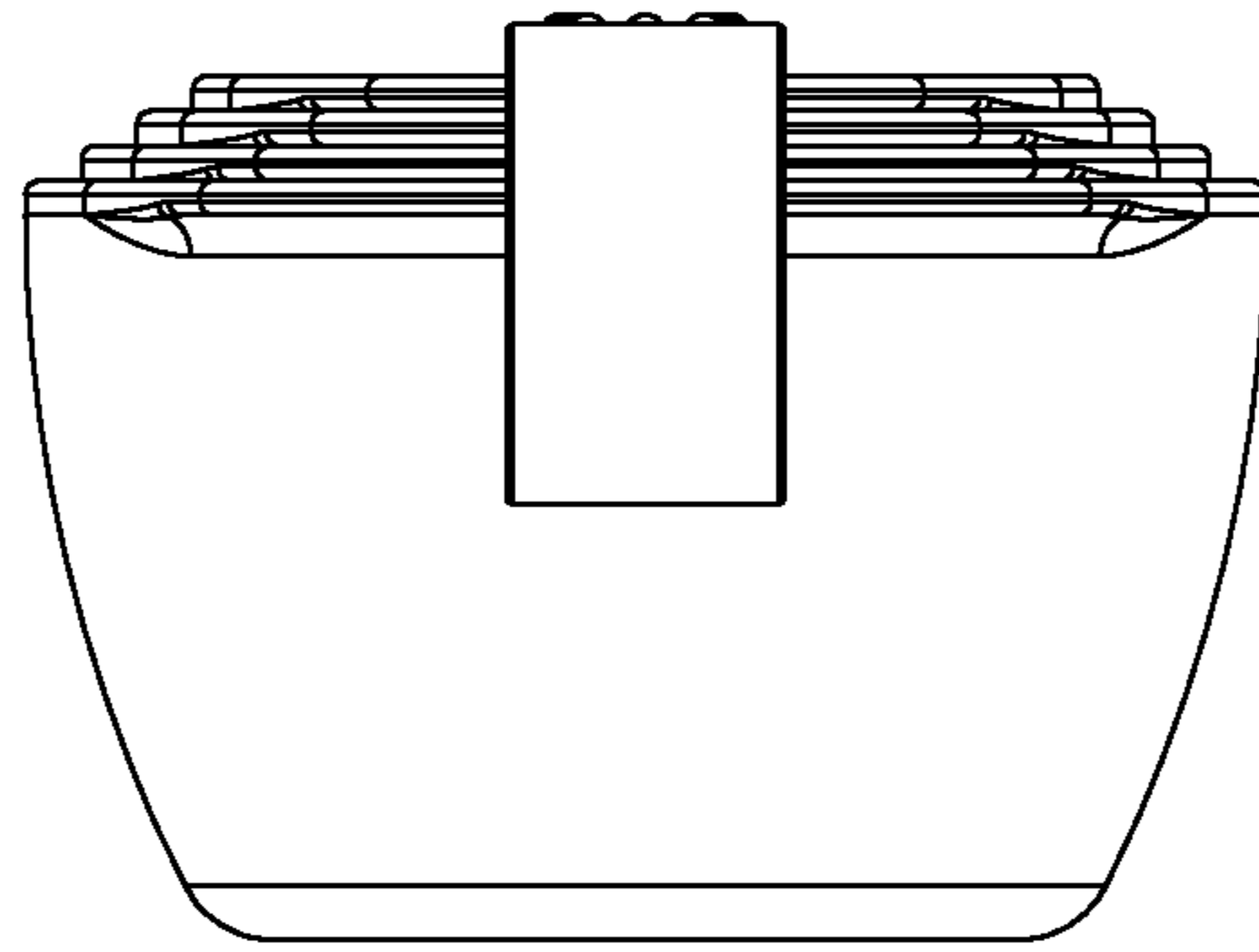


Fig. 2

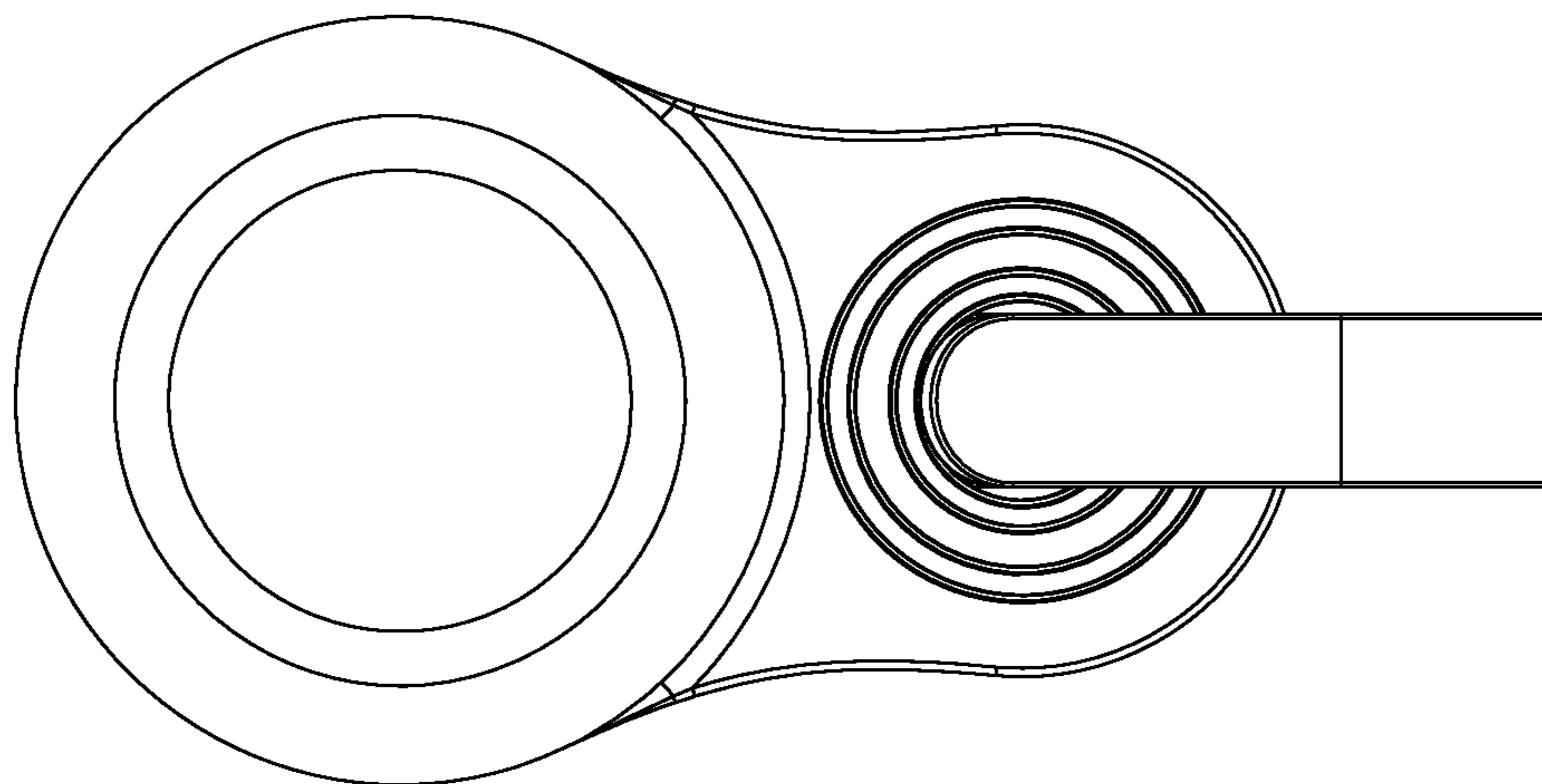


Fig. 3

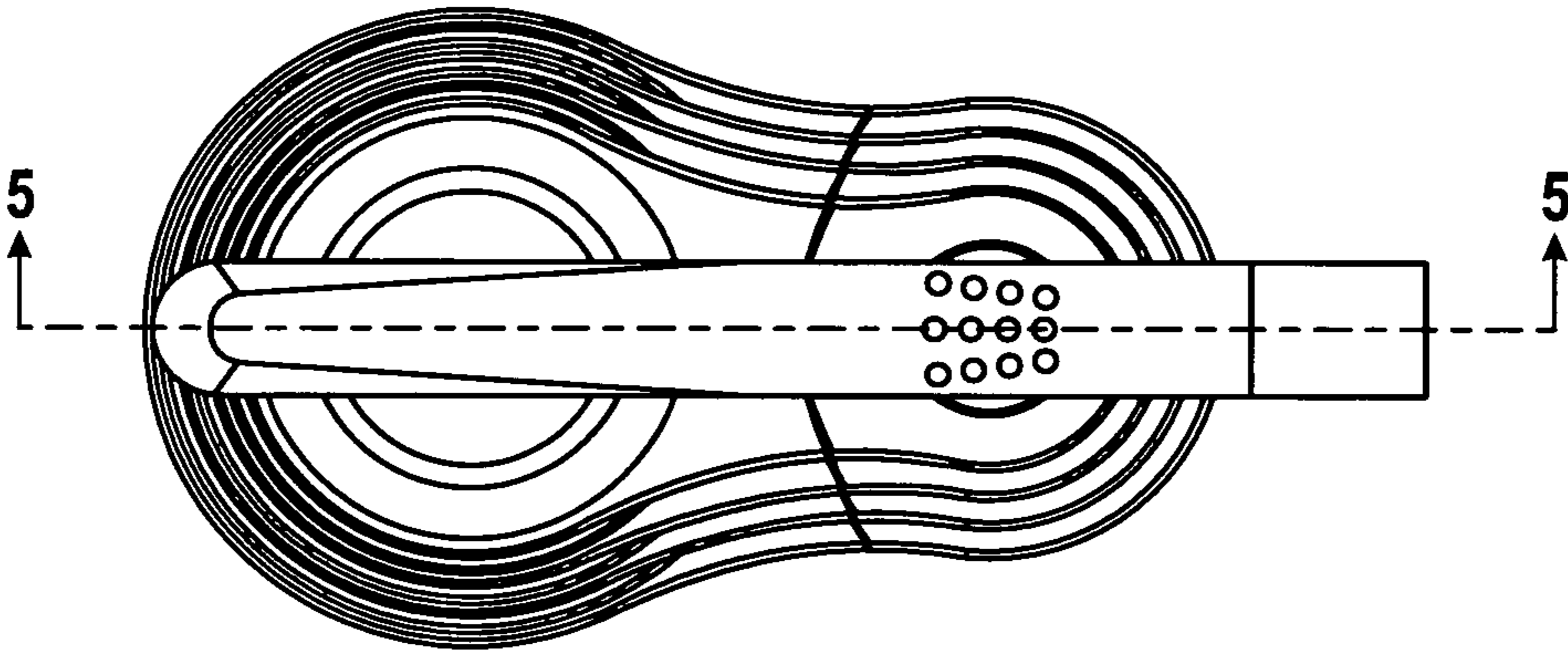


Fig. 4

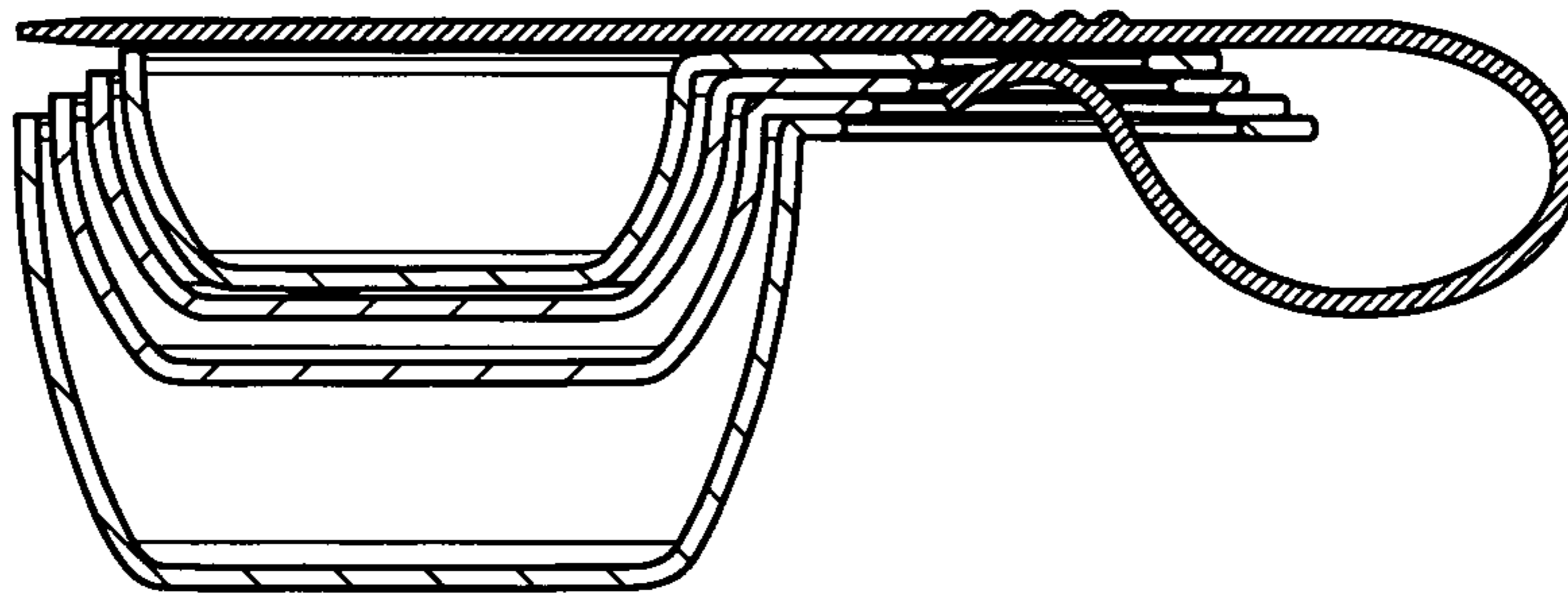


Fig. 5