



US00D692323S

(12) **United States Design Patent**
Mille

(10) **Patent No.:** **US D692,323 S**

(45) **Date of Patent:** **** Oct. 29, 2013**

(54) **WATCH**

(71) Applicant: **Turlen Holding SA**, Soyhieres (CH)

(72) Inventor: **Richard Mille**, Moulins (FR)

(73) Assignee: **Turlen Holding SA**, Soyhieres (CH)

(**) Term: **14 Years**

(21) Appl. No.: **29/453,144**

(22) Filed: **Apr. 25, 2013**

(30) **Foreign Application Priority Data**

Oct. 25, 2012 (WO) DM/079 390

(51) **LOC (9) Cl.** **10-02**

(52) **U.S. Cl.**
USPC **D10/39**

(58) **Field of Classification Search**
USPC D10/30-39, 122-132; 368/276, 281,
368/282, 223, 228, 232, 80
See application file for complete search history.

(56) **References Cited**

U.S. PATENT DOCUMENTS

2,035,976	A	*	3/1936	Mix	24/265	WS
D401,864	S	*	12/1998	Navera	D10/32	
D455,358	S	*	4/2002	Mauboussin	D10/32	
D456,274	S	*	4/2002	Mille	D10/30	
D545,695	S	*	7/2007	Laucella	D10/31	
D546,718	S	*	7/2007	Gruosi-Scheufele	D10/39	

D650,708	S	*	12/2011	Laucella	D10/39	
D658,514	S	*	5/2012	Mille	D10/39	
D658,515	S	*	5/2012	Mille	D10/39	
D658,516	S	*	5/2012	Mille	D10/39	
D660,184	S	*	5/2012	Calce	D10/32	
D664,047	S	*	7/2012	Mille	D10/39	
D673,868	S	*	1/2013	Mille	D10/39	
D679,199	S	*	4/2013	Mille	D10/39	

* cited by examiner

Primary Examiner — Lucy Lieberman

(74) *Attorney, Agent, or Firm* — Donald J. Ranft; Collen IP

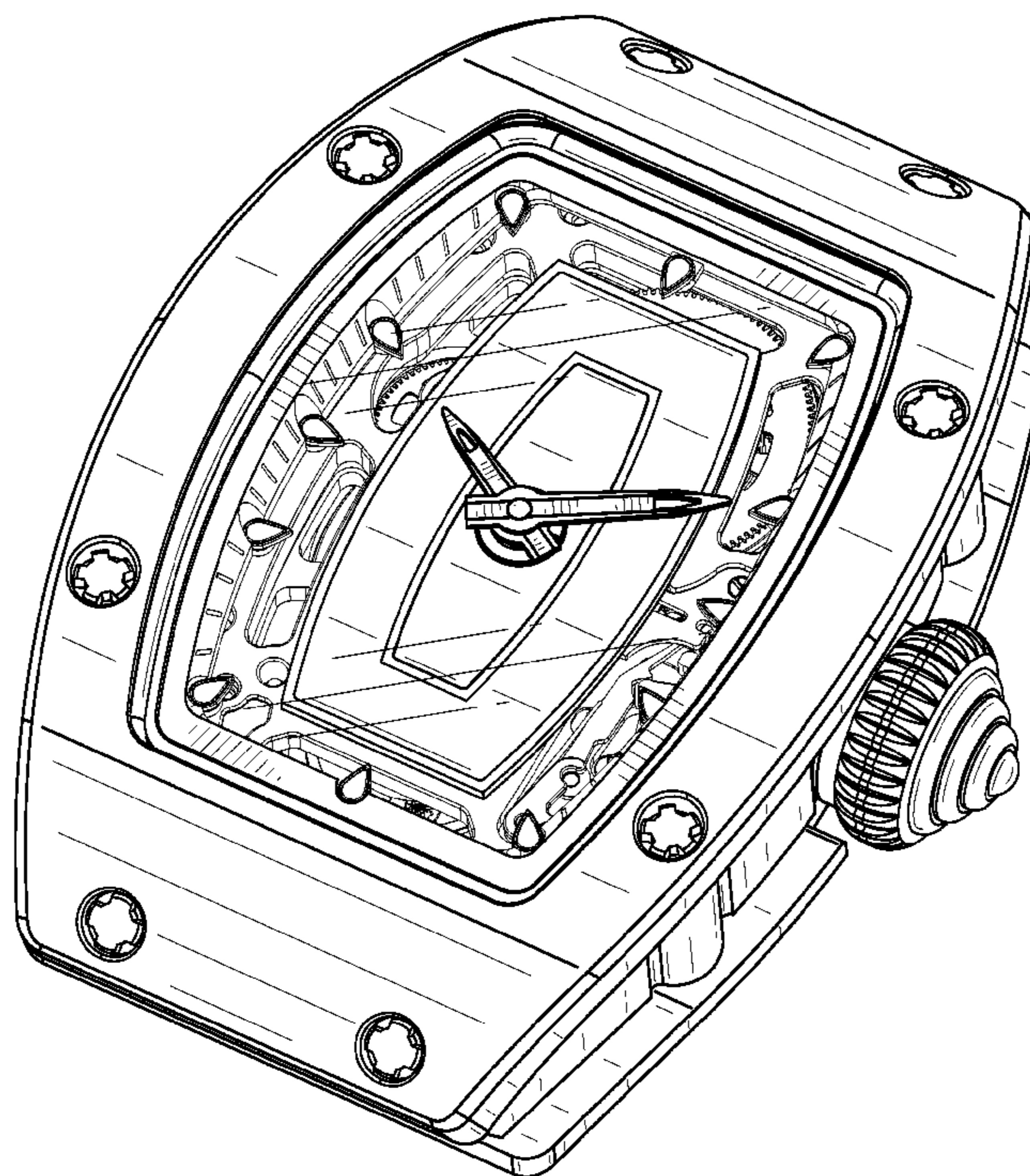
(57) **CLAIM**

The ornamental design for a watch, as shown.

DESCRIPTION

FIG. 1 is a front right perspective view of a watch showing my new design;
 FIG. 2 is a front upper left perspective view thereof;
 FIG. 3 is a front lower left perspective view thereof;
 FIG. 4 is a front lower right perspective view thereof;
 FIG. 5 is a rear upper right perspective view thereof;
 FIG. 6 is a rear lower right perspective view thereof;
 FIG. 7 is a rear lower left view thereof;
 FIG. 8 is a front view thereof;
 FIG. 9 is a rear view thereof;
 FIG. 10 is a left side view thereof;
 FIG. 11 is a right side view thereof;
 FIG. 12 is a top view thereof; and,
 FIG. 13 is a bottom view thereof.

1 Claim, 11 Drawing Sheets



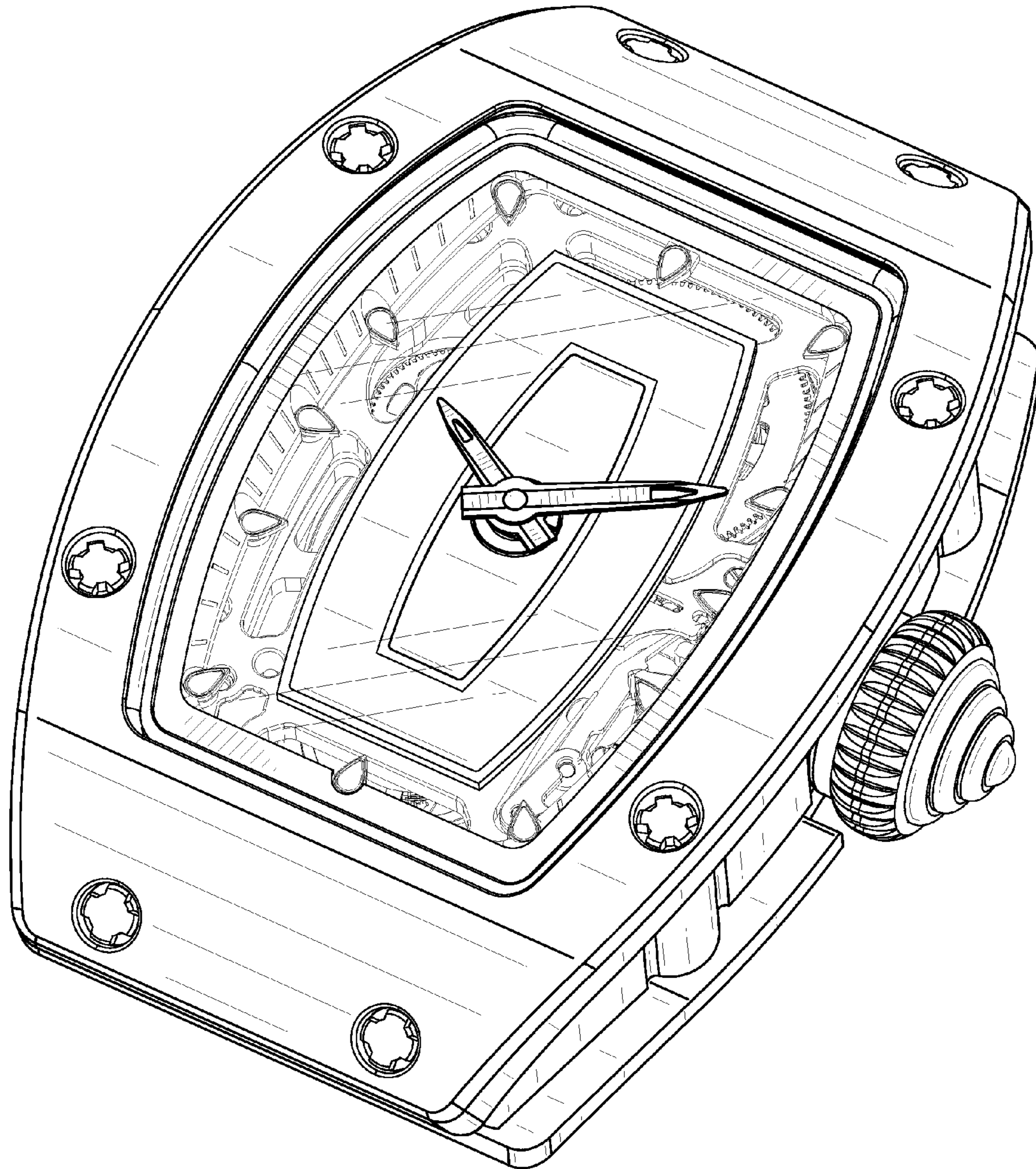


FIG. 1

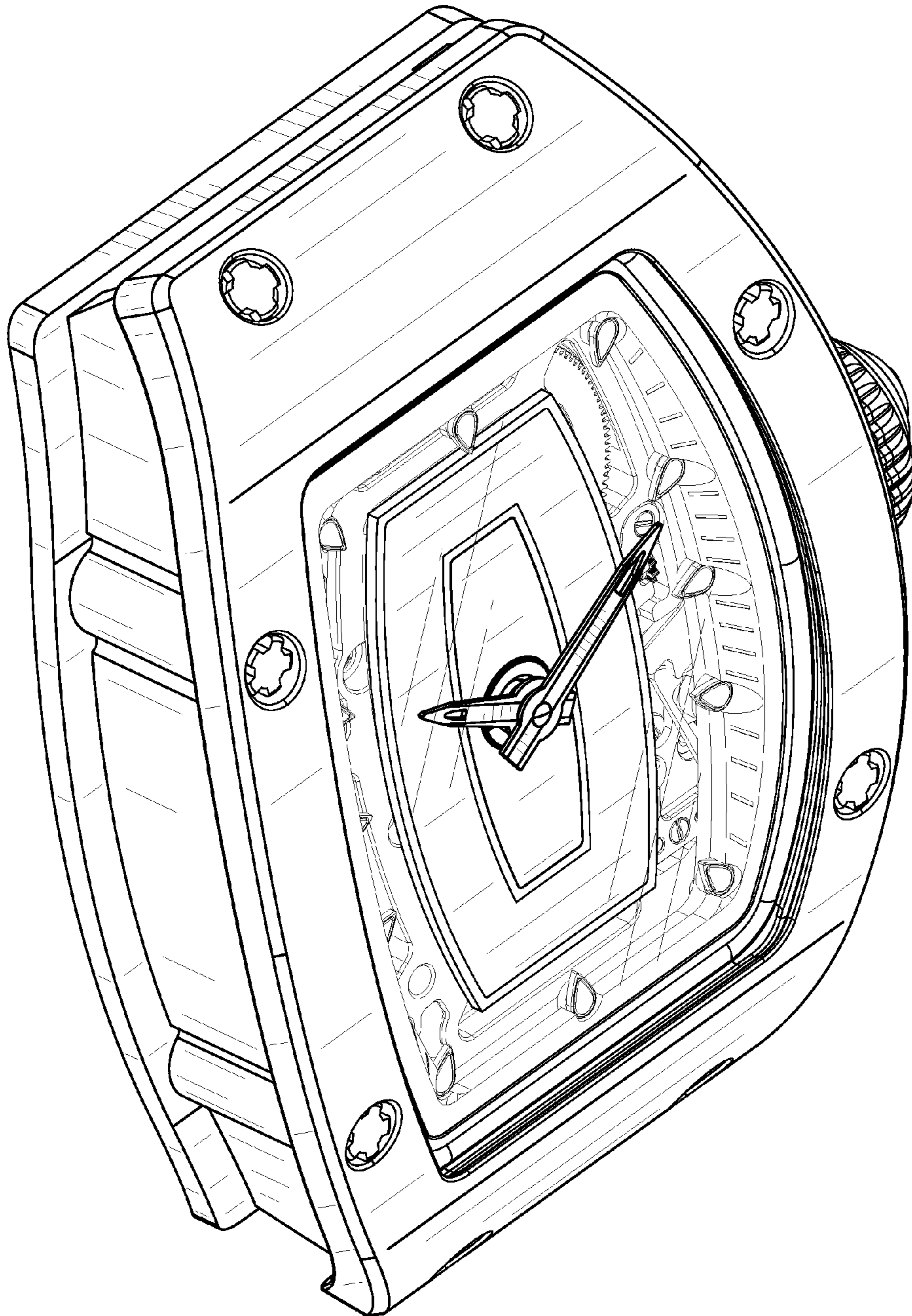


FIG. 2

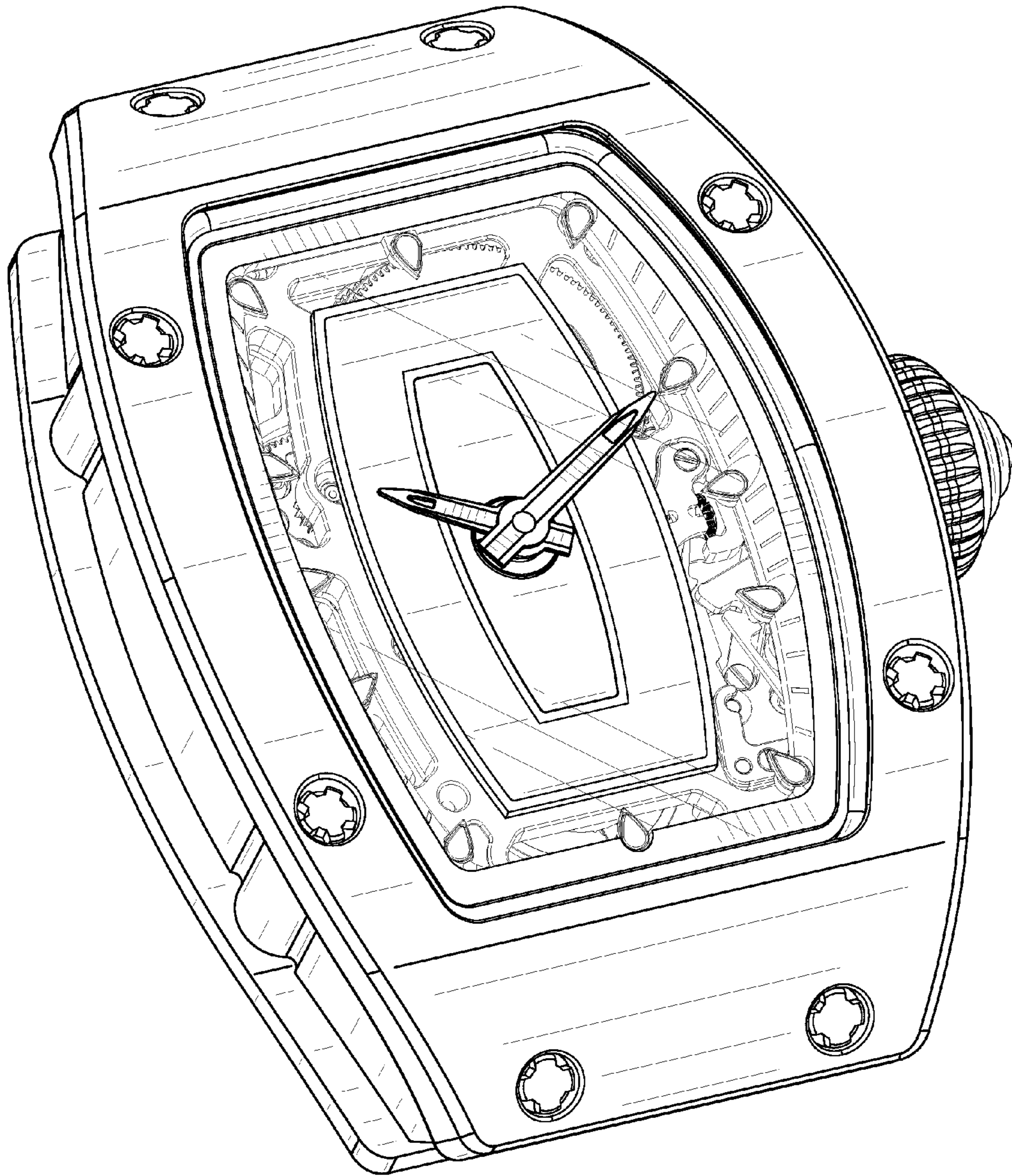


FIG. 3

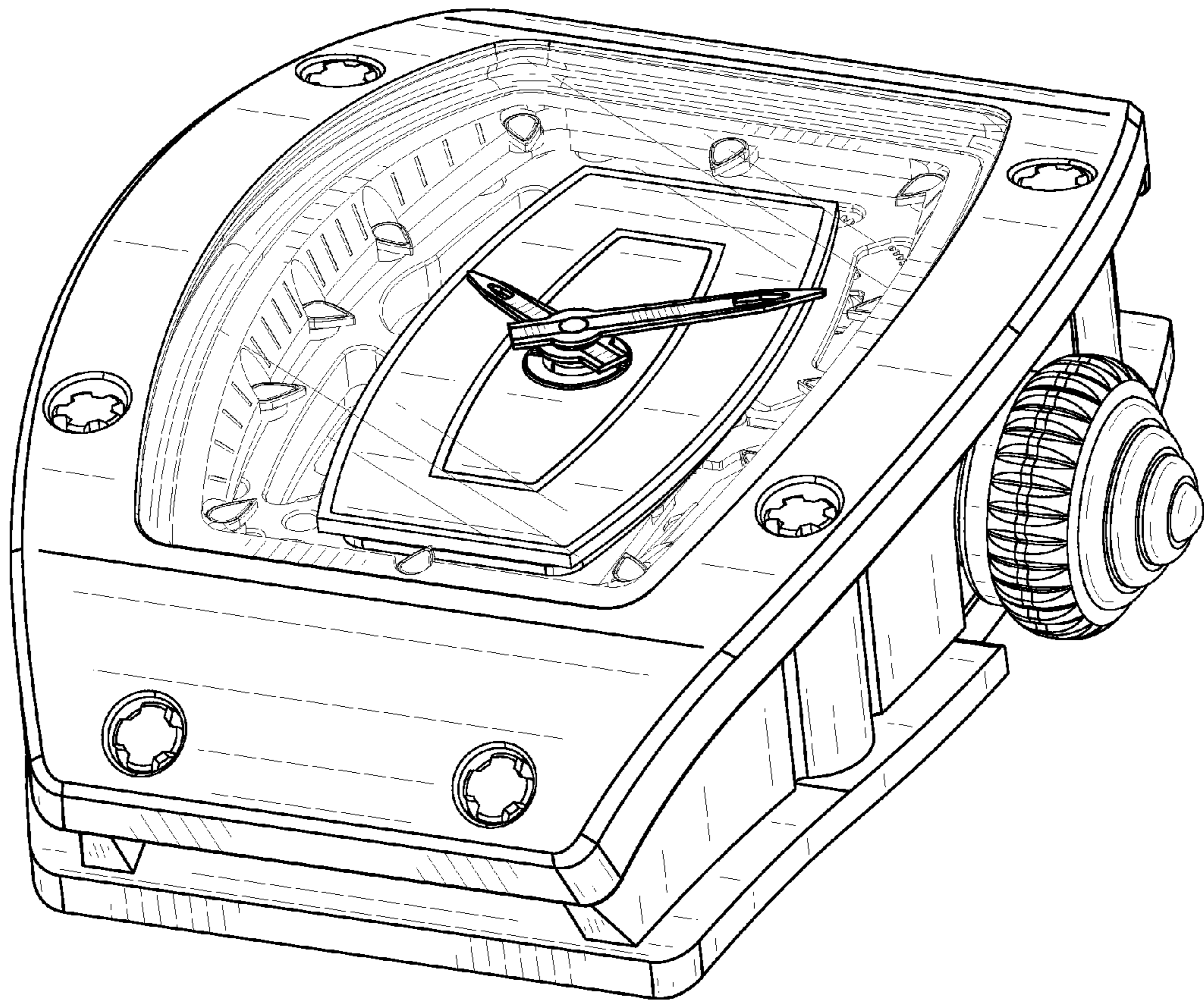


FIG. 4



FIG. 5

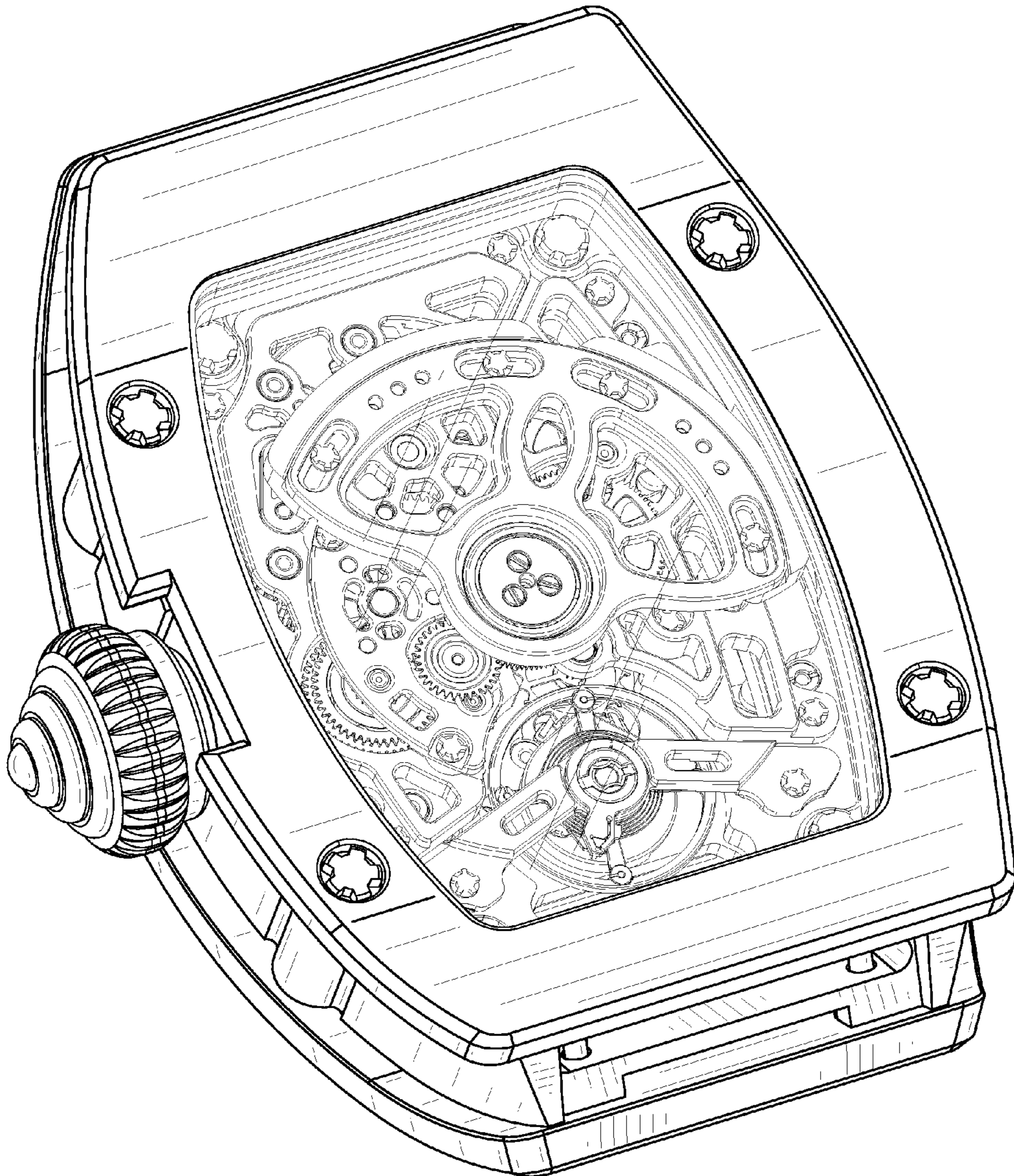


FIG. 6

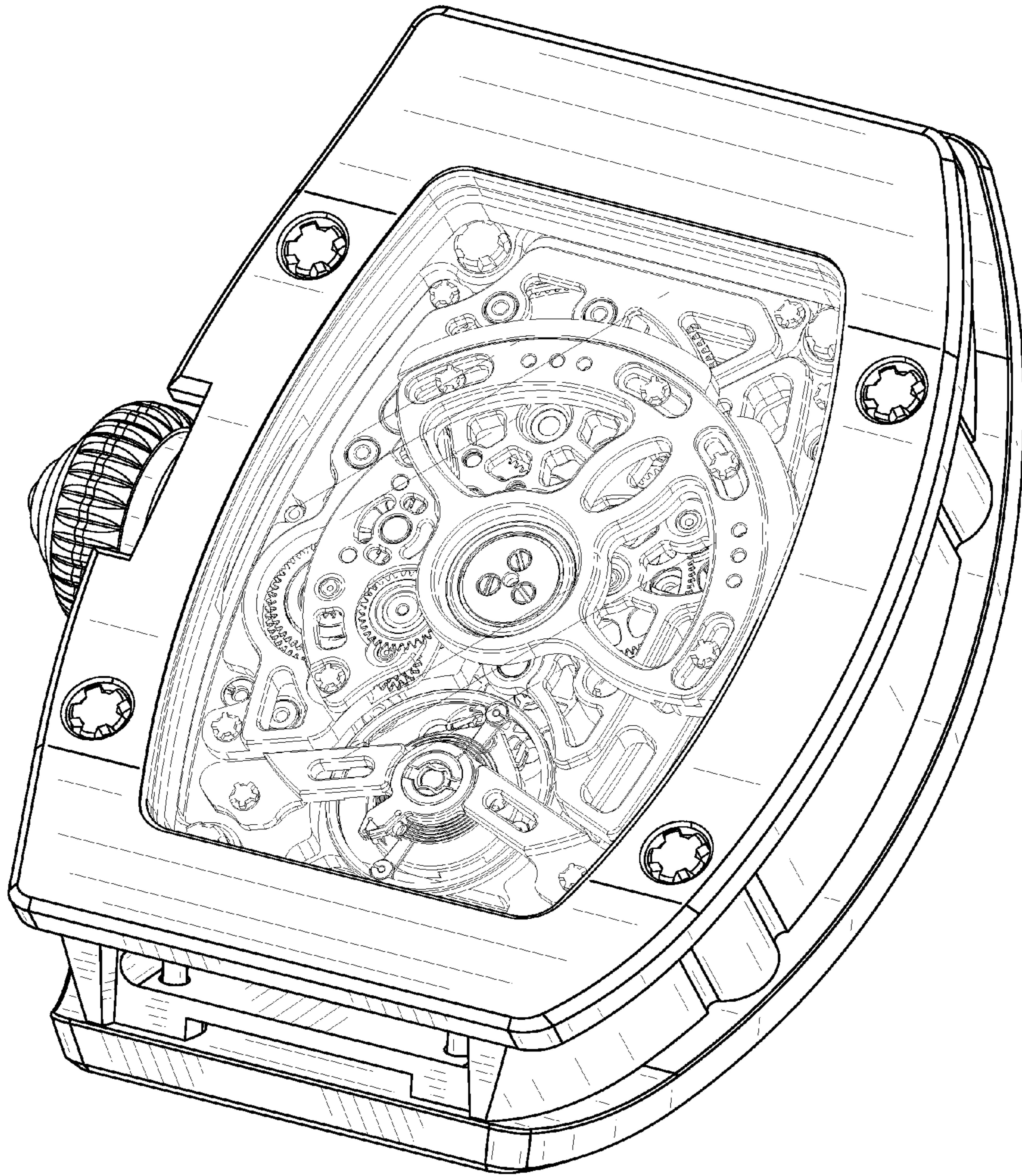


FIG. 7

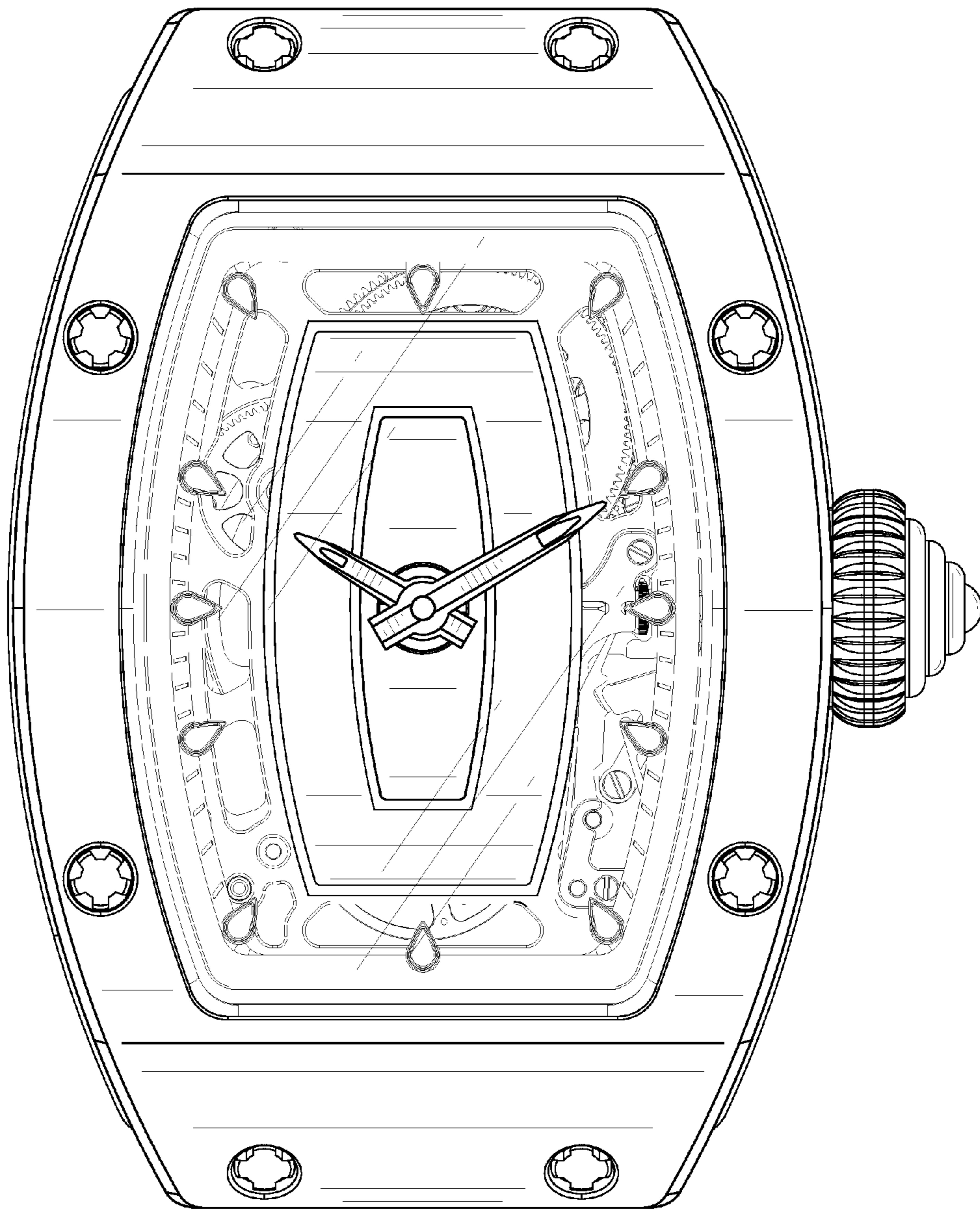


FIG. 8



FIG. 9

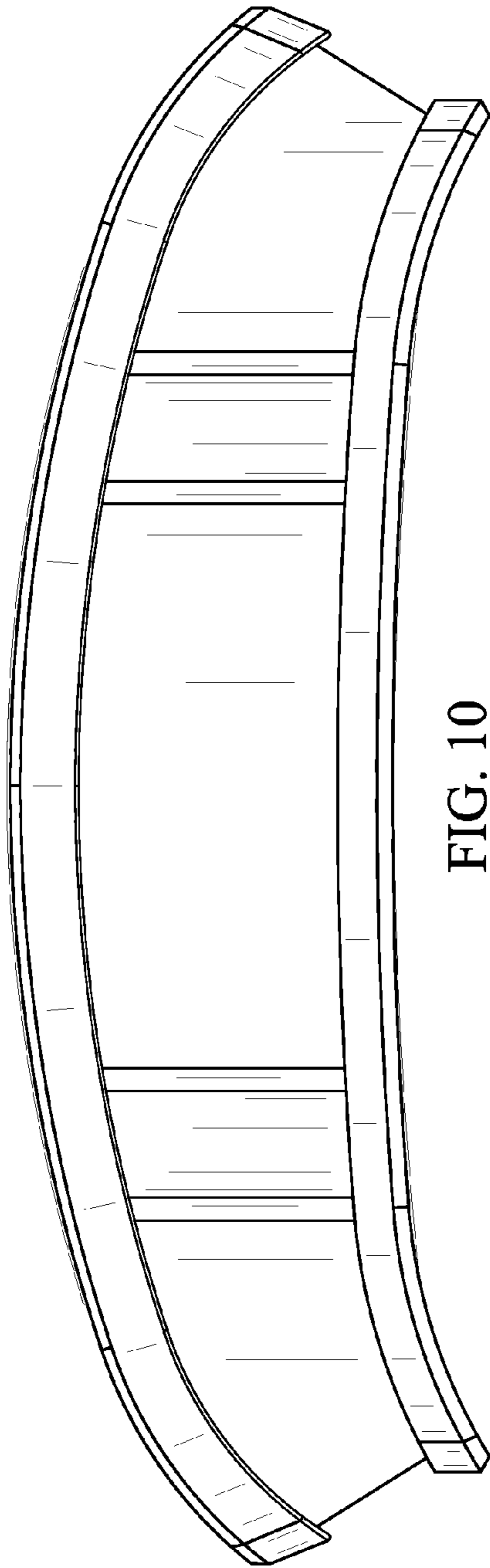


FIG. 10

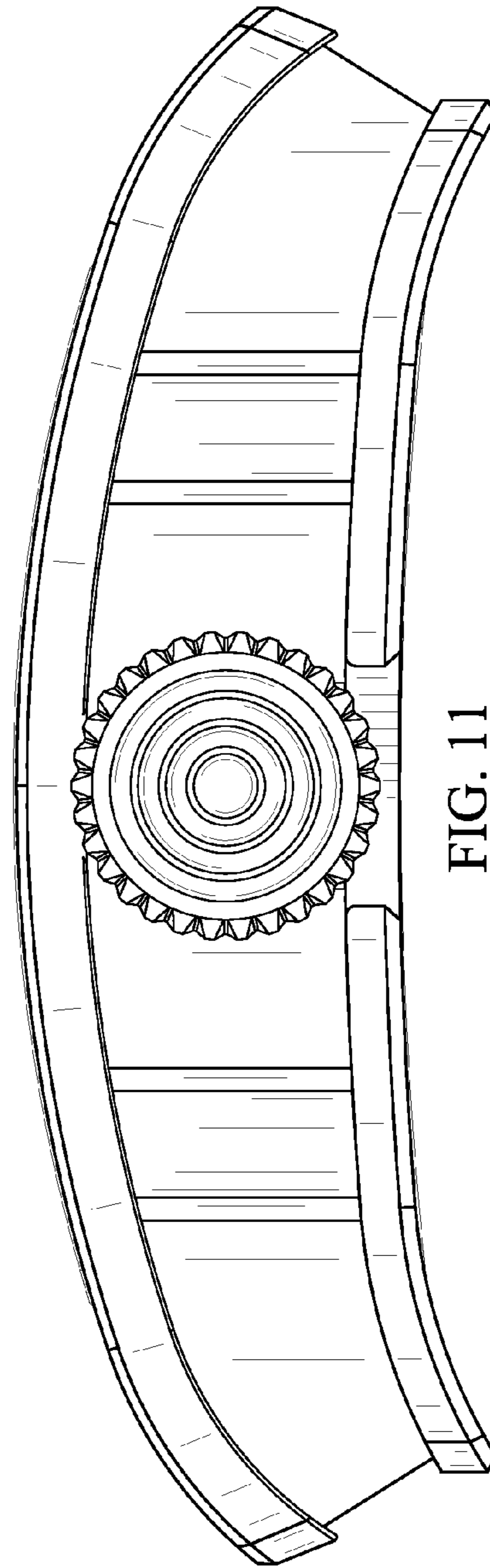


FIG. 11

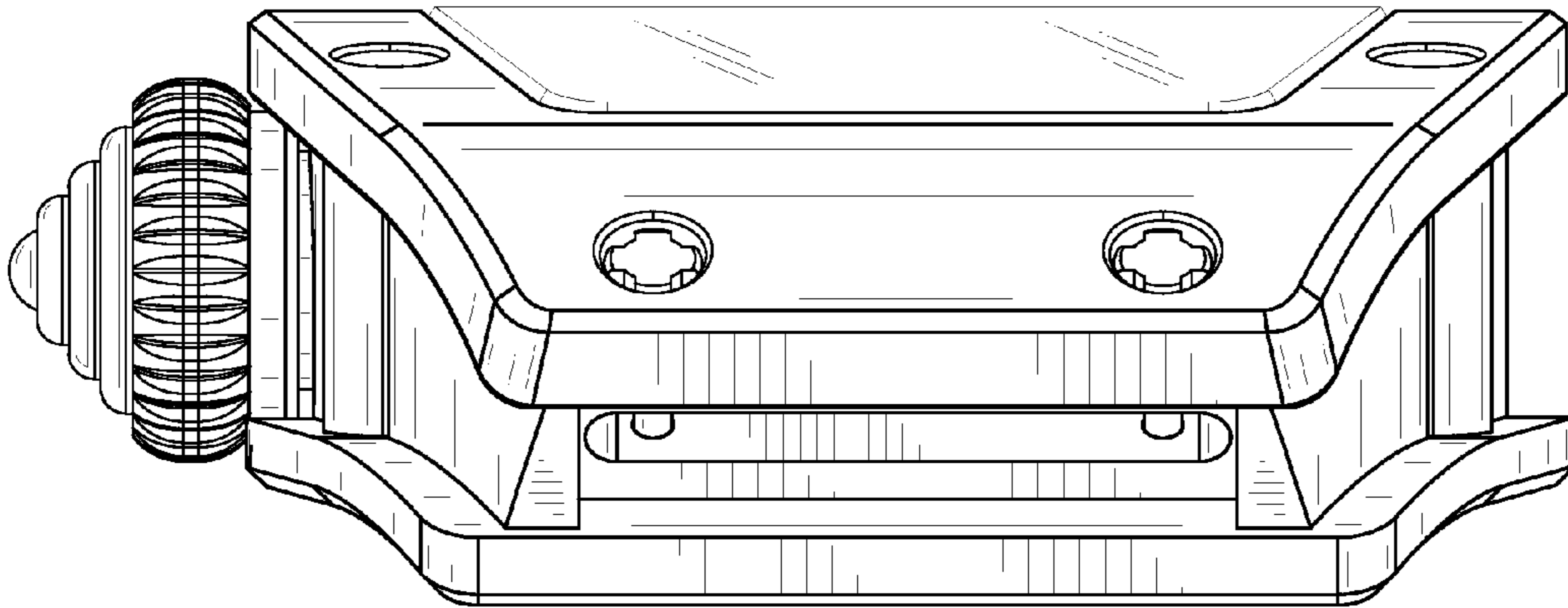


FIG. 12

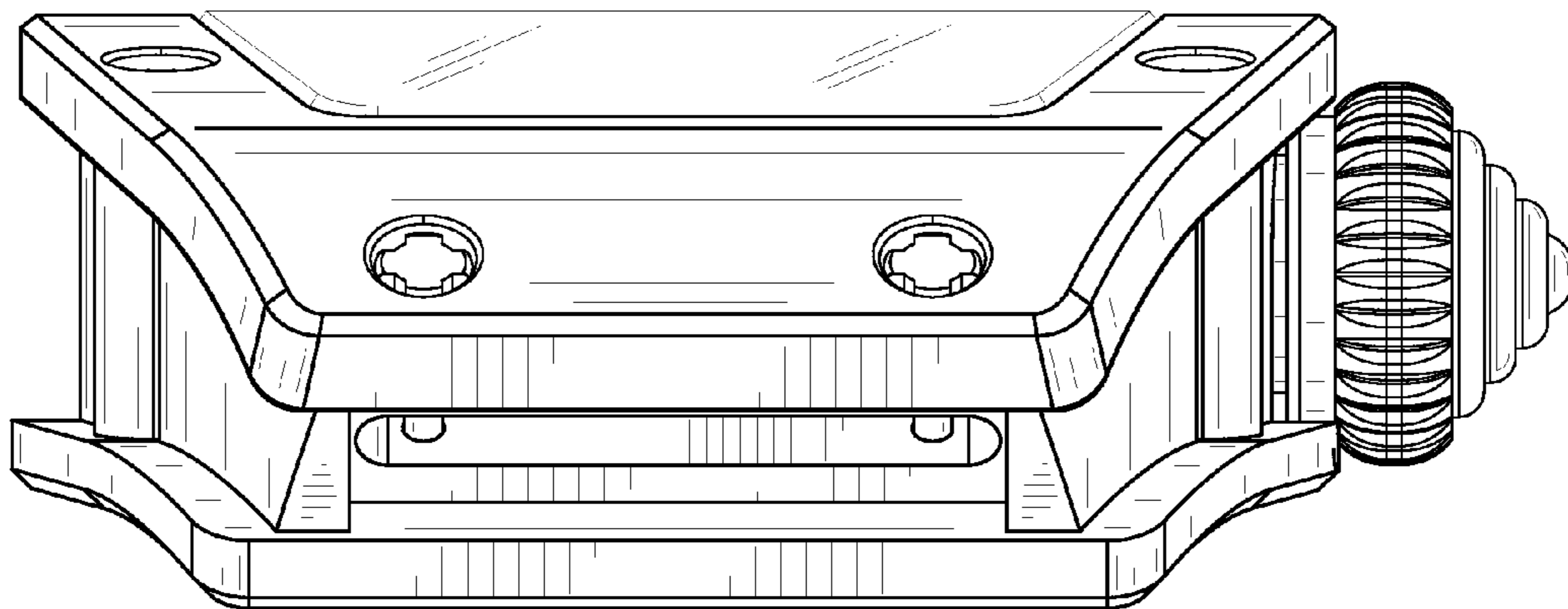


FIG. 13