



US00D692319S

(12) **United States Design Patent**  
**Moreau**

(10) **Patent No.:** **US D692,319 S**  
(45) **Date of Patent:** **\*\* Oct. 29, 2013**

(54) **DISPENSER FOR COSMETICS**

(75) Inventor: **Francis Moreau**, Sotteville (FR)

(73) Assignee: **Valois S.A.S.**, Le Neubourg (FR)

(\*\*) Term: **14 Years**

(21) Appl. No.: **29/428,592**

(22) Filed: **Aug. 1, 2012**

(30) **Foreign Application Priority Data**

Feb. 16, 2012 (EP) ..... 001993437-0001

(51) **LOC (9) Cl.** ..... **09-01**

(52) **U.S. Cl.**  
USPC ..... **D9/724**; D9/726

(58) **Field of Classification Search**  
USPC ..... D9/434, 435, 516, 529, 549, 723-729;  
215/381-385; 220/660, 669, 675;  
D7/4, 7; D24/133

See application file for complete search history.

(56) **References Cited**

**U.S. PATENT DOCUMENTS**

D221,210 S \* 7/1971 Weiner ..... D9/724  
D325,264 S \* 4/1992 Shinohara ..... D28/7  
D375,256 S \* 11/1996 Chadfield ..... D9/724

D431,324 S \* 9/2000 Hirato et al. .... D28/76  
D526,411 S \* 8/2006 Easley ..... D24/150  
D551,569 S \* 9/2007 Tanaka ..... D9/724  
D639,998 S \* 6/2011 Liu ..... D28/7  
D673,058 S \* 12/2012 Park ..... D9/724  
D675,540 S \* 2/2013 Montminy ..... D9/724  
2011/0013966 A1 \* 1/2011 Ballot ..... 401/108

\* cited by examiner

*Primary Examiner* — Keli L Hill

(74) *Attorney, Agent, or Firm* — Sughrue Mion, PLLC

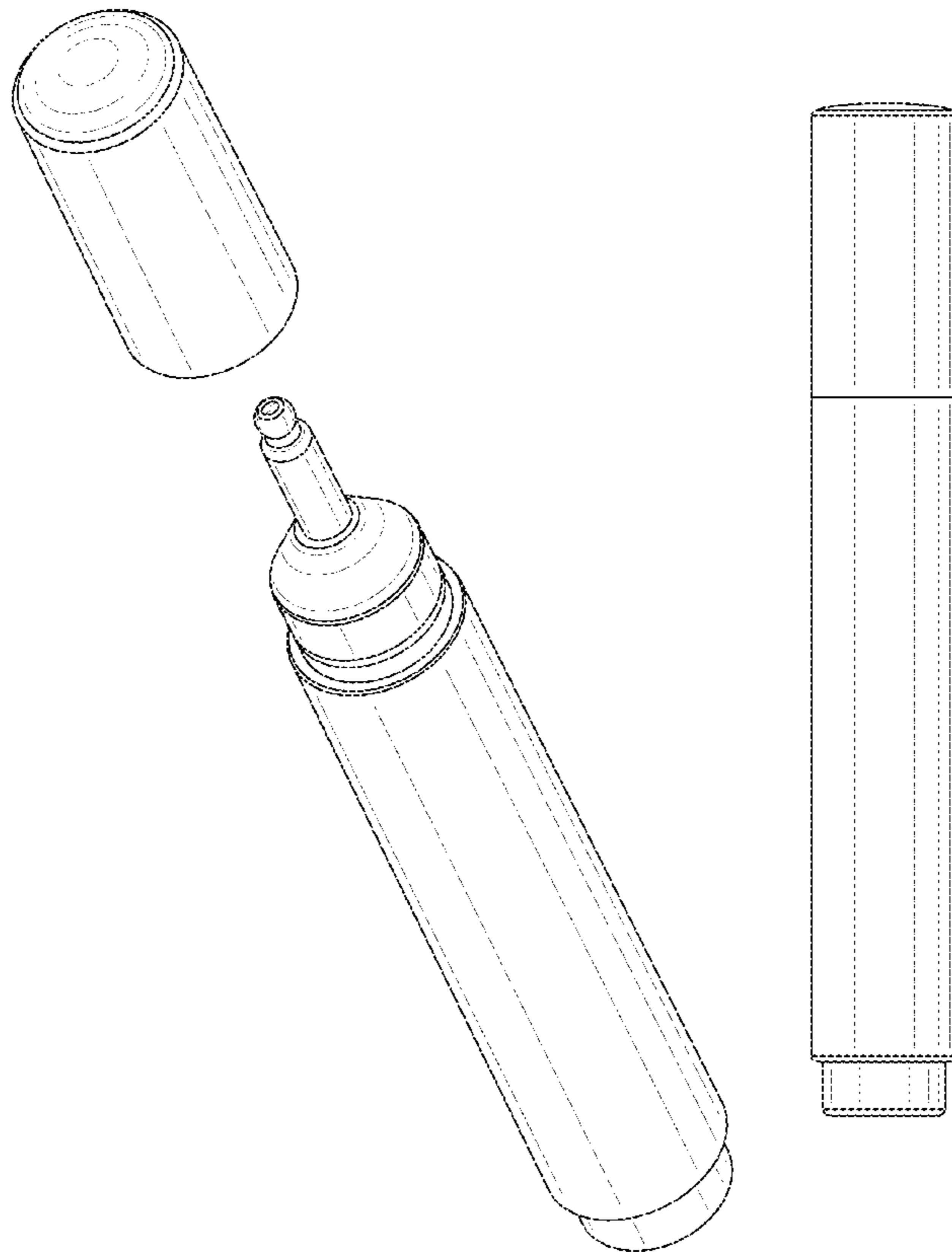
(57) **CLAIM**

The ornamental design for a dispenser for cosmetics, as shown and described.

**DESCRIPTION**

FIG. 1 is a perspective view of a dispenser for cosmetics, embodying my new design, shown with the cap removed; FIG. 2 is a perspective view thereof, shown with the cap attached; FIG. 3 is an elevation view thereof, shown with the cap removed; FIG. 4 is an elevation view thereof; shown with the cap attached; FIG. 5 is a top plan view thereof, shown without the cap; FIG. 6 is a top plan view thereof, shown with the cap; and, FIG. 7 is a bottom plan view thereof.

**1 Claim, 7 Drawing Sheets**



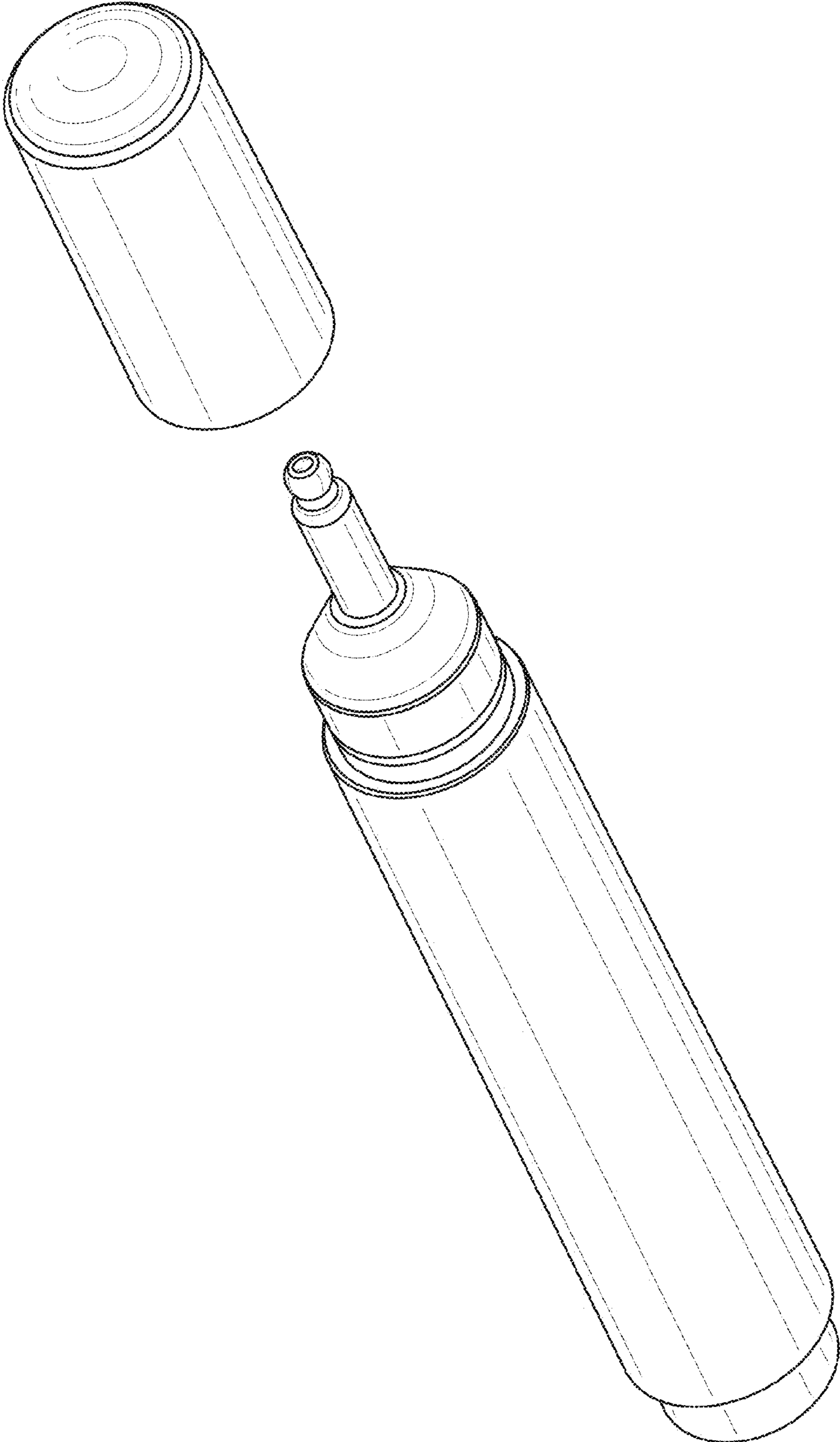


FIG. 1

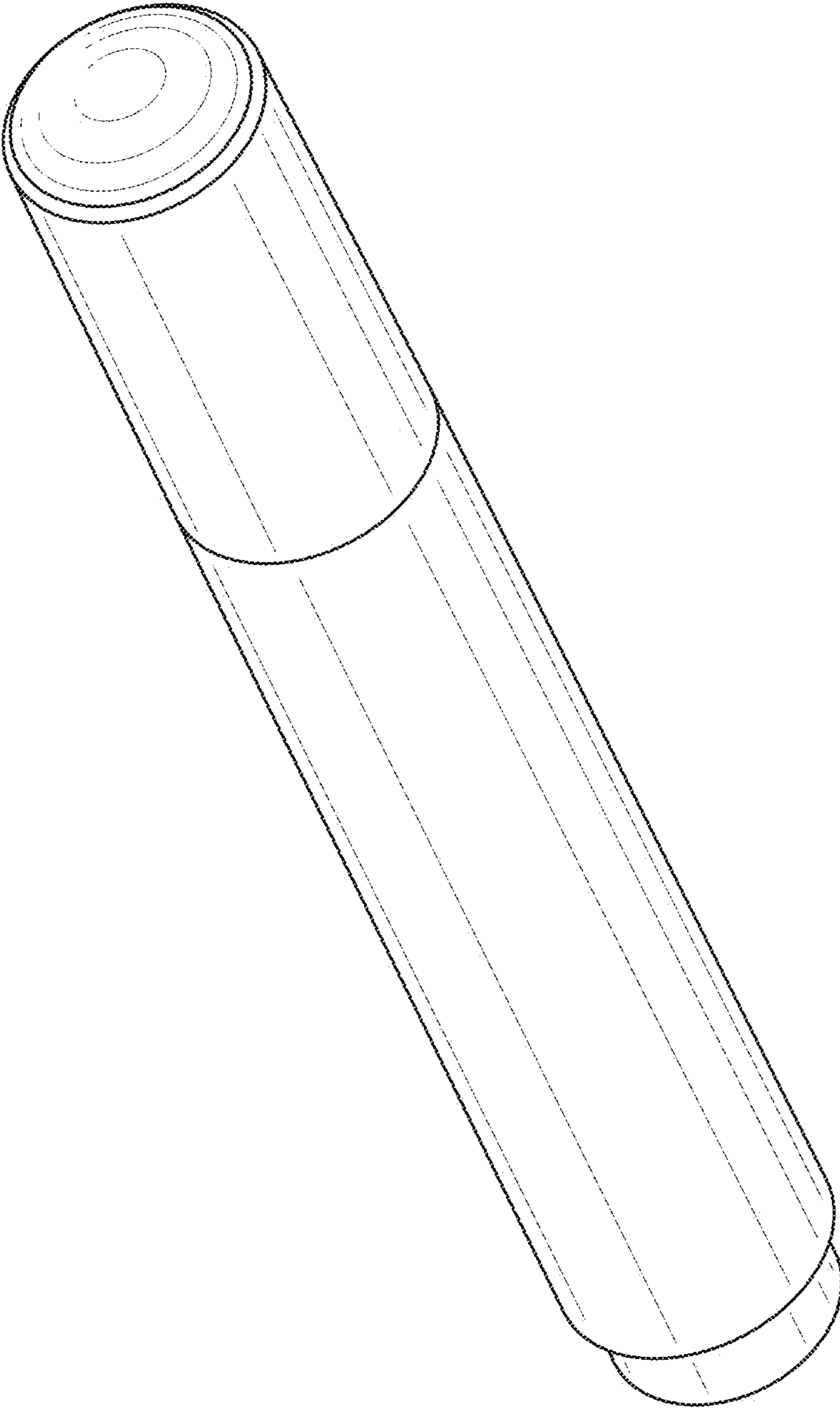


FIG. 2

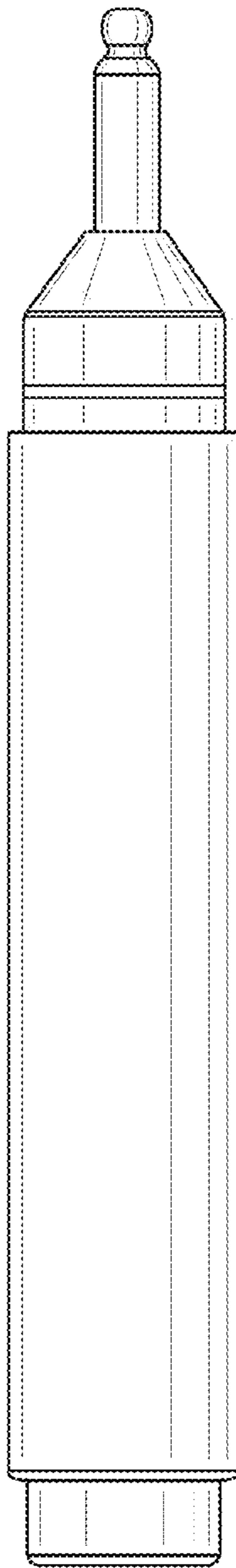
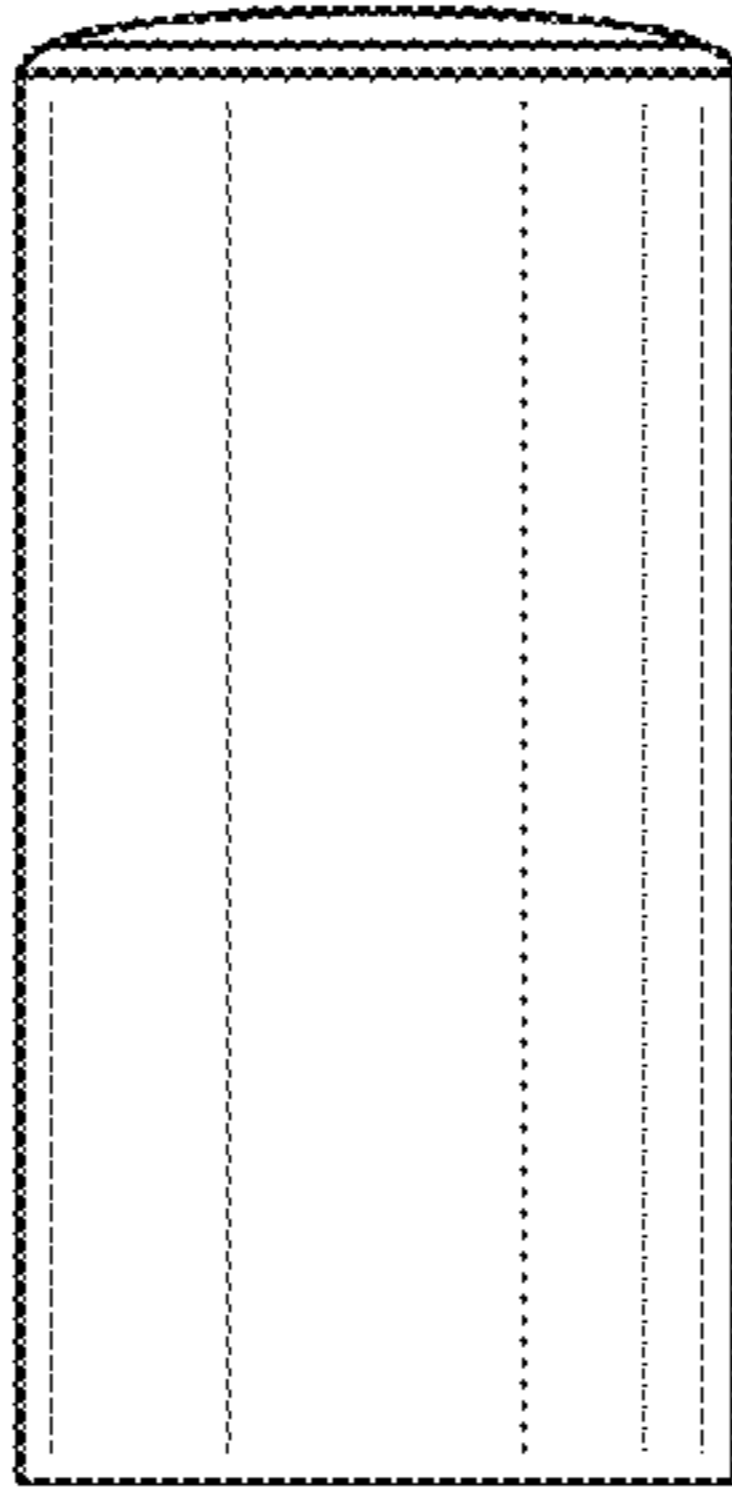


FIG. 3

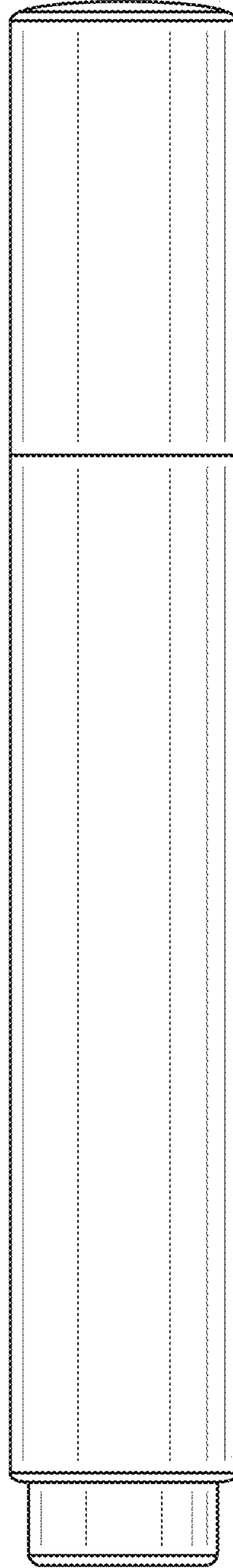


FIG. 4

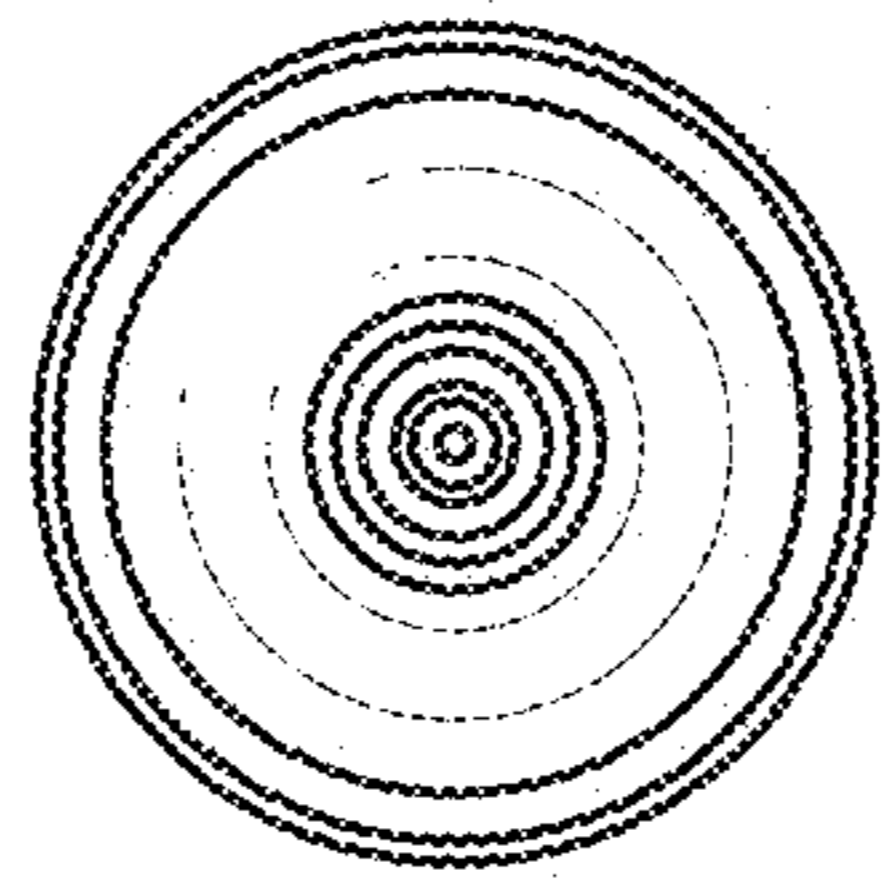


FIG. 5

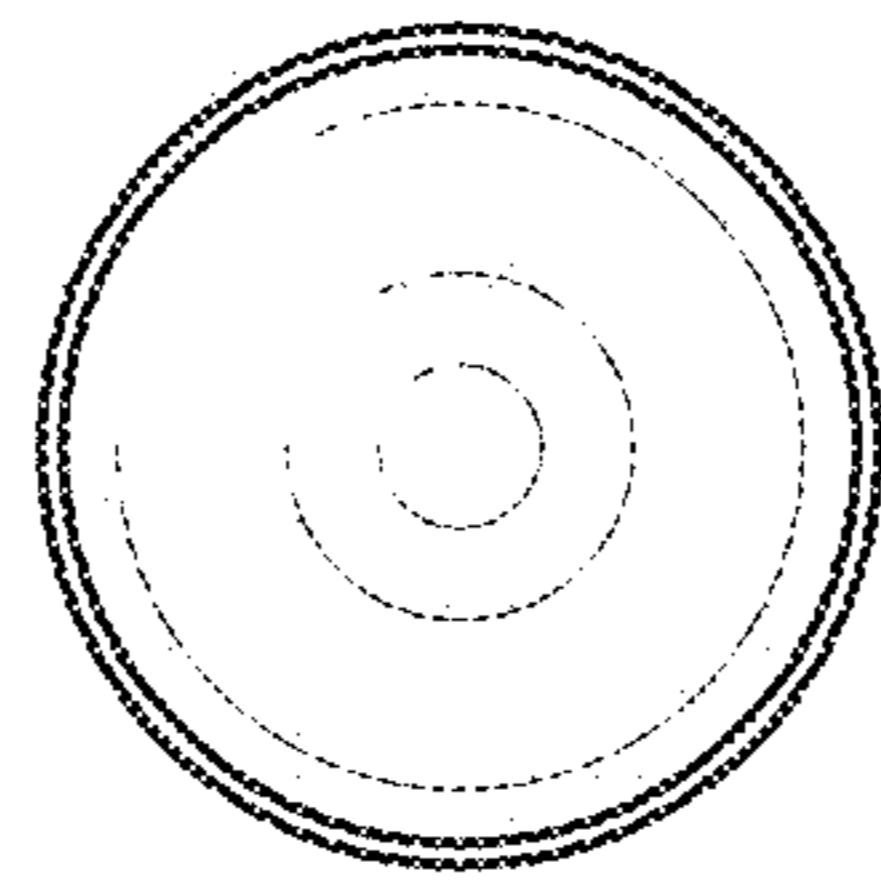


FIG. 6

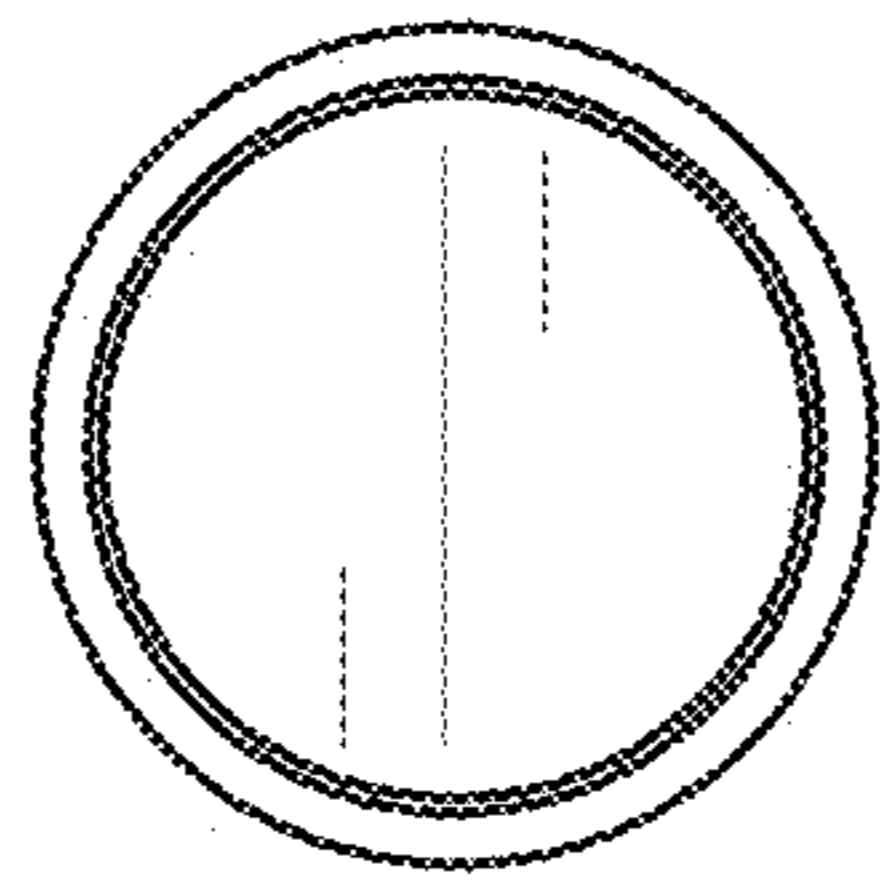


FIG. 7