



US00D692308S

(12) **United States Design Patent**
Baker

(10) **Patent No.:** **US D692,308 S**

(45) **Date of Patent:** **** Oct. 29, 2013**

(54) **BOTTLE**

(76) Inventor: **Raymond John Baker**, Melton (AU)

(**) Term: **14 Years**

(21) Appl. No.: **29/412,266**

(22) Filed: **Feb. 1, 2012**

(30) **Foreign Application Priority Data**

Aug. 2, 2011 (AU) 338282

(51) **LOC (9) Cl.** **09-01**

(52) **U.S. Cl.**
USPC **D9/548; D9/500; D9/562; D24/114**

(58) **Field of Classification Search**
USPC D9/548, 500-501, 503, 516, 544-546,
D9/562, 572-575; D24/112-114; 604/218;
215/393, 400; 220/686, 729
See application file for complete search history.

(56) **References Cited**

U.S. PATENT DOCUMENTS

D8,670 S * 9/1875 Warner D9/500
D8,671 S * 9/1875 Warner D9/500
D121,604 S * 7/1940 Miklos D9/548
2,869,541 A * 1/1959 Helmer et al. D24/114

2,972,991 A * 2/1961 Burke D24/114
D196,454 S * 10/1963 Stengle, Jr. D9/500
D216,091 S * 11/1969 Lawton D9/501
D228,172 S * 8/1973 Byrne D9/548
D248,925 S * 8/1978 Howland D9/548
5,820,603 A * 10/1998 Tucker et al. 604/187
D447,797 S * 9/2001 Odell et al. D24/112
D563,790 S * 3/2008 Fridman D9/548
8,122,922 B2 * 2/2012 Baker 215/247

* cited by examiner

Primary Examiner — Wan Laymon

(74) *Attorney, Agent, or Firm* — Stevens & Showalter LLP

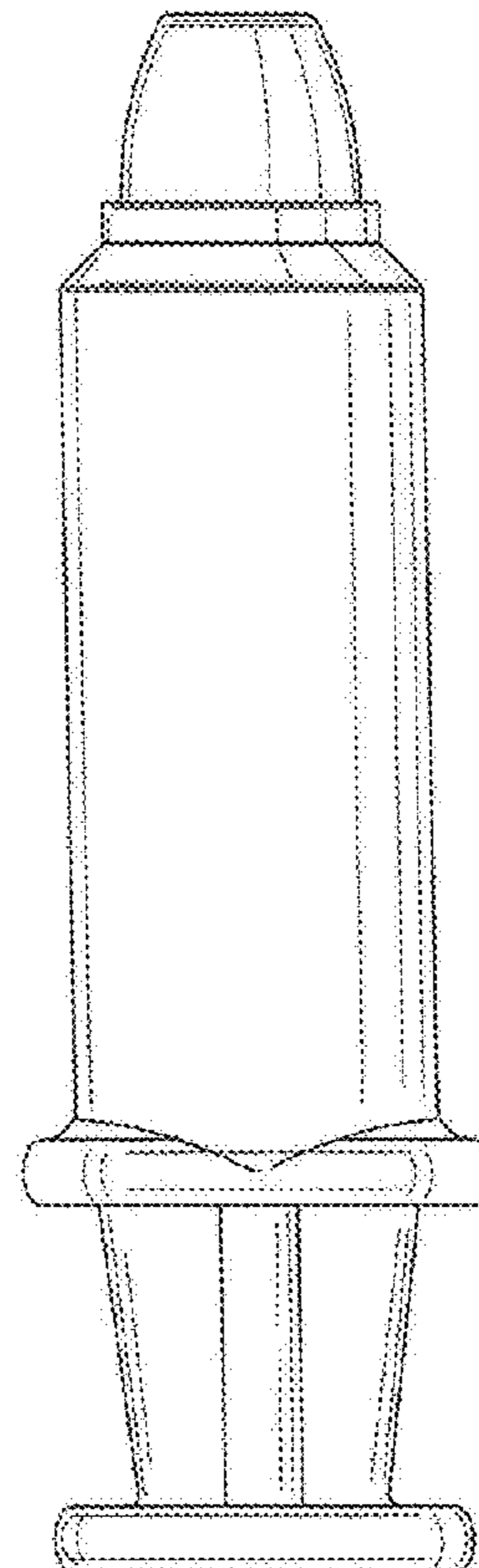
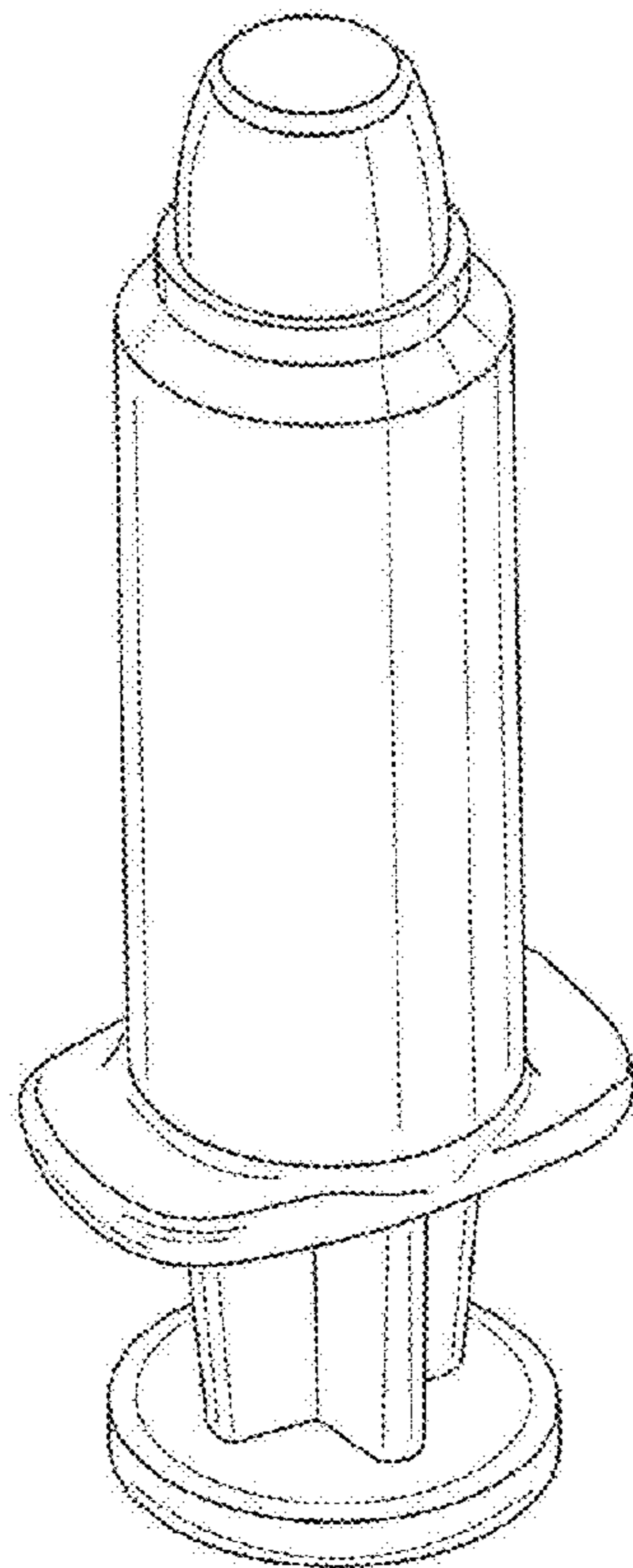
(57) **CLAIM**

The ornamental design for a bottle, as shown and described.

DESCRIPTION

FIG. 1 is a perspective view of a bottle showing my new design;
FIG. 2 is a first side elevational view thereof;
FIG. 3 is a second side elevational view thereof, opposite from the first side of FIG. 2;
FIG. 4 is a top plan view thereof;
FIG. 5 is a bottom plan view thereof;
FIG. 6 is a first end elevational view thereof; and,
FIG. 7 is a second end elevational view thereof, opposite from the first end of FIG. 6.

1 Claim, 3 Drawing Sheets



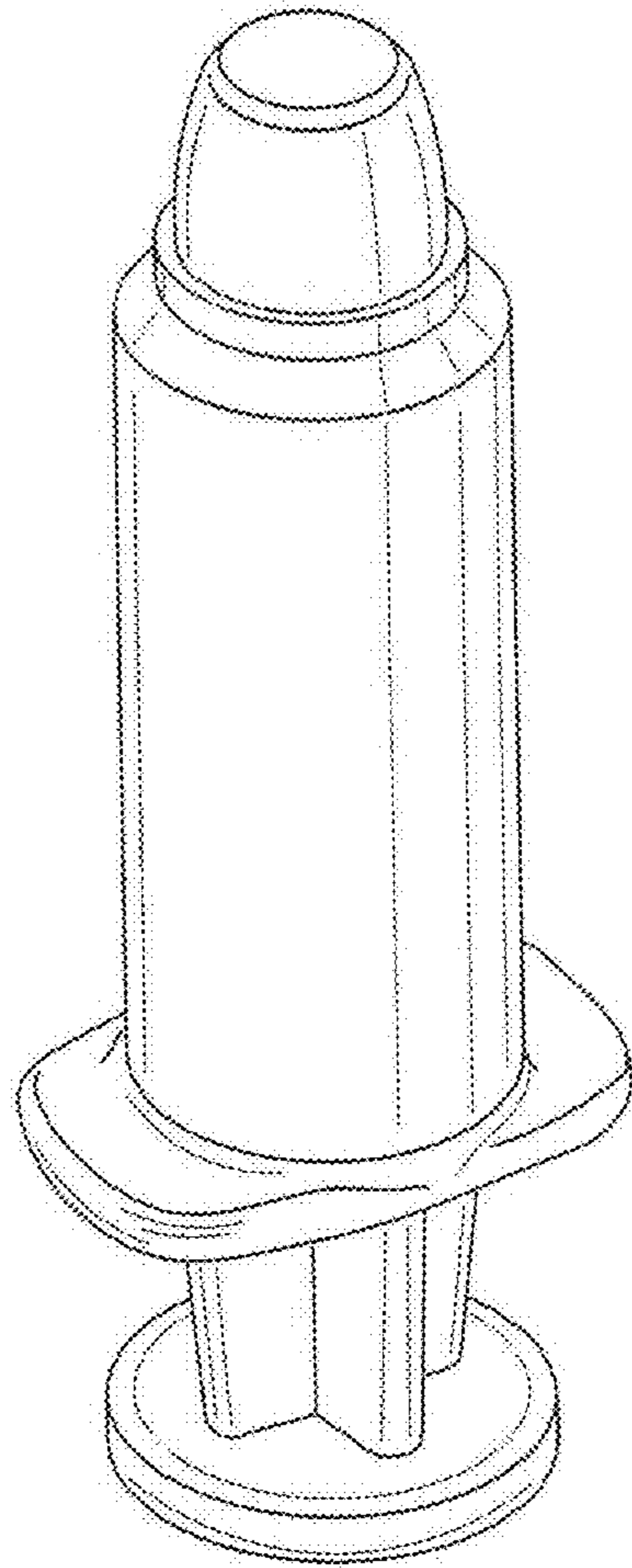


FIG. 1

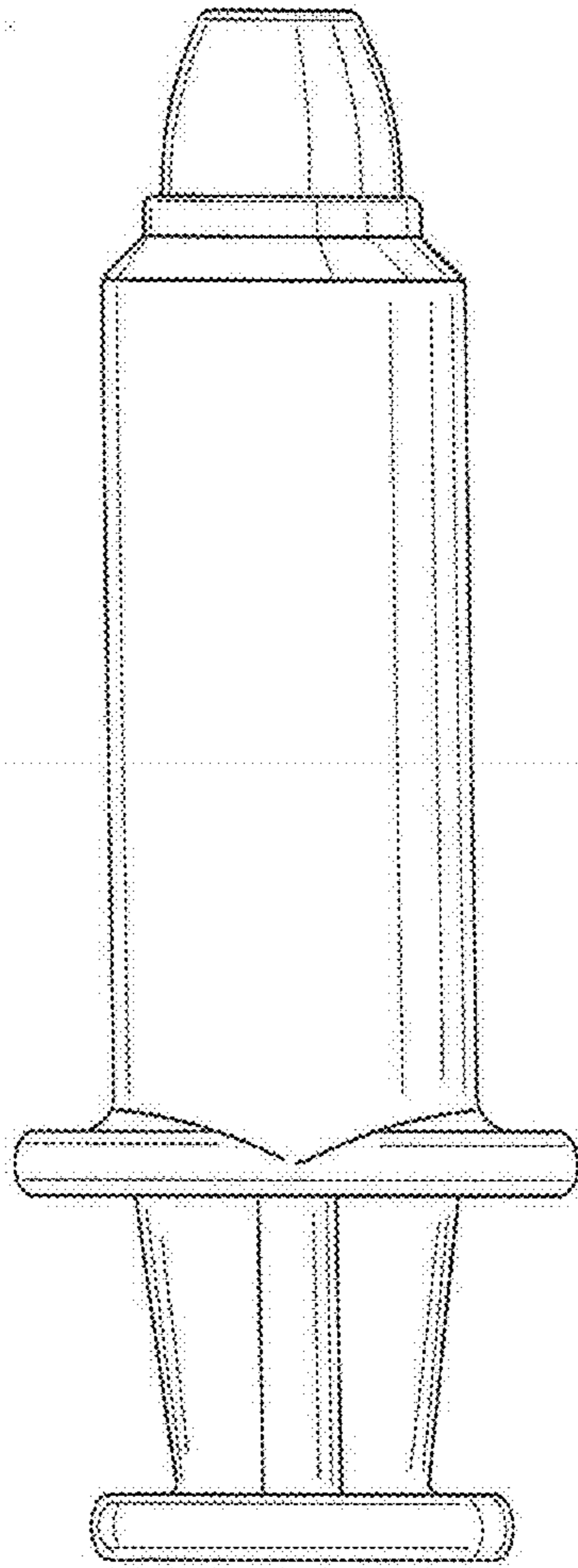


FIG. 2

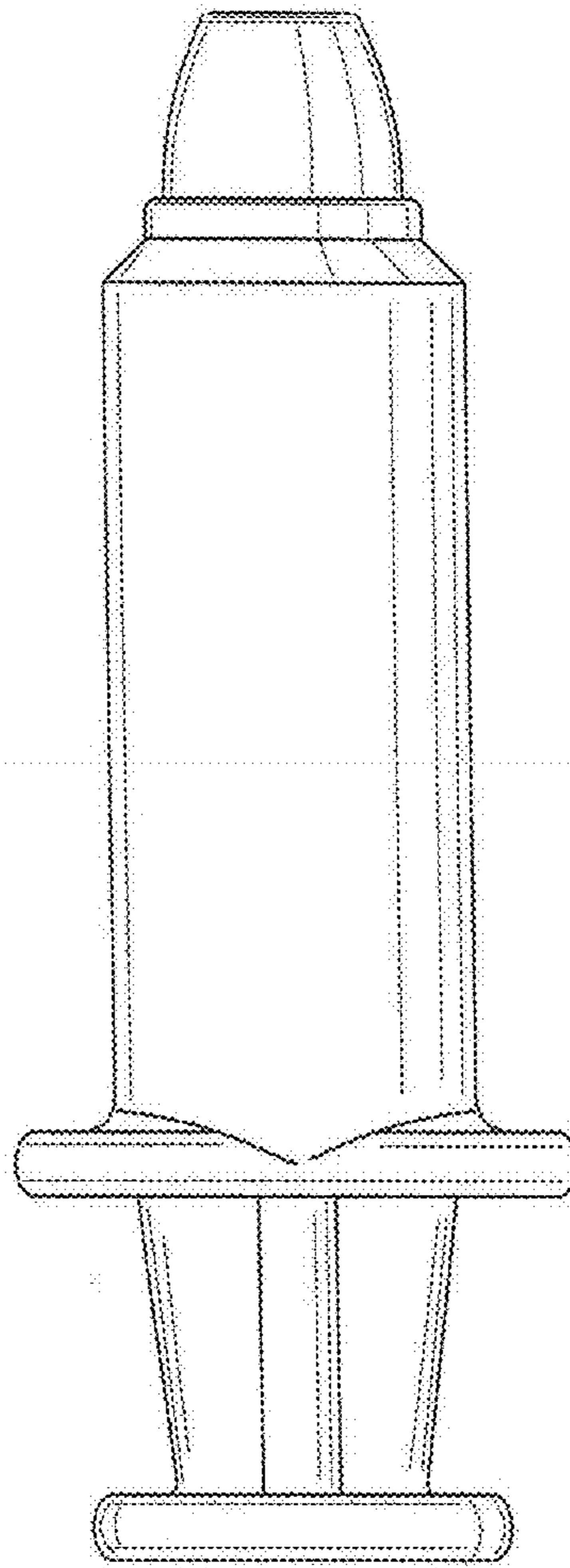


FIG. 3

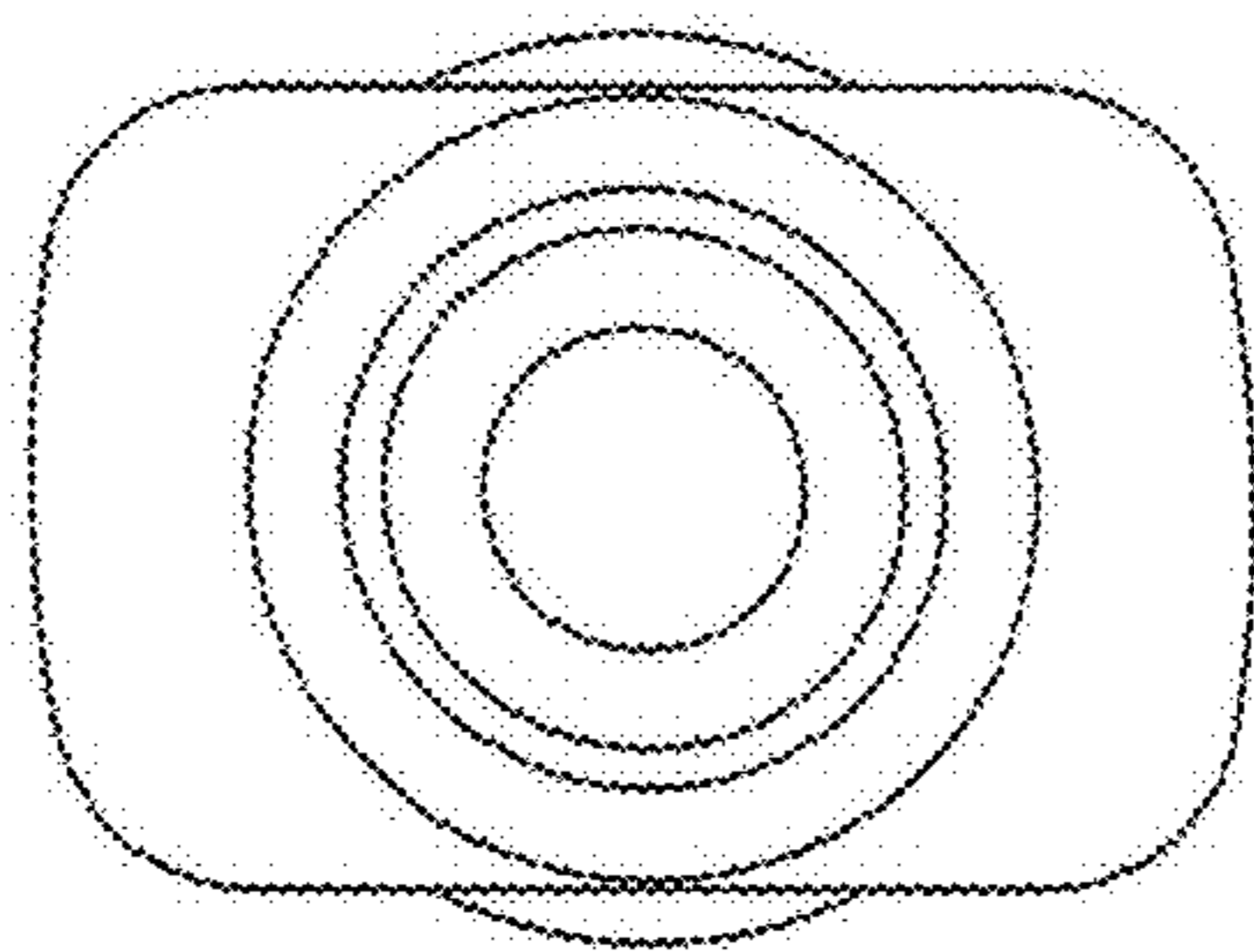


FIG. 4

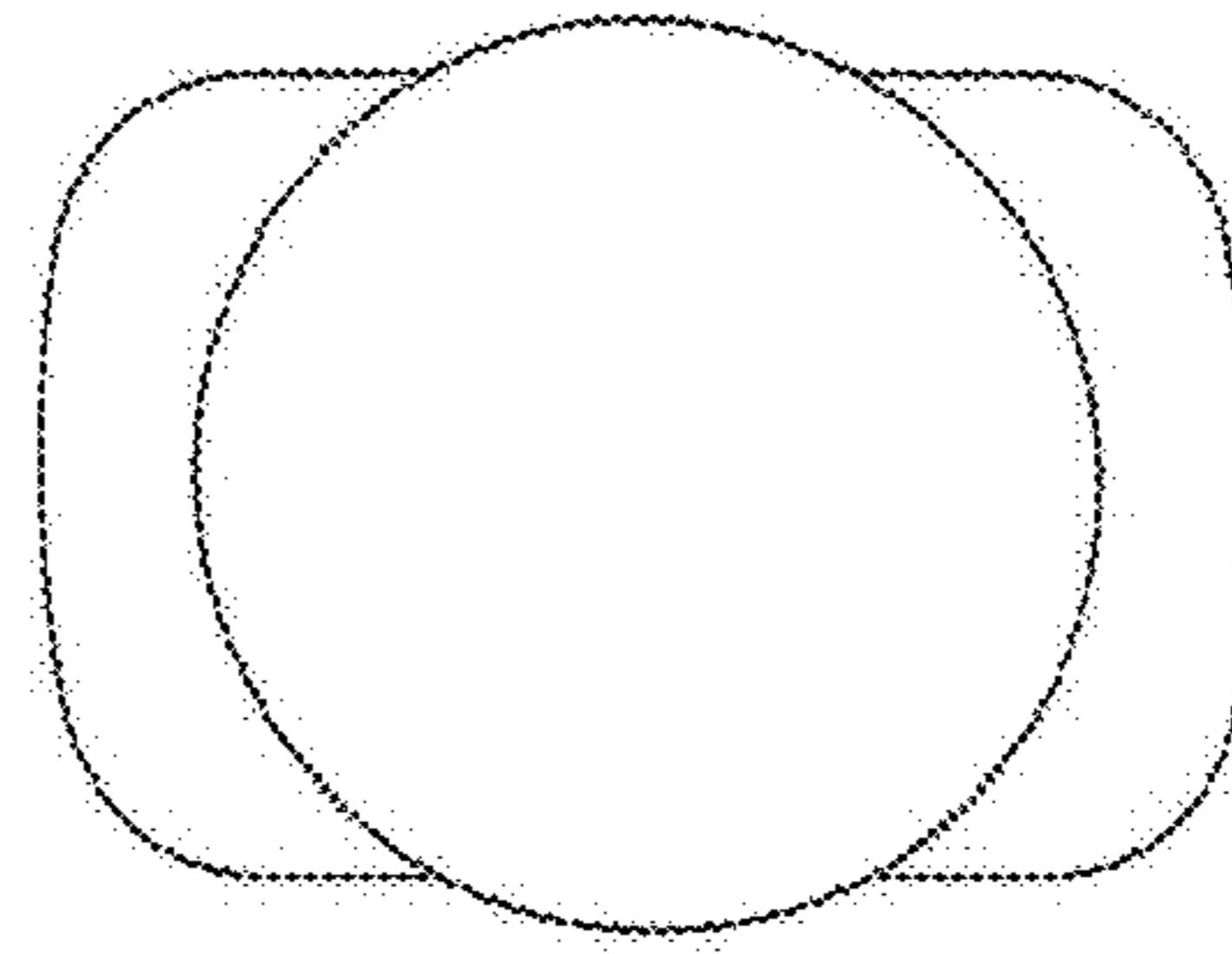


FIG. 5

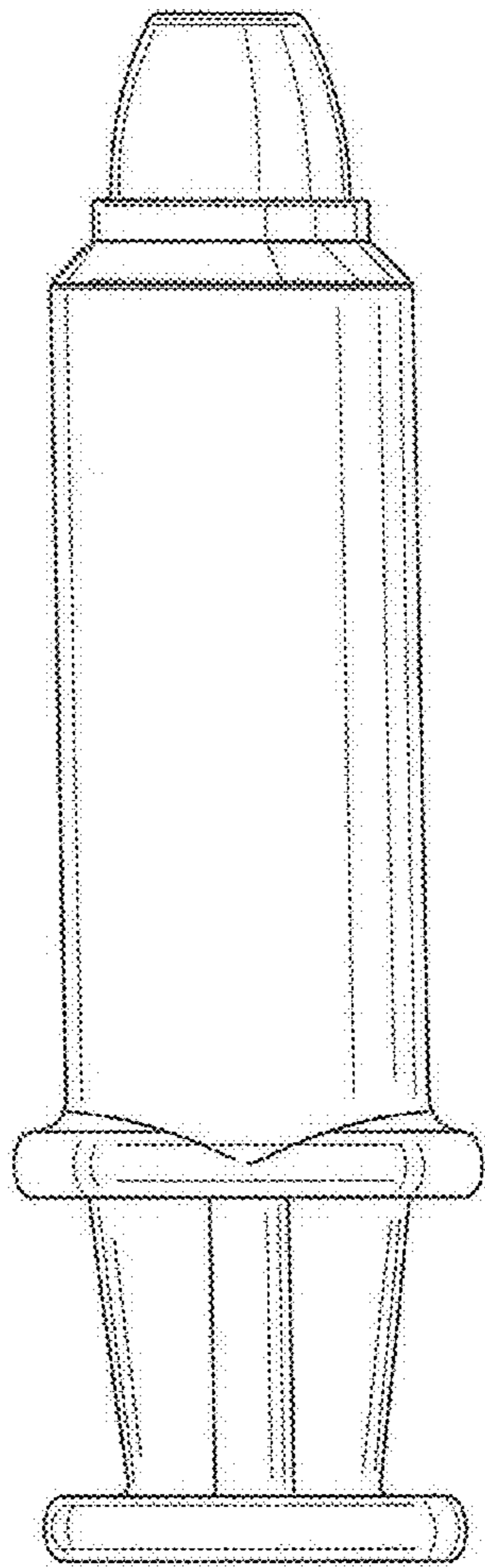


FIG. 6

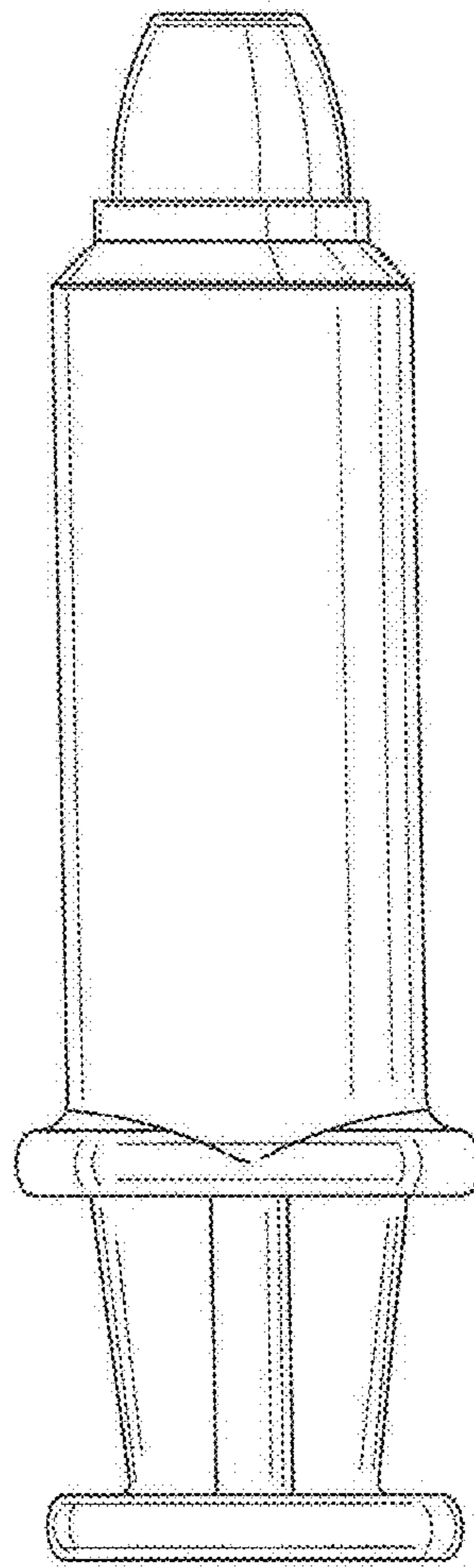


FIG. 7