



US00D692306S

(12) **United States Design Patent**
Lee et al.

(10) **Patent No.:** **US D692,306 S**
(45) **Date of Patent:** **** *Oct. 29, 2013**

(54) **BOTTLE**

(75) Inventors: **Jean Jeewon Lee**, Mount Vernon, NY (US); **Patrick J. O'Brien**, Mount Vernon, NY (US)

(73) Assignee: **Premier Brands of America, Inc.**, Mount Vernon, NY (US)

(*) Notice: This patent is subject to a terminal disclaimer.

(**) Term: **14 Years**

(21) Appl. No.: **29/400,226**

(22) Filed: **Aug. 24, 2011**

(51) **LOC (9) Cl.** **09-01**

(52) **U.S. Cl.**
USPC **D9/541; D9/542; D9/570; D9/573; D9/574**

(58) **Field of Classification Search**
USPC **D9/682-694, 516, 521, 529, 530, D9/541-542, 557, 570, 572-575; 215/382-384; 220/660, 669, 675**
See application file for complete search history.

(56) **References Cited**

U.S. PATENT DOCUMENTS

D94,095 S *	12/1934	Piazzoli	D9/570
D156,219 S *	11/1949	Deskey	D9/542
2,586,687 A *	2/1952	Mellon	222/182
D332,406 S *	1/1993	Desgrippes et al.	D9/570
5,370,266 A *	12/1994	Woodruff	222/212 X
D383,069 S *	9/1997	Valls et al.	D9/557 X
D400,444 S *	11/1998	Laubach et al.	D9/557 X
D408,740 S *	4/1999	Jones et al.	D9/574 X
D438,804 S *	3/2001	Gonda et al.	D9/542
D439,150 S *	3/2001	Gonda et al.	D9/682

D441,296 S *	5/2001	Majerowski	D9/542
D482,286 S *	11/2003	Samson et al.	D9/557 X
D505,079 S *	5/2005	Mulder et al.	D9/542
D528,012 S *	9/2006	Snyder	D9/557 X
D542,139 S *	5/2007	Welter	D9/524
D551,085 S *	9/2007	Feen	D9/570 X
D561,033 S *	2/2008	Pritchett et al.	D9/530
D565,417 S *	4/2008	Lee et al.	D9/541
D598,296 S *	8/2009	Serrano Diaz	D9/570
D642,925 S *	8/2011	Conklin et al.	D9/541
D644,526 S *	9/2011	Howell et al.	D9/521
D644,527 S *	9/2011	Howell et al.	D9/521
D657,257 S *	4/2012	Barnett et al.	D9/541

OTHER PUBLICATIONS

Photos of Zeasorb-AF product; publicly available prior to Aug. 24, 2011 filing date.

* cited by examiner

Primary Examiner — Carol P Rademaker

(74) *Attorney, Agent, or Firm* — Leason Ellis LLP

(57) **CLAIM**

The ornamental design for a bottle, as shown and described.

DESCRIPTION

FIG. 1 is a top, front, right side perspective view of a bottle showing our new design;

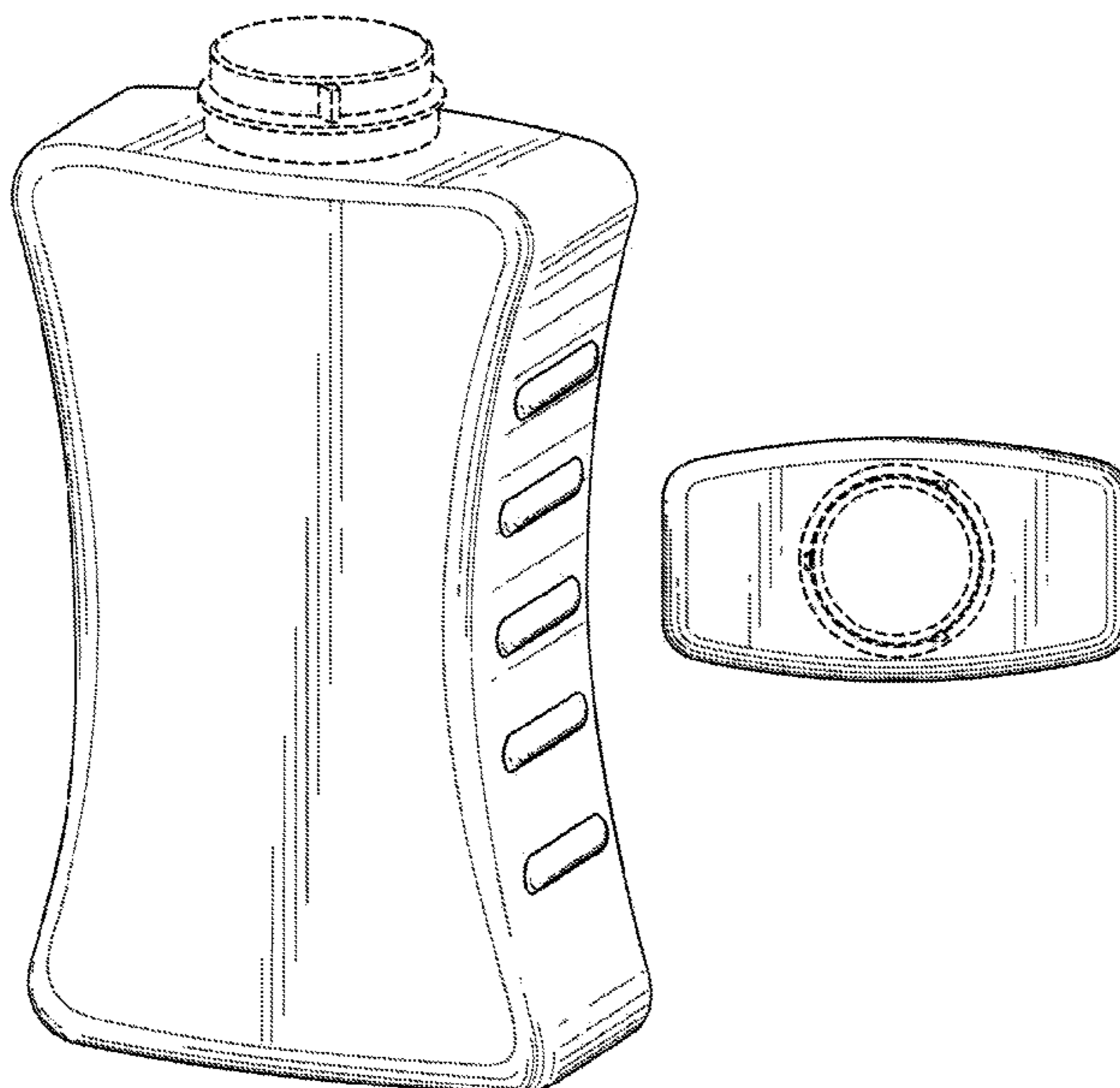
FIG. 2 is a front elevational view thereof, the rear elevational view being a mirror image thereof except for the unclaimed pour spout;

FIG. 3 is a right side elevational view thereof, the left side elevational view being a mirror image thereof except for the unclaimed pour spout; and,

FIG. 4 is a top plan view thereof.

The broken lines shown in the drawings are included for the purpose of illustrating environmental structure and form no part of the claimed design.

1 Claim, 2 Drawing Sheets



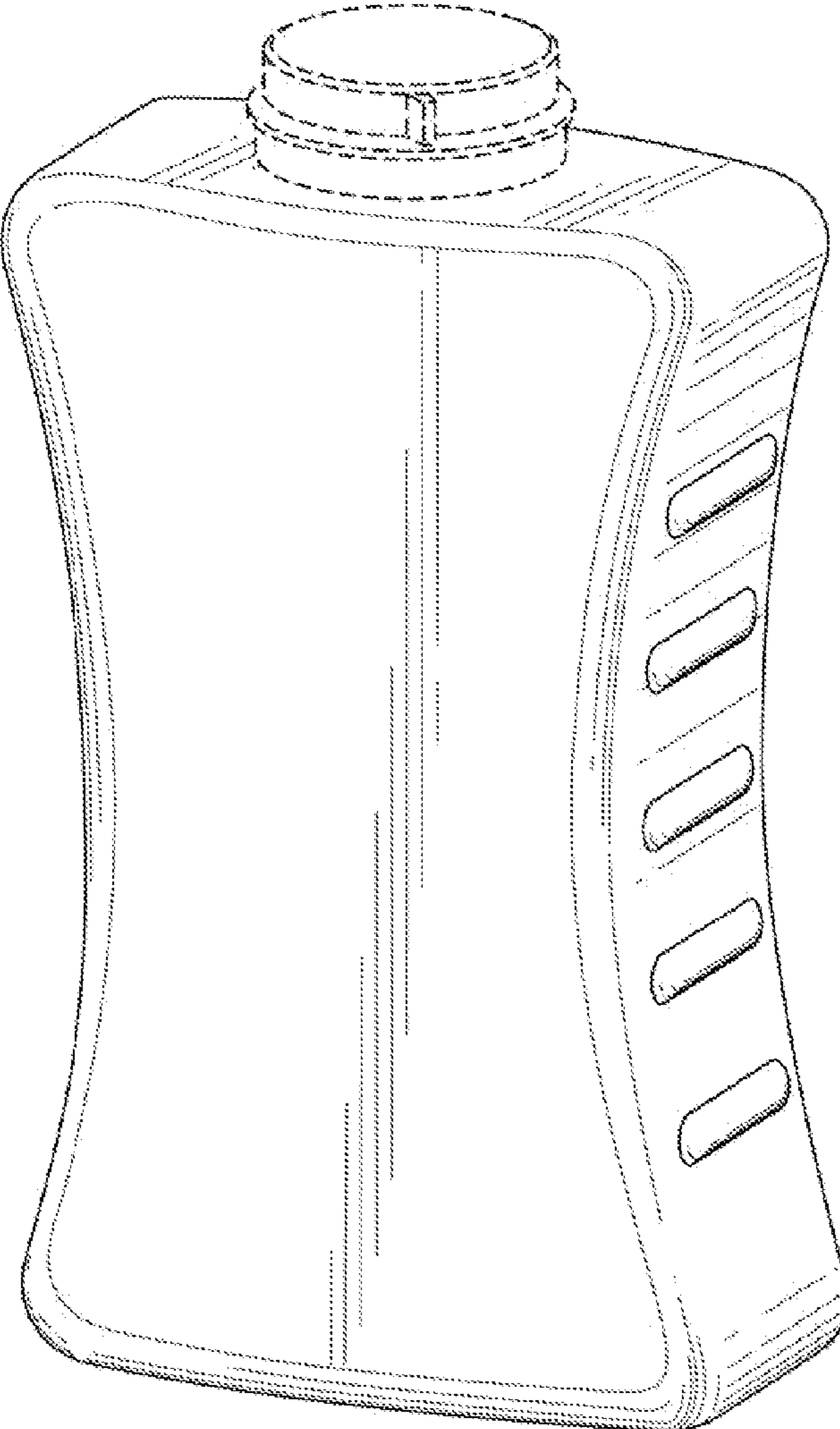


Fig. 1

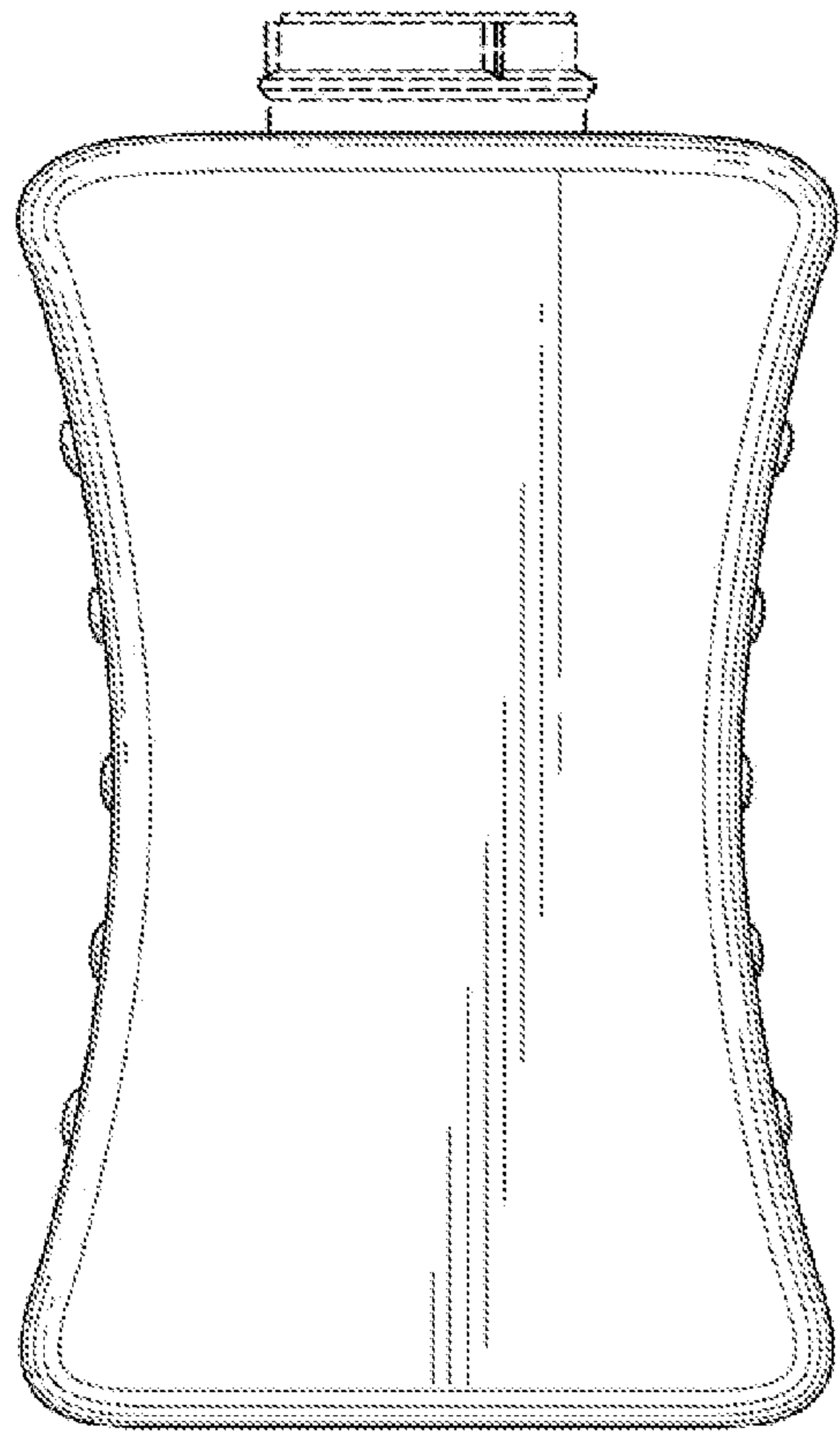


Fig. 2

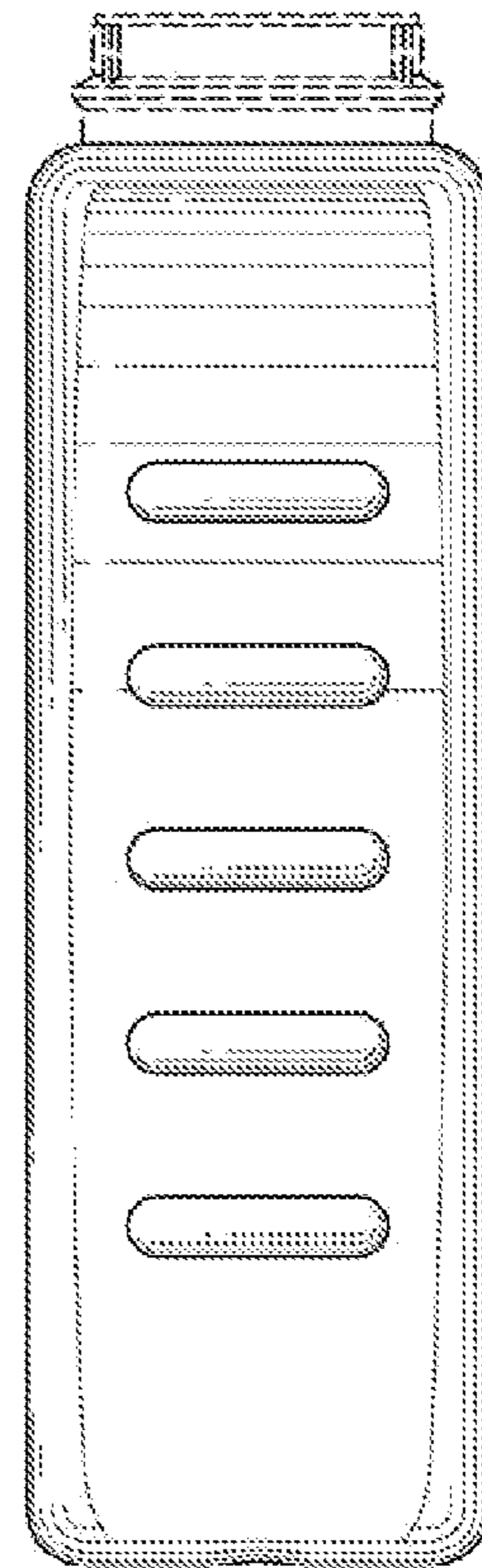


Fig. 3

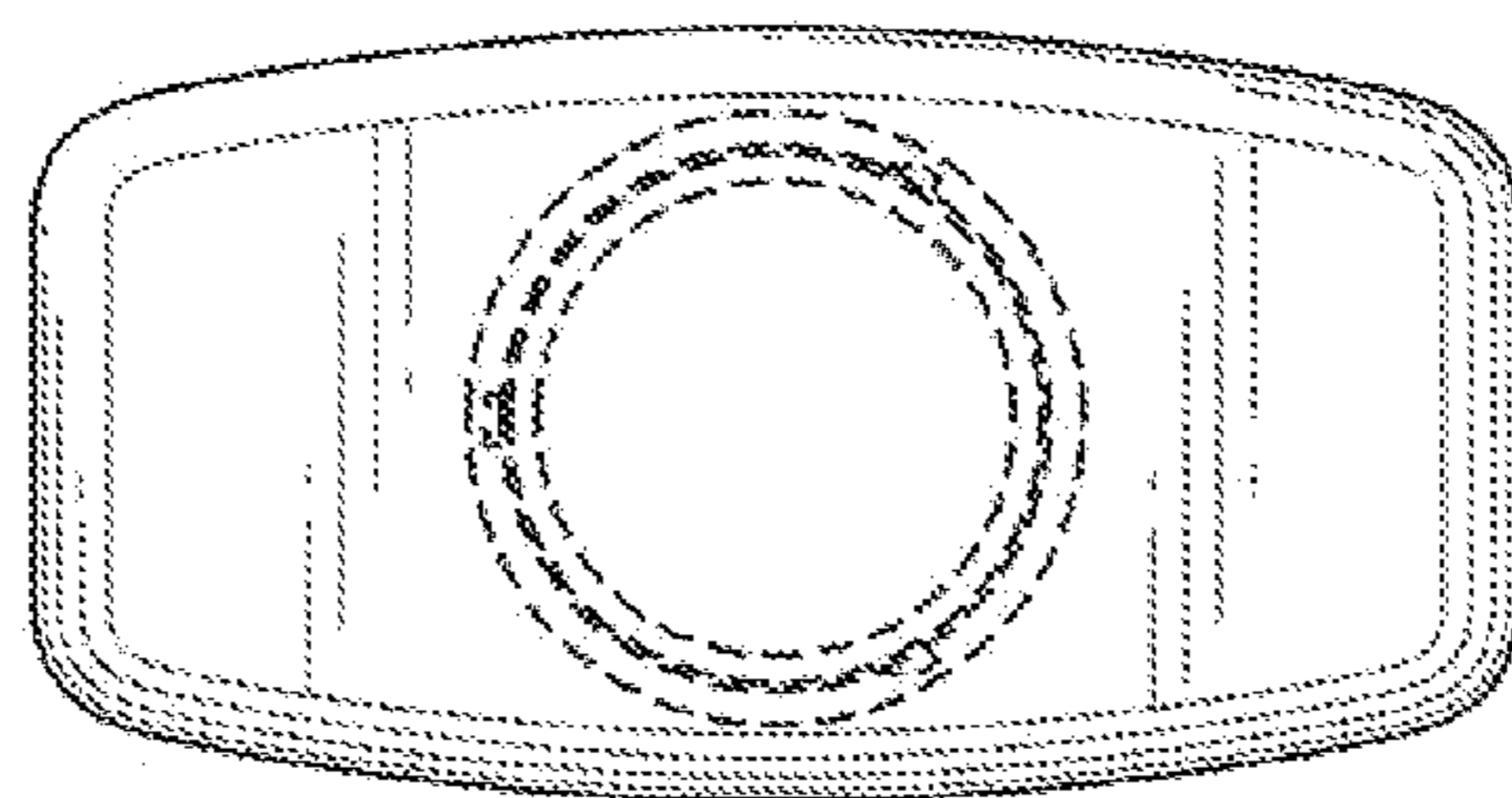


Fig. 4