



US00D692304S

(12) **United States Design Patent**
Cota Castillo

(10) **Patent No.:** **US D692,304 S**

(45) **Date of Patent:** **** *Oct. 29, 2013**

(54) **BOTTLE**

(76) Inventor: **C. Josefina Cota Castillo**, Los Cabos, CA (US)

(*) Notice: This patent is subject to a terminal disclaimer.

(**) Term: **14 Years**

(21) Appl. No.: **29/415,253**

(22) Filed: **Mar. 8, 2012**

(51) **LOC (9) Cl.** **09-01**

(52) **U.S. Cl.**
USPC **D9/523**; D9/520; D9/543; D9/564;
D9/572; D9/575

(58) **Field of Classification Search**
USPC D9/431, 516, 520, 522-523, 530,
D9/542-546, 549, 551-552, 564-565,
D9/572-575; D24/224; 215/379, 381-382
See application file for complete search history.

(56) **References Cited**

U.S. PATENT DOCUMENTS

3,096,913	A	*	7/1963	Corley	222/183
3,391,824	A	*	7/1968	Wiseman	D9/520 X
D269,948	S	*	8/1983	Janssen	D9/543 X
D273,768	S	*	5/1984	Sedam et al.	D9/523
D295,373	S	*	4/1988	Saunders	D9/520
D309,080	S	*	7/1990	Buchholz	D9/543
D322,560	S	*	12/1991	Waine	D9/523
5,115,946	A	*	5/1992	Libit	222/145.7
5,122,399	A	*	6/1992	Farrell et al.	215/384 X
D341,204	S	*	11/1993	Hansen et al.	D24/224

D347,479	S	*	5/1994	Hansen et al.	D24/224
D359,361	S	*	6/1995	Swift	D24/224
D372,091	S	*	7/1996	McCallister et al.	D24/121
D376,664	S	*	12/1996	Petruzzi	D9/523 X
D381,903	S	*	8/1997	Zimmer et al.	D9/530 X
D381,914	S	*	8/1997	Dinand	D9/545
D395,603	S	*	6/1998	Harris	D9/523 X
5,988,460	A	*	11/1999	Brecheisen et al.	222/572
D429,650	S	*	8/2000	LePage	D9/572
D554,510	S	*	11/2007	Dorn	D9/523
D573,889	S	*	7/2008	Short et al.	D9/529
D601,429	S	*	10/2009	Handy	D9/545
D606,418	S	*	12/2009	Crespin	D9/572 X
D617,198	S	*	6/2010	Lee et al.	D9/529
D628,489	S	*	12/2010	Caten et al.	D9/572 X
D654,798	S	*	2/2012	Cota Castillo	D9/575 X

* cited by examiner

Primary Examiner — Carol P Rademaker

(74) *Attorney, Agent, or Firm* — Charles McCluskey

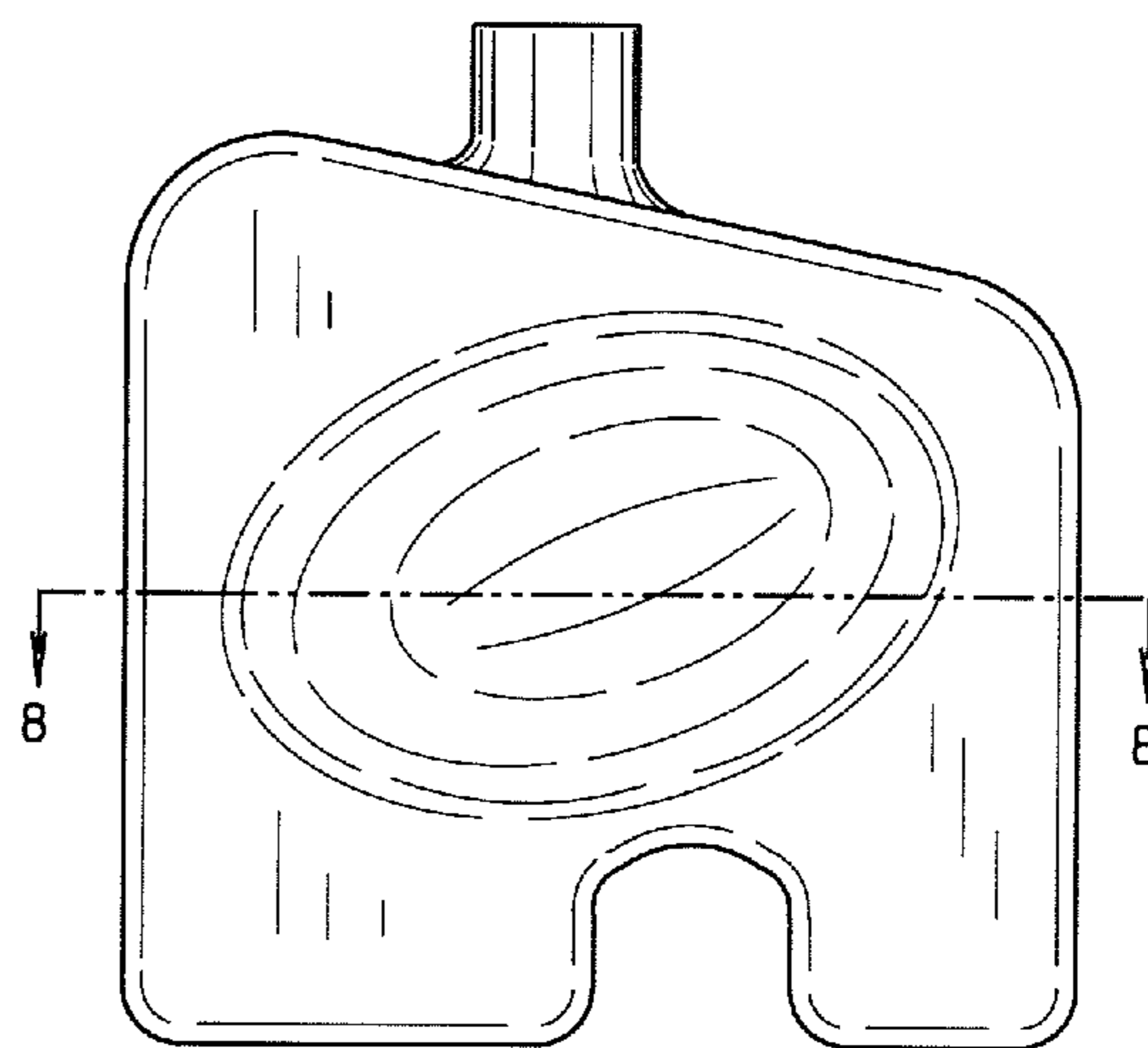
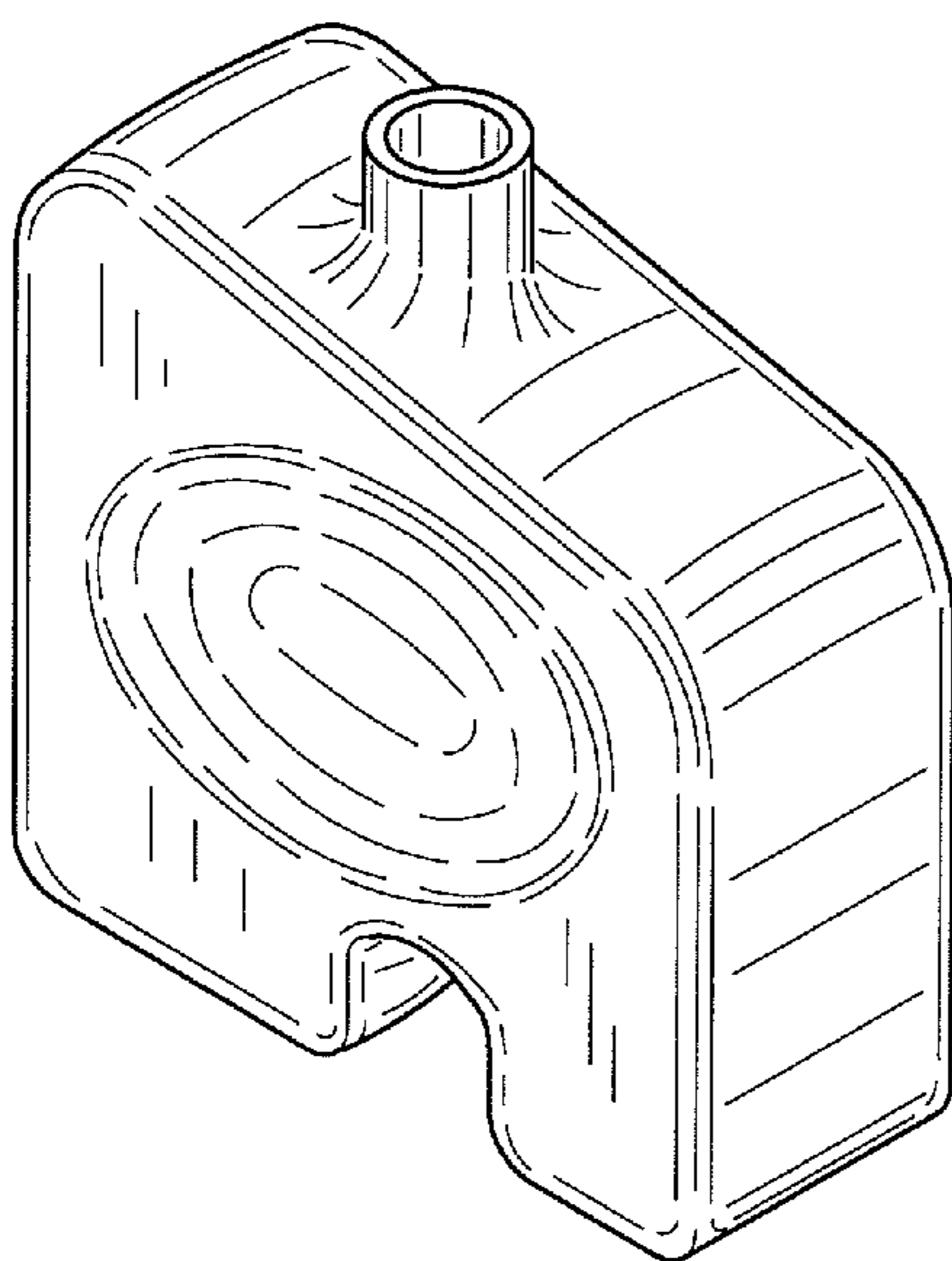
(57) **CLAIM**

The ornamental design for a bottle, as shown and described.

DESCRIPTION

FIG. 1 is a top, front, and right side perspective view of a bottle showing the new design;
FIG. 2 is a front elevational view thereof;
FIG. 3 is a rear elevational view thereof;
FIG. 4 is a left side elevational view thereof;
FIG. 5 is a right side elevational view thereof;
FIG. 6 is a top plan view thereof;
FIG. 7 is a bottom plan view thereof; and,
FIG. 8 is a sectional view showing Section 8-8 from FIG. 2 thereof.

1 Claim, 2 Drawing Sheets



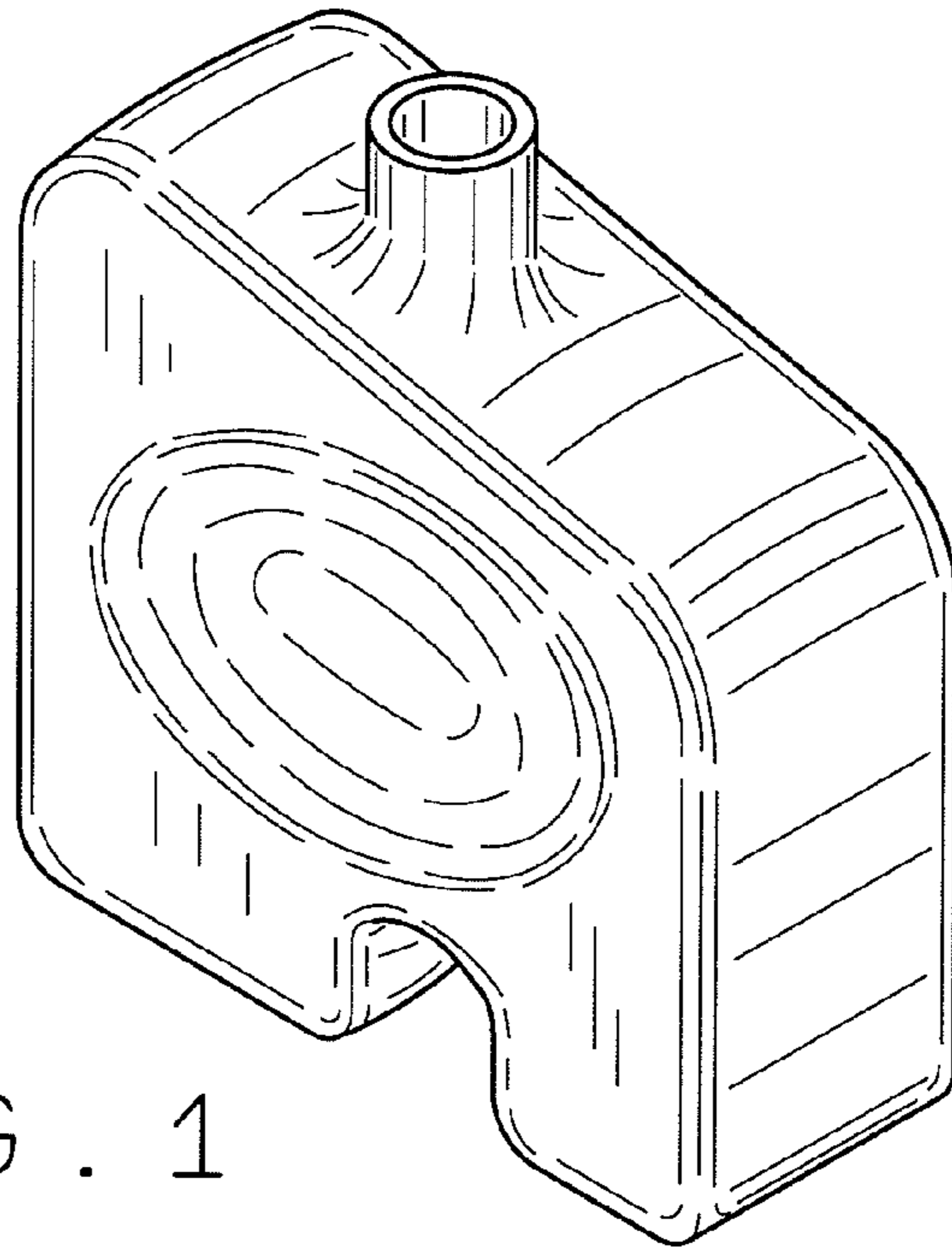


FIG. 1

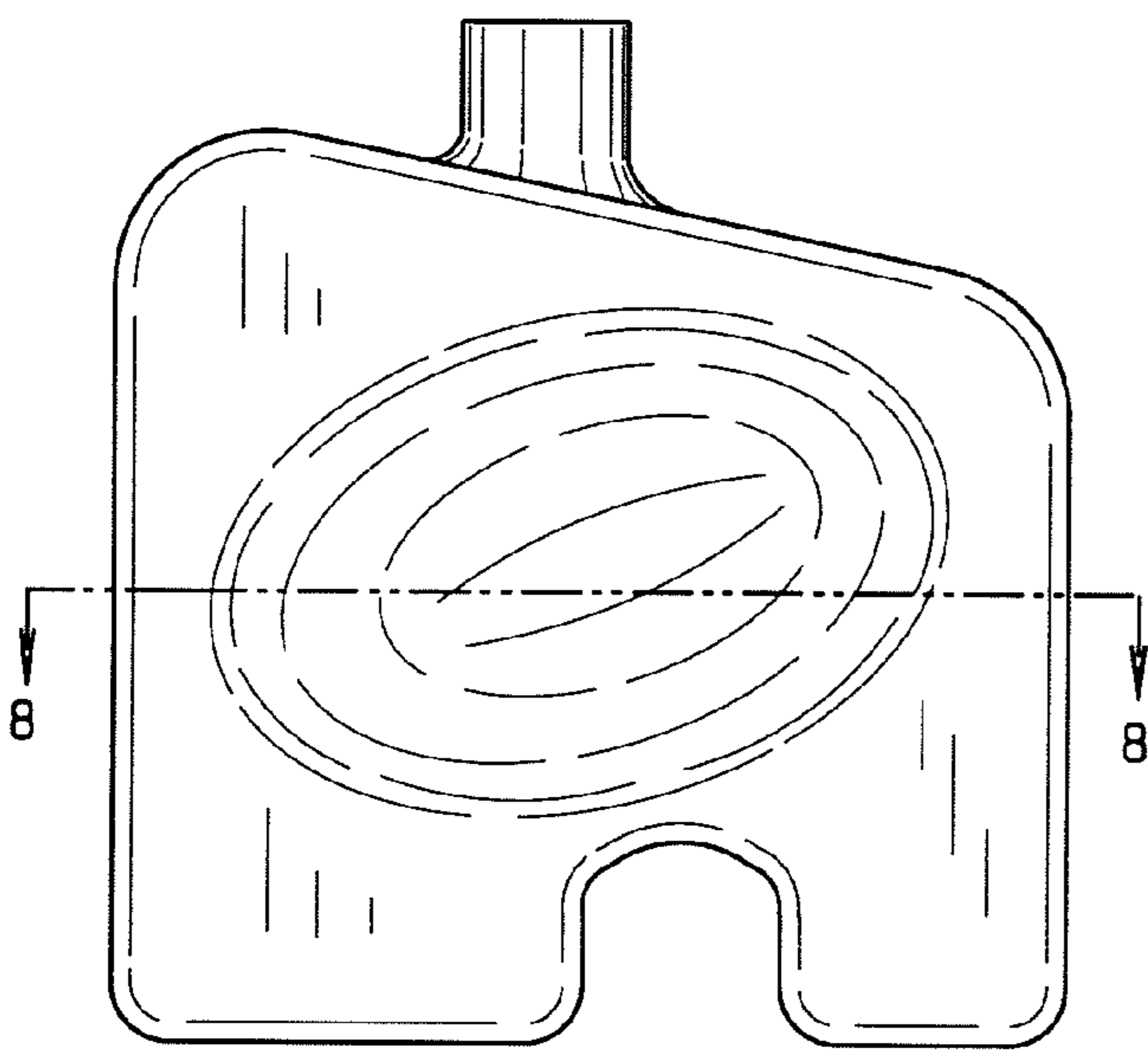


FIG. 2

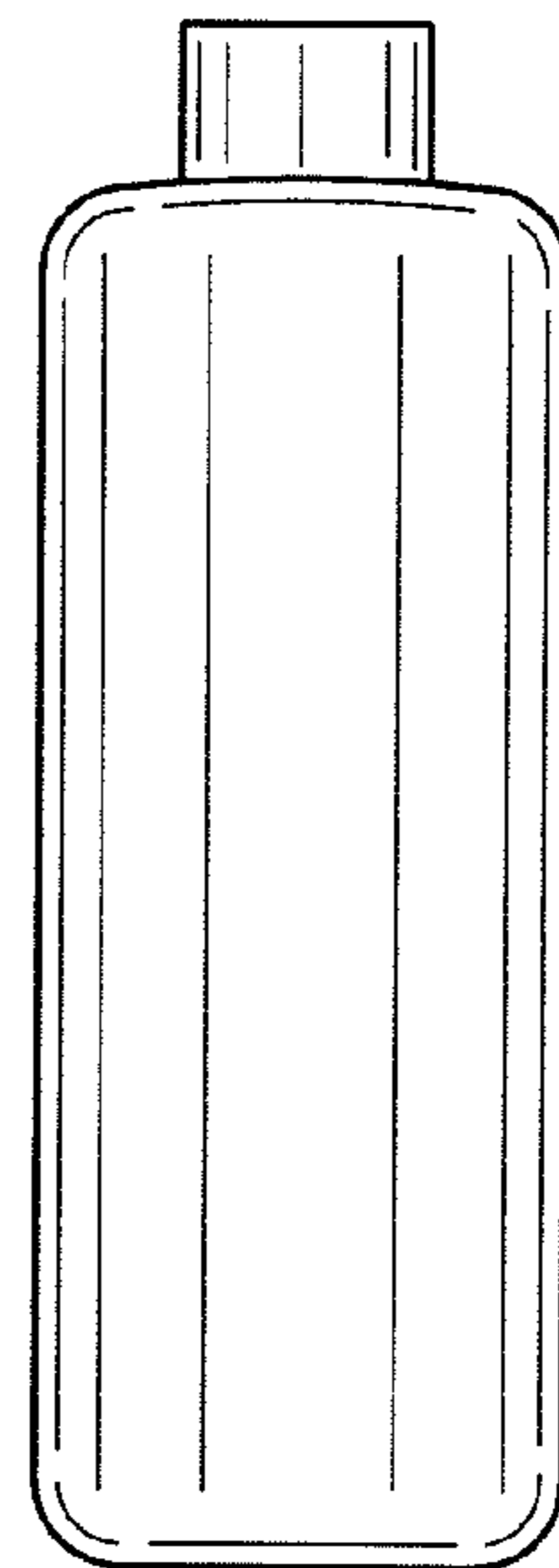


FIG. 4

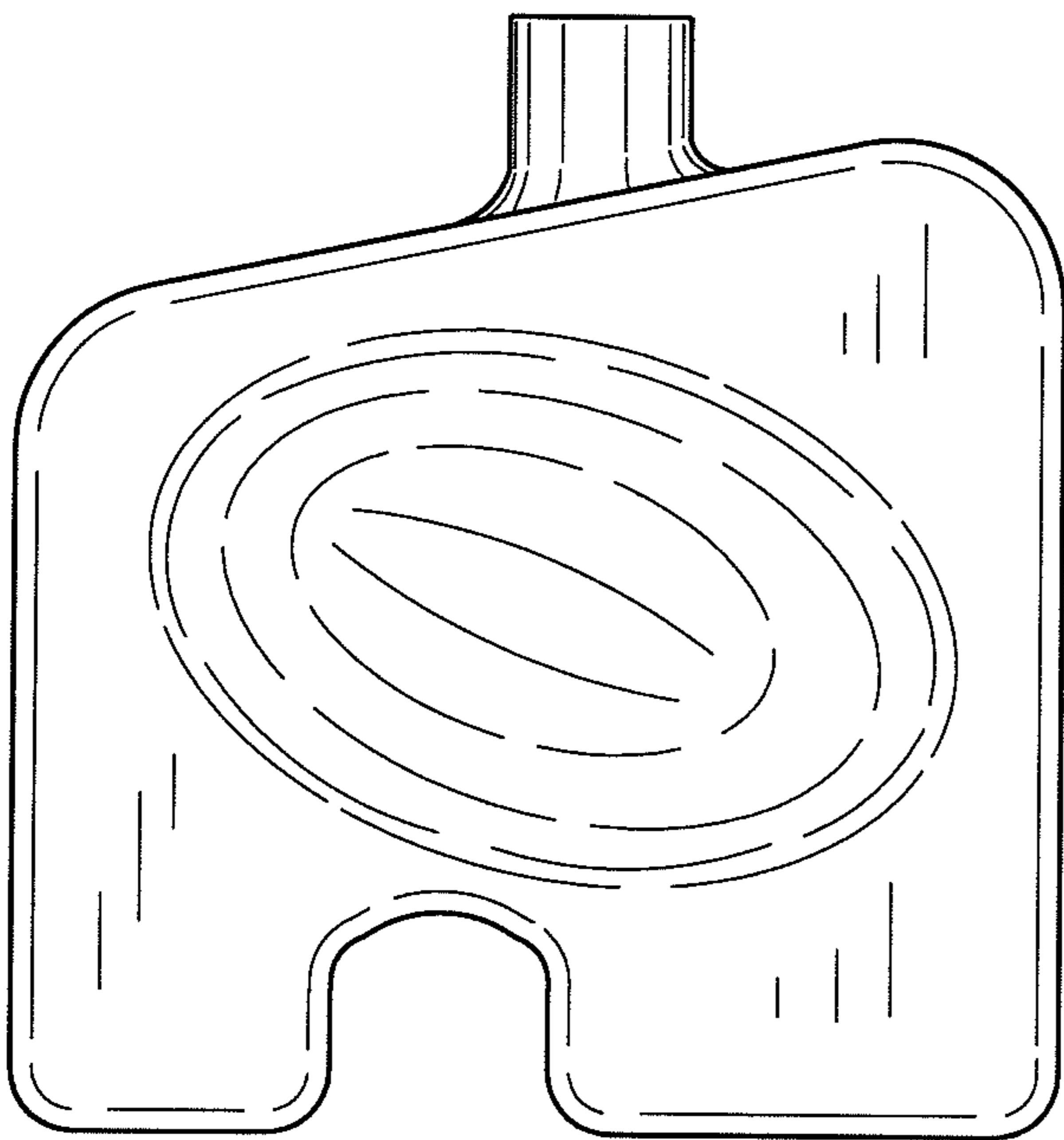


FIG. 3

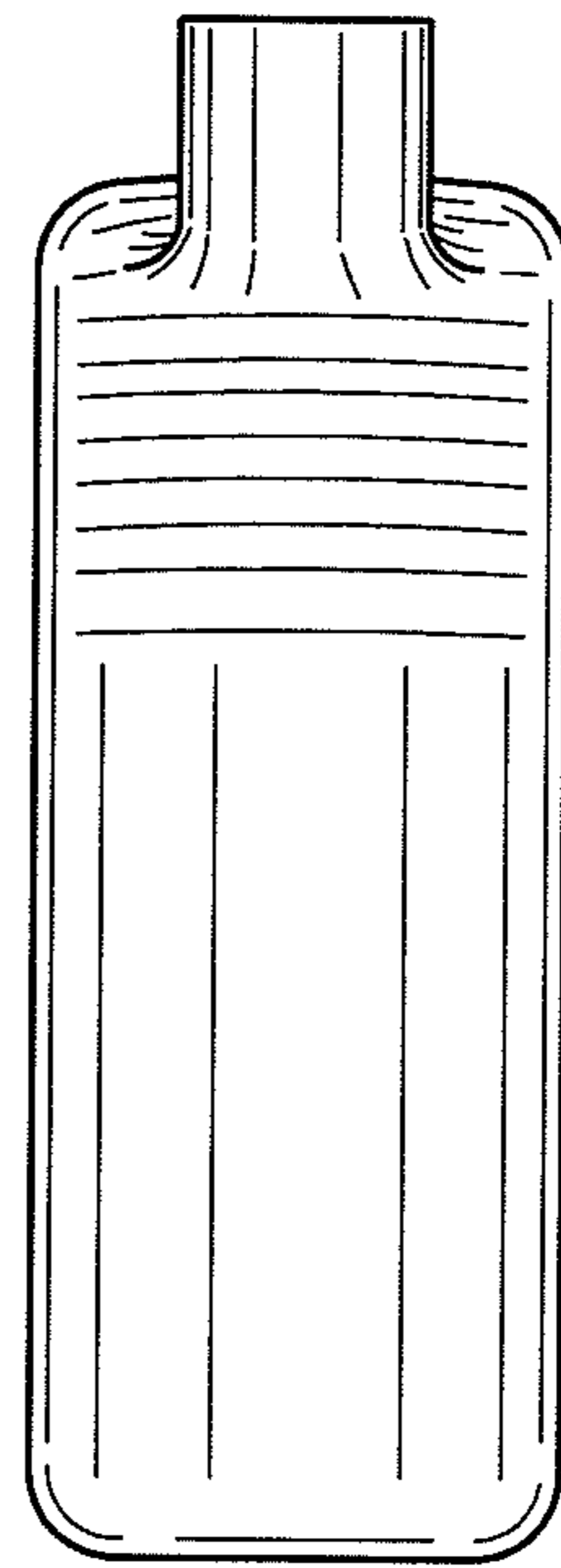


FIG. 5

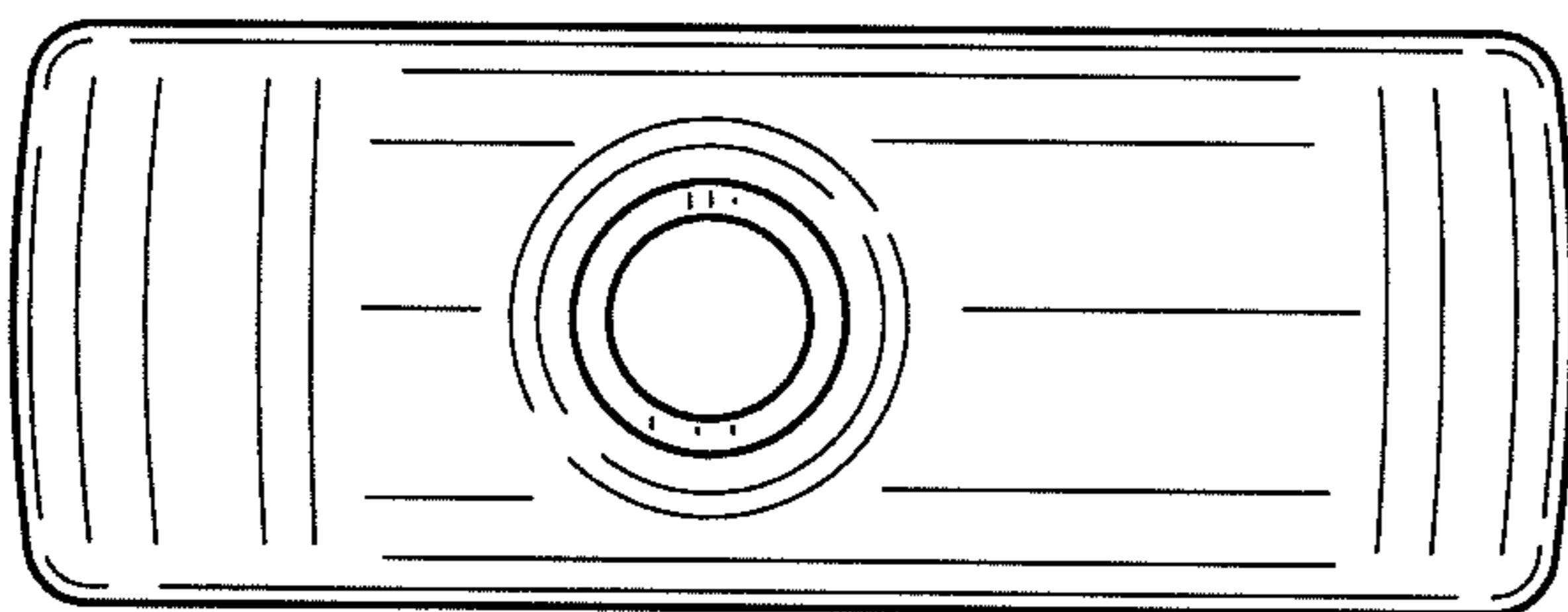


FIG. 6

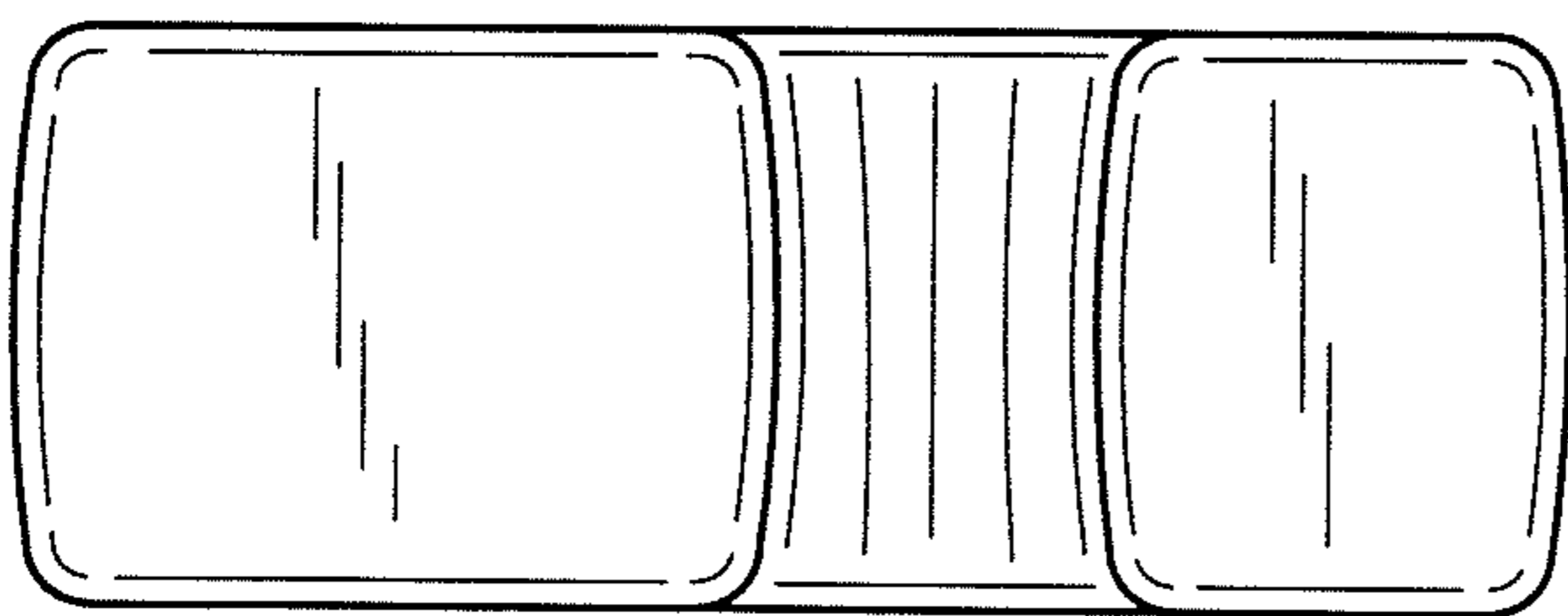


FIG. 7

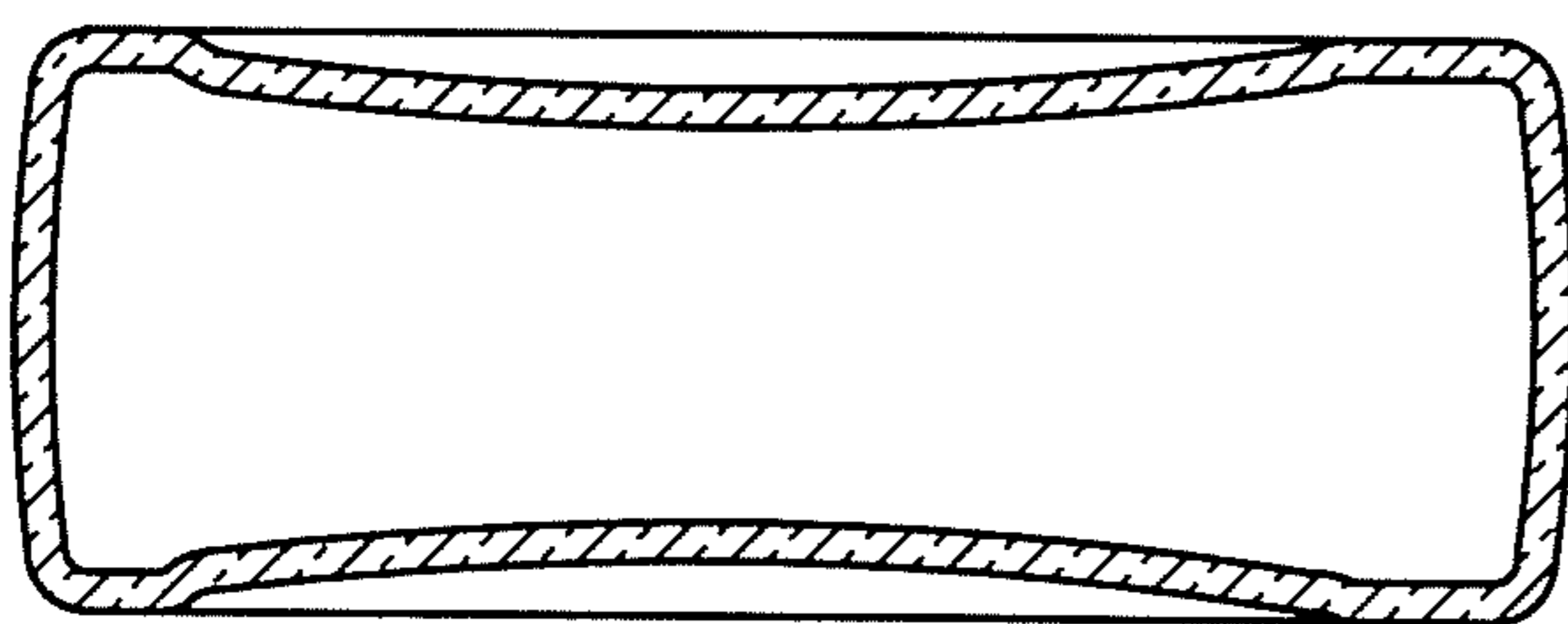


FIG. 8